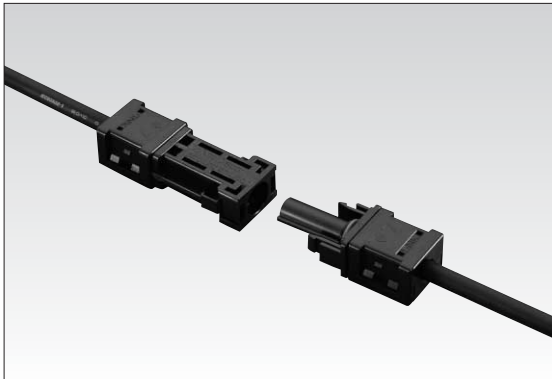


Connector for Photovoltaic Modules



■ Features

1. A connector for connection of Photovoltaic modules with cables.
2. Excellent contact performance due to our original multi-point contact structure.
3. The process for water proof being completed with easy operation without tool, due to our original water-tightness structure (top and bottom cover system).
4. Includes a locking mechanism. The locking section cannot be manually undone.
5. Large current capacity.
6. Copper alloy material with good electrical conductivity used.
7. Plastics of good weatherability and flame retardancy (UL94V-0) used.
8. TÜV recognized (UL recognition applied for).

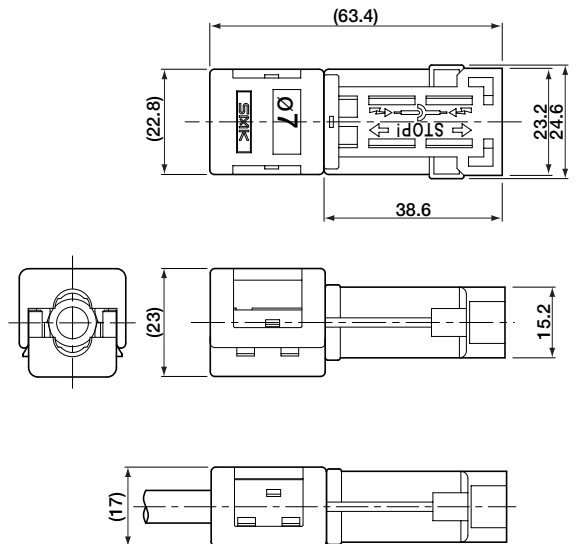
■ Specification

1. Rating : 30A, 600V/1000V
2. Operating Temperature Range : -40°C to +90°C
3. IP Protection Rating : IP67/IP2X(unmated)

■ Material and Plating

- Housing : Thermoplastic Resin, Black, 94V-0
- Cover : Thermoplastic Resin, Black, 94V-0

- Plug CCT9901-1801F
CTA9111-0101F (Terminal)



- Socket CCT9901-1901F
CTA9111-0201F (Terminal)

