

1. FEATURES

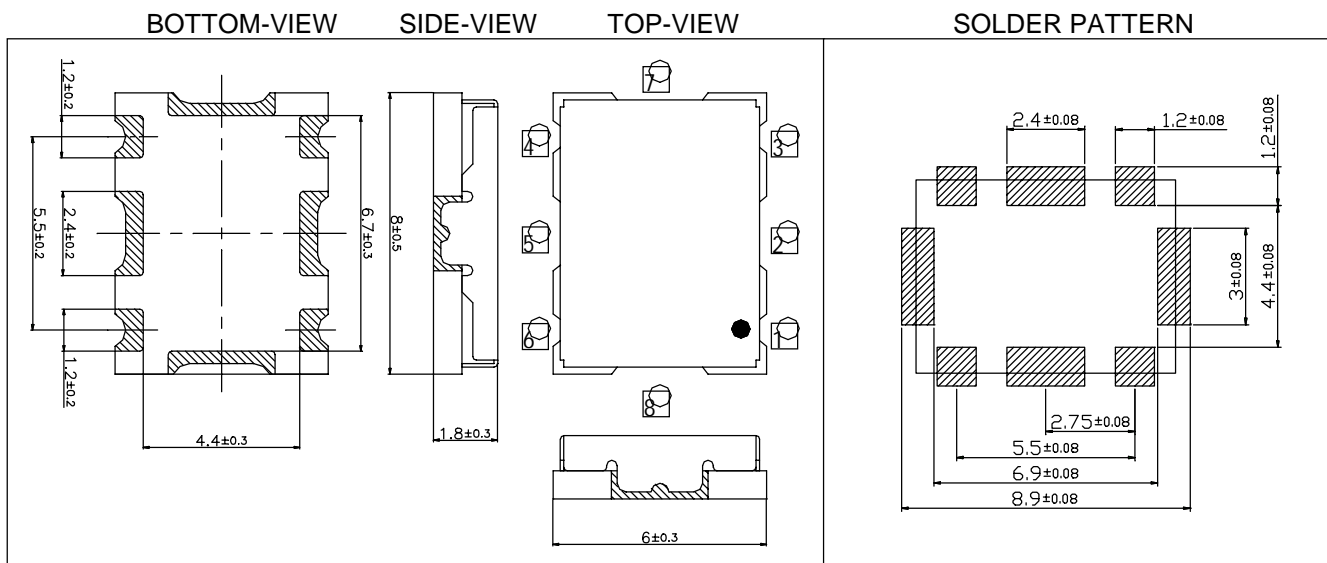
- Frequency Range up to 2.5 GHz
- Super Compact SMT-Package: 8.0 x 6.0 [mm]
- Low Profile: 2.0 [mm]

2. APPLICATIONS

- PCS
- VSAT
- DECT
- CDMA
- GSM
- CATV
- WLAN
- GPRS



3. MECHANICAL SPECIFICATION



4. ELECTRICAL SPECIFICATION

PARAMETER	CONDITIONS	SYMBOL	MIN	TYP	MAX	UNIT
Frequency Range	available range, contact Raltron	fo(Vt)	1000		2500	MHz
Supply Voltage	available range, contact Raltron	Vcc	2.2		12.0	V
Supply Current	-	Icc		12		mA
Output Power	over specified frequency range	Pout	-3±3		0±3	dBm
Load Impedance	-	Z load		50		Ohms
Tuning Voltage	available range, contact Raltron	Vt	0~2.5		0~16	V
Tuning Sensitivity	over specified Vt-range	df/dVt		15		MHz/V
Pushing Sensitivity	over specified Vcc range	df/dVcc		10		MHz/V
Pulling Sensitivity	14dB load return loss, all phases	df/dZload		10		MHz
Input Capacitance	input capacitance of tuning port	Cin		15		pF
Harmonic Suppression	second harmonic	a(2fo)		-15		dBc
Phase Noise	10kHz offset, 1Hz Bandwidth	L(df)		-98		dBc/Hz
Operating Temp.	-	Top	-40		+85	°C

5. NOTES

- Package is non-hermetic, substrate-material glass-reinforced laminate and nickel-silver cover.
- It is recommended to provide two bypass-capacitors (ceramic) from Vcc to Ground, 1nF parallel 100pF.