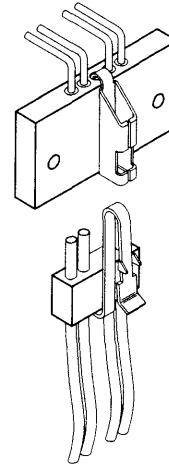


MA-1D1-004-325-0300



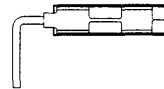
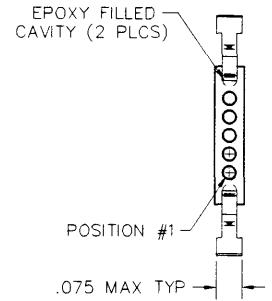
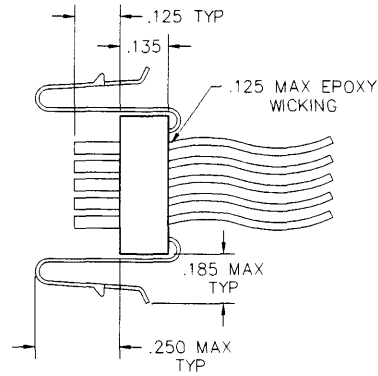
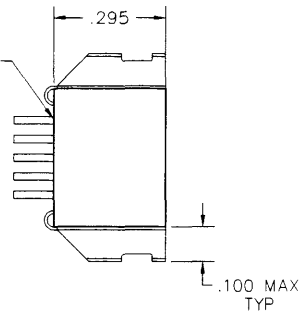
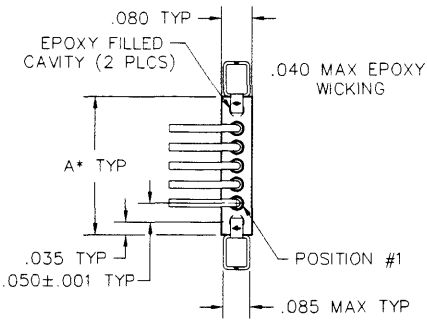
1 • ROW Strip Connectors Board to Cable

.050"

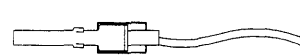
MA-1

1 thru 60 Contacts

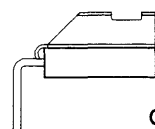
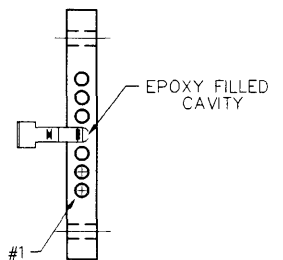
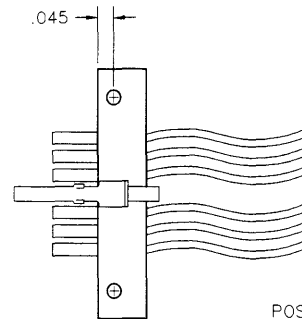
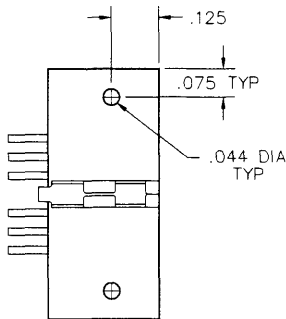
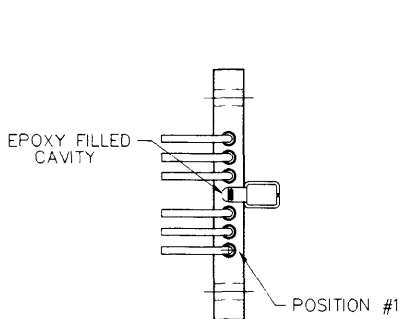
MA-141-004-261-03WS



PLUG



RECEPTACLE

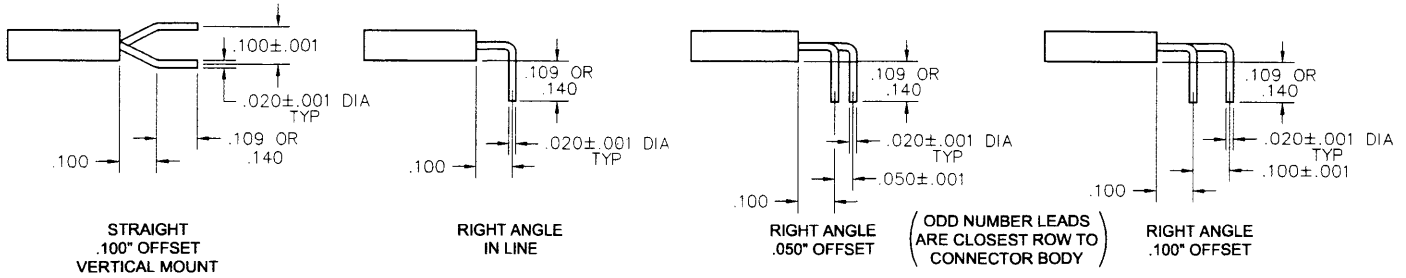


OPTIONAL MOUNTING HOLES



DIMENSIONS	
To determine connector length (Dim "A"):	
Multiply the number of contact cavities in one row by .050" "
Add fixed end lengths (constant) 0.02"
Add .150" for each mounting hole "
Total Length: "
Notes:	
Length over 2" may require support to insure alignment.	
When using one lock screw, use centermost available hole.	
* = Maximum length is 3.020". Maximum number of contacts must be reduced to accommodate hardware and mounting holes.	

LEAD CONFIGURATION OPTIONS



PLUG: MA-1D1-004-325-0300

RECEPTACLE: MA-141-004-261-03WS

XX-XXX-XXX-XXX-XXXX

PLUG

RECEPTACLE

SERIES	
MA .050" Microminiature Strip Connector	MA .050" Microminiature Strip Connector
BODY	
1 1-Row	1 1-Row
BODY STYLE: (Material: Polyphenylene sulfide)	BODY STYLE: (Material: Polyphenylene sulfide)
11 Plug, straight, with mounting holes	21 Receptacle, straight, with mounting holes
31 Plug, straight, without mounting holes	41 Receptacle, straight, without mounting holes
51 Plug, right angle, .050" offset, with mounting holes	61 Receptacle, right angle, .050" offset, with mounting holes
71 Plug, right angle, .100" offset, with mounting holes	81 Receptacle, right angle, .100" offset, with mounting holes
91 Plug, right angle, .050" offset, without mounting holes	A1 Receptacle, right angle, .050" offset, without mounting holes
B1 Plug, right angle, .100" offset, without mounting holes	C1 Receptacle, right angle, .100" offset, without mounting holes
D1 Plug, right angle, in line, with mounting holes	E1 Receptacle, right angle, in line, with mounting holes
F1 Plug, right angle, in line, without mounting holes	G1 Receptacle, right angle, in line, without mounting holes
H1 Plug, straight, .100" offset, without mounting holes	J1 Receptacle, straight, .100" offset, without mounting holes

SIZE

XXX Number of contacts (001 - 060)

XXX Number of contacts (001 - 060)

Note: Maximum number of contacts is reduced when using hardware or mounting holes. See dimension chart on M-13.

CONTACTS

TYPE CONTACTS/TERMINATIONS:	TYPE CONTACTS/TERMINATIONS:
11 Pin, straight, solder cup	21 Socket, straight, solder cup
12 Pin, straight, dip solder, .109"	22 Socket, straight, dip solder, .109"
13 Pin, straight, dip solder, .140"	23 Socket, straight, dip solder, .140"
14 Pin, straight, .500" pigtails (.018 dia)	24 Socket, straight, .500" pigtails (.018 dia)
15 Pin, straight, 1.000" pigtails (.018 dia)	25 Socket, straight, 1.000" pigtails (.018 dia)
16 Pin, straight, crimped wire	26 Socket, straight, crimped wire
32 Pin, right angle, dip solder, .109"	43 Socket, right angle, dip solder, .109"
33 Pin, right angle, dip solder, .140"	44 Socket, right angle, dip solder, .140"
PLATING OPTIONS:	PLATING OPTIONS:
1 50 μ" Au contacts (crimp wire)	1 50 μ" Au contacts (crimp wire)
3 50 μ" Au contacts; 10 μ" Au terminations (solder cup, pigtail)	3 50 μ" Au contacts; 10 μ" Au terminations (solder cup, pigtail)
5 50 μ" Au contacts; 100 μ" Sn terminations (dip solder, pigtail)	5 50 μ" Au contacts; 100 μ" Sn terminations (dip solder, pigtail)

HARDWARE

STYLE OF HARDWARE:	STYLE OF HARDWARE:
00 None	00 None
01-60 Latch box, side mounted (cavity number location) See page M-19	01-60 Latch spring, side mounted (cavity number location) See page M-19
50 Latch boxes (two end cavities). See page M-19	51 Latch springs (two end cavities). See page M-19
64 One guide hole (centered)*	61 One guide pin (centered)*
65 One guide hole (position #1)	62 One guide pin (position #1)
66 One guide hole (end cavity opposite position #1)	63 One guide pin (end cavity opposite position #1)
68 Two guide holes (two end cavities)	67 Two guide pins (two end cavities)
69 One threaded hole (centered)*	72 One lockscrew (centered)*
HX One guide hole (cavity #2 - #9)	PX One guide pin (cavity #2 - #9)
TX One threaded hole (cavity #2 - #9)	LX One lockscrew (cavity #2 - #9)
POLARIZATION / WIRING:	POLARIZATION / WIRING
00 None	00 None
WX For wiring codes, see pages M-73 & M-74	WX For wiring codes, see pages M-73 & M-74

* = To determine location, divide the total number of contact cavities by two and round to the next whole number.