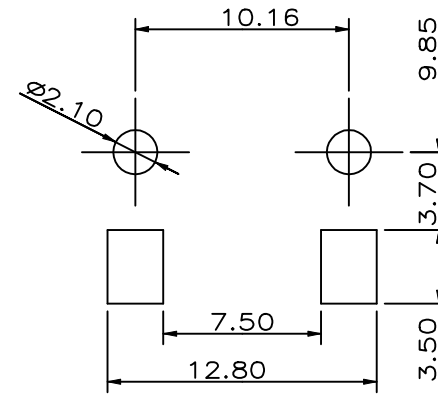
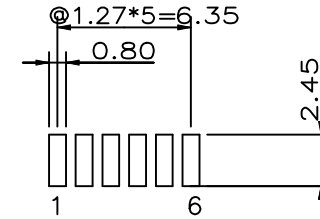
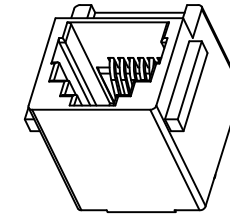
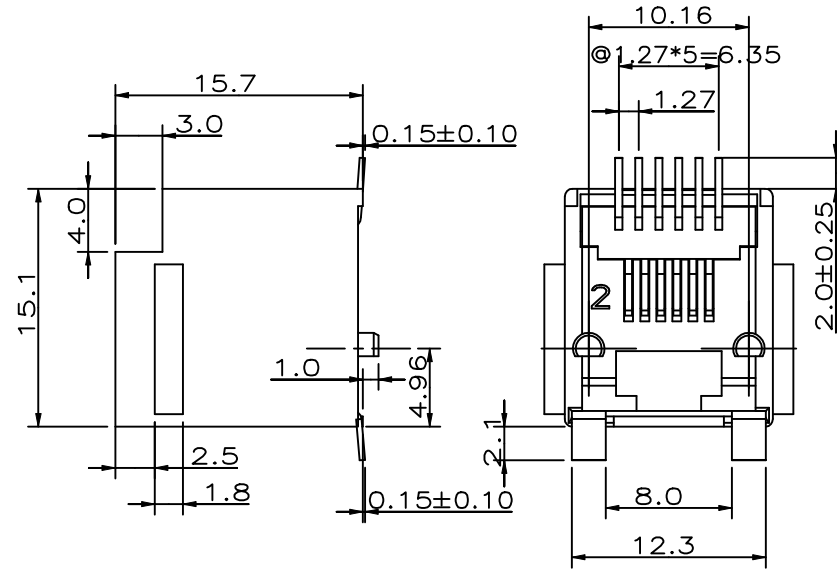
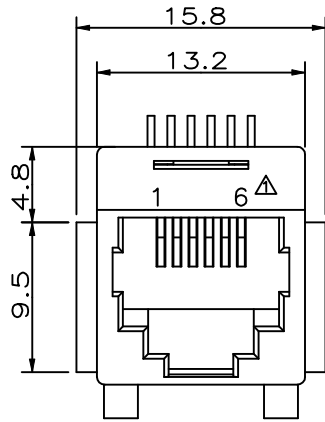


A1RFRD10

REVISION RECORD				
REV	ECO	DESCRIPTION	DRFT	CHKD
△		DRAWING MODIFY	CZH 1/23/02	
△		NOTES MODIFY	PPF 02/28/02	
△		NOTES MODIFY	Among 11/01/04	
△		NOTES MODIFY	SAMMY 01/28/05	



PCB LAYOUT COMPONENT SIDE SHOWN

NOTES:

ELECTRICAL:

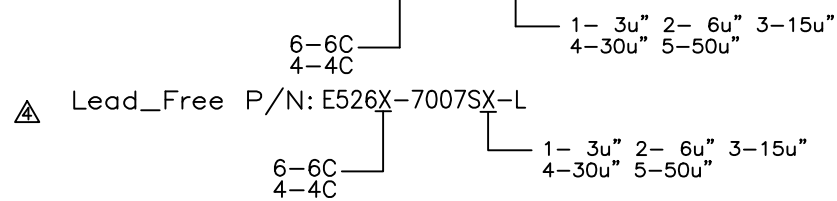
- VOLTAGE RATING : 125 VAC RMS.
- CURRENT RATING : 1.5 AMP.
- CONTACT RESISTANCE 35 MILLIOHMS MAX.
- INSULATION RESISTANCE: 1000 MEGOHMS MIN @ 500 VDC.
- DIELECTRIC STRENGTH : 1000 VAC RMS 60Hz, 1MIN.

MECHANICAL:

- HOUSING MATERIAL : GLASS FILLED POLYESTER UL94V-0.
- CONTACT MATERIAL : PHOSPHOR BRONZE t=0.35mm.
- PLATING : GOLD PLATING OVER NICKEL.
- OPERATING LIFE : 750 CYCLES MIN.
- PCB RETENTION POST-SOLDER: 10 LBS MIN.

ENVIRONMENTAL:

- STORAGE : -40°C TO +85°C.
 - OPERATION: -40°C TO +85°C.
- MATES WITH MODULAR PLUG CONFORMING TO FCC PART 68, SUBPART F.
 CUL FILE NO: E163191
 PART NUMBER: E526X-7007SX



← MM →		DFTO Garvey DATE 18-Jan-01	
DETACHED LISTS	TOLERANCES EXCEPT AS NOTED	CHKD GMM/PU	DATE 2005/1/25
	.0 ± 0.2	MFO	DATE
	.00 ± 0.15	APPLVLSHENG	DATE 2005/1/25
	.000 ± 0.075	MATERIAL :	
ANGLES ± 0.5	QTY :		
THIRD ANGLE PROJECTION	FINISH :		
	SCALE : 3:1		

FULL RISE ELECTRONIC CO., LTD			
TITLE TOP ENTRY PCB JACK 6P (SMT)			
DRAWING NO. GE523A33		SIZE	REV
/PART NO. SEE NOTE		A3	4
DO NOT SCALE DRAWING		SHEET	1 OF 1