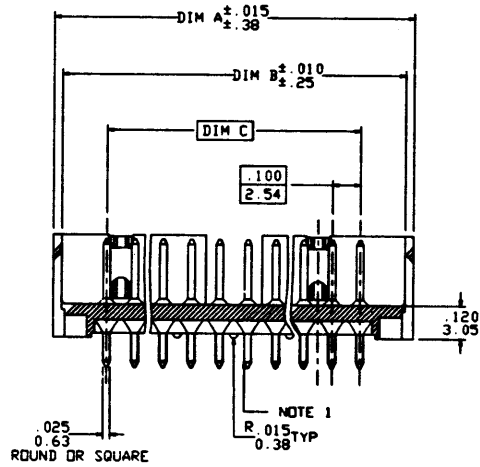
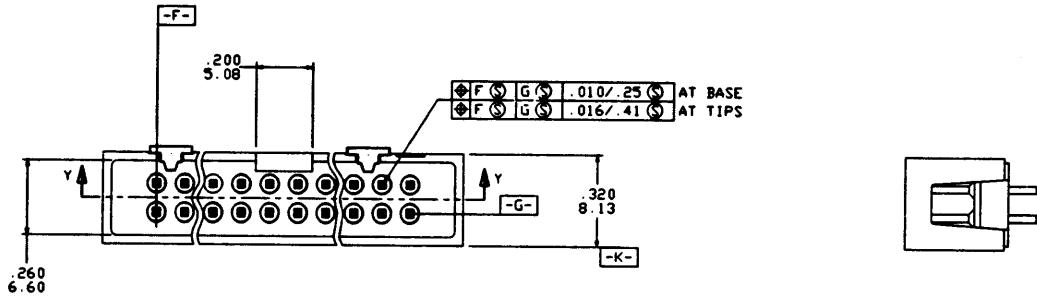
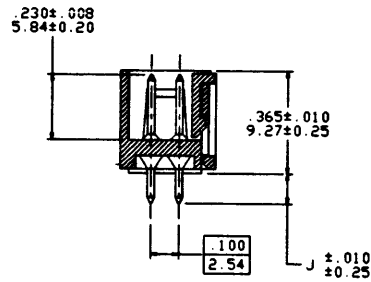


PRODUCT NUMBER

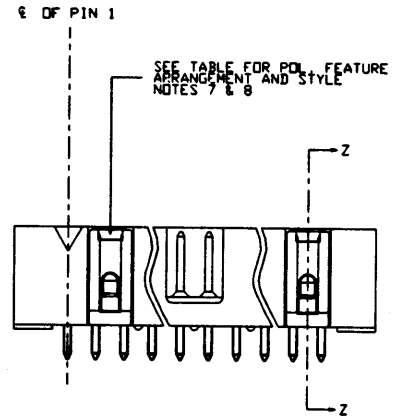
68794



SECTION Y-Y



SECTION Z-Z



REVISIONS				SHEET INDEX	ISSUE								MAY	UN	DATE	CUSTOMER COPY
REV	ECN/DDR#	BY	DATE		SH NO.	1	2	3	4	5	6	7				
A	APPR'D	JWB	8/1/90													
B	ADD WINDOW	AR	1/29/91													
C	V41733	LSS	12/21/94													
D	V50166	LSS	2/9/95													
					TOLERANCES UNLESS OTHERWISE SPECIFIED											
					.002 .01 / .02 3											
					.0002 .005 / .002 13											
					.00002 .0020 / .0002 051											
					ANGLES 0± 7											
					DATE CODE 22526											
					APPRO M.SMYK 8/1/90											

**BERG**  
ELECTRONICS

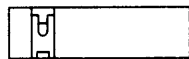
HEADER QUICKIE SLIM LINE  
VERTICAL 4 WALLED

SCALE: 5:1 D  
SIZE: D  
DWG. NO.: 68794  
SHEET: 1 of 8

NOTE: THIS DOCUMENT IS THE PROPERTY OF AND ENCODES PROPRIETARY INFORMATION OF BERG ELECTRONICS, INC. NO PART OF THE INFORMATION SHOWN ON THIS DOCUMENT MAY BE USED IN ANY WAY WITHOUT THE WRITTEN CONSENT OF BERG ELECTRONICS, INC. FORM E-3067 REV 8/93

PRODUCT NUMBER

68794



2 x 5  
STYLE B



2 x 7  
STYLE C



2 x 8 THUR 2 x 30  
STYLE D

NOTES:

- ① SAME PIN POSITION TOLERANCE APPLIES TO BOTH ENDS OF EACH TERMINAL.
- ② MOLDING MATERIAL: 30% GLASS-FILLED POLYESTER, FLAME RETARDANT PER UL-94-V0 COLOR: BLUE.
3. 1° MAX DRAFT PERMISSIBLE ON ALL SURFACES.
4. 4 POUNDS / 1.8 KILOGRAMS MIN. TERMINAL PULL-OUT FORCE.
5. TERMINAL MATERIAL: 3/4 HARD PHOSPHORUS BRONZE.
6. POLARIZING KEYS INSTALLED IN HEADERS.
- ⑦ THIS PRODUCT IS MADE FROM HEADER NO. 66506 AND POLARIZING KEY NO. 66423.
- ⑧ MOLDED-IN KEYS ARE MANUFACTURER'S OPTION.

REVISIONS				SHEET INDEX	ISSUE				CUSTOMER COPY	TITLE
REV	ECN/DDR#	BY	DATE		SH NO.					
C										<b>BERG ELECTRONICS</b> HEADER QUICKIE SLIM LINE VERTICAL 4 WALLED THIRD ANGLE PROJ SCALE: SIZE DWG. NO. SHEET 1:1 D 68794 2 OF FORM E-3067 REV 8/93
				TOLERANCES UNLESS OTHERWISE SPECIFIED				MAY ENGR J.W. BAIR 8/1/90 FINISH ENGR M.SMYK 7/9/90		
				LINEAR 000± 005 / 000± 013				PRODUCTIVITY CHK M.SMYK 7/9/90 APPD M.SMYK 7/9/90		
				ANGLES 0± 2				CASE TIME 22526 M.SMYK 7/9/90		
								UNIT INCH MM		

NOTE: THIS DOCUMENT IS THE PROPERTY OF AND EMBODIES PROPRIETARY INFORMATION OF BERG ELECTRONICS, INC. NO PART OF THE INFORMATION SHOWN ON THIS DOCUMENT MAY BE USED IN ANY WAY WITHOUT THE WRITTEN CONSENT OF BERG ELECTRONICS, INC.

PRODUCT NUMBER	SIZE	STYLE	DIM A	DIM B	DIM C	DIM J	TERMINAL PLATING	TERM TYPE	CUSTOMER RESTRICTED
68794-001							UNASSIGNED		
-002							UNASSIGNED		
-003							UNASSIGNED		
-004							UNASSIGNED		
-005							UNASSIGNED		
-006							UNASSIGNED		
-007	2 x 10	D	1.28/32.5	1.22/31.0	.900/22.86	.105/2.67	30U*/.76u Au OVER 50u*/1.27u Ni	ROUND	NO
-008	2 x 10		1.28/32.5	1.22/31.0	.900/22.86	.150/3.81	30U*/.76u Au OVER 50u*/1.27u Ni	ROUND	
-009	2 x 10		1.28/32.5	1.22/31.0	.900/22.86	.675/17.15	30U*/.76u Au OVER 50u*/1.27u Ni	SQ	
-010	2 x 10		1.28/32.5	1.22/31.0	.900/22.86	.105/2.67	150u*/3.81u Sn	SQ	
-011	2 x 10		1.28/32.5	1.22/31.0	.900/22.86	.150/3.81	150u*/3.81u Sn	SQ	
-012	2 x 10		1.28/32.5	1.22/31.0	.900/22.86	.675/17.15	150u*/3.81u Sn	SQ	
-013	2 x 13		1.58/40.1	1.52/38.6	1.200/30.48	.105/2.67	30U*/.76u Au OVER 50u*/1.27u Ni	ROUND	
-014	2 x 13		1.58/40.1	1.52/38.6	1.200/30.48	.150/3.81	30U*/.76u Au OVER 50u*/1.27u Ni	ROUND	
-015	2 x 13		1.58/40.1	1.52/38.6	1.200/30.48	.675/17.15	30U*/.76u Au OVER 50u*/1.27u Ni	SQ	
-016	2 x 13		1.58/40.1	1.52/38.6	1.200/30.48	.105/2.67	150u*/3.81u Sn	SQ	
-017	2 x 13		1.58/40.1	1.52/38.6	1.200/30.48	.150/3.81	150u*/3.81u Sn	SQ	
-018	2 x 13		1.58/40.1	1.52/38.6	1.200/30.48	.675/17.15	150u*/3.81u Sn		
-019	2 x 17		1.98/50.3	1.92/48.8	1.600/40.64	.105/2.67	30U*/.76u Au OVER 50u*/1.27u Ni	ROUND	
-020	2 x 17		1.98/50.3	1.92/48.8	1.600/40.64	.150/3.81	30U*/.76u Au OVER 50u*/1.27u Ni	ROUND	
-021	2 x 17		1.98/50.3	1.92/48.8	1.600/40.64	.675/17.15	30U*/.76u Au OVER 50u*/1.27u Ni	SQ	
-022	2 x 17		1.98/50.3	1.92/48.8	1.600/40.64	.105/2.67	150u*/3.81u Sn	SQ	
-023	2 x 17		1.98/50.3	1.92/48.8	1.600/40.64	.150/3.81	150u*/3.81u Sn	SQ	
-024	2 x 17		1.98/50.3	1.92/48.8	1.600/40.64	.675/17.15	150u*/3.81u Sn	SQ	
-025	2 x 20		2.28/57.9	2.22/56.4	1.900/48.26	.105/2.67	30U*/.76u Au OVER 50u*/1.27u Ni	ROUND	
-026	2 x 20		2.28/57.9	2.22/56.4	1.900/48.26	.150/3.81	30U*/.76u Au OVER 50u*/1.27u Ni	ROUND	
-027	2 x 20		2.28/57.9	2.22/56.4	1.900/48.26	.675/17.15	30U*/.76u Au OVER 50u*/1.27u Ni	SQ	
-028	2 x 20		2.28/57.9	2.22/56.4	1.900/48.26	.105/2.67	150u*/3.81u Sn	SQ	
-029	2 x 20		2.28/57.9	2.22/56.4	1.900/48.26	.150/3.81	150u*/3.81u Sn	SQ	
-030	2 x 20		2.28/57.9	2.22/56.4	1.900/48.26	.675/17.15	150u*/3.81u Sn	SQ	
-031	2 x 25		2.78/70.6	2.72/69.1	2.400/60.96	.105/2.67	30U*/.76u Au OVER 50u*/1.27u Ni	ROUND	
-032	2 x 25		2.78/70.6	2.72/69.1	2.400/60.96	.150/3.81	30U*/.76u Au OVER 50u*/1.27u Ni	ROUND	
-033	2 x 25		2.78/70.6	2.72/69.1	2.400/60.96	.675/17.15	30U*/.76u Au OVER 50u*/1.27u Ni	SQ	
-034	2 x 25		2.78/70.6	2.72/69.1	2.400/60.96	.105/2.67	150u*/3.81u Sn	SQ	
66506-035	2 x 25	D	2.78/70.6	2.72/69.1	2.400/60.96	.150/3.81	150u*/3.81u Sn	SQ	NO

REVISIONS				SHEET INDEX	ISSUE SH NO.	CUSTOMER			
REV	ECH/DDR#	BY	DATE			ENGR	CHK	APPD	DATE
A					1				
				TOLERANCES UNLESS OTHERWISE SPECIFIED	MAT	FINISH	DRN	J.W. BAIR	8/1/90
				LINEAR	000± 01 / 0± 3	PRODUCT FAMILY	CHK	M.SMYK	8/1/90
				ANGLES	0± 7	CAGE CODE	22526	APPD	M.SMYK
								UNIT	INCH



TITLE				CUSTOMER COPY			
HEADER QUICKIE SLIM LINE VERTICAL, 4 WALLED							
SCALE	SIZE	LONG NO.	SHEET				
1:1	D	68794	3 of				

NOTE: THIS DOCUMENT IS THE PROPERTY OF AND EMBODIES PROPRIETARY INFORMATION OF BERG ELECTRONICS, INC. NO PART OF THE INFORMATION SHOWN ON THIS DOCUMENT MAY BE USED IN ANY WAY WITHOUT THE WRITTEN CONSENT OF BERG ELECTRONICS, INC. FORM E-3067 REV 8/93

PRODUCT NUMBER	SIZE	STYLE	DIM A	DIM B	DIM C	DIM J	TERMINAL PLATING	TERM TYPE	CUSTOMER RESTRICTED
68794-036	2 X 25	D	2.78/70.6	2.72/69.1	2.400/60.96	.675/17.15	150u"/3.81u TIN	SQUARE	NO
-037	2 X 7	C	.98/24.9	.92/23.4	.600/15.24	.105/2.67	30u"/0.76u Au OVER 50u"/1.27u Ni	ROUND	
-038	2 X 7					.150/3.81	30u"/0.76u Au OVER 50u"/1.27u Ni	ROUND	
-039	2 X 7					.675/17.15	30u"/0.76u Au OVER 50u"/1.27u Ni	SQUARE	
-040	2 X 7					.105/2.67	150u"/3.81u TIN	SQUARE	
-041	2 X 7					.150/3.81	150u"/3.81u TIN	SQUARE	
-042	2 X 7	C	.98/24.9	.92/23.4	.600/15.24	.675/17.15	150u"/3.81u TIN	SQUARE	
-043	2 X 8	D	1.08/27.4	1.02/25.9	.700/17.78	.105/2.67	30u"/0.76u Au OVER 50u"/1.27u Ni	ROUND	
-044	2 X 8					.150/3.81	30u"/0.76u Au OVER 50u"/1.27u Ni	ROUND	
-045	2 X 8					.675/17.15	30u"/0.76u Au OVER 50u"/1.27u Ni	SQUARE	
-046	2 X 8					.105/2.67	150u"/3.81u TIN	SQUARE	
-047	2 X 8					.150/3.81	150u"/3.81u TIN	SQUARE	
-048	2 X 8	D	1.08/27.4	1.02/25.9	.700/17.78	.675/17.15	150u"/3.81u TIN	SQUARE	NO
-049	UNASSIGNED								
-050	2 X 10	D	1.28/32.5	1.22/31.0	.900/22.86	.150/3.81	30u"/.76u GXT WITH GOLD FLASH	ROUND	NO
-051	2 X 13	D	1.58/40.1	1.52/38.6	1.200/30.48				
-052	2 X 17	D	1.98/50.3	1.92/48.8	1.600/40.64				
-053	2 X 23	D	2.28/57.9	2.22/56.4	1.900/48.26				
-054	2 X 25	D	2.78/70.6	2.72/69.1	2.400/60.96				
-055	2 X 7	C	.98/24.9	.92/23.4	.600/15.24				
-056	2 X 8	D	1.08/27.4	1.02/25.9	.700/17.78	.150/3.81	30u"/.76u GXT WITH GOLD FLASH		
-057	2 X 30		3.28/83.3	3.22/81.8	2.900/73.66	.105/2.67	30u"/0.76u Au OVER 50u"/1.27u Ni		
-058	2 X 30					.150/3.81	30u"/0.76u Au OVER 50u"/1.27u Ni	ROUND	
-059	2 X 30					.675/17.15	30u"/0.76u Au OVER 50u"/1.27u Ni	SQUARE	
-060	2 X 30					.105/2.67	150u"/3.81u TIN	SQUARE	
-061	2 X 30					.150/3.81	150u"/3.81u TIN	SQUARE	
-062	2 X 30					.675/17.15	150u"/3.81u TIN	SQUARE	
-063	2 X 30					.105/2.67	30u"/.76u GXT WITH GOLD FLASH	ROUND	
-064	2 X 30					.150/3.81	30u"/.76u GXT WITH GOLD FLASH	ROUND	
-065	2 X 30	D	3.28/83.3	3.22/81.8	2.900/73.66	.675/17.15	30u"/.76u GXT WITH GOLD FLASH	SQUARE	
-066	UNASSIGNED								
-067	UNASSIGNED								
-068	2 X 7	C	.98/24.9	.92/23.4	.600/15.24	.105/2.67	30u"/.76u GXT WITH GOLD FLASH	ROUND	
-069	2 X 7	C	.98/24.9	.92/23.4	.600/15.24	.675/17.15	30u"/.76u GXT WITH GOLD FLASH	SQUARE	
68794-070	2 X 8	D	1.08/27.4	1.02/25.9	.700/17.78	.105/2.67	30u"/.76u GXT WITH GOLD FLASH	ROUND	NO

REVISIONS				SHEET INDEX	ISSUE								
REV	ECN/DDR#	BY	DATE	SH	NO.								
D													
TOLERANCES UNLESS OTHERWISE SPECIFIED						MAY	ENGR	J.W. BAIR	8/1/90	CUSTOMER COPY			
002 01 / 02 3						FINISH	ENGR	M.SMYK	8/1/90	TITLE			
LINEAR 0002 005 / 002 13						PRODUCT FAMILY	CHK	M.SMYL	8/1/90	HEADER QUICKIE SLIM LINE			
00002 0020 / 0002 051						CRK CODE	APPR	M.SMYK	8/1/90	VERTICAL 4 WALLED			
ANGLES 0/2						22526	UNIT	INCH	SCALE	SIZE	DWG. NO.	SHEET	
									1:1	D	68794	4 of 4	



NOTE: THIS DOCUMENT IS THE PROPERTY OF AND ENCLOSES PROPRIETARY INFORMATION OF BERG ELECTRONICS, INC. NO PART OF THE INFORMATION SHOWN ON THIS DOCUMENT MAY BE USED IN ANY WAY WITHOUT THE WRITTEN CONSENT OF BERG ELECTRONICS, INC. FORM E-3067 REV 8/93

PRODUCT NUMBER	SIZE	STYLE	DIM A	DIM B	DIM C	DIM J	TERMINAL PLATING	TERM TYPE	CUSTOMER RESTRICTED
68794-071	2 X 8	D	1.08/27.4	1.02/25.9	.700/17.78	.675/17.15	30u"/0.76u GXT WITH GOLD FLASH	SO	NO
-072	2 X 10		1.28/32.5	1.22/31.0	.900/22.86	.105/2.67		RD	
-073	2 X 10		1.28/32.5	1.22/31.0	.900/22.86	.675/17.15		SO	
-074	2 X 13		1.58/40.1	1.52/38.6	1.200/30.48	.105/2.67		RD	
-075	2 X 13		1.58/40.1	1.52/38.6	1.200/30.48	.675/17.15		SO	
-076	2 X 17		1.98/50.3	1.92/48.8	1.600/40.64	.105/2.67		RD	
-077	2 X 17		1.98/50.3	1.92/48.8	1.600/40.64	.675/17.15		SO	
-078	2 X 20		2.28/57.9	2.22/56.4	1.900/48.26	.105/2.67		RD	
-079	2 X 20		2.28/57.9	2.22/56.4	1.900/48.26	.675/17.15		SO	
-080	2 X 25		2.78/70.6	2.72/69.1	2.400/60.96	.105/2.67		RD	
-081	2 X 25	D	2.78/70.6	2.72/69.1	2.400/60.96	.675/17.15	30u"/0.76u GXT WITH GOLD FLASH	SO	
-082	UNASSIGNED								
-083	UNASSIGNED								
-084	UNASSIGNED								
-085	2 X 7	C	.98/24.9	.92/23.4	.600/15.24	.105/2.67	15u"/.38u Au OVER 50u"/1.27u Ni	RD	
-086	2 X 7	C	.98/24.9	.92/23.4	.600/15.24	.150/3.81		RD	
-087	2 X 7	C	.98/24.9	.92/23.4	.600/15.24	.675/17.15		SO	
-088	2 X 8	D	1.08/27.4	1.02/25.9	.700/17.78	.105/2.67		RD	
-089	2 X 8		1.08/27.4	1.02/25.9	.700/17.78	.150/3.81		RD	
-090	2 X 8		1.08/27.4	1.02/25.9	.700/17.78	.675/17.15		SO	
-091	2 X 10		1.28/32.5	1.22/31.0	.900/22.86	.105/2.67		RD	
-092	2 X 10		1.28/32.5	1.22/31.0	.900/22.86	.150/3.81		RD	
-093	2 X 10		1.28/32.5	1.22/31.0	.900/22.86	.675/17.15		SO	
-094	2 X 13		1.58/40.1	1.52/38.6	1.200/30.48	.105/2.67		RD	
-095	2 X 13		1.58/40.1	1.52/38.6	1.200/30.48	.150/3.81		RD	
-096	2 X 13		1.58/40.1	1.52/38.6	1.200/30.48	.675/17.15		SO	
-097	2 X 17		1.98/50.3	1.92/48.8	1.600/40.64	.105/2.67		RD	
-098	2 X 17		1.98/50.3	1.92/48.8	1.600/40.64	.150/3.81		RD	
-099	2 X 17		1.98/50.3	1.92/48.8	1.600/40.64	.675/17.15		RD	
-100	2 X 20		2.28/57.9	2.22/56.4	1.900/48.26	.105/2.67		RD	
-101	2 X 20		2.28/57.9	2.22/56.4	1.900/48.26	.150/3.81		RD	
-102	2 X 20		2.28/57.9	2.22/56.4	1.900/48.26	.675/17.15		SO	
-103	2 X 25		2.78/70.6	2.72/69.1	2.400/60.96	.105/2.67		RD	
-104	2 X 25		2.78/70.6	2.72/69.1	2.400/60.96	.150/3.81		RD	
68794-105	2 X 25	D	2.78/70.6	2.72/69.1	2.400/60.96	.675/17.15	15u"/.38u Au OVER 50u"/1.27u Ni	SO	NO

REVISIONS				SHEET INDEX	ISSUE						
REV	ECN/DDR#	BY	DATE		SH NO.						
A											
				TOLERANCES UNLESS OTHERWISE SPECIFIED							
				00± 01 / ± 3		FINISH		J.W. BAIR		8/1/90	
				000± 005 / 00± 13		PRODUCT FAMILY		M.SMYK		8/1/90	
				0000± 0020 / 000± 051		CAGE CODE		22526		8/1/90	
				ANGLES		0± 2		M.SMYK		8/1/90	



CUSTOMER COPY	TITLE	SCALE	SIZE	DWG NO.	SHEET
<input type="checkbox"/>	HEADER QUICKIE SLIM LINE VERTICAL, 4 WALLED	1:1	D	68794	5 of

NOTE: THIS DOCUMENT IS THE PROPERTY OF AND EMPLOYES PROPRIETARY INFORMATION OF BERG ELECTRONICS, INC. NO PART OF THE INFORMATION SHOWN ON THIS DOCUMENT MAY BE USED IN ANY WAY WITHOUT THE WRITTEN CONSENT OF BERG ELECTRONICS, INC. FORM E-3057 REV 8/93

PRODUCT NUMBER	SIZE	STYLE	DIM A	DIM B	DIM C	DIM J	TERMINAL PLATING	TERM TYPE	CUSTOMER RESTRICTED
68794-106	2 x 30	D	3.28/83.3	3.22/81.8	2.900/73.66	.105/2.67	15u/.38u Au OVER 50u*/1.27u Ni	ROUND	NO
-107	2 x 30	D	3.28/83.3	3.22/81.8	2.900/73.66	.150/3.81	15u/.38u Au OVER 50u*/1.27u Ni	ROUND	
-108	2 x 30	D	3.28/83.3	3.22/81.8	2.900/73.66	.675/17.15	15u/.38u Au OVER 50u*/1.27u Ni	SO	
-109	2 x 5	B	.780/19.81	.72/18.3	.400/10.16	.105/2.67	30u*/.76u Au OVER 50u*/1.27u Ni	ROUND	
-110						.150/3.81	30u*/.76u Au OVER 50u*/1.27u Ni	ROUND	
-111						.675/17.15	30u*/.76u Au OVER 50u*/1.27u Ni	SO	
-112						.105/2.67	150u*/3.81u Sn	SO	
-113						.150/3.81	150u*/3.81u Sn	SO	
-114						.675/17.15	150u*/3.81u Sn	SO	
-115						.105/2.67	15u*/.38u Au OVER 50u*/1.27u Ni	ROUND	
-116						.150/3.81	15u*/.38u Au OVER 50u*/1.27u Ni	ROUND	
-117						.675/17.15	15u*/.38u Au OVER 50u*/1.27u Ni	SO	
-118						.105/2.67	30u*/.76u GXT WITH GOLD FLASH	ROUND	
-119						.150/3.81	30u*/.76u GXT WITH GOLD FLASH	ROUND	
68794-120	2 x 5	B	.780/19.81	.72/18.3	.400/10.16	.675/17.15	30u*/.76u GXT WITH GOLD FLASH	SO	NO
68794-121	DISCONTINUED								
THRU									
68794-216									
68794-217	2 x 12	D	1.48/38.0	1.42/36.1	1.100/27.94	.105/2.67	15u/.38u Au OVER 50u*/1.27u Ni	ROUND	NO
-218						.105/2.67	30u*/.76u Au OVER 50u*/1.27u Ni	ROUND	
-219						.105/2.67	30u*/.76u GXT WITH GOLD FLASH	ROUND	
-220						.105/2.67	150u*/3.81u Sn	SO	
-221						.150/3.81	15u/.38u Au OVER 50u*/1.27u Ni	ROUND	
-222						.150/3.81	30u*/.76u Au OVER 50u*/1.27u Ni	ROUND	
-223						.150/3.81	30u*/.76u GXT WITH GOLD FLASH	ROUND	
-224						.150/3.81	150u*/3.81u Sn	SO	
-225						.675/17.15	15u/.38u Au OVER 50u*/1.27u Ni	SO	
-226						.675/17.15	30u*/.76u Au OVER 50u*/1.27u Ni	SO	
-227						.675/17.15	30u*/.76u GXT WITH GOLD FLASH	SO	
-228	2 x 12		1.48/38.0	1.42/36.1	1.100/27.94	.675/17.15	150u*/3.81u Sn	SO	
-229	2 x 15		1.78/45.2	1.72/43.7	1.400/35.56	.105/2.67	15u/.38u Au OVER 50u*/1.27u Ni	ROUND	
-230						.105/2.67	30u*/.76u Au OVER 50u*/1.27u Ni	ROUND	
-231						.105/2.67	30u*/.76u GXT WITH GOLD FLASH	ROUND	
-232						.105/2.67	150u*/3.81u Sn	SO	
68794-233	2 x 15	D	1.78/45.2	1.72/43.7	1.400/35.56	.150/3.81	15u/.38u Au OVER 50u*/1.27u Ni	ROUND	NO

REVISIONS				SHEET INDEX	ISSUE						
REV	ECN/DDR#	BY	DATE	INDEX	SH. NO.						
A											
TOLERANCES UNLESS OTHERWISE SPECIFIED						MAY		DW		DATE	
LINEAR						FINISH		ENGR		CUSTOMER COPY	
.0002 .0020 / .0002 .051						002 01 / 2E 3		J.W. BAIR		8/1/90	
ANGLES						0±.2		M.SMYK		8/1/90	
						22526		M.SMYK		8/1/90	
								UNIT		Dwg. No.	
								1:1		68794	
								D		6 of 6	



NOTE: THIS DOCUMENT IS THE PROPERTY OF AND EMBODIES PROPRIETARY INFORMATION OF BERG ELECTRONICS, INC. NO PART OF THE INFORMATION SHOWN ON THIS DOCUMENT MAY BE USED IN ANY WAY WITHOUT THE WRITTEN CONSENT OF BERG ELECTRONICS, INC. FORM E-3067 REV 8/93

PRODUCT NUMBER	POSITION	STYLE	DIM A	DIM B	DIM C	DIM J	TERMINAL PLATING	TERM TYPE	CUSTOMER RESTRICTED
68794-234	2 X 15	D	1.78/45.2	1.72/43.7	1.400/35.56	.150/3.81	30u"/.76u Au OVER 50u"/1/.27u Ni	ROUND	NO
-235						.150/3.81	30u"/.76u GXT WITH GOLD FLASH	ROUND	
-236						150/3.81	150u"/3.81u Sn	SO	
-237						675/17.15	15u"/.38u Au OVER 50u"/1/.27u Ni	SO	
-238						675/17.15	30u"/.76u Au OVER 50u"/1/.27u Ni	SO	
-239						675/17.15	30u"/.76u GXT WITH GOLD FLASH	SO	
-240	2 X 15		1.78/45.2	1.72/43.7	1.400/35.56	675/17.15	150u"/3.81u Sn	SO	
-241	2 X 22		2.48/63.0	2.42/61.5	2.100/53.34	.105/2.67	15u"/.38u Au OVER 50u"/1/.27u Ni	ROUND	
-242						.105/2.67	30u"/.76u Au OVER 50u"/1/.27u Ni	ROUND	
-243						.105/2.67	30u"/.76u GXT WITH GOLD FLASH	ROUND	
-244						.105/2.67	150u"/3.81u Sn	SO	
-245						150/3.81	15u"/.38u Au OVER 50u"/1/.27u Ni	ROUND	
-246						150/3.81	30u"/.76u Au OVER 50u"/1/.27u Ni	ROUND	
-247						.150/3.81	30u"/.76u GXT WITH GOLD FLASH	ROUND	
-248						.150/3.91	150u"/3.81u Sn	SO	
-249						675/17.15	15u"/.38u Au OVER 50u"/1/.27u Ni	SO	
-250						675/17.15	30u"/.76u Au OVER 50u"/1/.27u Ni	SO	
-251						675/17.15	30u"/.76u GXT WITH GOLD FLASH	SO	
-252	2 X 22	D	2.48/63.0	2.42/61.5	2.100/53.34	675/17.15	150u"/3.81u Sn	SO	
-253	2 X 17	A	1.98/50.3	1.92/48.8	1.600/40.64	.105/2.67	15u"/.38u Au OVER 50u"/1/.27u Ni	SO	NO
-254	UNASSIGNED								
-255	2 X 5	B	.78/19.8	.72/18.3	.400/10.16	.105/2.67	30u"/.76u Au OVER 50u"/1/.27u Ni	ROUND	YES
-256	2 X 7	C	.98/24.9	.92/23.4	.600/15.24				
-257	2 X 8	D	1.08/27.4	1.02/25.9	.700/17.78				
-258	2 X 10		1.28/32.5	1.22/31.0	.900/22.86				
-259	2 X 12		1.48/38.0	1.42/36.1	1.100/27.94				
-260	2 X 13		1.58/40.1	1.52/38.6	1.200/30.48				
-261	2 X 15		1.78/45.2	1.72/43.7	1.400/35.56				
-262	2 X 17		1.98/50.3	1.92/48.8	1.600/40.64				
-263	2 X 20		2.28/57.9	2.22/56.4	1.900/48.26				
-264	2 X 22		2.48/63.0	2.42/61.5	2.100/53.34				
-265	2 X 25		2.78/70.6	2.72/69.1	2.400/60.96				
-266	2 X 30	D	3.28/83.3	3.22/81.8	2.900/73.66	.105/2.67	30u"/.76u Au OVER 50u"/1/.27u Ni	ROUND	YES
-267	UNASSIGNED								
68794-268	2 X 5	B	.78/19.8	.72/18.3	.400/10.16	.105/2.67	30u"/.76u GXT WITH GOLD FLASH	ROUND	YES

REVISIONS				SHEET INDEX	ISSUE SH. NO.	MATERIALS				CUSTOMER COPY
REV	ECN/DDR#	BY	DATE			FINISH	W. BAIR	DATE	DATE	
A										
				TOLERANCES UNLESS OTHERWISE SPECIFIED		MAY		DATE		
				002 01 / 02 3		ENGR		M.SMYK		8/1/90
				0002 005 / 002 13		CHK		M.SMYK		8/1/90
				00002 0020 / 0002 051		APPR		M.SMYK		8/1/90
				ANGLES 02 Z		DATE		M.SMYK		8/1/90
						22526				

<b>BERG ELECTRONICS</b>		TITLE	
HEADER QUICKIE SLIM LINE		VERTICAL, 4 WALLED	
SCALE	SIZE	DWG. NO.	SHEET
1:1	D	68794	7 of

NOTE: THIS DOCUMENT IS THE PROPERTY OF AND EMBODIES PROPRIETARY INFORMATION OF BERG ELECTRONICS, INC. NO PART OF THE INFORMATION SHOWN ON THIS DOCUMENT MAY BE USED IN ANY WAY WITHOUT THE WRITTEN CONSENT OF BERG ELECTRONICS, INC. FORM E-3067 REV 8/93

PRODUCT NUMBER	POSITION	STYLE	DIM A	DIM B	DIM C	DIM J	TERMINAL PLATING	TERM TYPE	CUSTOMER RESTRICTED
68794-269	2 X 7	C	.98/24.9	.92/23.4	.600/15.24	105/2.67	30u"/.76u GXT WITH GOLD FLASH	ROUND	YES
-270	2 X 8	D	1.09/27.4	1.02/25.9	.700/17.78				
-271	2 X 10		1.28/32.5	1.22/31.0	.900/22.86				
-272	2 X 12		1.48/38.0	1.42/36.1	1.100/27.94				
-273	2 X 13		1.58/40.1	1.52/38.6	1.200/30.48				
-274	2 X 15		1.78/45.2	1.72/43.7	1.400/35.56				
-275	2 X 17		1.98/50.3	1.92/48.8	1.600/40.64				
-276	2 X 20		2.28/57.9	2.22/56.4	1.900/48.26				
-277	2 X 22		2.48/63.0	2.42/61.5	2.100/53.34				
-278	2 X 25		2.78/70.6	2.72/69.1	2.400/60.96				
-279	2 X 30		3.28/83.3	3.22/81.8	2.900/73.66		30u"/.76u GXT WITH GOLD FLASH	ROUND	YES
68794-280	2 X 10	D	1.28/32.5	1.22/31.0	.900/22.86	105/2.67	150u"/3.81u Sn	SQUARE	NO

REVISIONS				SHEET INDEX	ISSUE SH NO.					CUSTOMER COPY	
REV	ECN/DDR#	BY	DATE								
A											
				TOLERANCES UNLESS OTHERWISE SPECIFIED							
				0.002 01 / JE 3							
				LINEAR 0.002 005 / 0.02 13							
				0.0002 0020 / 0.002 051							
				ANGLES 0±.2							
				MAY 22 1990							
				DRAWN J.W. BAIR							
				ENGR. M. SMYK				8/1/90			
				PRODUCT FAMILY							
				CHK. M. SMYK				8/1/90			
				APP'D. M. SMYK				8/1/90			
				DATE CODE 22526							
				UNIT INCH							
				SCALE 1:1							
				SIZE D							
				DWG NO. 68794							
				SHEET 8 OF							

**BERG**  
ELECTRONICS

HEADER QUICKIE SLIM LINE  
VERTICAL 4 WALLED