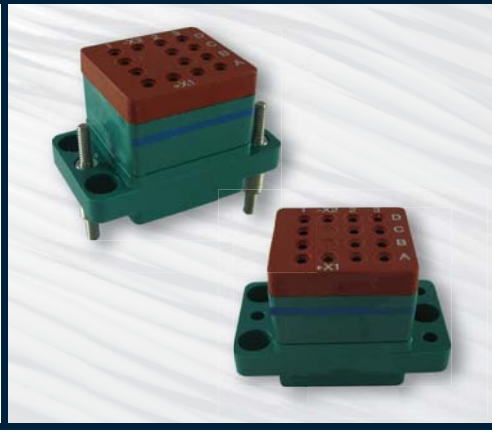


# MIL-PRF-12883/40

## Extended Height RSL 4 Pole/10 Amp

### Relay Sockets



Mates with M83536, M6106, M27709, M83726 Relays

#### Operating Range

Temperature:

-65°C to 125°C

Insulation Resistance:

1000 Megaohms Min.

Dielectric Withstanding Voltage:

1500 VRMS at Sea Level

500 VRMS at 80,000 ft.

Vibration:

MIL-STD-202, Method 204

Test Condition G

Shock:

MIL-STD-202, Method 213

Test Condition C

#### Materials

Module Body:

Polyetherimide per ASTM-D5205

Grommet:

Silicone Rubber per A-A-59588

Hardware:

Stainless Steel or Steel w/

Cadmium Chromate Finish

Contact Retainers:

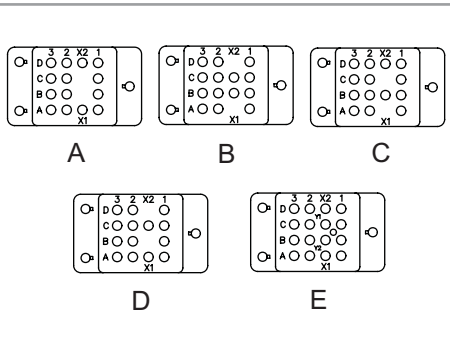
Stainless Steel

Socket Contacts:

Stainless Steel, Hard Gold Plated in

Accordance with SAE-AMS-2422

### Socket Configurations



### Extended Height Relay Sockets

| MIL P/N<br>M12883 | APCD<br>P/N | Mounting<br>Stud | QTY | Size <sup>1</sup> | Contact Config.<br>P/N | Mating Relay  |
|-------------------|-------------|------------------|-----|-------------------|------------------------|---|
| /40-01            | RSL116079   | Loose            | 14  | 16/16             | /5-116 A               | M83536/15-022, M83536/16-006,-014,-031,-034<br>M83726/1,2,3,4,28,29,30,31*, M27709-02 |
| /40-02            | RSL116081   | Loose            | 14  | 16/16             | /5-116 B               | M83536/17-002,-005  |
| /40-03            | RSL116083   | Loose            | 14  | 16/16             | /5-116 C               |   |
| /40-04            | RSL116085   | Loose            | 14  | 16/16             | /5-116 D               | Leach Corp KA-D4E & J   |
| /40-05            | RSL116087   | Loose            | 14  | 16/20             | /5-117 A               | M83536/15-022, M83536/16-006,-014,-031,-034<br>M83726/1,2,3,4,28,29,31,31, N27709-02  |
| /40-06            | RSL116089   | Loose            | 16  | 16/16             | /5-116 E               | M83536/18-002,005,008,012<br>M83536/19-002,008,012, M83536/20-002                     |
| /40-07            | RSL116051   | Fixed            | 14  | 16/16             | /5-116 A               | M83536/15-022, M83536/16-006,-014,-031,-034<br>M83726/1,2,3,4,28,29,31,31, N27709-02  |
| /40-08            | RSL116053   | Fixed            | 14  | 16/16             | /5-116 B               | M83536/17-002,-005  |
| /40-09            | RSL116055   | Fixed            | 14  | 16/16             | /5-116 C               |   |
| /40-10            | RSL116057   | Fixed            | 14  | 16/16             | /5-116 D               | Leach Corp KA-D4E & J   |
| /40-11            | RSL116059   | Fixed            | 14  | 16/20             | /5-117 A               | M83536/15-022, M83536/16-006,-014,-031,-034<br>M83726/1,2,3,4,28,29,31,31, M27709-02  |
| /40-12            | RSL116061   | Fixed            | 16  | 16/16             | /5-116 E               | M83536/18-002,-005,-008,-012<br>M83536/19-002,-008,-012, M83536/20-002                |

<sup>1</sup>Mating End / Wire Barrel

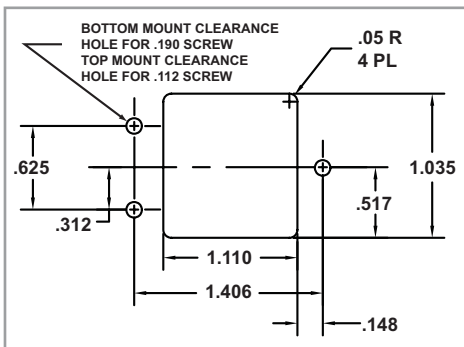
\*Applies to all plug-in type relays of these documents

Mounting instructions can be found on page 26

### Relay Socket Weight

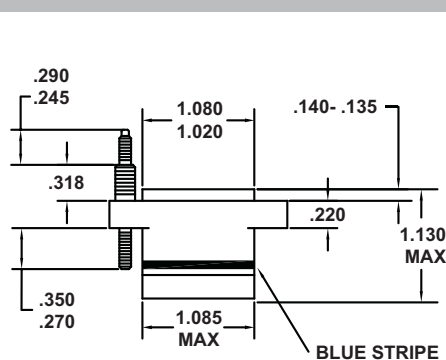
| Relay Socket    | Pounds | Grams |
|-----------------|--------|-------|
| Extended Height | .132   | 60    |

### Recommended Mounting Panel Cutout

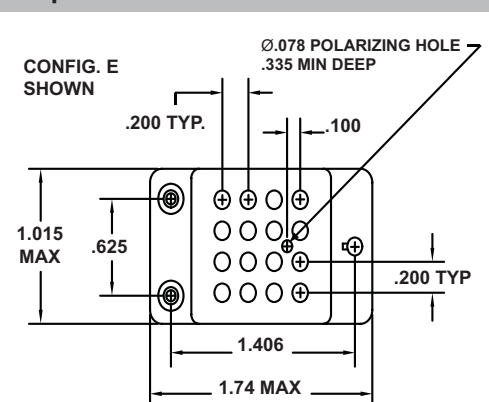


### Relay Socket Dimensions

#### Side View



#### Top View



# MIL-PRF-12883/40

## Low Profile RSE 4 Pole/10 Amp

### Operating Range

#### Temperature:

-65°C to 125°C

#### Insulation Resistance:

1000 Megaohms Min.

#### Dielectric Withstanding Voltage:

1500 VRMS at Sea Level

500 VRMS at 80,000 ft.

#### Vibration:

MIL-STD-202, Method 204

Test Condition G

#### Shock:

MIL-STD-202, Method 213

Test Condition C

### Materials

#### Module Body:

Polyetherimide per ASTM-D5205

#### Grommet:

Silicone Rubber per A-A-59588

#### Hardware:

Stainless Steel or Steel w/

Cadmium Chromate Finish

#### Contact Retainers:

Stainless Steel

#### Socket Contacts:

Stainless Steel, Hard Gold Plated in

Accordance with SAE-AMS-2422

## Relay Sockets



Mates with M83536, M6106, M27709, M83726 Relays

## Low Profile Relay Sockets

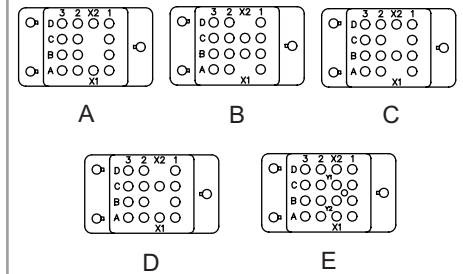
| MIL P/N<br>M12883 | APCD<br>P/N | Mounting<br>Stud | QTY | Size <sup>1</sup> | Contact<br>P/N | Config. | Mating Relay  |
|-------------------|-------------|------------------|-----|-------------------|----------------|---------|---|
| /40-13            | RSE116661   | Loose            | 14  | 16/16             | /92-533        | A       | M83536/15-022, M83536/16-006,-014,-031,-034<br>M83726/1,2,3,4,28,29,30,31*, M27709-02 |
| /40-14            | RSE116663   | Loose            | 14  | 16/16             | /92-533        | B       | M83536/17-002, 005  |
| /40-15            | RSE116665   | Loose            | 14  | 16/16             | /92-533        | C       |   |
| /40-16            | RSE116667   | Loose            | 14  | 16/16             | /92-533        | D       | Leach Corp KA-D4E & J   |
| /40-17            | RSE116669   | Loose            | 14  | 16/20             | /92-594        | A       | M83536/15-022, M83536/16-006,-014,-031,-034<br>M83726/1,2,3,4,28,29,30,31*, M27709-02 |
| /40-18            | RSE116671   | Loose            | 16  | 16/16             | /92-533        | E       | M83836/18-002,-005,-012<br>M83536/19-002,-005,-008,-012, M83536/20-002                |
| /40-19            | RSE116673   | Fixed            | 14  | 16/16             | /92-533        | A       | M83536/15-022, M83536/16-006,-014,-031,-034<br>M83726/1,2,3,4,28,29,30,31*, M27709-02 |
| /40-20            | RSE116675   | Fixed            | 14  | 16/16             | /92-533        | B       | M83536/17-002, 005  |
| /40-21            | RSE116677   | Fixed            | 14  | 16/16             | /92-533        | C       |   |
| /40-22            | RSE116679   | Fixed            | 14  | 16/16             | /92-533        | D       | Leach Corp KA-D4E & J   |
| /40-23            | RSE116681   | Fixed            | 14  | 16/20             | /92-534        | A       | M83536/15-022, M83536/16-006,-014,-031,-034<br>M83726/1,2,3,4,28,29,30,31*, M27709-02 |
| /40-24            | RSE116683   | Fixed            | 16  | 16/16             | /92-533        | E       | M83836/18-002,-005,-012<br>M83536/19-002,-005,-008,-012, M83536/20-002                |

<sup>1</sup>Mating End / Wire Barrel

\*Applies to all plug-in type relays of these documents

Mounting instructions can be found on page 26

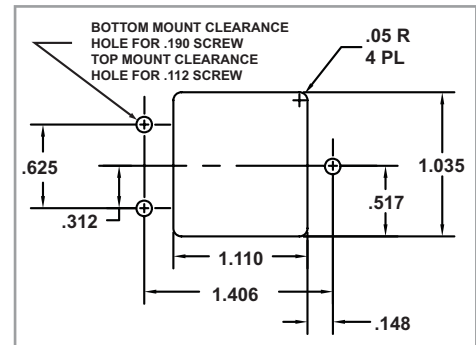
## Socket Configurations



## Relay Socket Weight

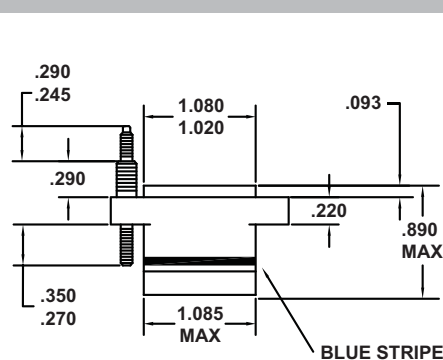
| Relay Socket | Pounds | Grams |
|--------------|--------|-------|
| Low Profile  | .100   | 45    |

## Recommended Mounting Panel Cutout

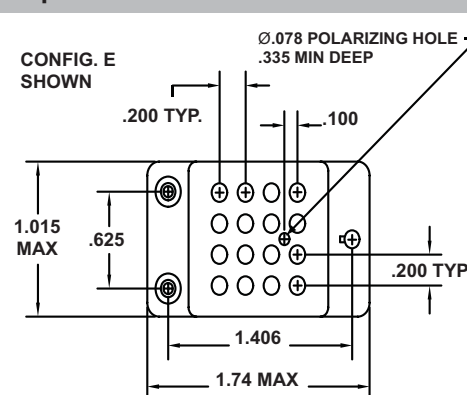


## Relay Socket Dimensions

### Side View



### Top View



Amphenol Pcd