



Ultra Miniature 400Hz Power Transformers:

SURFACE MOUNT

.375 VA to 2.4 VA

Primary Voltages of 115V or 26V

SURFACE MOUNT

PICO surface mount units utilize materials and methods to withstand extreme temperatures of vapor phase, I.R., and other reflow procedures without degradation of electrical or mechanical characteristics.

Specifications

- Manufactured to MIL-PRF-27, Grade 5, Class S.
- 90° C Ambient
- Input Primary 115v - 400Hz \pm 20Hz or 26v - 400Hz - \pm 20Hz (Your Choice - Just Choose The Proper Part No.)
- Regulation is 24% (84000 Series Have Regulation of 17%)
- Secondary Voltage Adjusted to Nominal Value at Half Load.

115V/26V Primary				
SEC/ VOLT	SEC/ CURRENT ma	MODEL NUMBER 115V PRIMARY	MODEL NUMBER 26V PRIMARY	PICO PRICES 1-9*

5.0 ct	75	76900	76902	45.22
	150	77900	77902	45.22
	204	82650	82815	66.78
	338	83650	83815	59.40
	480	84650	84815	61.94
6.3 ct	59.5	76899	76903	45.22
	119	77899	77903	45.22
	162	82655	82820	66.78
	268	83655	83820	59.40
	381	84655	84820	61.94
8.0 ct	47	76898	76904	45.22
	94	77898	77904	45.22
	128	82660	82825	66.78
	211	83660	83825	59.40
	300	84660	84825	61.94
10 ct	37.5	76897	76905	45.22
	75	77897	77905	45.22
	102	82665	82830	66.78
	169	83665	83830	59.40
	240	84665	84830	61.94
12.8 ct	29	76892	76906	45.22
	58.6	77892	77906	45.22
	79.7	82670	82835	66.78
	132	83670	83835	59.40
	188	84670	84835	61.94
14 ct	26.8	76889	76907	45.22
	53.6	77889	77907	45.22
	72.9	82675	82840	66.78
	121	83675	83840	59.40
	171	84675	84840	61.94
16 ct	23	76887	76908	45.22
	47	77887	77908	45.22
	63.8	82680	82845	66.78
	106	83680	83845	59.40
	150	84680	84845	61.94
18 ct	20.8	76886	76909	45.22
	41.7	77886	77909	45.22
	56.7	82685	82850	66.78
	93.9	83685	83850	59.40
	133	84685	84850	61.94

20 ct	18.8	76885	76911	45.22
	37.5	77885	77911	45.22
	51	82690	82855	66.78
	84.5	83690	83855	59.40
	120	84690	84855	61.94
22 ct	17	76884	76912	45.22
	34	77884	77912	45.22
	46.4	82695	82860	66.78
	76.8	83695	83860	59.40
	109	84695	84860	61.94
24 ct	15.5	76882	76913	45.22
	31	77882	77913	45.22
	42.5	82700	82865	66.78
	70.4	83700	83865	59.40
	100	84700	84865	61.94
28 ct	13.4	76881	76914	45.22
	26.8	77881	77914	45.22
	36.4	82705	82870	66.78
	60.4	83705	83870	59.40
	85.7	84705	84870	61.94
SEC/ VOLT	SEC/ CURRENT ma	MODEL NUMBER 115V PRIMARY	MODEL NUMBER 26V PRIMARY	PICO PRICES 1-9*
31 ct	12	76879	76916	45.22
	24	77879	77916	45.22
	32.9	82710	82875	66.78
	54.5	83710	83875	59.40
	77.4	84710	84875	61.94
36 ct	10.4	76877	76917	45.22
	20.8	77877	77917	45.22
	28.3	82715	82880	66.78
	46.9	83715	83880	59.40
	66.7	84715	84880	61.94
39 ct	9.6	76876	76918	45.22
	19.2	77876	77918	45.22
	26.2	82720	82885	66.78
	43.3	83720	83885	59.40
	61.5	84720	84885	61.94

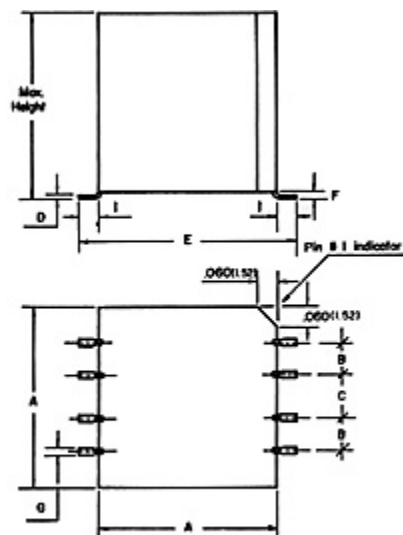
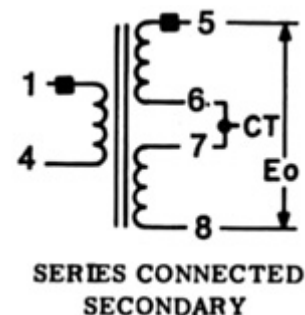
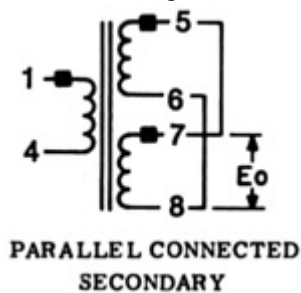
43 ct	8.7	76875	76919	45.22
	17.4	77875	77919	45.22
	23.7	82725	82890	66.78
	39.3	83725	83890	59.40
	55.8	84725	84890	61.94
48 ct	7.8	76874	76920	45.22
	15.6	77874	77920	45.22
	21.1	82730	82895	66.78
	35.2	83730	83895	59.40
	50	84730	84895	61.94
56 ct	6.6	76872	76921	45.22
	13.2	77872	77921	45.22
	18.2	82735	82900	66.78
	30.2	83735	83900	59.40
	42.9	84735	84900	61.94
63 ct	6	76869	76922	45.22
	11.9	77869	77922	45.22
	16.2	82740	82905	66.78
	26.9	83740	83905	59.40
	38.2	84740	84905	61.94
68 ct	5.5	76867	76923	45.22
	11	77867	77923	45.22
	15	82745	82910	66.78
	24.9	83745	83910	59.40
	35.3	84745	84910	61.94
80 ct	4.6	76862	76925	45.22
	9.4	77862	77925	45.22
	12.1	82750	82915	66.78
	21.1	83750	83915	59.40
	30	84750	84915	61.94
88 ct	4.2	76857	76926	45.22
	8.5	77857	77926	45.22
	11.6	82755	82920	66.78
	19.2	83755	83920	59.40
	27.3	84755	84920	61.94
100 ct	3.7	76854	76927	45.22
	8.5	77854	77927	45.22
	10.2	82760	82925	66.78
	16.9	83760	83925	59.40
	24	84760	84925	61.94

SEC/ VOLT	SEC/ CURRENT ma	MODEL NUMBER 115V PRIMARY	MODEL NUMBER 26V PRIMARY	PICO PRICES 1-9*
115 ct	3.2	76852	76928	45.22
	6.5	77852	77928	45.22
	8.9	82765	82930	66.78
	14.7	83765	83930	59.40
	20.9	84765	84930	61.94
123 ct	8.3	82770	82935	66.78
	13.7	83770	83935	59.40
	19.5	84770	84935	61.94
138 ct	7.4	82775	82940	66.78
	12.2	83775	83940	59.40
	17.4	84775	84940	61.94
157 ct	6.5	82780	82945	66.78
	10.8	83780	83945	59.40
	15.3	84780	84945	61.94
175 ct	5.8	82785	82950	66.78
	9.6	83785	83950	59.40
	13.7	84785	84950	61.94
200 ct	5.1	82790	82955	66.78
	8.4	83790	83955	59.40
	12	84790	84955	61.94
220 ct	7.7	83795	83960	62.42
	10.9	84795	84960	65.08
250 ct	6.8	83800	83965	65.38
	9.6	84800	84965	68.18
275 ct	6.1	83805	83970	68.63
	8.7	84805	84970	74.39
310 ct	5.4	83810	83975	71.35
	7.7	84810	84975	80.08

Features

- 400 Hz Aerospace Application.
- Smallest Possible Size.

- Secondary Has Split Winding
(Secondary can be used at half voltage twice the current.)



• TERMINALS ARE CLOCKWISE FROM PIN # 1.
• ALL DIMENSIONS ARE IN INCHES, () = MM.
• PINS 2 AND 3 ARE DUMMY PINS.

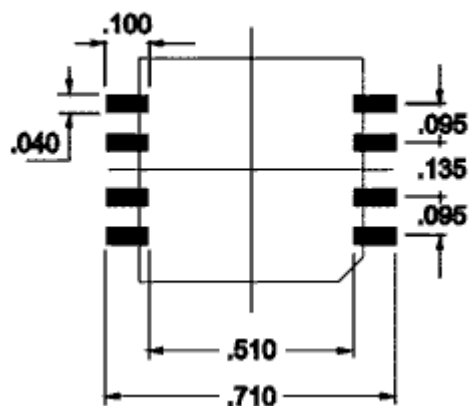
[Larger size drawing](#)

Serial Number	Max. Height	A	B	C	D	E	F	G	I
76000	.415 (10.54)	.550 (13.97)	.095 (2.41)	.135 (3.43)	.010 (.25)	.670 (17.02)	.015 (.38)	.020 (.51)	.060 (1.52)
77000	.565 (14.35)	.550 (13.97)	.095 (2.41)	.135 (3.43)	.010 (.25)	.670 (17.02)	.015 (.38)	.020 (.51)	.060 (1.52)
82000	.455 (11.56)	.800 (20.32)	.170 (4.32)	.230 (5.84)	.014 (.35)	1.000 (25.40)	.025 (.63)	.030 (.76)	.100 (2.54)

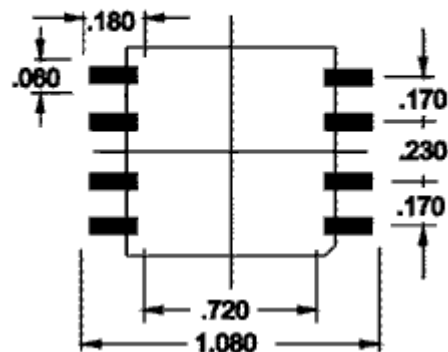
83000	.605 (15.37)	.800 (20.32)	.170 (4.32)	.230 (5.84)	.014 (.35)	1.000 (25.40)	.025 (.63)	.030 (.76)	.100 (2.54)
84000	.915 (23.24)	.800 (20.32)	.170 (4.32)	.230 (5.84)	.014 (.35)	1.000 (25.40)	.025 (.63)	.030 (.76)	.100 (2.54)

[Click Here for Plug-In Version of Ultra Miniature 400 Hz Transformers](#)

RECOMMENDED LAND PATTERN DIMENSIONS PICO 76000 & 77000 SERIES



RECOMMENDED LAND PATTERN DIMENSIONS PICO 82000, 83000 & 84000 SERIES.



*Discount Prices:

1-9 Net;
10-24 less 10%;
25-49 less 16%;
50-99 less 23%;
100-499 less 30%

Ordering Instructions:

No minimum.
Net 30 days F.O.B. Pelham, NY

Delivery--stock to one week for sample orders.

For immediate engineering assistance or to place an order:

Call Toll Free: 800-431-1064

PICO Electronics, Inc.

143 Sparks Ave. Pelham, NY 10803-1837

Tel: 914-738-1400 or Fax: 914-738-8225

[Go back to Surface Mount Transformers and Inductors menu](#)