



Series 181 Thru 183 90° Pin Staked Flex Jumpers

FEATURES:

- Aries 90° Pin Staked Flex Jumpers combine thin, flexible, solid Copper conductors embedded between layers of tough, flexible, flame-retardant insulation.
- Consult factory for cable lengths under 2.000 [50.80].
- See Data Sheet 11005 for Flat Pin Staked Flex Jumpers
- For RoHS applications for Lead-Free Soldering use HT Cable

GENERAL SPECIFICATIONS:

- Standard cable insulation is white UL VW-1, Style 2643 flame retardant Polyester (Mylar) adhesive.
- High temperature flame retardant cable insulation is Polyimide (Kapton) insulation with acrylic adhesive.
- Cable conductors are solid Copper with a cross-sectional area equivalent to that of 26 gauge AWG.
- Female housing is black UL 94V-0 Glass-filled Stanyl 4/6 Nylon.
- Female and male "crimp-on" pins are spring-tempered Copper Alloy 510.
- Female and male pin plating:
T = 100µ" [2.54µm] min. Matte Tin per ASTM-B545-97 over 50µ" Min. Nickel per ASTM-AMS-QQ-N-290
TL = 100µ" [2.54µm] min. 93/7 Tin/Lead per SAE-AMS-P-81728 over 50µ" [1.27µm] min. Nickel per SAE-AMS-QQ-N-290.
- Cable current rating=3 Amps
- Cable voltage rating=300 Volts
- Cable dielectric strength=2500 Volts/mil, minimum (standard)
 =4000 Volts/mil, minimum (high temp)
- Cable insulation resistance=1000 MOhms minimum (standard)
 =100,000 MOhms (high temp)
- Conductor/Contact Resistance (avg.) = 20mOhms initial (max. 20mOhm increase) based on a 2" cable @20°C.
- Operating temperature=67 to 257°F [-55 to 105°C].
- Female housing accepts leads .024-.030 [.61-.76] square, .150 [3.81] long minimum.



Note: Aries specializes in custom design and production. In addition to the standard products shown on this page, special materials, platings, sizes, and configurations can be furnished, depending on quantities. Aries reserves the right to change product specifications without notice.

ALL DIMENSIONS: INCHES [MILLIMETERS]

All tolerances ± .005 [.13] unless otherwise specified

Kapton is a registered trademark for DuPont

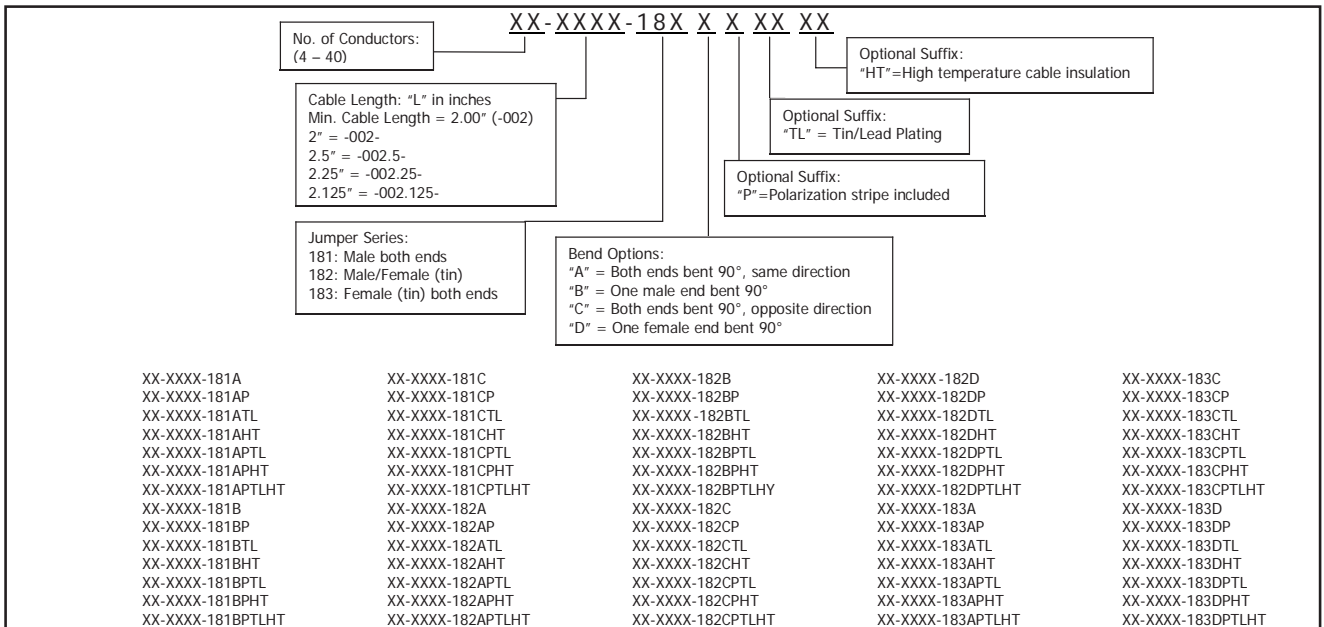
**Aries reserves the right to ship with or without a polarization stripe unless otherwise specified by customer

"A"=NO. OF CONDUCTORS X .100 [2.54]
 "B"=(NO. OF CONDUCTORS -1) X .100 [2.54]

MOUNTING CONSIDERATIONS:

- Suggested PCB hole size=.032± .002 .81 ± .05] dia.

ORDERING INFORMATION



Bristol, PA USA
 TEL: (215) 781-9956
 FAX: (215) 781-9845

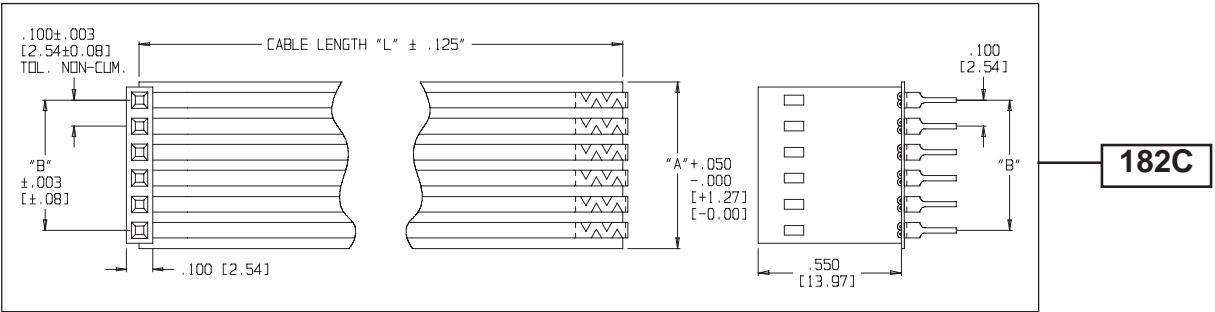


11019
 REV.K
 Page
 1 of 3

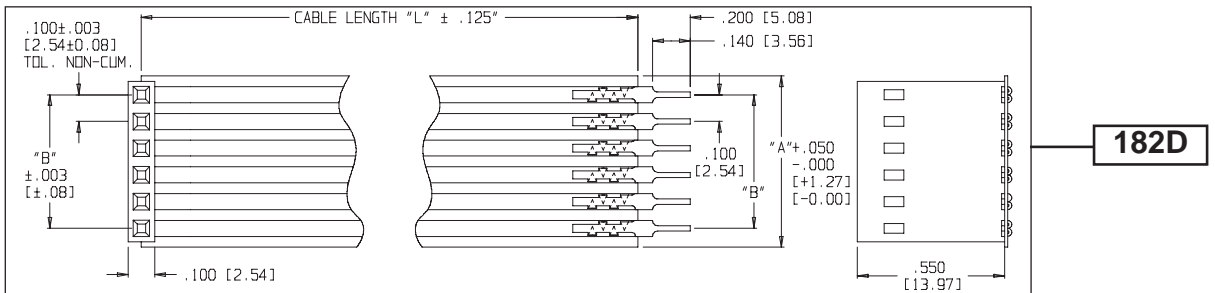


Series 181 Thru 183

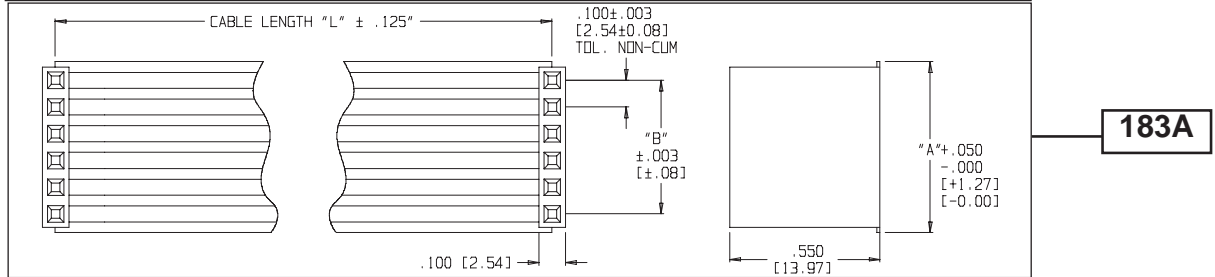
90° Pin Staked Flex Jumpers



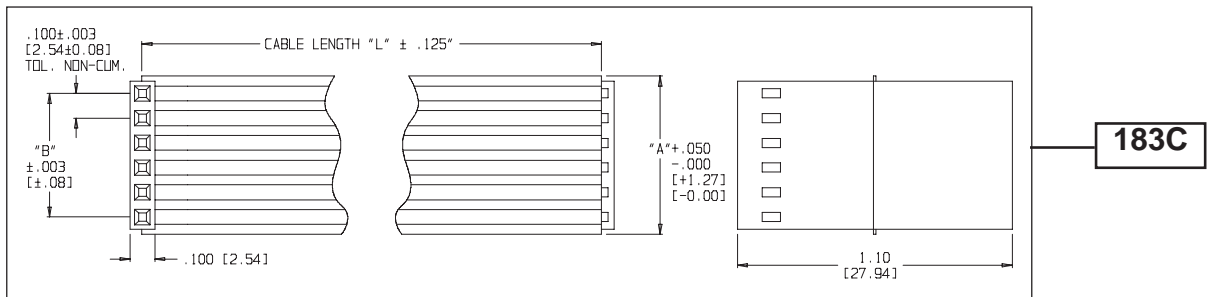
182C



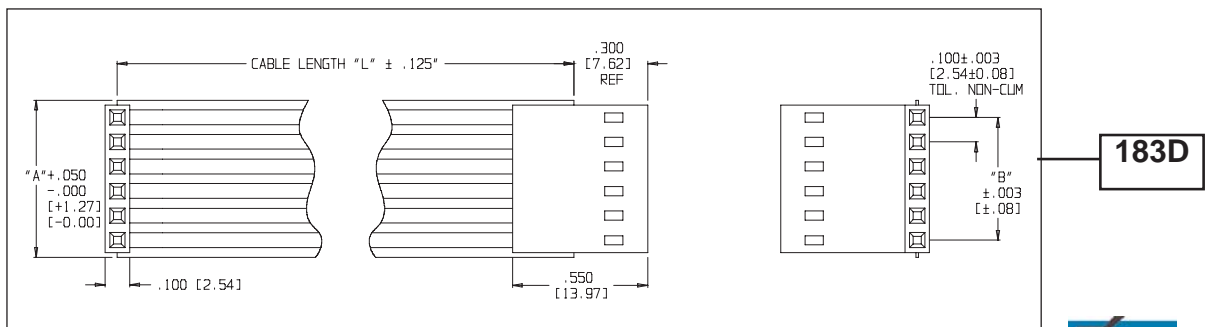
182D



183A



183C



183D