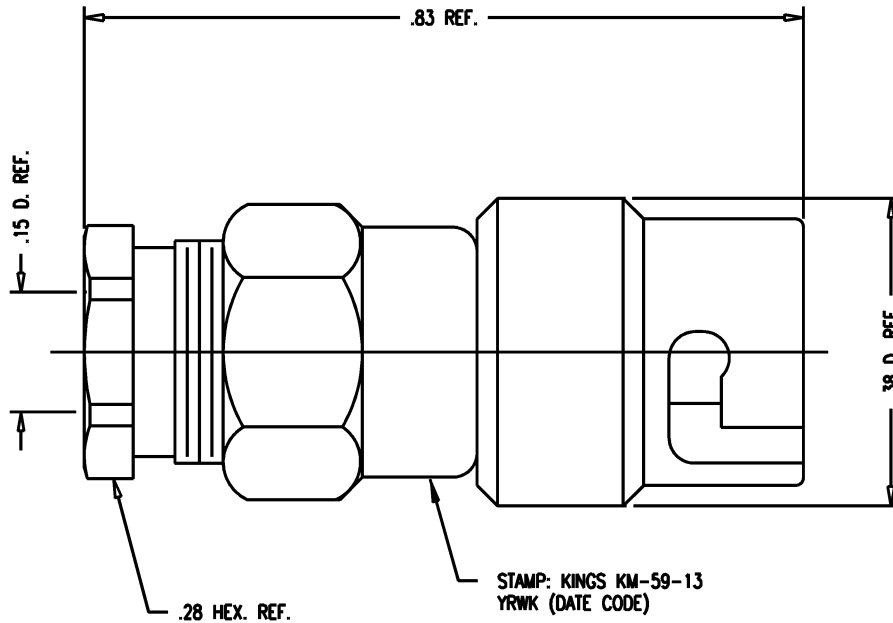


# GSD

KM-59-13



**NOTES:**

1. FOR USE WITH RG-55, 142 & 223/U CABLE.
2. MATERIALS:  
 GASKETS: SILICON RUBBER, ZZ-R-765  
 INSULATOR: TEFLON, ASTM-D-4894  
 SPRING: MUSIC WIRE  
 CENTER CONTACT: BER. COPPER, ASTM-B-196  
 ALL OTHER PARTS: BRASS, ASTM-B16
3. FINISHES:  
 SPRING: CADMIUM PLATE PER QQ-P-416  
 ALL OTHER METAL PARTS: GOLD PLATE PER MIL-G-45204  
 OVER NICKEL PLATE PER QQ-N-290
4. ELECTRICAL CHARACTERISTICS:  
 NOMINAL IMPEDANCE: NON-CONSTANT  
 VOLTAGE RATING: 500 VRMS  
 FREQUENCY RANGE: DC TO 500 MHz

**REVISIONS**

ISSUE	CHANGES
7	CN 36782 E REDRAWN KH 01/25/96
8	CN 37859 E TML 07/12/99

KAM6342

SCALE 6:1

APPROX SURFACE AREA

USED ON

REF: LIQUIDOMETER DWG. NO. S62 PH-IF

PL, KM

DRAWN KH DATE 01/25/96

DESIGN MJB DATE 01/26/96

APPR. DATE

**KINGS**  
ELECTRONICS CO., INC.  
ROCK HILL, SOUTH CAROLINA 29730

# GSD

KM-59-13