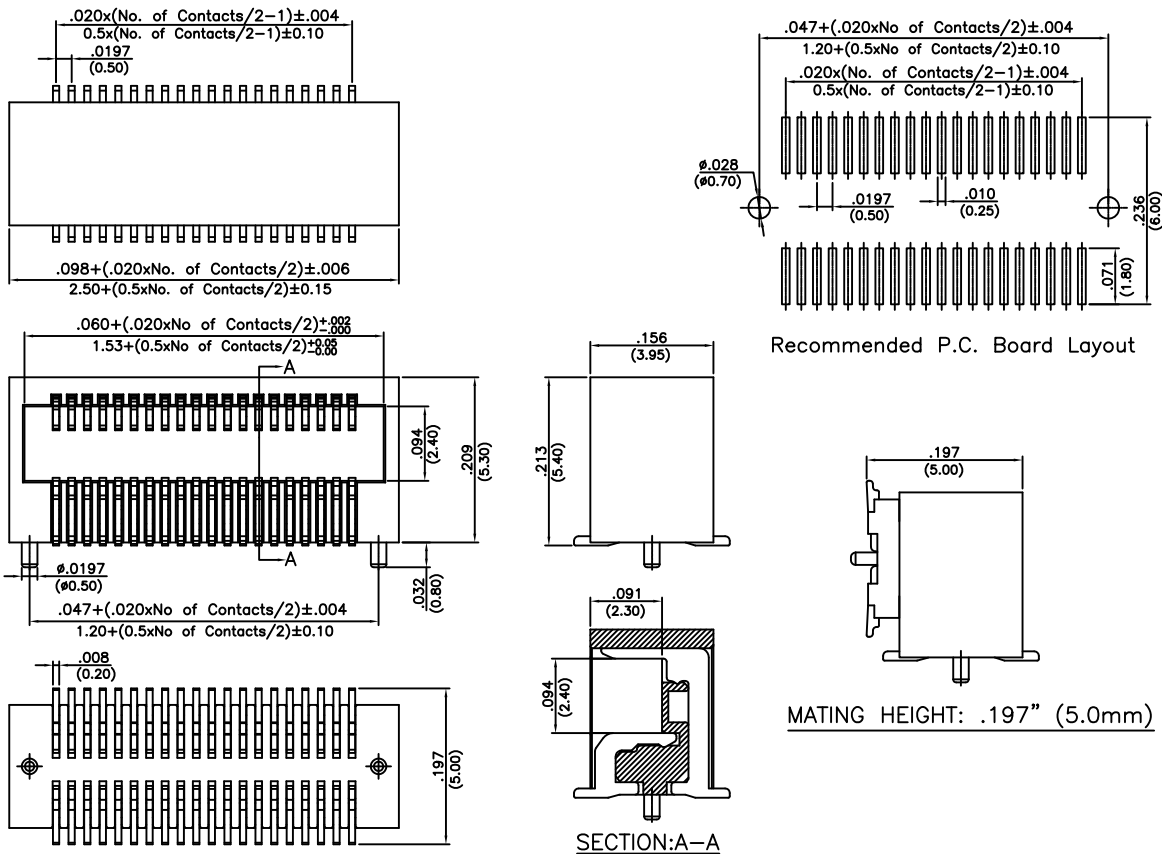


Major League Electronics .0197 cl Fine Pitch Socket



Ordering Information

FPSR5-1 - D - 212 - F - V - - - - LF

Pins Per Row: 05 - 20
 Row Specification: D = Dual Row

Pin Options		
Body Height		
.212	5.40mm	212

Plating Options	
Gold Flash over Entire Pin	F

Alignment Pin: Leave blank if not needed
 AP = With

Packing Information:
 TR-P = Tape and Reel with Plastic Pick and Place pad
 TB-P = Tube with Plastic Pick and Place pad
 TB-0 = Tube without Pick and Place Pad
*If left blank, packaging at MLE's discretion
 Pad may be metal, mylar or plastic*

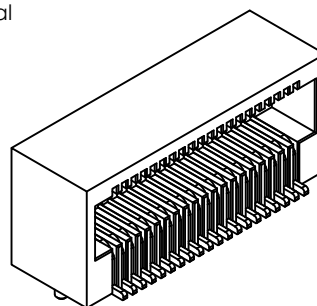
Vertical

Specifications

Current Rating: 0.5 Ampere AC/DC
 Voltage Rating: 50V AC/DC
 Insulation Resistance: 100MΩ Min. @ 500V DC
 Dielectric Withstanding: 500V AC for one minute
 Contact Resistance: 50mΩ Max.
 Operating Temperature: -25°C to + 85°C
 Max. Process Temperature: 260°C up to 10 secs.

Materials

Contact Material: Phosphor Bronze
 Insulator Material: Nylon 9T, UL94V-0
 Plating: Gold Flash over entire pin



Mates With
 FPH5-1

Products cut to specific sizes are uncancellable/nonreturnable

Parts are subject to change without notice

FPSR5-1 SERIES

.0197cl Dual Row - Right Angle
 Surface Mount Board to Board Socket

29 MAY 09

Scale
 NTS

UNLESS OTHERWISE SPECIFIED
 DIMENSIONS IN INCHES (MM)
 TOLERANCES ARE:

ONE PLACE DECIMALS ±.012
 TWO PLACE DECIMALS ±.006
 THREE PLACE DECIMALS ±.004



4235 Earnings Way, New Albany, Indiana, 47150, USA
 1-800-782-3486 (USA/Canada/Mexico)
 Tel: 812-944-7244
 Fax: 812-944-7268
 E-mail: mle@mlelectronics.com
 Web: www.mlelectronics.com

Revision
 B

Sheet
 1/2

Revisions

Revision B - (26th April 2011)

Tolerances added for 3 decimal places, existing conversion made from MM to Inches.

Added Post height (bottom of insulator to bottom of the Post)
0.032 (0.80).

Products cut to specific sizes are uncancellable/nonreturnable

Parts are subject to change without notice

FPSR5-1 SERIES

.0197cl Dual Row - Right Angle
Surface Mount Board to Board Socket

29 MAY 09

Scale
NTS

UNLESS OTHERWISE SPECIFIED
DIMENSIONS IN INCHES (MM)
TOLERANCES ARE:

ONE PLACE DECIMALS ±.012
TWO PLACE DECIMALS ±.006
THREE PLACE DECIMALS ±.004



4235 Earnings Way, New Albany, Indiana, 47150, USA
1-800-782-3486 (USA/Canada/Mexico)
Tel: 812-944-7244
Fax: 812-944-7268
E-mail: mle@mlelectronics.com
Web: www.mlelectronics.com

Revision
B

Sheet
2/2