

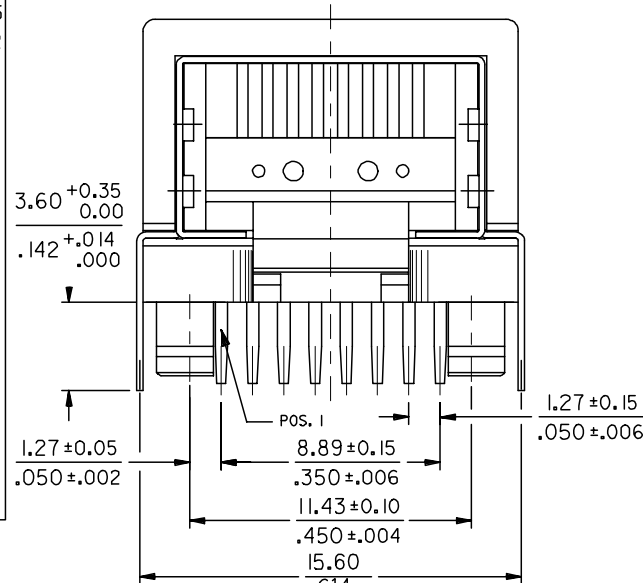
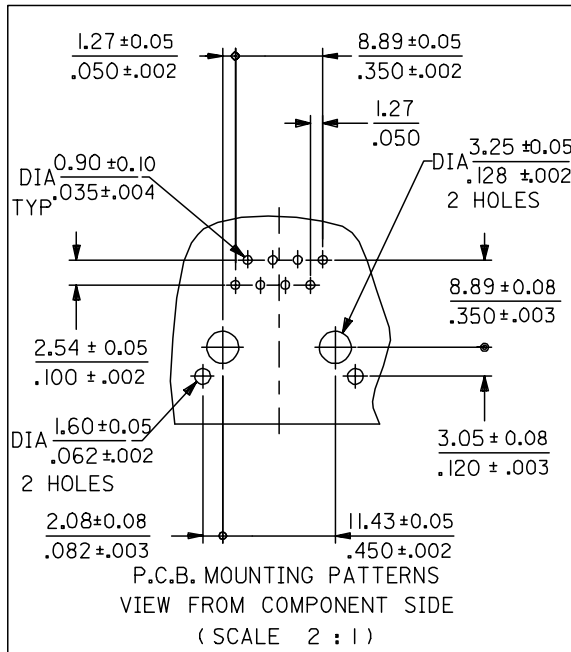
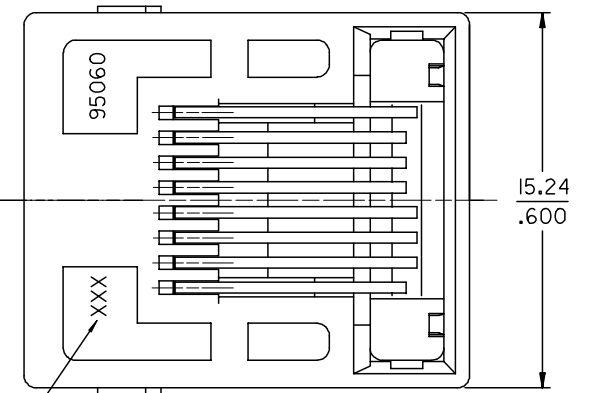
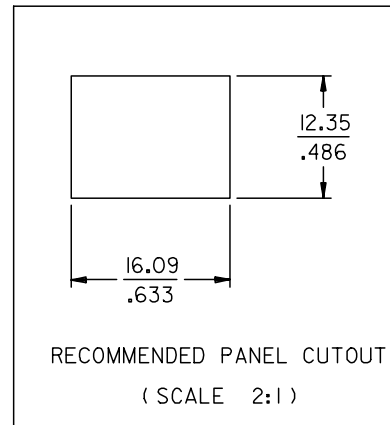
TECHNICAL SPECIFICATIONS:

1- MATERIAL :

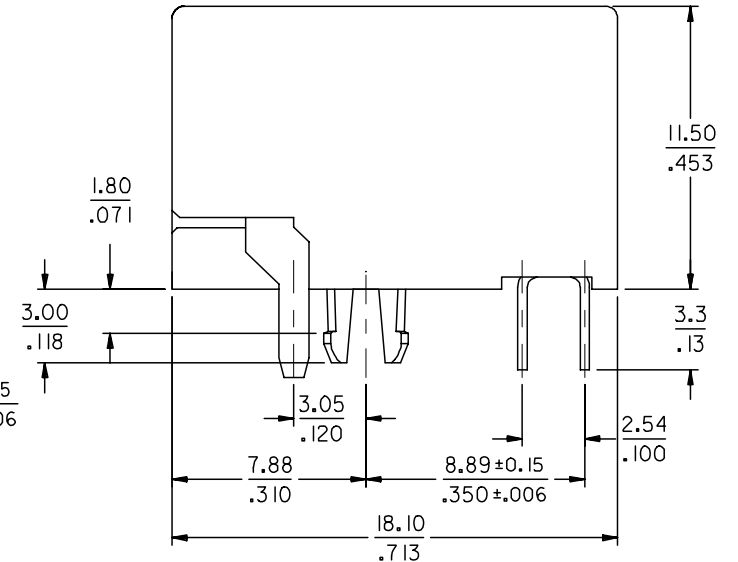
HOUSING : LCP GLASS FILLED UL 94 V-0 COLOUR: BLACK 89992-0612
 TERMINAL : PHOSPHOR BRONZE PLATED WITH :
 0.00127/.000050 MIN GOLD IN CONTACT AREA,
 0.00190/.000075 MIN PURE TIN IN TAIL AREA,
 BOTH OVER 0.00127/.000050 MIN NICKEL OVERALL

SHIELD : BRASS PLATED WITH 0.0020/.000078 MIN TIN

2- P.C. BOARD THICKNESS : 1.57/.062



SEE NOTE 6



NOTES:

- 1- JACK FOR MATING WITH F.C.C. 68 PLUGS (95043 MOLEX SERIES).
- 2- PRODUCT SPECIFICATION: MOLEX PS-85504-001
- 3- APPLICATION SPECIFICATION: SEE AS-85513-001
- 4- PACKAGING SPECIFICATION: MOLEX PK-95040
- 5- EXCEEDS CATEGORY 5E PERFORMANCE
- 6- LOGO MAY BE MXF, MG OR MXI

ORIGINAL LCP. EC NO: E2007-1035 DRWN:DBRYNES 2007/06/26 CHKD: 2007/06/26 APPR:EOMAHONY 2007/07/09	QUALITY SYMBOLS	GENERAL TOLERANCES (UNLESS SPECIFIED)		DIMENSION STYLE	SCALE	DESIGN UNITS	THIRD ANGLE PROJECTION
	▽=0 ▽=0	mm	INCH	MM/IN	5:1	METRIC	
		4 PLACES ± --- ± ---		DRAWN BY	DATE	TITLE	
		3 PLACES ± --- ± .010		FB	99/07/07	RIGHT ANGLE LOW PROFILE CATEGORY 5 SHIELDED PC JACK (THROUGH HOLE)	
	2 PLACES ± 0.25 ± .014		CHECKED BY	DATE	MOLEX MOLEX INCORPORATED		
	1 PLACE ± 0.35 ± ---		APPROVED BY	DATE	MATERIAL NO. 85504-5001		
	ANGULAR ± 2 °		FB		DOCUMENT NO. SD-85504-501		
					SHEET NO. 1 OF 1		
					DRAFT WHERE APPLICABLE MUST REMAIN WITHIN DIMENSIONS		
					THIS DRAWING CONTAINS INFORMATION THAT IS PROPRIETARY TO MOLEX INCORPORATED AND SHOULD NOT BE USED WITHOUT WRITTEN PERMISSION		