

# FIXED PRINTED CIRCUIT Metric Pin Spacing<sup>a</sup> Tubular Screw Clamp

For wire-to-board connections in applications with strict budgets and where infrequent wire terminations are expected.

The popular AK100 is now offered in a single mold design as Type AK102. Please contact Altech for ordering information.

- Multipole, Modular Design
- Wire Protector Standard
- Housing Material: Polyamide 6.6
- Standard Color: Gray

<sup>a</sup>Blocks with US (Inch) pin spacing begin on page 110.



**AK100**  
Front Wire Entry

Pin Spacing 5mm (.197)  
Stripping Length 6mm (.236)  
Screw Hole Diameter 4mm (.158)



**AK105**  
Top Wire Entry

Pin Spacing 5mm (.197)  
Stripping Length 5mm (.197)  
Screw Hole Diameter 3mm (.118)

### Ratings

IEC/VDE

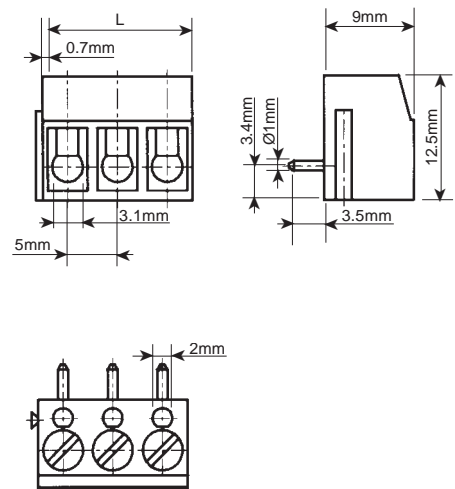
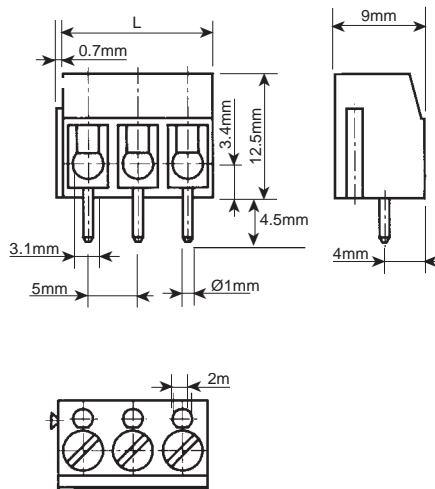
(File No. E101811)

(File No. LR68503)

Wire Range	Current	Voltage	Type	Cat. No.	Length L mm (in.)	Std. Pk.
0.5-2.5mm <sup>2</sup>	16A	250V	AK100/2wp	30.002	10.00 (.39)	100
22-14 AWG	15A	300V	AK100/3wp	30.003	15.00 (.59)	100
22-14 AWG	15A	300V	AK100/4wp	30.004	20.00 (.79)	50
			AK100/5wp	30.005	25.00 (.99)	50
			AK100/6wp	30.006	30.00 (1.18)	50
			AK100/7wp	30.007	35.00 (1.38)	30
			AK100/8wp	30.008	40.00 (1.58)	30
			AK100/9wp	30.009	45.00 (1.77)	30
			AK100/10wp	30.010	50.00 (1.97)	30
			AK100/11wp	30.011	55.00 (2.17)	20
			AK100/12wp	30.012	60.00 (2.36)	20
			AK100/13wp	30.013	65.00 (2.56)	20
			AK100/14wp	30.014	70.00 (2.76)	20
			AK100/15wp	30.015	75.00 (2.95)	20
			AK100/16wp	30.016	80.00 (3.15)	15
			AK100/17wp	30.017	85.00 (3.35)	15
			AK100/18wp	30.018	90.00 (3.54)	15
			AK100/19wp	30.019	95.00 (3.74)	15
			AK100/20wp	30.020	100.00 (3.94)	15
			AK100/21wp	30.021	105.00 (4.13)	10
			AK100/22wp	30.022	110.00 (4.33)	10
			AK100/23wp	30.023	115.00 (4.53)	10
			AK100/24wp	30.024	120.00 (4.72)	10

Wire Range	Current	Voltage	Type	Cat. No.	Length L mm (in.)	Std. Pk.
0.5-2.5mm <sup>2</sup>	16A	250V	AK105/2wp	30.052	10.00 (.39)	100
22-14 AWG	15A	300V	AK105/3wp	30.053	15.00 (.59)	100
22-14 AWG	15A	300V	AK105/4wp	30.054	20.00 (.79)	50
			AK105/5wp	30.055	25.00 (.99)	50
			AK105/6wp	30.056	30.00 (1.18)	50
			AK105/7wp	30.057	35.00 (1.38)	30
			AK105/8wp	30.058	40.00 (1.58)	30
			AK105/9wp	30.059	45.00 (1.77)	30
			AK105/10wp	30.060	50.00 (1.97)	30
			AK105/11wp	30.061	55.00 (2.17)	20
			AK105/12wp	30.062	60.00 (2.36)	20
			AK105/13wp	30.063	65.00 (2.56)	20
			AK105/14wp	30.064	70.00 (2.76)	20
			AK105/15wp	30.065	75.00 (2.95)	20
			AK105/16wp	30.066	80.00 (3.15)	15
			AK105/17wp	30.067	85.00 (3.35)	15
			AK105/18wp	30.068	90.00 (3.54)	15
			AK105/19wp	30.069	95.00 (3.74)	15
			AK105/20wp	30.070	100.00 (3.94)	15
			AK105/21wp	30.071	105.00 (4.13)	10
			AK105/22wp	30.072	110.00 (4.33)	10
			AK105/23wp	30.073	115.00 (4.53)	10
			AK105/24wp	30.074	120.00 (4.72)	10

Dimensions			
mm	in.	mm	in.
0.60	0.024	4.00	0.157
0.70	0.028	4.50	0.177
0.90	0.035	5.00	0.197
1.00	0.039	7.50	0.295
1.10	0.043	9.00	0.354
2.00	0.079	10.00	0.394
2.60	0.102	12.50	0.492
2.70	0.106	15.00	0.591
3.10	0.122	22.50	0.886
3.40	0.134	25.00	0.984
3.50	0.138		





## AK110 Front Wire Entry

Pin Spacing 7.5mm (.295)  
Stripping Length 6mm (.236)  
Screw Hole Diameter 3.5mm (.138)



## AK115 Top Wire Entry

Pin Spacing 7.5mm (.295)  
Stripping Length 5mm (.197)  
Screw Hole Diameter 3.5mm (.138)



## AK600 Front Wire Entry

Pin Spacing 10mm (.394)  
Stripping Length 6mm (.236)  
Screw Hole Diameter 3mm (.118)

Wire Range	Current	Voltage
0.5-2.5mm <sup>2</sup>	16A	500V
22-14 AWG	15A	300V
22-14 AWG	15A	300V

Type	Cat. No.	Length L mm (in.)	Std. Pk.
AK110/2wp	30.102	15.00 (.59)	100
AK110/3wp	30.103	22.50 (.89)	100
AK110/4wp	30.104	30.00 (1.18)	50
AK110/5wp	30.105	37.50 (1.48)	50
AK110/6wp	30.106	45.00 (1.77)	50
AK110/7wp	30.107	52.50 (2.08)	30
AK110/8wp	30.108	60.00 (2.36)	30
AK110/9wp	30.109	67.50 (2.66)	30
AK110/10wp	30.110	75.00 (2.95)	30
AK110/11wp	30.111	82.50 (3.25)	20
AK110/12wp	30.112	90.00 (3.54)	20
AK110/13wp	30.113	97.50 (3.84)	20
AK110/14wp	30.114	105.00 (4.13)	20
AK110/15wp	30.115	112.50 (4.43)	20
AK110/16wp	30.116	120.00 (4.73)	15
AK110/17wp	30.117	127.50 (5.02)	15
AK110/18wp	30.118	135.00 (5.32)	15
AK110/19wp	30.119	142.50 (5.61)	15
AK110/20wp	30.120	150.00 (5.91)	15
AK110/21wp	30.121	157.50 (6.20)	10
AK110/22wp	30.122	165.00 (6.50)	10
AK110/23wp	30.123	172.50 (6.79)	10
AK110/24wp	30.124	180.00 (7.09)	10

Wire Range	Current	Voltage
0.5-2.5mm <sup>2</sup>	16A	500V
22-14 AWG	15A	300V
22-14 AWG	15A	300V

Type	Cat. No.	Length L mm (in.)	Std. Pk.
AK115/2wp	30.152	15.00 (.59)	100
AK115/3wp	30.153	22.50 (.89)	100
AK115/4wp	30.154	30.00 (1.18)	50
AK115/5wp	30.155	37.50 (1.48)	50
AK115/6wp	30.156	45.00 (1.77)	50
AK115/7wp	30.157	52.50 (2.08)	30
AK115/8wp	30.158	60.00 (2.36)	30
AK115/9wp	30.159	67.50 (2.66)	30
AK115/10wp	30.160	75.00 (2.95)	30
AK115/11wp	30.161	82.50 (3.25)	20
AK115/12wp	30.162	90.00 (3.54)	20
AK115/13wp	30.163	97.50 (3.84)	20
AK115/14wp	30.164	105.00 (4.13)	20
AK115/15wp	30.165	112.50 (4.43)	20
AK115/16wp	30.166	120.00 (4.73)	15
AK115/17wp	30.167	127.50 (5.02)	15
AK115/18wp	30.168	135.00 (5.32)	15
AK115/19wp	30.169	142.50 (5.61)	15
AK115/20wp	30.170	150.00 (5.91)	15
AK115/21wp	30.171	157.50 (6.20)	10
AK115/22wp	30.172	165.00 (6.50)	10
AK115/23wp	30.173	172.50 (6.79)	10
AK115/24wp	30.174	180.00 (7.09)	10

Wire Range	Current	Voltage
0.5-1.5mm <sup>2</sup>	16A	500V
22-14 AWG	15A	300V
22-14 AWG	15A	300V

Type	Cat. No.	Length L mm (in.)	Std. Pk.
AK600/2wp	34.402	15.00 (.59)	100
AK600/3wp	34.403	25.00 (.99)	50
AK600/4wp	34.404	35.00 (1.38)	30
AK600/5wp	34.405	45.00 (1.77)	30
AK600/6wp	34.406	55.00 (2.17)	20
AK600/7wp	34.407	65.00 (2.56)	20
AK600/8wp	34.408	75.00 (2.95)	20
AK600/9wp	34.409	85.00 (3.35)	15
AK600/10wp	34.410	95.00 (3.74)	15
AK600/11wp	34.411	105.00 (4.13)	10
AK600/12wp	34.412	115.00 (4.53)	10

