

### EMI Filtering TVS For USB Port

#### FEATURES

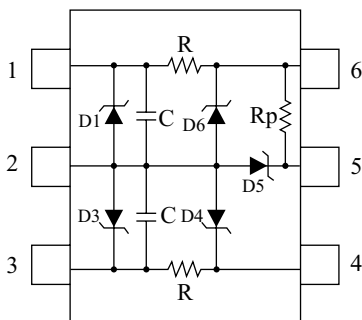
- EMI/RFI filtering.
- ESD Protection to IEC 61000-4-2 Level 4.
- Low insertion loss.
- Good attenuation of high frequency signals.
- Low clamping voltage.
- Low operating and leakage current.

#### MAXIMUM RATING (Ta=25 °C)

CHARACTERISTIC	SYMBOL	RATING	UNIT
Power Dissipation	*P <sub>D</sub>	200	mW
Junction Temperature	T <sub>j</sub>	150	°C
Storage Temperature	T <sub>stg</sub>	-55 ~ 150	°C

\* Total Package Power Dissipation

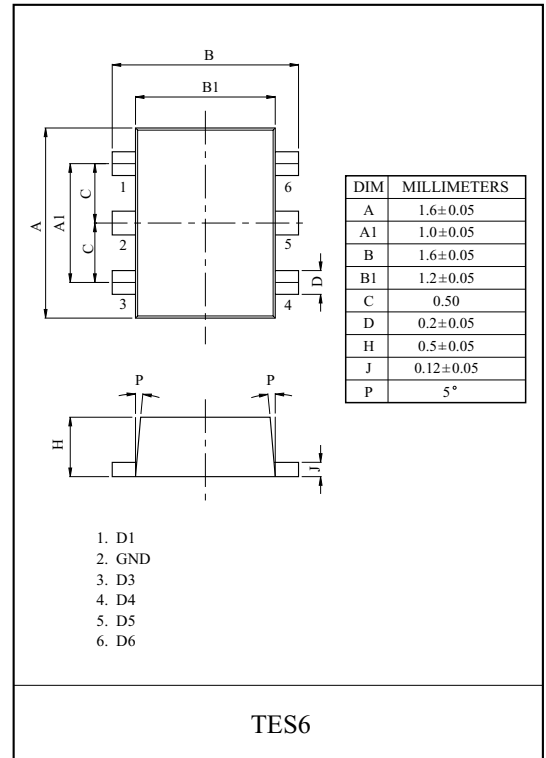
#### EQUIVALENT CIRCUIT



#### ELECTRICAL CHARACTERISTICS (Ta=25 °C)

CHARACTERISTIC	SYMBOL	TEST CONDITION	MIN.	TYP.	MAX.	UNIT
Reverse Stand-Off Voltage	V <sub>RWM</sub>	-	-	-	5	V
Reverse Breakdown Voltage	V <sub>BR</sub>	I <sub>t</sub> =1mA	6	-	-	V
Reverse Leakage Current	I <sub>R</sub>	V <sub>RWM</sub> =3.3V	-	-	0.5	μA
Resistance	R	Between Input and Output	-	22	-	Ω
	R <sub>p</sub>	Between Pin5 and Pin 6	-	1.5	-	kΩ
Capacitance	C	V <sub>R</sub> =0V, Between I/O Pins and GND	-	47	-	pF

# TENTATIVE



#### MARKING

