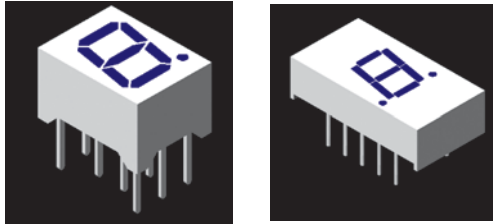


LED Displays ~ Seven Segment ~ Numeric



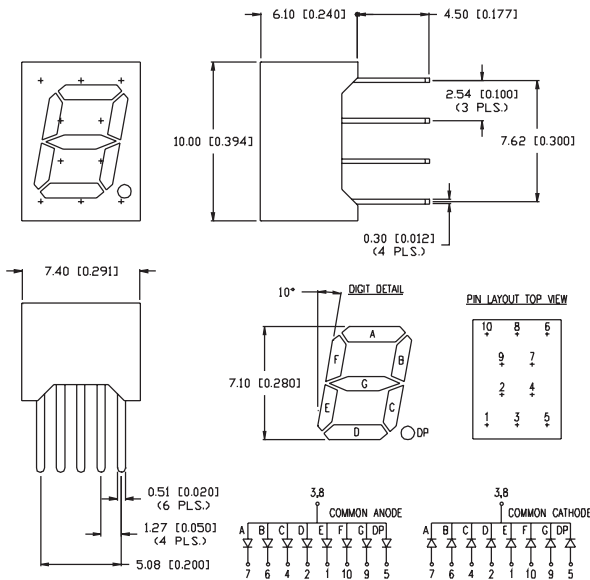
Single Digit



Features/Options

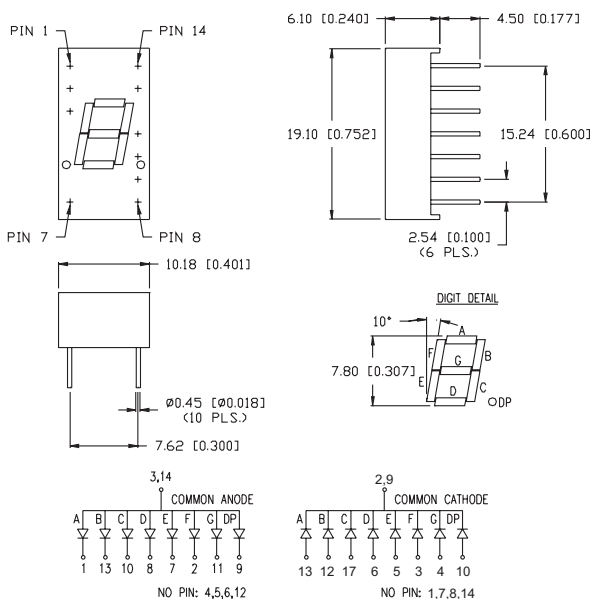
- ▶ Standard and high brightness chips
- ▶ Intensity grading available
- ▶ Custom sizes at minimal tooling
- ▶ Face and segment off colors in grey and milky white

0.28" single digit



Part Number	Wave Length (nm)	Brightness (μ cd) @ 10mA	V _f (typ) 10mA	V _f (max) 10mA	Emitted Color	Polarity (common)
LDS-A2802RI	565	2500	2.2	2.6	Green	Anode
LDS-A2804RI	635	2500	2.0	2.5	Red	Anode
LDS-A2806RI	660	8000	1.7	2.2	Red	Anode
LDS-A2802RI-SUG	574	7000	2.2	2.6	Green	Anode
LDS-A2804RI-SI	636	15,000	2.0	2.6	Red	Anode
LDS-A2807RI-USB	470	6000	3.5	4.0	Blue	Anode
LDS-C2802RI	565	2500	2.2	2.6	Green	Cathode
LDS-C2804RI	635	2500	2.0	2.5	Red	Cathode
LDS-C2806RI	660	8000	1.7	2.2	Red	Cathode
LDS-C2802RI-SUG	574	7000	2.2	2.6	Green	Cathode
LDS-C2804RI-SI	636	15,000	2.0	2.6	Red	Cathode
LDS-C2807RI-USB	470	6000	3.5	4.0	Blue	Cathode

0.30" single digit



Part Number	Wave Length (nm)	Brightness (μ cd) @ 10mA	V _f (typ) 10mA	V _f (max) 10mA	Emitted Color	Polarity (common)
LDS-A302RI	565	2500	2.2	2.6	Green	Anode
LDS-A304RI	635	2500	2.0	2.5	Red	Anode
LDS-A306RI	660	8000	1.7	2.2	Red	Anode
LDS-A302RI-SUG	574	7000	2.2	2.6	Green	Anode
LDS-A304RI-SI	636	15,000	2.0	2.6	Red	Anode
LDS-A307RI-USB	470	6000	3.5	4.0	Blue	Anode
LDS-C302RI	565	2500	2.2	2.6	Green	Cathode
LDS-C304RI	635	2500	2.0	2.5	Red	Cathode
LDS-C306RI	660	8000	1.7	2.2	Red	Cathode
LDS-C302RI-SUG	574	7000	2.2	2.6	Green	Cathode
LDS-C304RI-SI	636	15,000	2.0	2.6	Red	Cathode
LDS-C307RI-USB	470	6000	3.5	4.0	Blue	Cathode



USA/Canada +1-800-278-5666
Europe +49-6081-964380
Asia +886-3-5821124



www.lumex.com



USA/Canada +1-847-359-8904
Europe +49-6081-964381
Asia +886-3-5821154

- 1
- 2
- 3
- 4
- 5
- 6
- 7
- 8
- 9
- 10
- 11
- 12
- 13
- 14
- 15
- 16
- 17
- 18
- 19
- 20
- 21
- 22
- 23
- 24
- 25
- 26
- 27
- 28
- 29