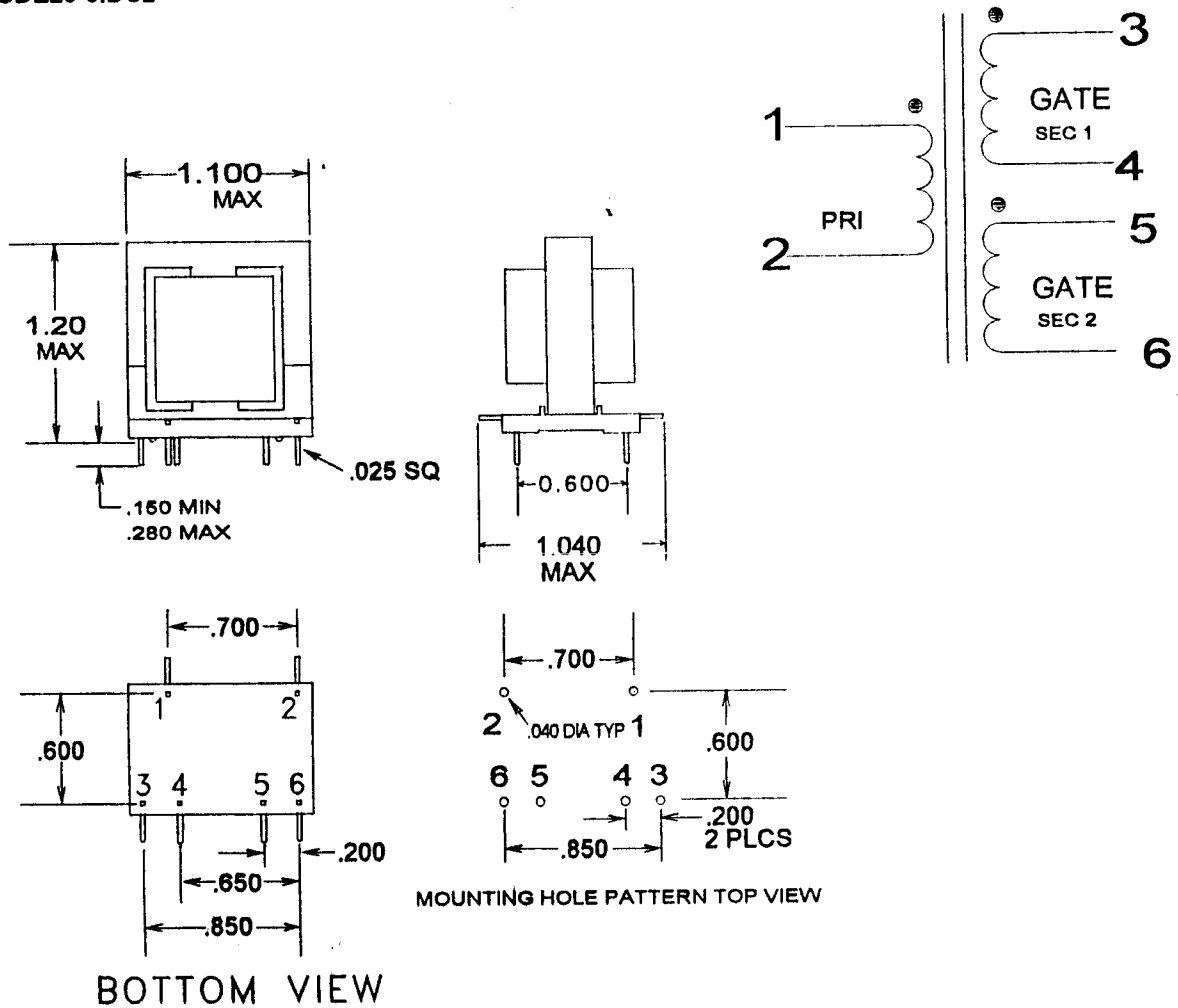


TOLERANCE UNLESS SPECIFIED = .XXX = +/- .005 .XX = +/- .015 FRACTIONS = +/- .032

GDE25-6.DC2



PRODUCTION TESTS

TURNS RATIO = 100%	
DC RESISTANCE IN OHMS	(1 - 2) .180 MAX
	(3 - 4) 1.00 MAX
	(5 - 6) 1.10 MAX
APPLY = .1V @ 10 KHz PIN (1 - 2)	
INDUCTANCE = 680 uHYS MIN	
LEAKAGE INDUCTANCE = 3.50 uHYS MAX	
WITH 3 TO 6 SHORTED AND 5 TO 6 SHORTED	
HIPOT = 4125 VRMS 1 SEC MIN PRI TO SEC	
2500 VRMS 1 SEC MIN SEC TO CORE	
2500 VRMS 1 SEC MIN PRI TO CORE	
2500 VRMS 1 SEC MIN SEC TO SEC	
CONTINUITY -	

FINAL ASSEMBLY NOTES

MagneTek

PART NO.

GDE25-6