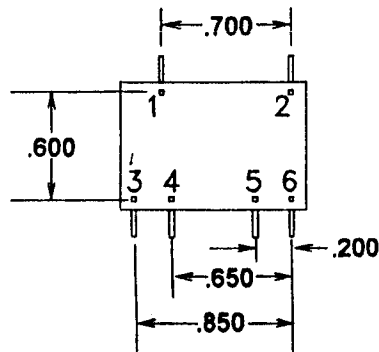
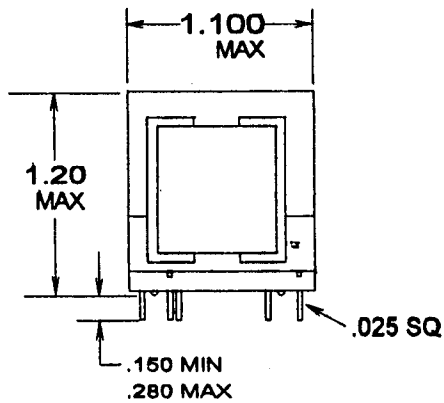
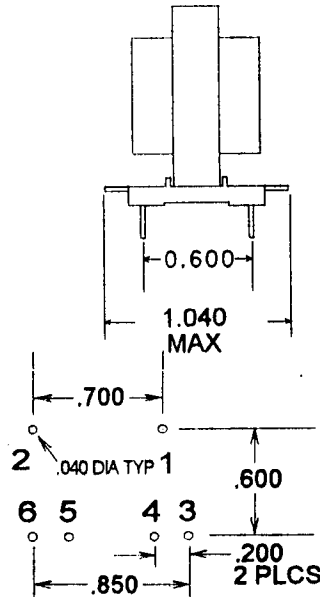


TOLERANCE UNLESS SPECIFIED = .XXX= +/- .005 .XX= +/- .015 FRACTIONS= +/- .032

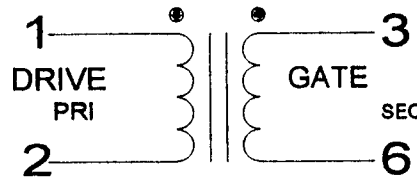
GDE25-1.DC2



BOTTOM VIEW



MOUNTING HOLE PATTERN TOP VIEW



PRODUCTION TESTS

URNS RATIO = 100%

DC RESISTANCE IN OHMS	(1 - 2) .350 MAX
	(3 - 6) .350 MAX

APPLY = .1V @ 10 KHz PIN (1 - 2)

INDUCTANCE = 680 uHYS MIN

LEAKAGE INDUCTANCE = 2.50 uHYS MAX 1 TO 2
WITH 3 TO 6 SHORTED

HIPOT = 4125 VRMS 1 SEC MIN PRI TO SEC
2500 VRMS 1 SEC MIN SEC TO CORE
2500 VRMS 1 SEC MIN PRI TO CORE

CONTINUITY = _____
IMPREGNATION NOTES = _____

MagneTek

PART NO. GDE25-1