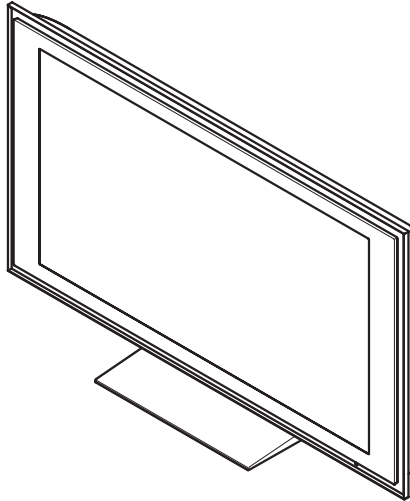


KLV-40X200A/46X200A KLV-40X250A/46X250A

SERVICE MANUAL

GA Model



FIX CHASSIS

SPECIFICATIONS

Display Unit

Power Requirements:

110–240 V AC, 50/60 Hz

Screen Size:

KLV-46X200A/46X250A: 46 inches

KLV-40X200A/40X250A: 40 inches

Display Resolution:

1,920 dots (horizontal) × 1,080 lines (vertical)

Power Consumption:

KLV-46X200A/46X250A: 260 W

KLV-40X200A/40X250A: 220 W

Standby Power Consumption:

0.5 W

Dimensions (w × h × d):

KLV-46X200A:

Approx. 1,262 × 795 × 322 mm (with stand)

Approx. 1,262 × 734 × 121 mm (without stand)

KLV-46V250A:

Approx. 1,262 × 795 × 322 mm (with stand)

Approx. 1,262 × 734 × 123 mm (without stand)

KLV-40X200A:

Approx. 1,111 × 717 × 322 mm (with stand)

Approx. 1,111 × 657 × 121 mm (without stand)

KLV-40X250A:

Approx. 1,111 × 717 × 322 mm (with stand)

Approx. 1,111 × 657 × 123 mm (without stand)

Weight:

KLV-46X200A/46X250A:

Approx. 41.0 kg (with stand)

Approx. 36.0 kg (without stand)

KLV-40X200A/40X250A:

Approx. 35.0 kg (with stand)

Approx. 30.0 kg (without stand)

Panel System

LCD (Liquid Crystal Display) Panel

TV System

B/G, I, D/K, M

Color/Video System

PAL, SECAM, NTSC 3.58, NTSC4.43 (only Video In)

Antenna

75 ohm external terminal

Channel Coverage

B/G

VHF: E2 to E12 / UHF: E21 to E69 /

CATV: S01 to S03, S1 to S41

VHF: 0 to 12, 5A, 9A / UHF: 28 to 69 /

CATV: S01 to S03, S1 to S41 (Australia only)

VHF: 1 to 11 / UHF: 21 to 69 /

CATV: S01 to S03, S1 to S41 (New Zealand only)

I

UHF: B21 to B69 / CATV: S01 to S03, S1 to S41

D/K

VHF: C1 to C12, R1 to R12 / UHF: C13 to C57,

R21 to R60 /

CATV: S01 to S03, S1 to S41, Z1 to Z39

M

VHF: A2 to A13 / UHF: A14 to A79 /

CATV: A-8 to A-2, A to W+4, W+6 to W+84

LCD Colour TV

SONY®

Terminals

→ 1, 2

Supported formats: 1080i, 720p, 576p, 576i, 480p, 480i
 Y: 1 Vp-p, 75 ohms, 0.3V negative sync
 PB/CB: 0.7 Vp-p, 75 ohms
 PR/CR: 0.7 Vp-p, 75 ohms

S → 1, 2

S video input (4-pin mini DIN)

→ 1, 2, 3

Video input (phono jack)

→ 1, 2, 3

Audio input (phono jacks)

500 mVrms

Impedance: 47 kilohms

HDMI IN 1, 2

Video: 1080p, 1080i, 720p, 576p, 576i, 480p, 480i

Audio: Two channel linear PCM

32, 44.1 and 48 kHz, 16, 20 and 24 bits, or
 analog audio input (phono jacks)

500 mVrms

Impedance: 47 kilohms

(HDMI IN 2 only)

↔ Video output (phono jack)

↔ Audio output (phono jacks)

→ (RGB) PC IN

PC Input (D-sub 15-pin) (see page 40)

G: 0.7 Vp-p, 75 ohms, non Sync on Green

B: 0.7 Vp-p, 75 ohms

R: 0.7 Vp-p, 75 ohms

HD: 1-5 Vp-p

VD: 1-5 Vp-p

→ PC IN

PC audio input (minijack)

↻ Headphones jack

Sound Output

11 W + 11 W

Optional Accessories

- Wall-Mount Bracket SU-WL51
- TV stand SU-FL61
- Colour Variation Unit:
 CRU-46X1 (for KLV-46X200A/46X250A)
 CRU-40X1 (for KLV-40X200A/40X250A)

Design and specifications are subject to change without notice.

PC Input Signal Reference Chart

Signals	Horizontal (Pixel)	Vertical (Line)	Horizontal frequency (kHz)	Vertical frequency (Hz)	Standard
VGA	640	480	31.5	60	VGA
	640	480	37.5	75	VESA
	720	400	31.5	70	VGA-T
SVGA	800	600	37.9	60	VESA Guidelines
	800	600	46.9	75	VESA
XGA	1024	768	48.4	60	VESA Guidelines
	1024	768	56.5	70	VESA
	1024	768	60	75	VESA
WXGA	1280	768	47.4	60	VESA
	1280	768	47.8	60	VESA
	1360	768	47.7	60	VESA

- This TV's PC input does not support Sync on Green or Composite Sync.
- This TV's PC input does not support interlaced signals.
- For the best picture quality, it is recommended to use the signals (boldfaced) in the above chart with a 60 Hz vertical frequency from a personal computer. In plug and play, signals with a 60 Hz vertical frequency will be selected automatically.

SAFETY CHECK-OUT

After correcting the original service problem, perform the following safety checks before releasing the set to the customer:

1. Check the area of your repair for unsoldered or poorly-soldered connections. Check the entire board surface for solder splashes and bridges.
2. Check the interboard wiring to ensure that no wires are “pinched” or contact high-wattage resistors.
3. Check that all control knobs, shields, covers, ground straps, and mounting hardware have been replaced. Be absolutely certain that you have replaced all the insulators.
4. Look for unauthorized replacement parts, particularly transistors, that were installed during a previous repair. Point them out to the customer and recommend their replacement.
5. Look for parts which, though functioning, show obvious signs of deterioration. Point them out to the customer and recommend their replacement.
6. Check the line cords for cracks and abrasion. Recommend the replacement of any such line cord to the customer.
7. Check the antenna terminals, metal trim, “metallized” knobs, screws, and all other exposed metal parts for AC Leakage. Check leakage as described right.

LEAKAGE TEST

The AC leakage from any exposed metal part to earth ground and from all exposed metal parts to any exposed metal part having a return to chassis, must not exceed 0.5 mA (500 microamperes).

Leakage current can be measured by any one of three methods.

1. A commercial leakage tester, such as the Simpson 229 or RCA WT-540A. Follow the manufacturers’ instructions to use these instruments.
2. A battery-operated AC milliammeter. The Data Precision 245 digital multimeter is suitable for this job.
3. Measuring the voltage drop across a resistor by means of a VOM or battery-operated AC voltmeter. The “limit” indication is 0.75 V, so analog meters must have an accurate low-voltage scale. The Simpson 250 and Sanwa SH-63Trd are examples of a passive VOMs that are suitable. Nearly all battery operated digital multimeters that have a 2 V AC range are suitable. (See Fig. A)

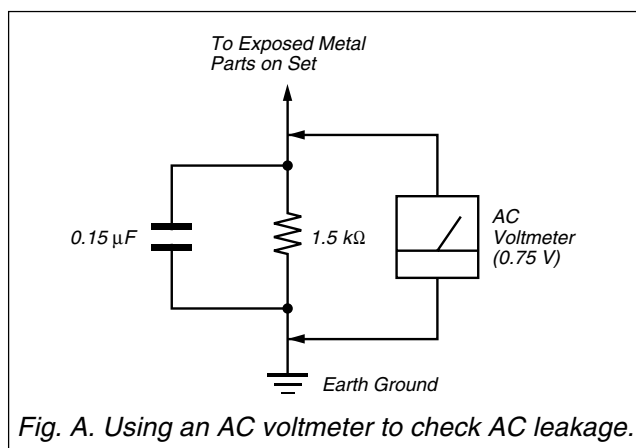


Fig. A. Using an AC voltmeter to check AC leakage.

WARNING!!

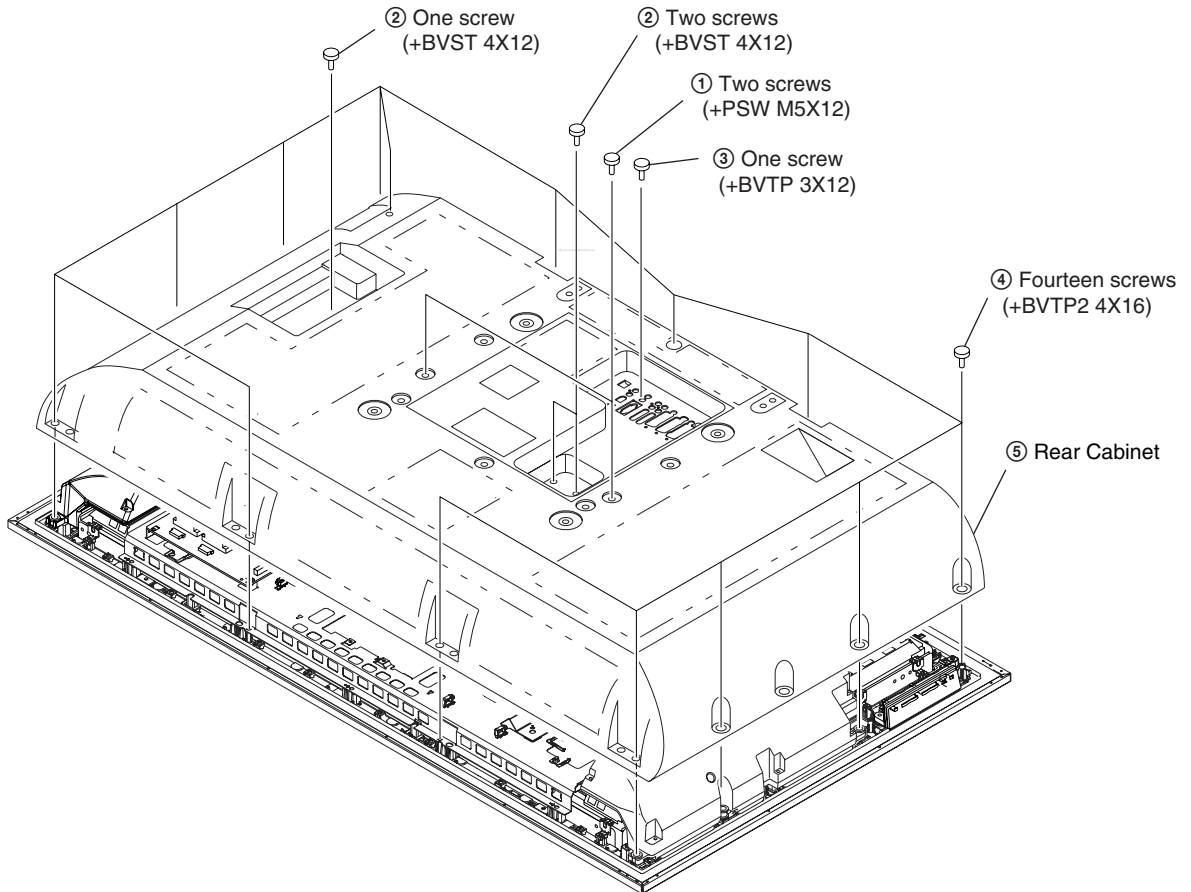
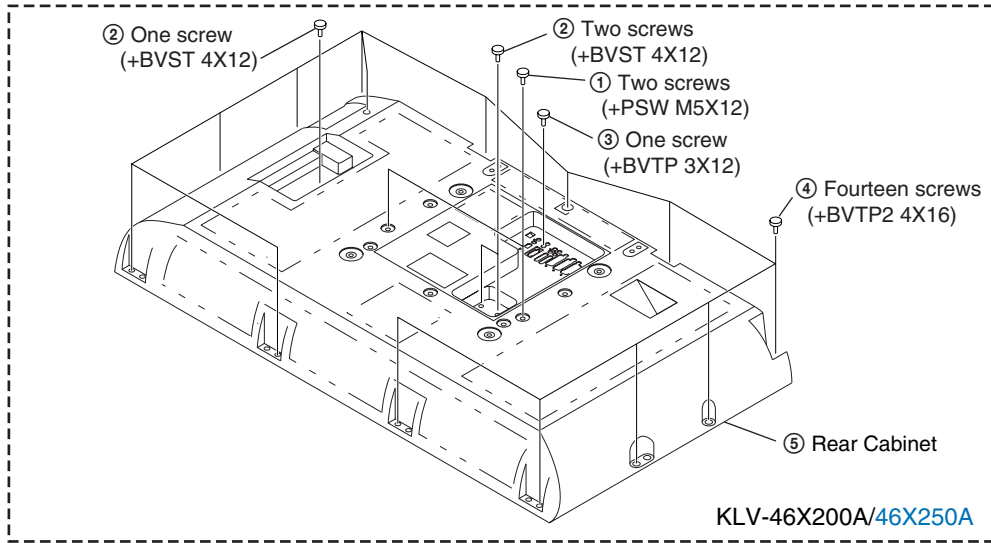
SAFETY-RELATED COMPONENT WARNING!!
COMPONENTS IDENTIFIED BY SHADING AND MARK \triangle ON THE SCHEMATIC DIAGRAMS, EXPLODED VIEWS AND IN THE PARTS LIST ARE CRITICAL FOR SAFE OPERATION. REPLACE THESE COMPONENTS WITH SONY PARTS WHOSE PART NUMBERS APPEAR AS SHOWN IN THIS MANUAL OR IN SUPPLEMENTS PUBLISHED BY SONY. CIRCUIT ADJUSTMENTS THAT ARE CRITICAL FOR SAFE OPERATION ARE IDENTIFIED IN THIS MANUAL. FOLLOW THESE PROCEDURES WHENEVER CRITICAL COMPONENTS ARE REPLACED OR IMPROPER OPERATION IS SUSPECTED.

TABLE OF CONTENTS

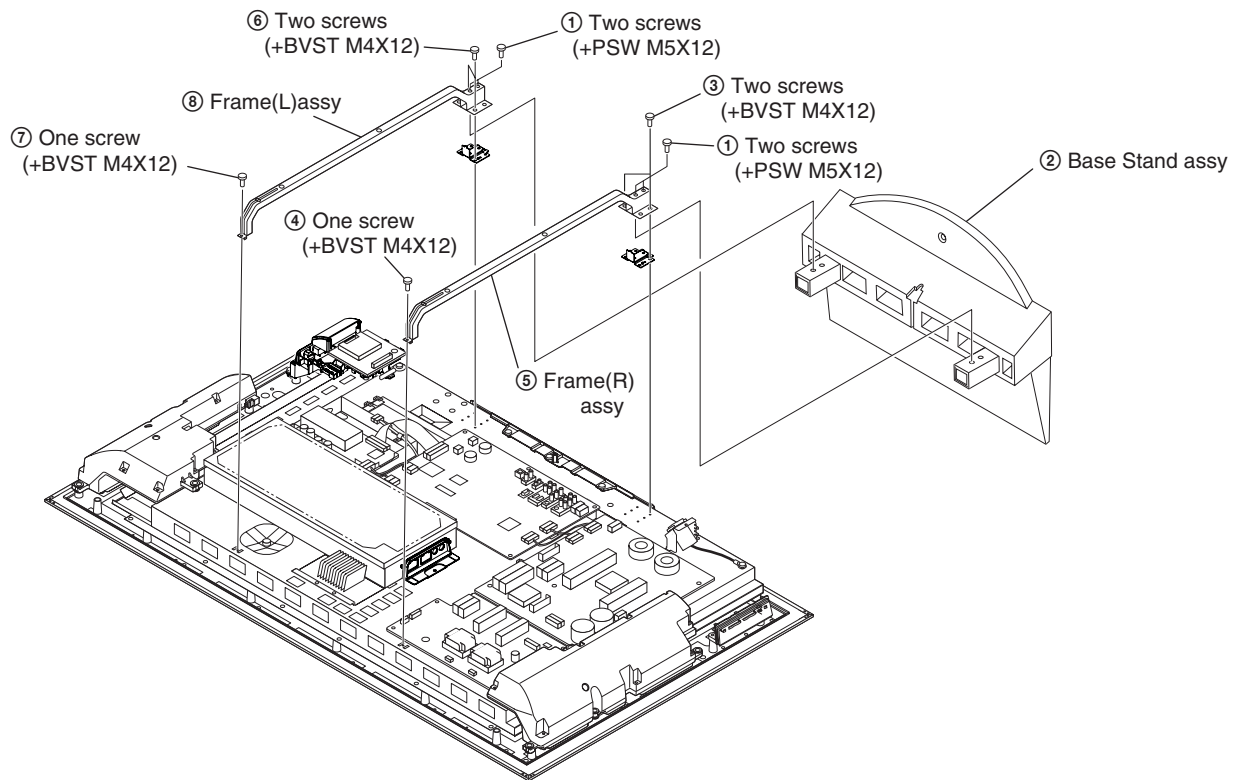
1. DISASSEMBLY	1-1
1-1. REAR CABINET ASSY REMOVAL	1-1
1-2. STAND ASSY REMOVAL	1-2
1-3. SPEAKER REMOVAL	1-2
1-4. H1 BOARD REMOVAL	1-3
1-5. H2 BOARD REMOVAL	1-3
1-6. G1, D1 AND D2 BOARDS REMOVAL	1-4
1-7. D3 BOARD REMOVAL (KLV-46X200A/46X250A)	1-5
1-8. AG BOARD REMOVAL	1-5
1-9. B2, FXE AND TUG BOARDS REMOVAL	1-6
1-10. H3 AND H4 BOARDS REMOVAL	1-7
1-11. CHASSIS BRACKET ASSY REMOVAL	1-7
1-12. LCD PANEL REMOVAL	1-8
2. DIAGRAMS	2-1
2-1. BLOCK DIAGRAM	2-1
2-2. FRAME DIAGRAMS	2-2
(1) KLV-40X200A/40X250A	2-2
(2) KLV-46X200A/46X250A	2-3
2-3. CIRCUIT BOARDS LOCATION	2-4
(1) KLV-40X200A/40X250A	2-4
(2) KLV-46X200A/46X250A	2-4
2-4. SCHEMATIC DIAGRAMS AND PRINTED WIRING BOARDS	2-4
(1) Schematic Diagrams of AG Board	2-5
(2) Schematic Diagrams of B2 Board	2-16
(3) Schematic Diagram of D1 Board (KLV-40X200A/40X250A)	2-33
(4) Schematic Diagram of D2 Board (KLV-46X200A/46X250A)	2-35
(5) Schematic Diagram of D3 Board (KLV-46X200A/46X250A)	2-37
(6) Schematic Diagrams of FXE Board	2-39
(7) Schematic Diagram of G1 Board	2-48
(8) Schematic Diagram of H1 Board	2-50
(9) Schematic Diagram of H2 Board	2-51
(10) Schematic Diagram of H3 Board	2-53
(11) Schematic Diagram of H4 Board	2-54
(12) Schematic Diagrams of TUG Board	2-55
2-5. SEMICONDUCTORS	2-57
3. EXPLODED VIEWS	3-1
3-1. REAR CABINET AND STAND ASSY	3-2
3-2. ARM AND UNDER COVER	3-3
3-3. CHASSIS-1	3-4
3-4. CHASSIS-2	3-5
3-5. CHASSIS BRACKET ASSY AND SPEAKER	3-6
3-6. BEZEL ASSY AND LCD PANEL	3-7
3-7. PACKING MATERIALS	3-8
4. ELECTRICAL PARTS LIST	4-1

SECTION 1 DISASSEMBLY

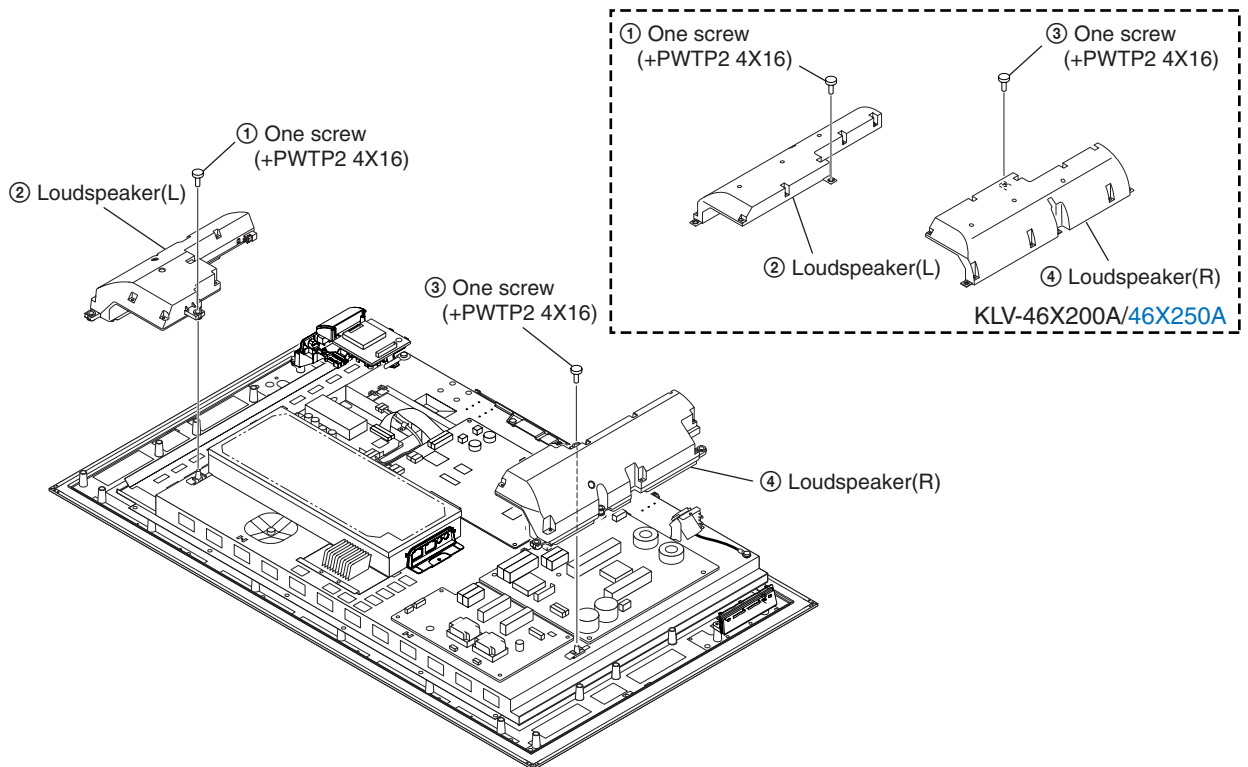
1-1. REAR CABINET ASSY REMOVAL



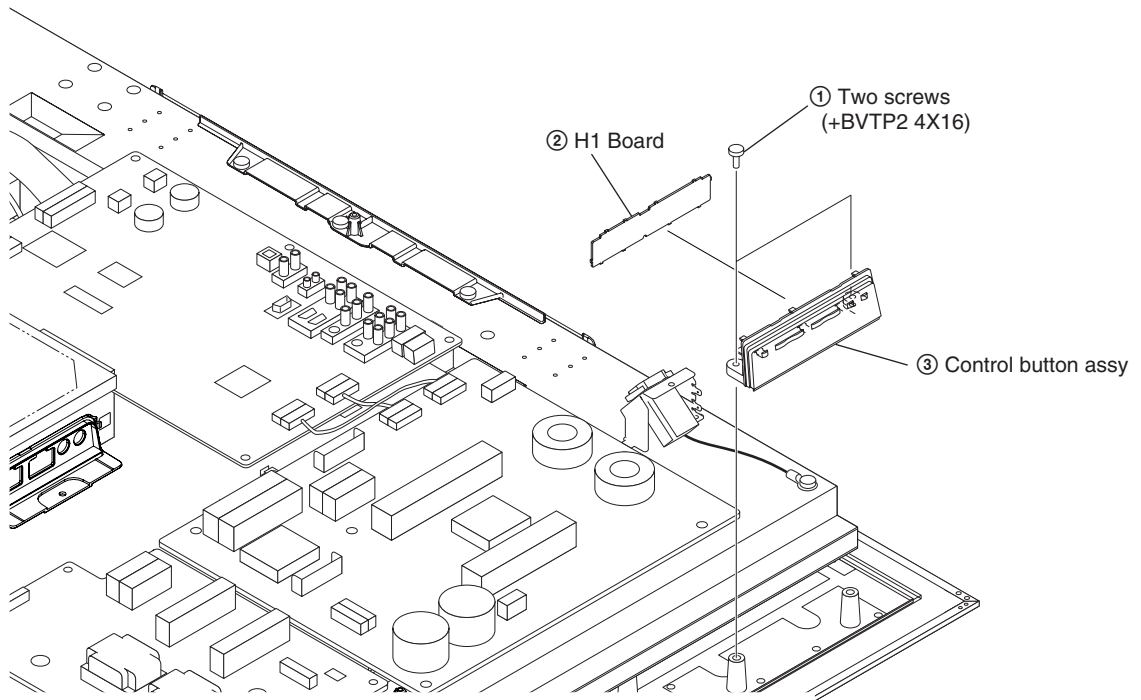
1-2. STAND ASSY REMOVAL



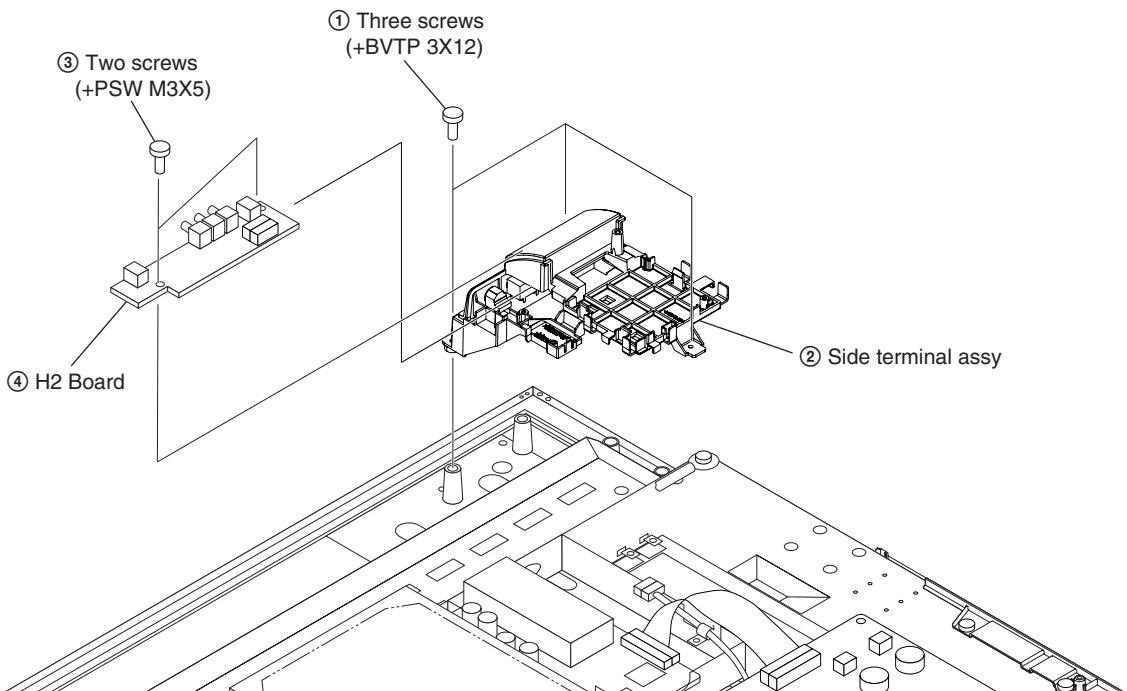
1-3. SPEAKER REMOVAL



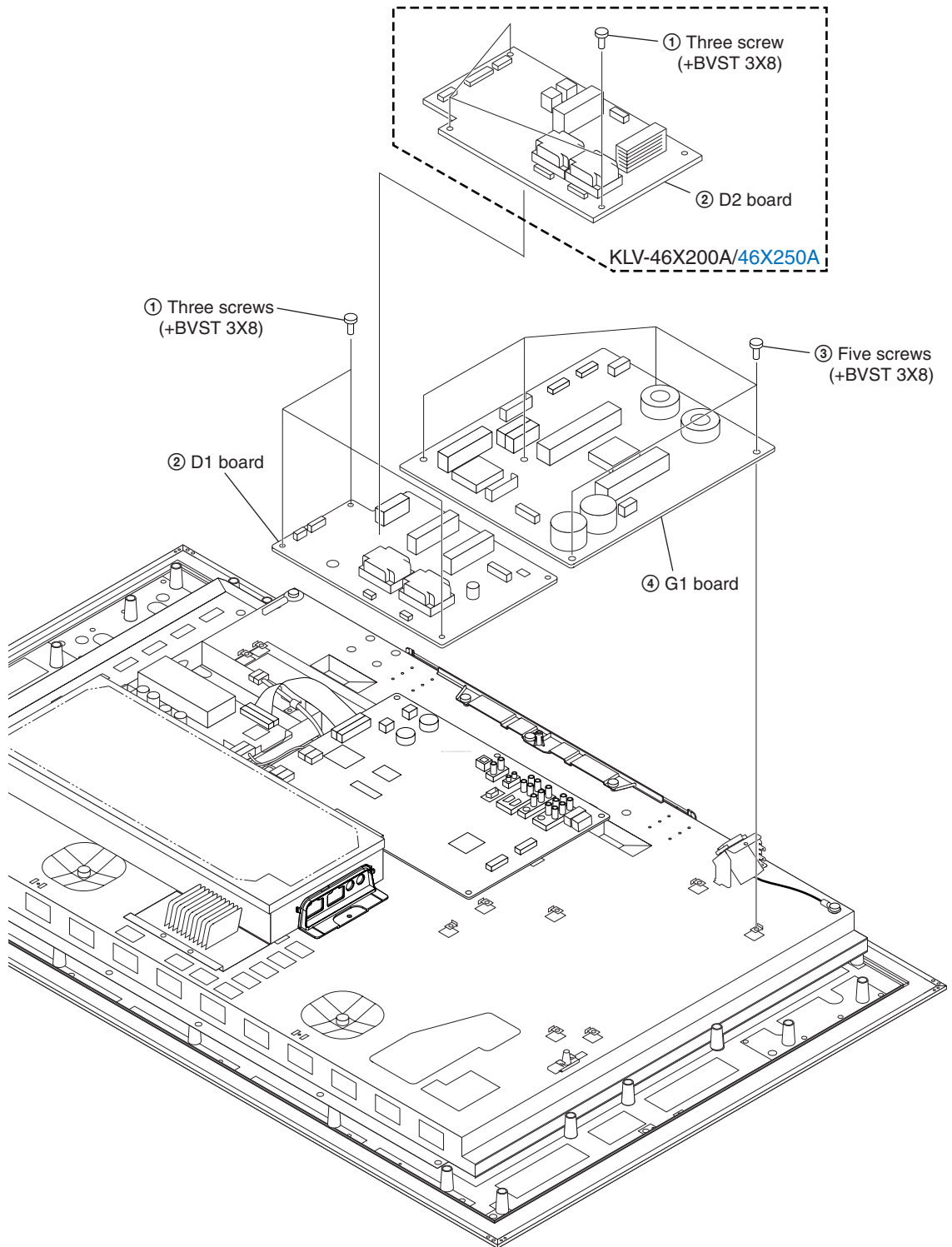
1-4. H1 BOARD REMOVAL



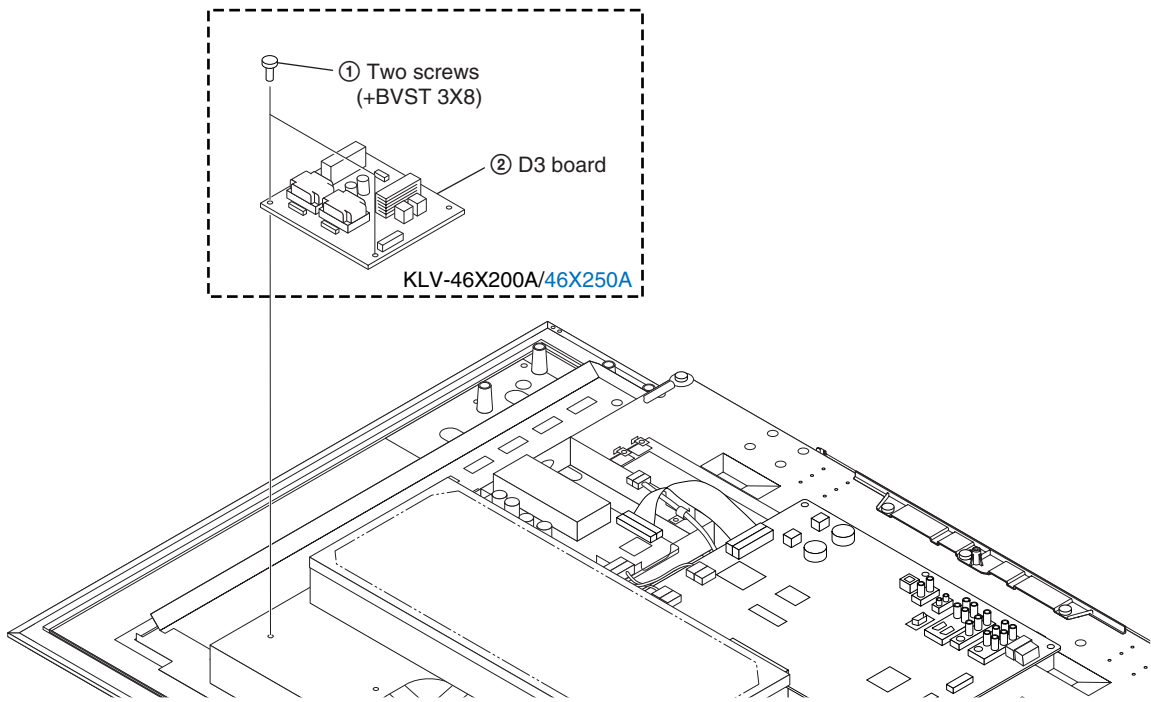
1-5. H2 BOARD REMOVAL



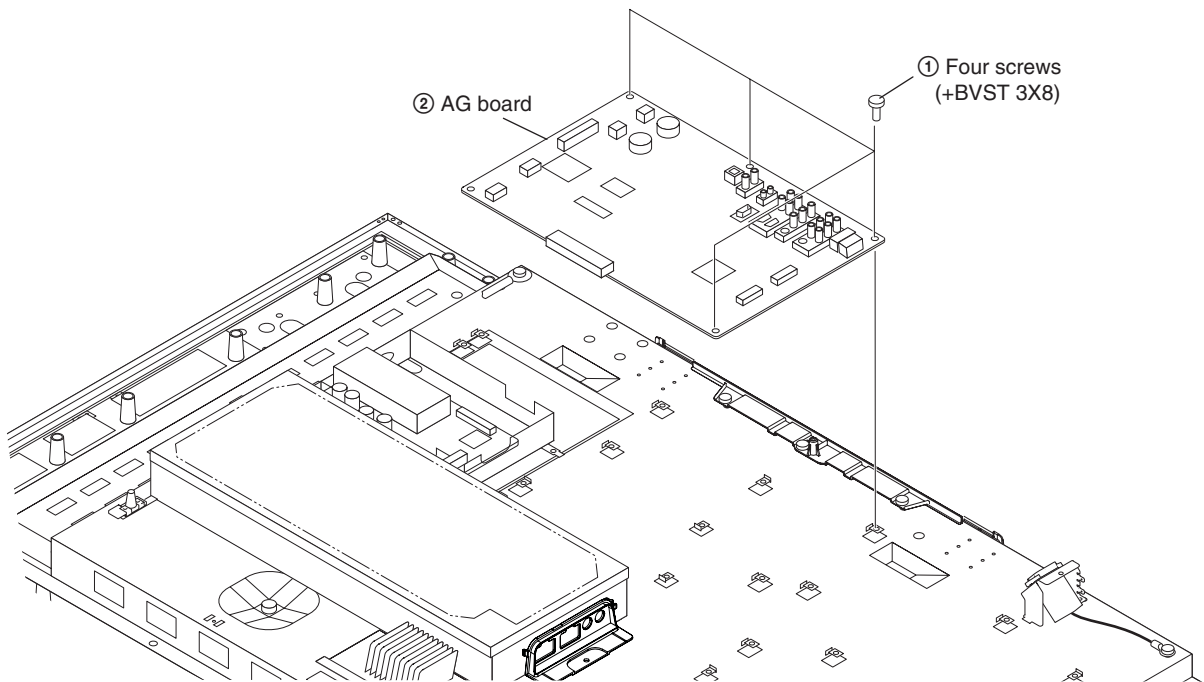
1-6. G1, D1 AND D2 BOARDS REMOVAL



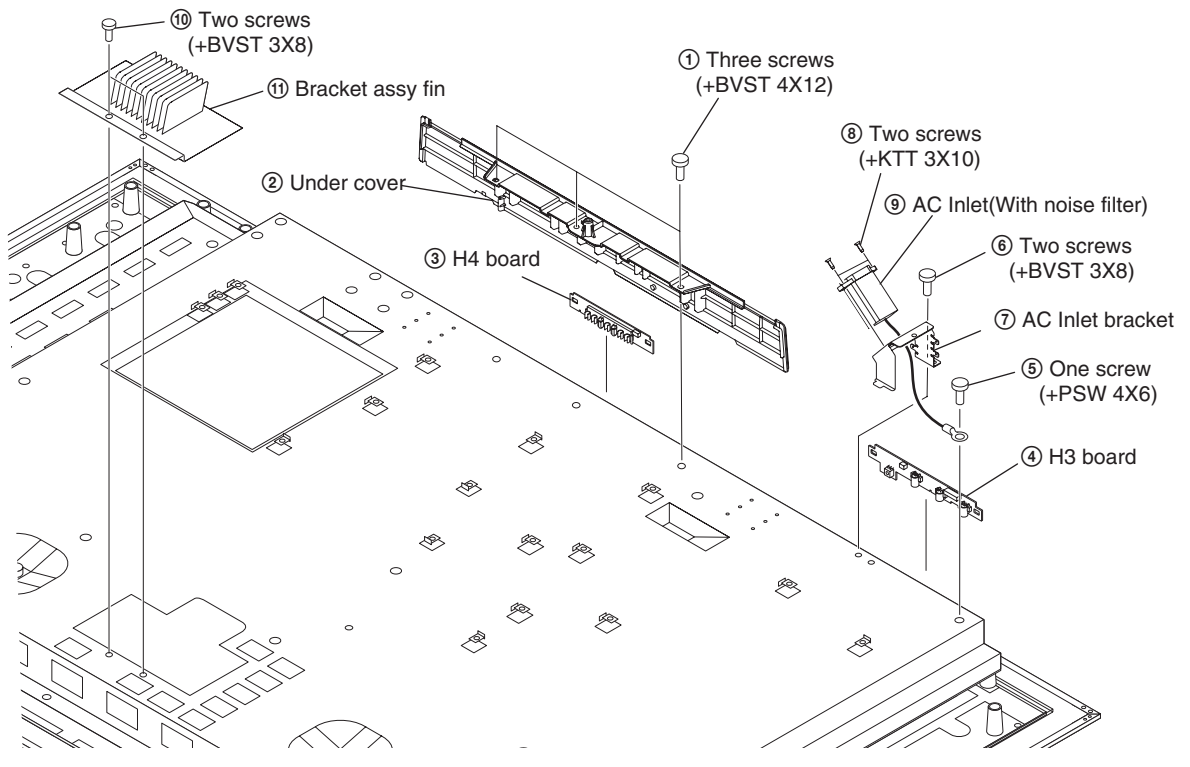
1-7. D3 BOARD REMOVAL (KLV-46X200A/46X250A)



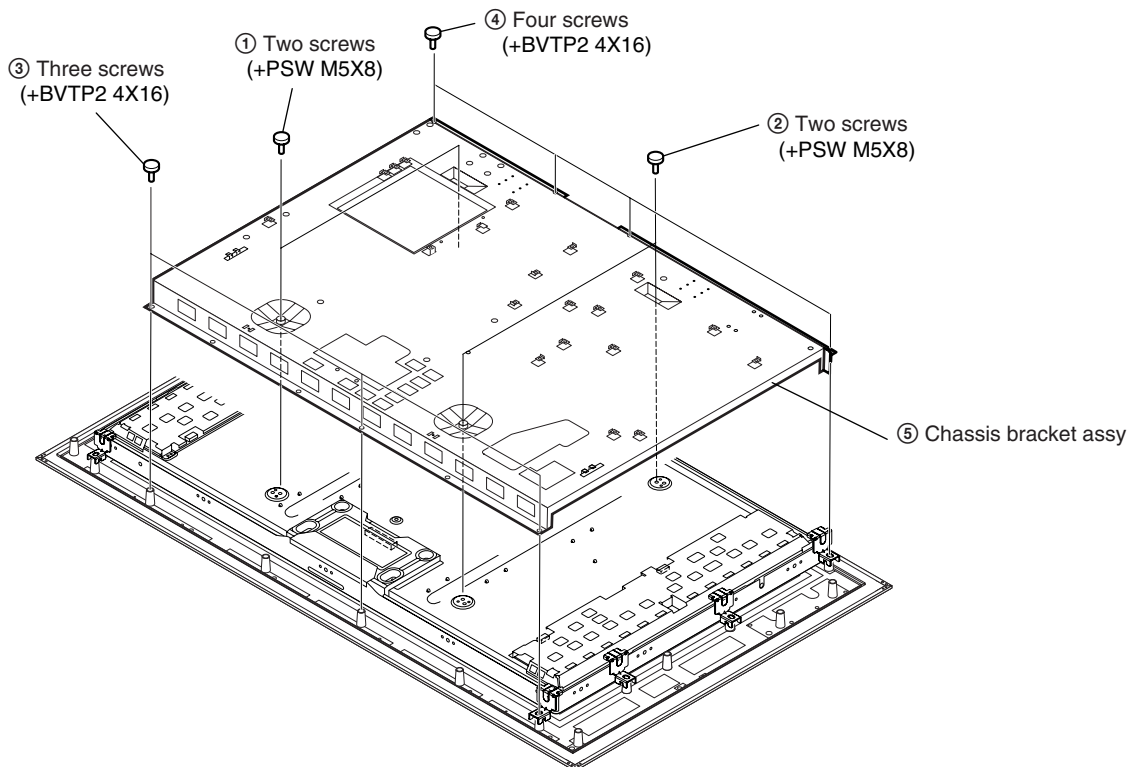
1-8. AG BOARD REMOVAL



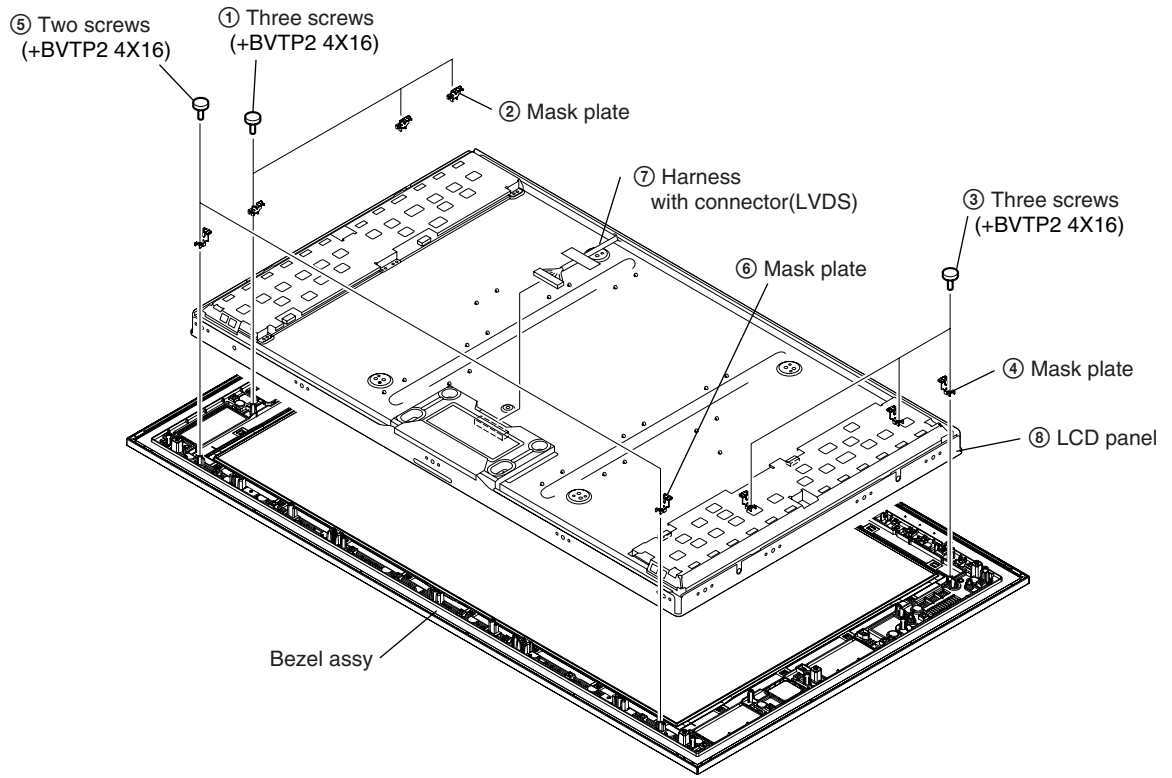
1-10. H3 AND H4 BOARDS REMOVAL



1-11. CHASSIS BRACKET ASSY REMOVAL



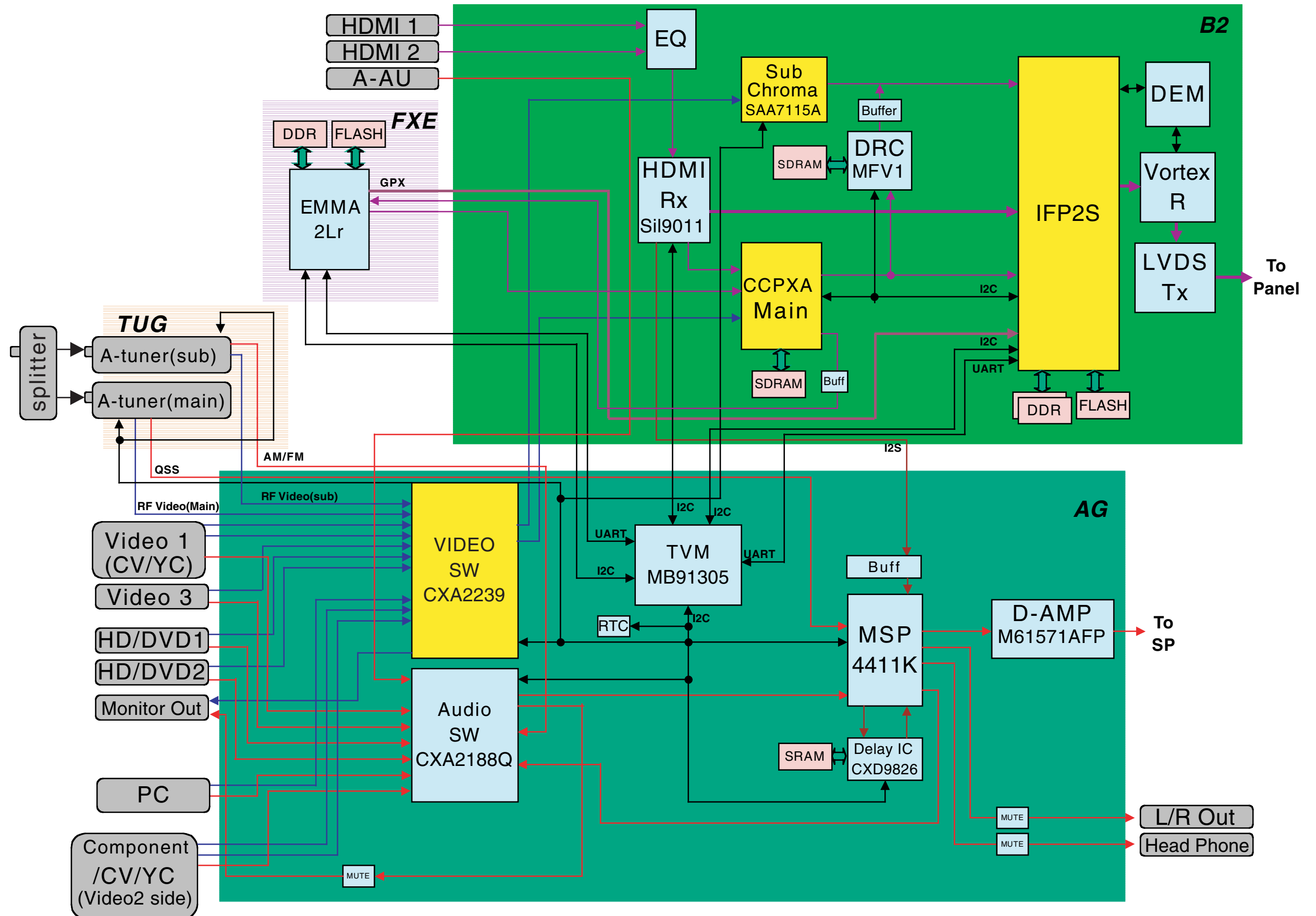
1-12. LCD PANEL REMOVAL



SECTION 2
DIAGRAMS

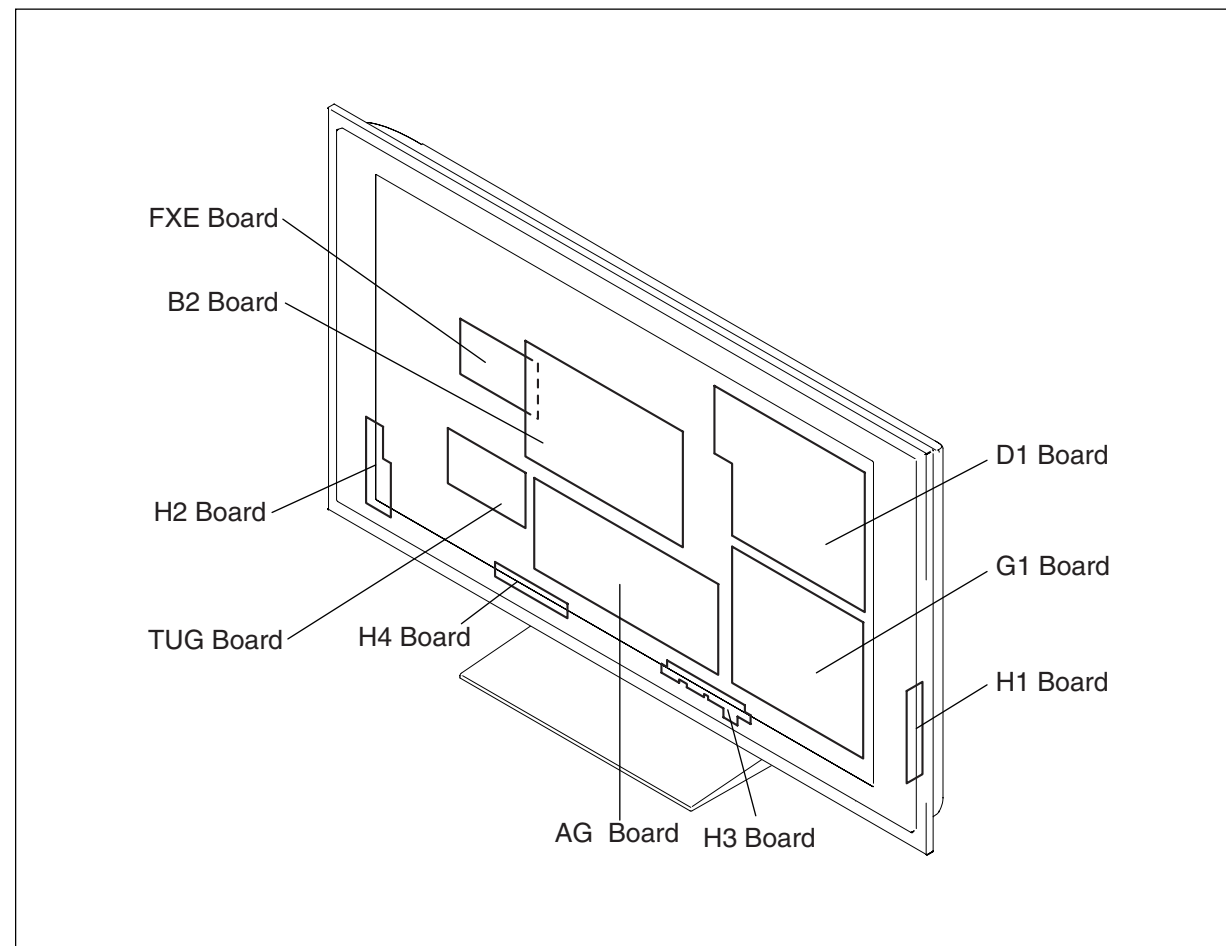
2-1. BLOCK DIAGRAM

- Analog Video Signal
- Analog Audio Signal
- Digital Video Signal
- Digital Audio Signal

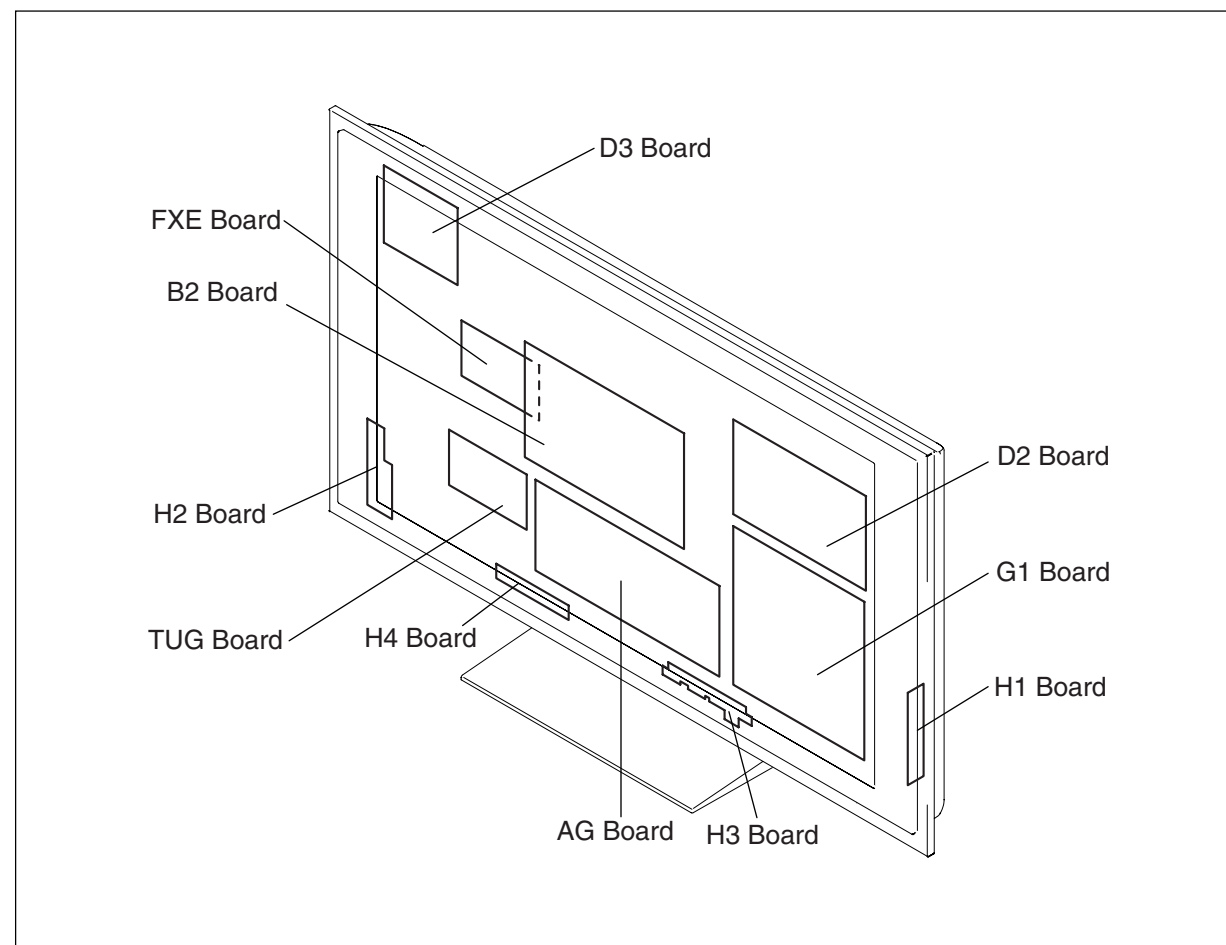


2-3. CIRCUIT BOARDS LOCATION

(1) KLV-40X200A/40X250A



(2) KLV-46X200A/46X250A



2-4. SCHEMATIC DIAGRAMS AND PRINTED WIRING BOARDS

Note:

- Schematic diagrams and printed wiring boards of the specified boards for board replacement service are not included in this section. See Appendix of this manual if you need them.
- All capacitors are in μF unless otherwise noted. (pF : $\mu\mu\text{F}$) Capacitors without voltage indication are all 50 V.
- Indication of resistance, which does not have one for rating electrical power, is as follows.

Pitch: 5 mm

Rating electrical power 1/4 W (CHIP : 1/10 W)

- All resistors are in ohms.
- : nonflammable resistor.
- : fusible resistor.
- : internal component.
- : panel designation, and adjustment for repair.
- All variable and adjustable resistors have characteristic curve B, unless otherwise noted.
- : earth-ground.
- : earth-chassis.
- When replacing the part in below table, be sure to perform the related adjustment.
- All voltages are in V.
- Readings are taken with a 10 M Ω digital multimeter.
- Readings are taken with a color-bar signal input.
- Voltage variations may be noted due to normal production tolerances.
- * : Names and values of parts depend on models.
- * : Can not be measured.
- : Circled numbers are waveform references.
- : B + bus.
- : B - bus.
- : Signal path.

Note: The components identified by shading and mark are critical for safety. Replace only with part number specified.

Note: The components identified by mark contain confidential information. Strictly follow the instructions whenever the components are repaired and/or replaced.

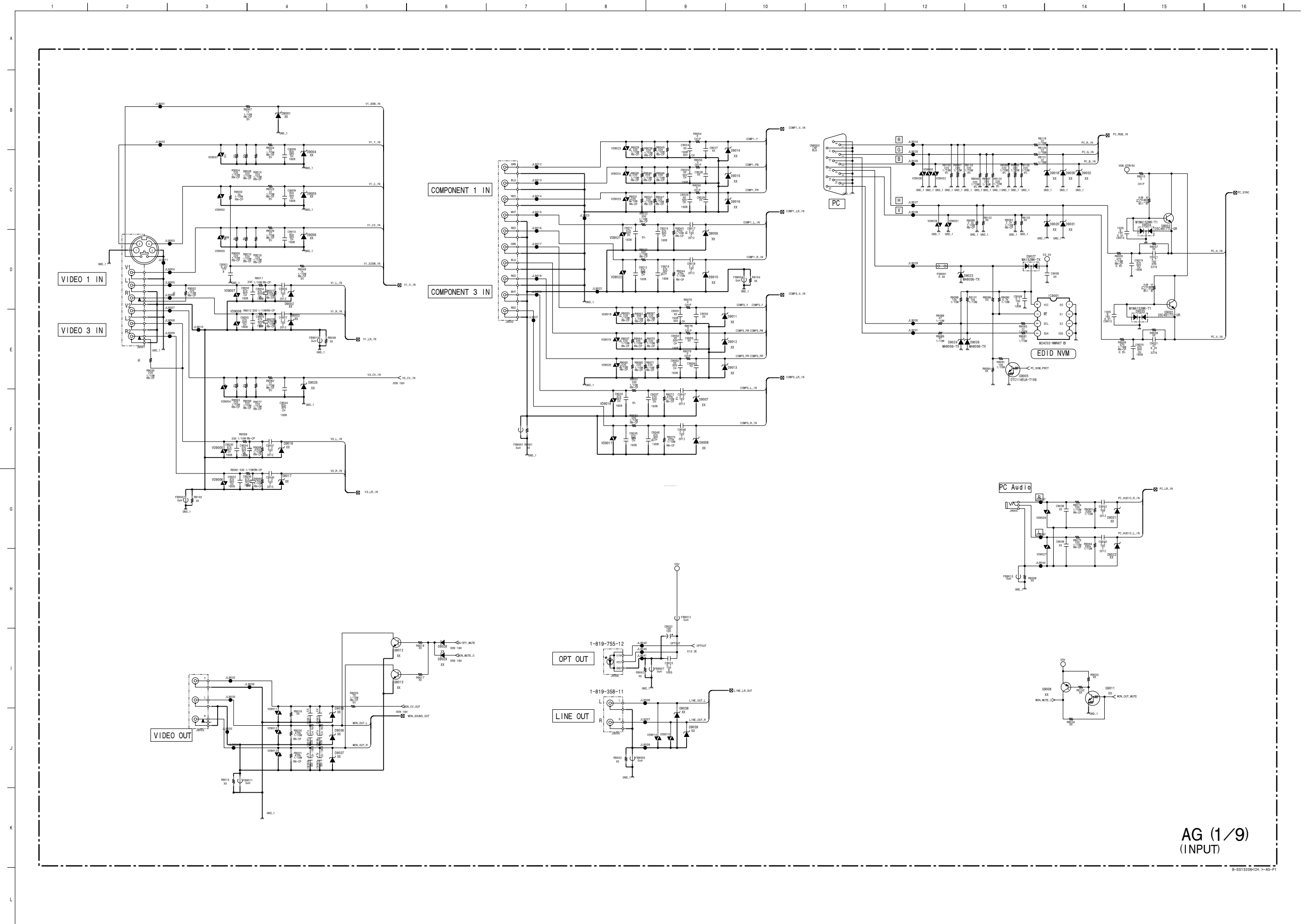
Terminal name of semiconductors in silk screen printed circuit (*):

Device	Printed symbol	Terminal name	Circuit
① Transistor		Collector Base Emitter	
② Transistor		Collector Base Emitter	
③ Diode		Cathode Anode	
④ Diode		Cathode Anode (NC)	
⑤ Diode		Anode (NC)	
⑥ Diode		Common Anode Cathode	
⑦ Diode		Common Anode Cathode	
⑧ Diode		Common Anode Anode	
⑨ Diode		Common Anode Anode	
⑩ Diode		Common Cathode Cathode	
⑪ Diode		Common Cathode Cathode	
⑫ Diode		Anode Anode Cathode Anode	
⑬ Transistor (FET)		Drain Source Gate	
⑭ Transistor (FET)		Drain Source Gate	
⑮ Transistor (FET)		Source Drain Gate	
⑯ Transistor		Emitter Collector Base	
⑰ Transistor		C2/B1/E1 E2/B2/C1	
⑱ Transistor		C1/B2/E2 E1/B1/C2	
⑲ Transistor		C1/B2/E2 E1/B1/C2	
⑳ Transistor		C1/B2/E2 E1/B1/C2	
㉑ Transistor		E2/B1/E1 C2/C1(B2)	
㉒ Transistor		(B2) B1/E1/E2 C1/C2	
㉓ Transistor		(B2) E2/E1/B1 C2/C1	
-	Discrete semiconductot		

(Chip semiconductors that are not actually used are included.)

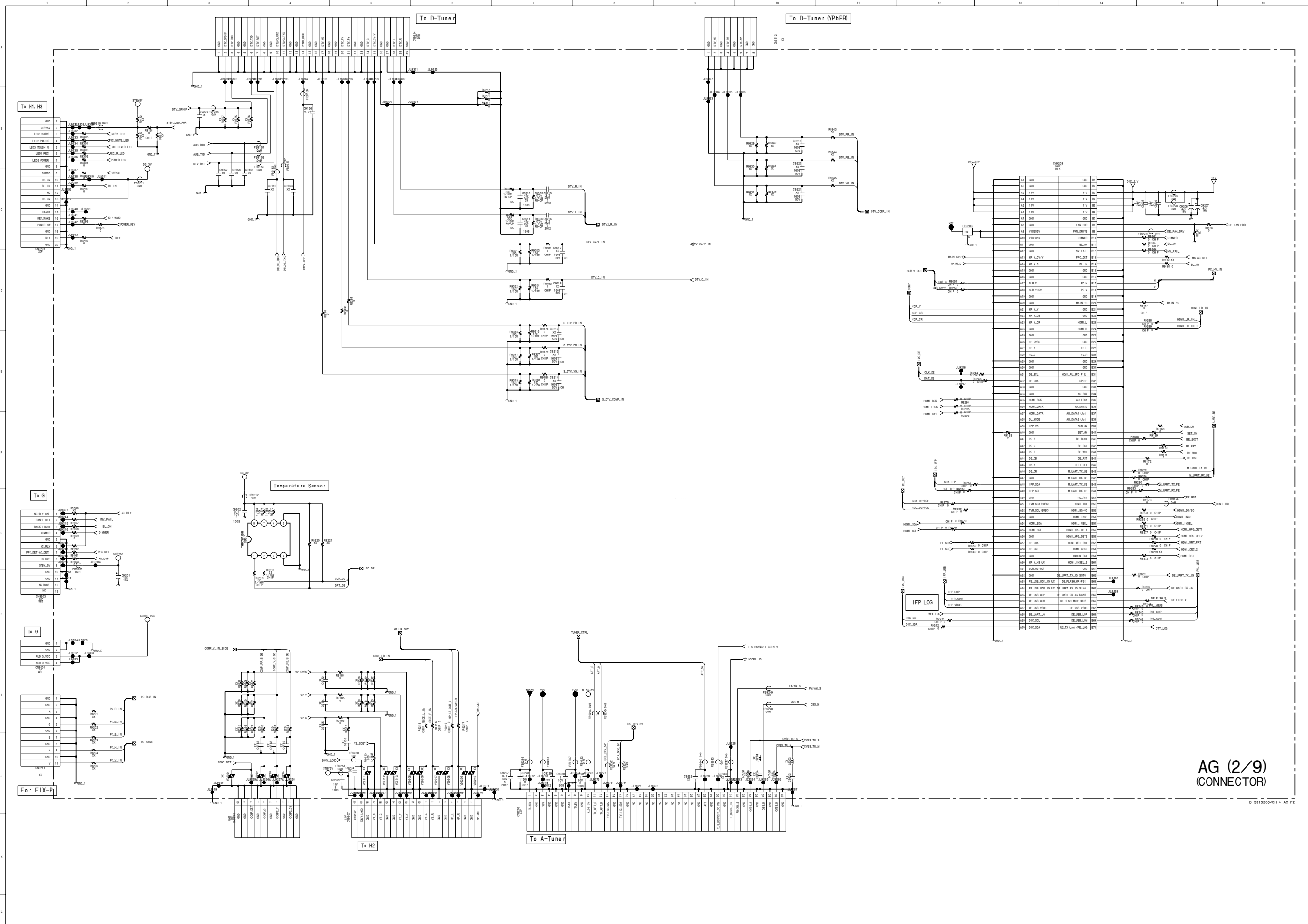
Ver.1.6

(1) Schematic Diagrams of AG Board (1/9-9/9)



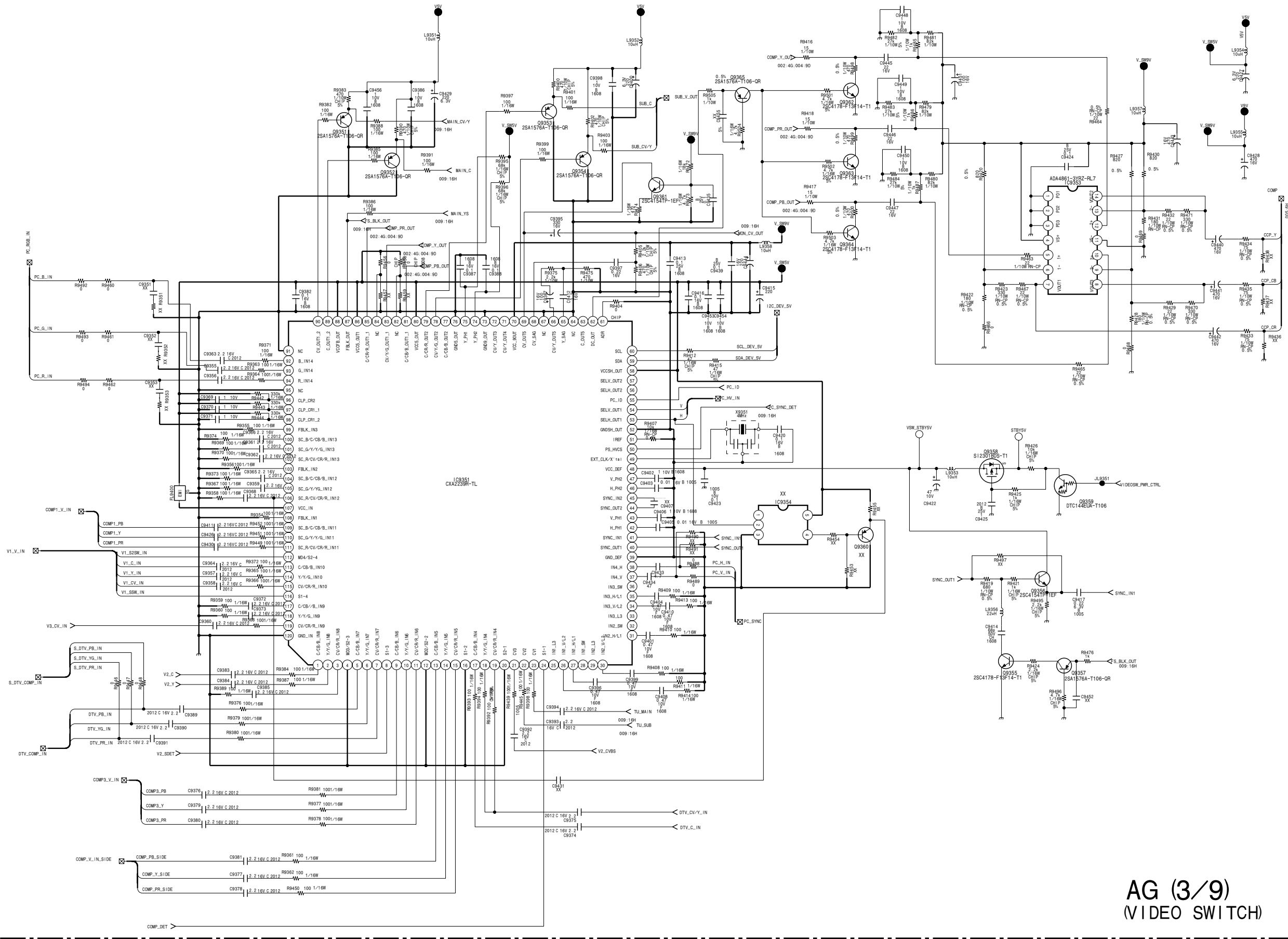
AG (1/9)
(INPUT)

B-5513206CH-3-AG-P1



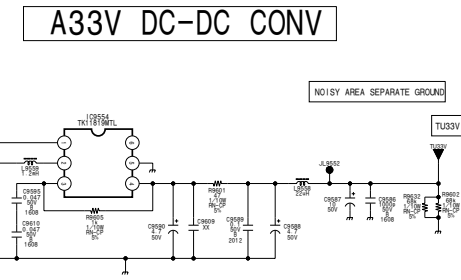
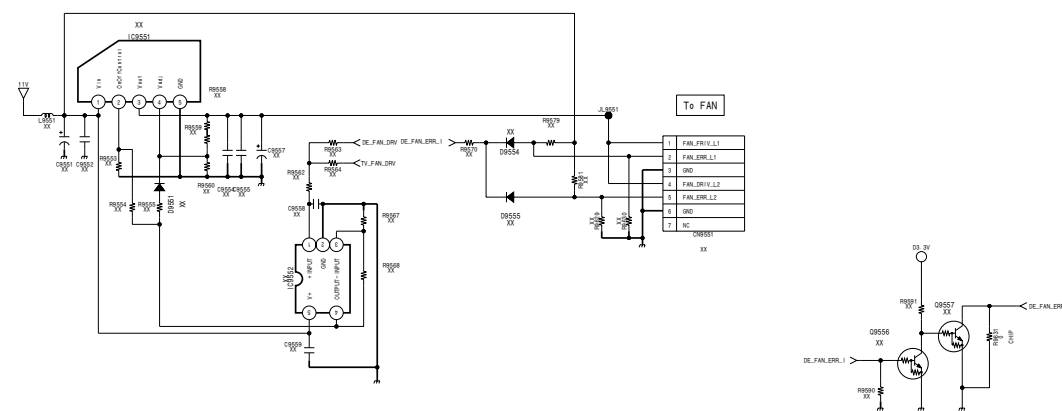
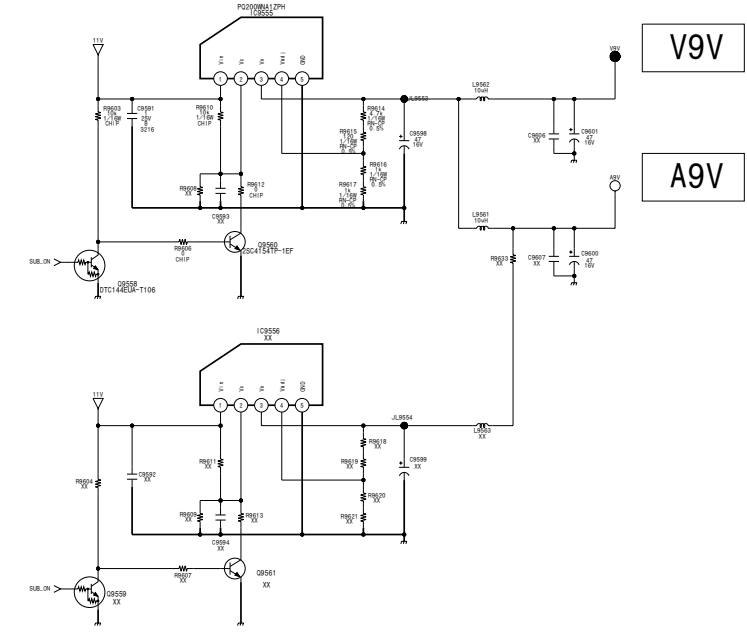
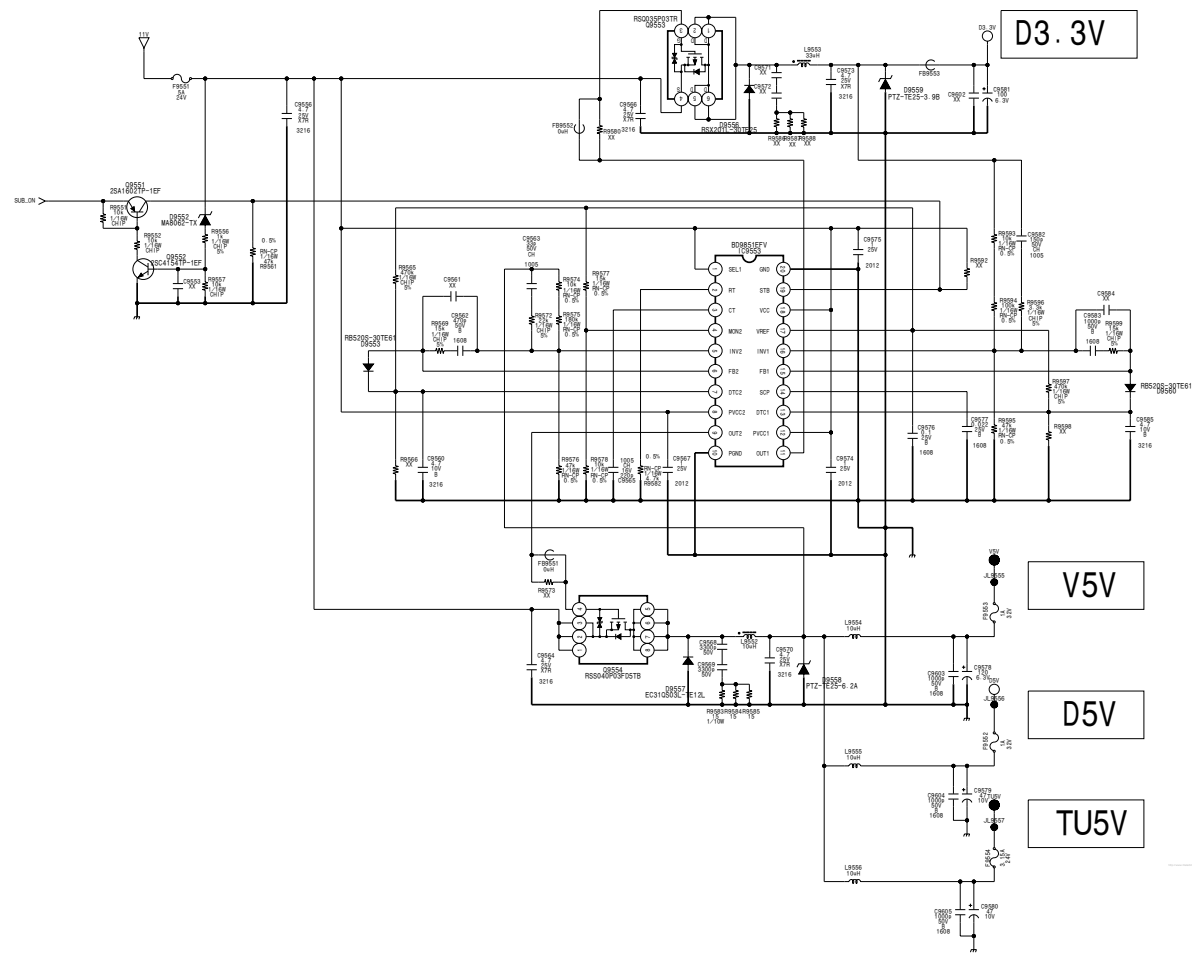
AG (2/9)
CONNECTOR

B-8513206CH > AG-P2

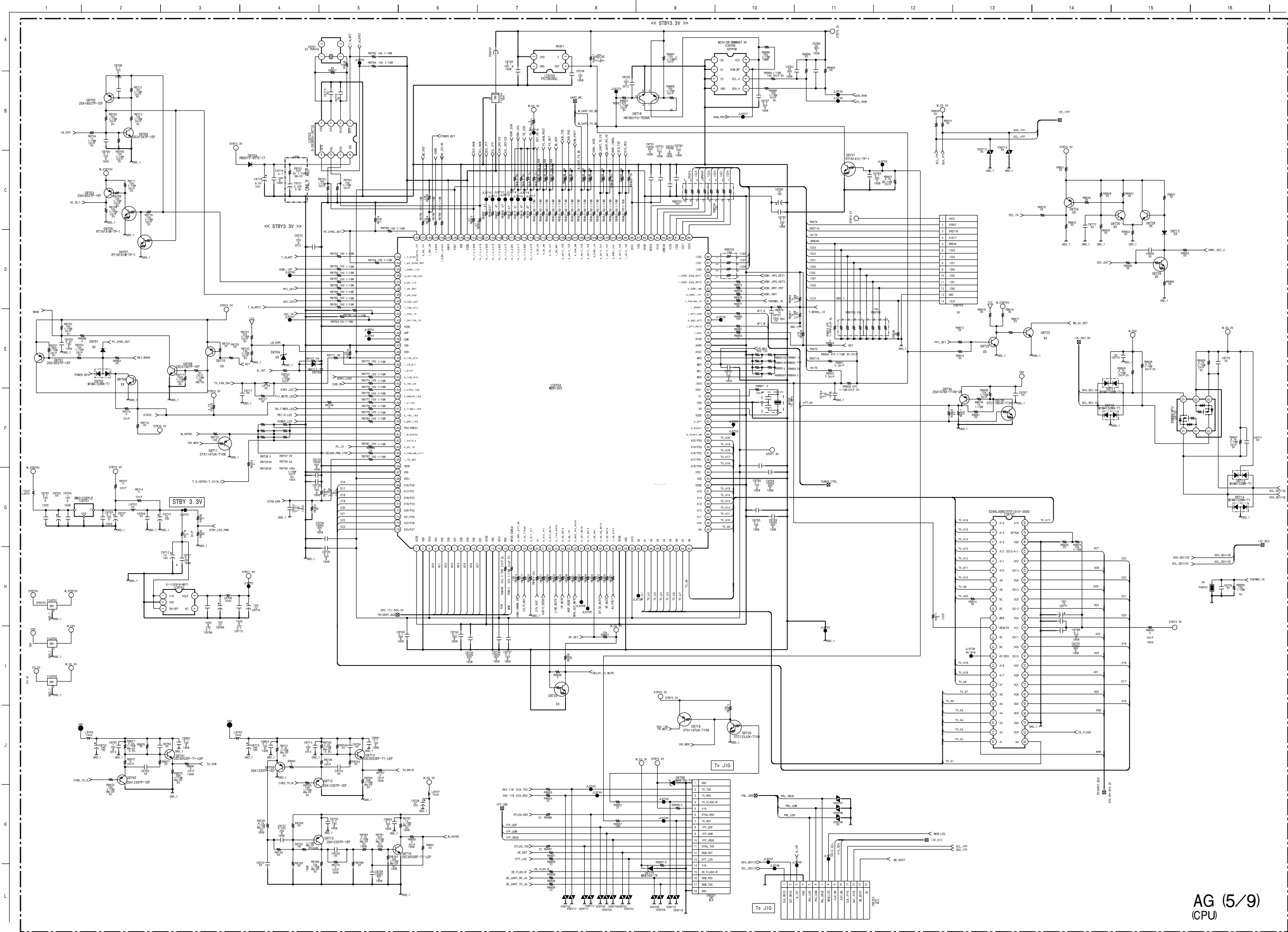


AG (3/9)
(VIDEO SWITCH)

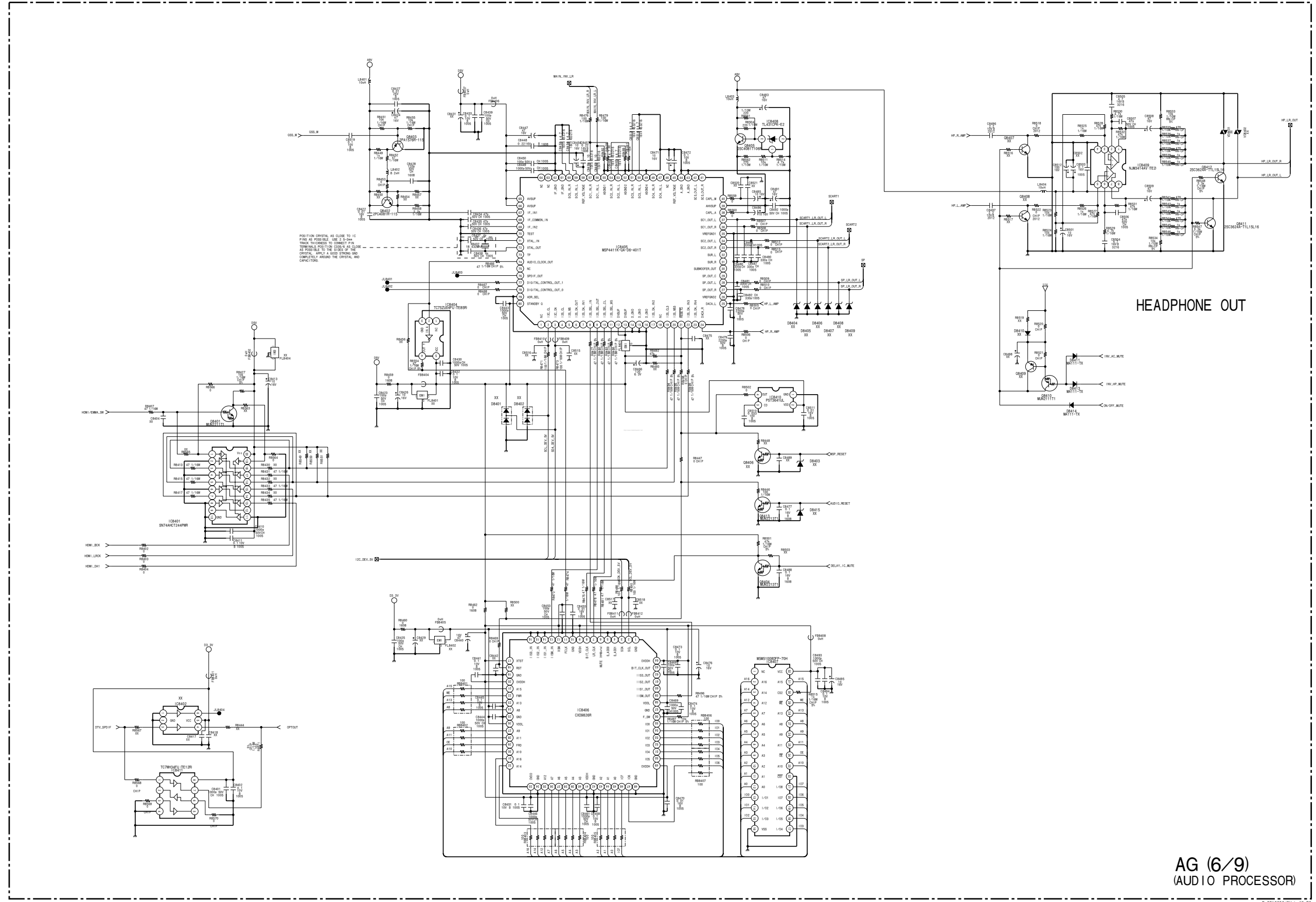
B-SS13206CH -> AG-P3



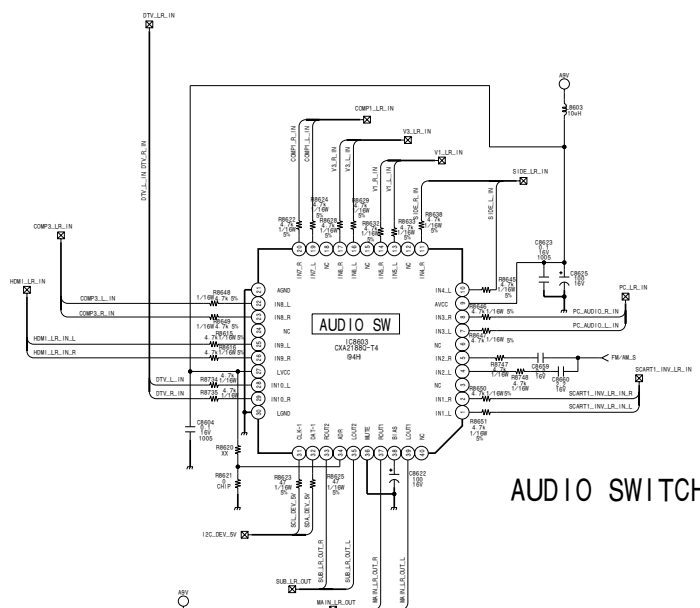
AG (4/9)
(DC REGULATOR)



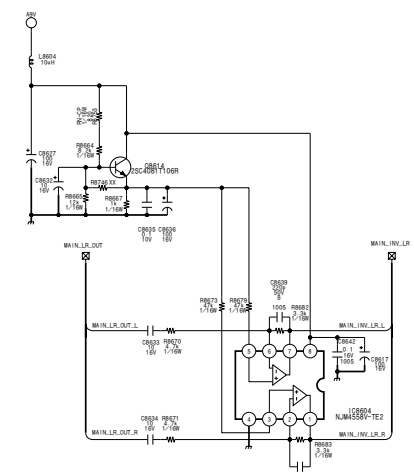
AG (5/9)
CPU



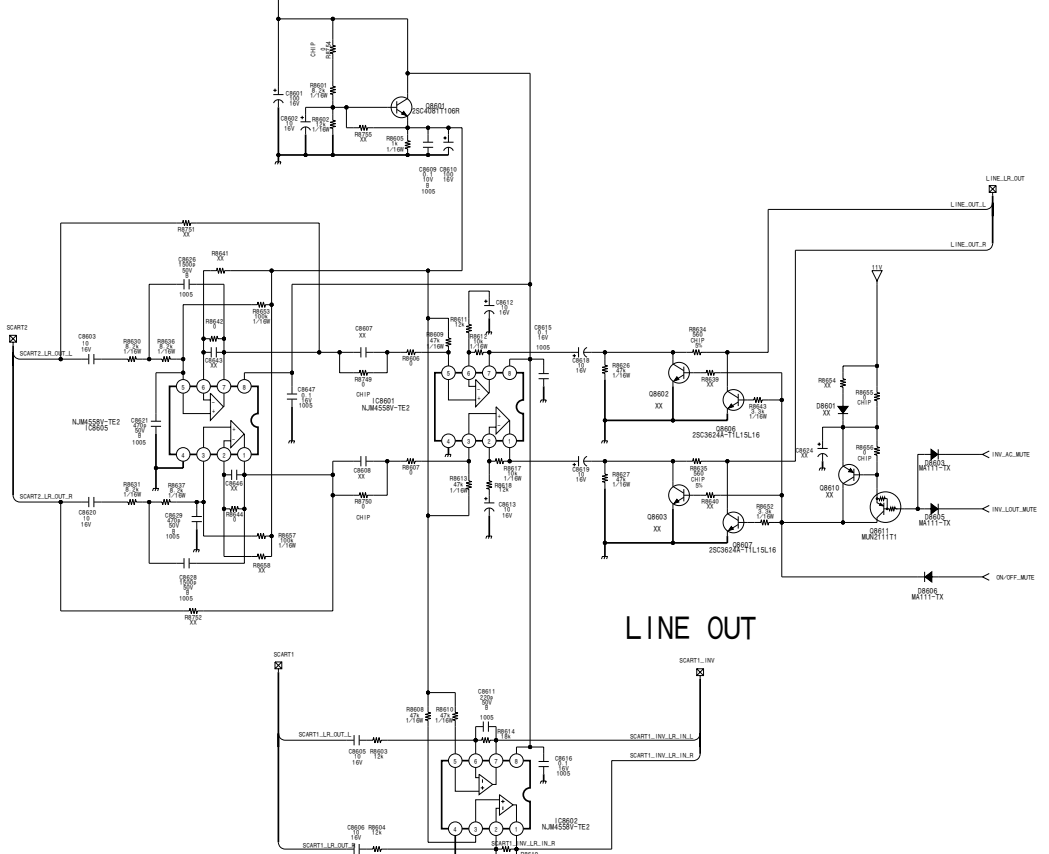
B-S13206-CH. 3-AG-P6



AUDIO SWITCH

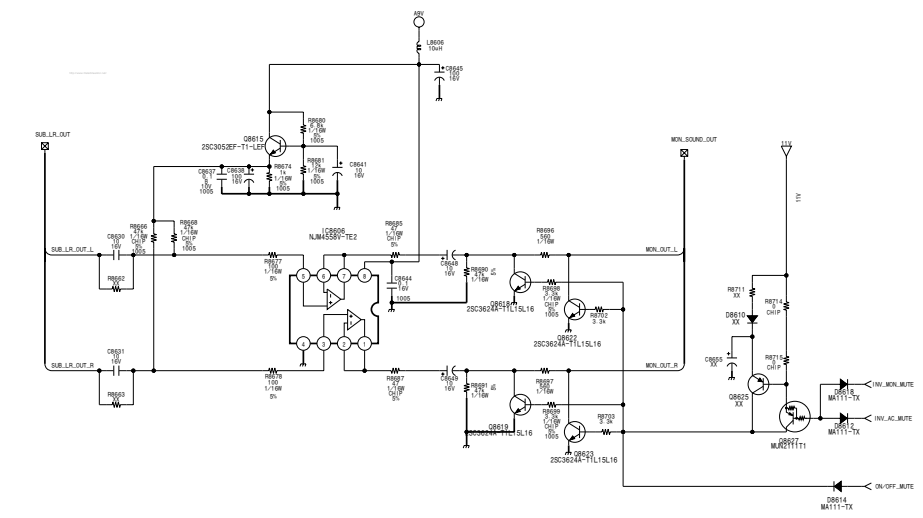


MAIN INV AMP

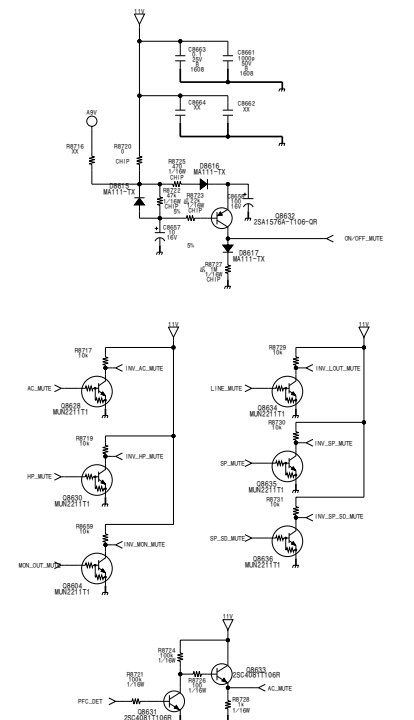


LINE OUT

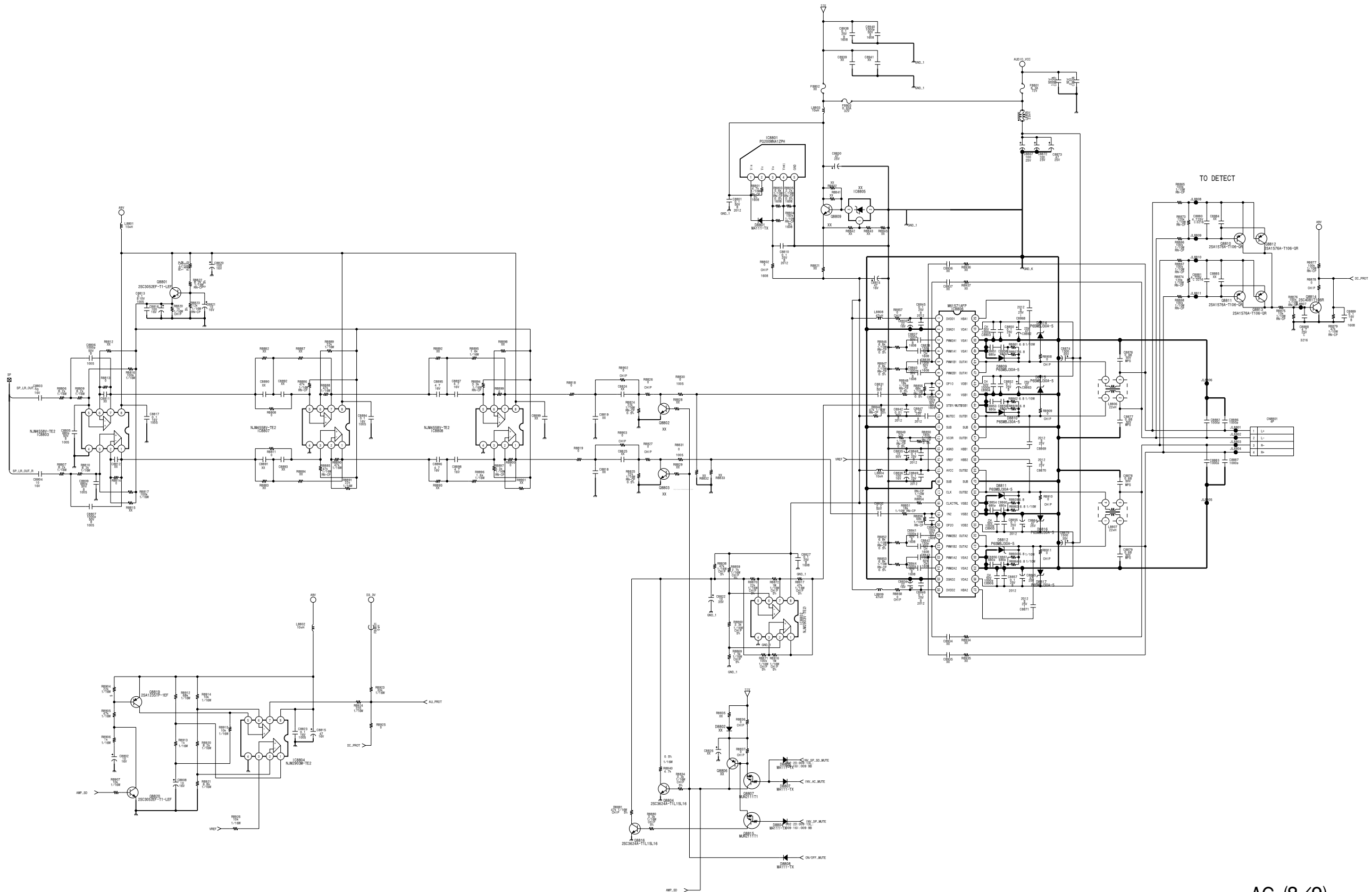
SCART1 INV AMP

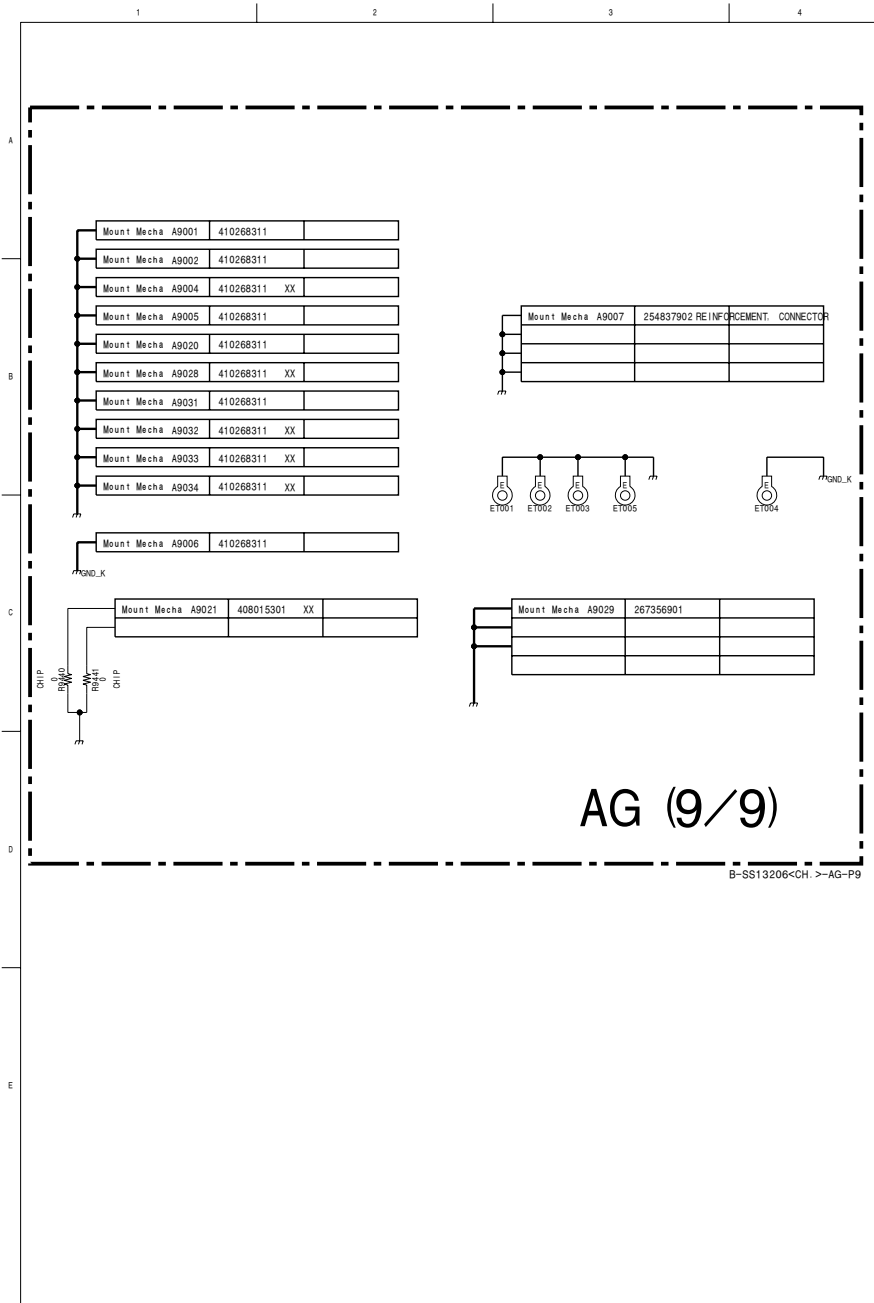


MONITOR OUT



MUTE



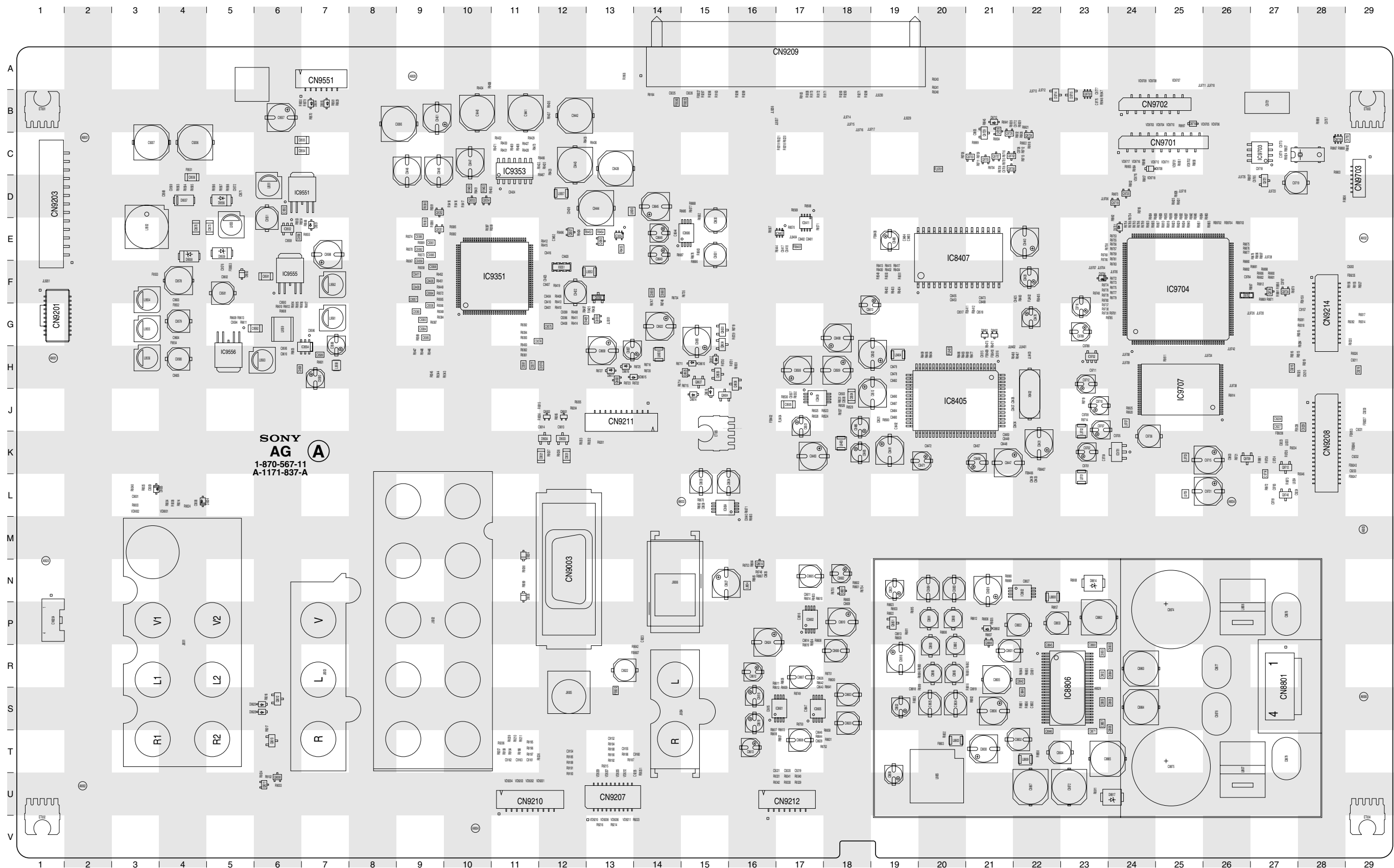


AG (9/9)

B-SS13206CH. >>AG-P9

— AG BOARD —

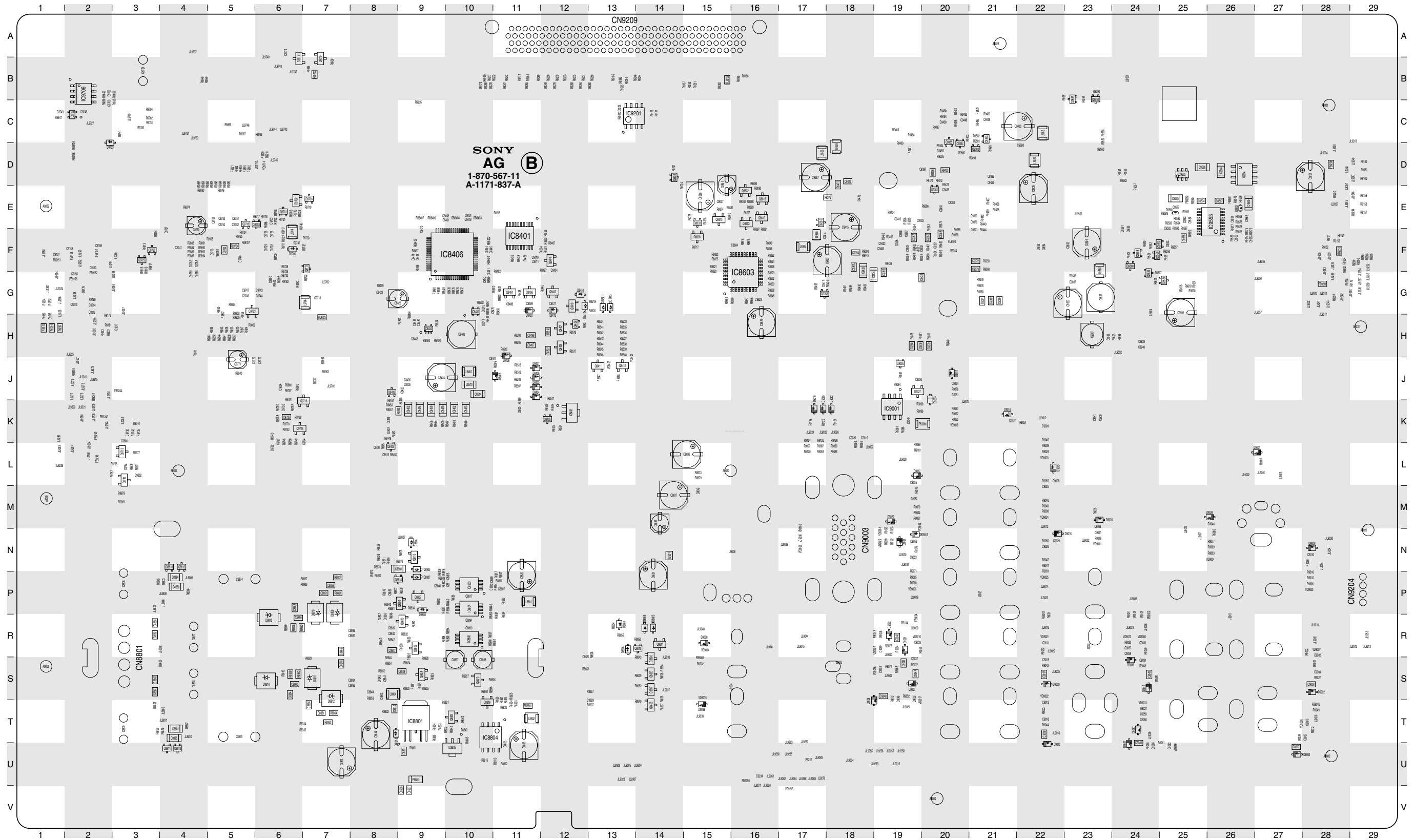
AG BOARD (A)



SONY
AG **(A)**
1-870-567-11
A-1171-837-A

<COMPONENT SIDE>

AG BOARD (B)




SONY
AG (B)
1-870-567-11
A-1171-837-A

<CONDUCTOR SIDE>

1 2 3 4 5 6 7 8 9 10 11 12

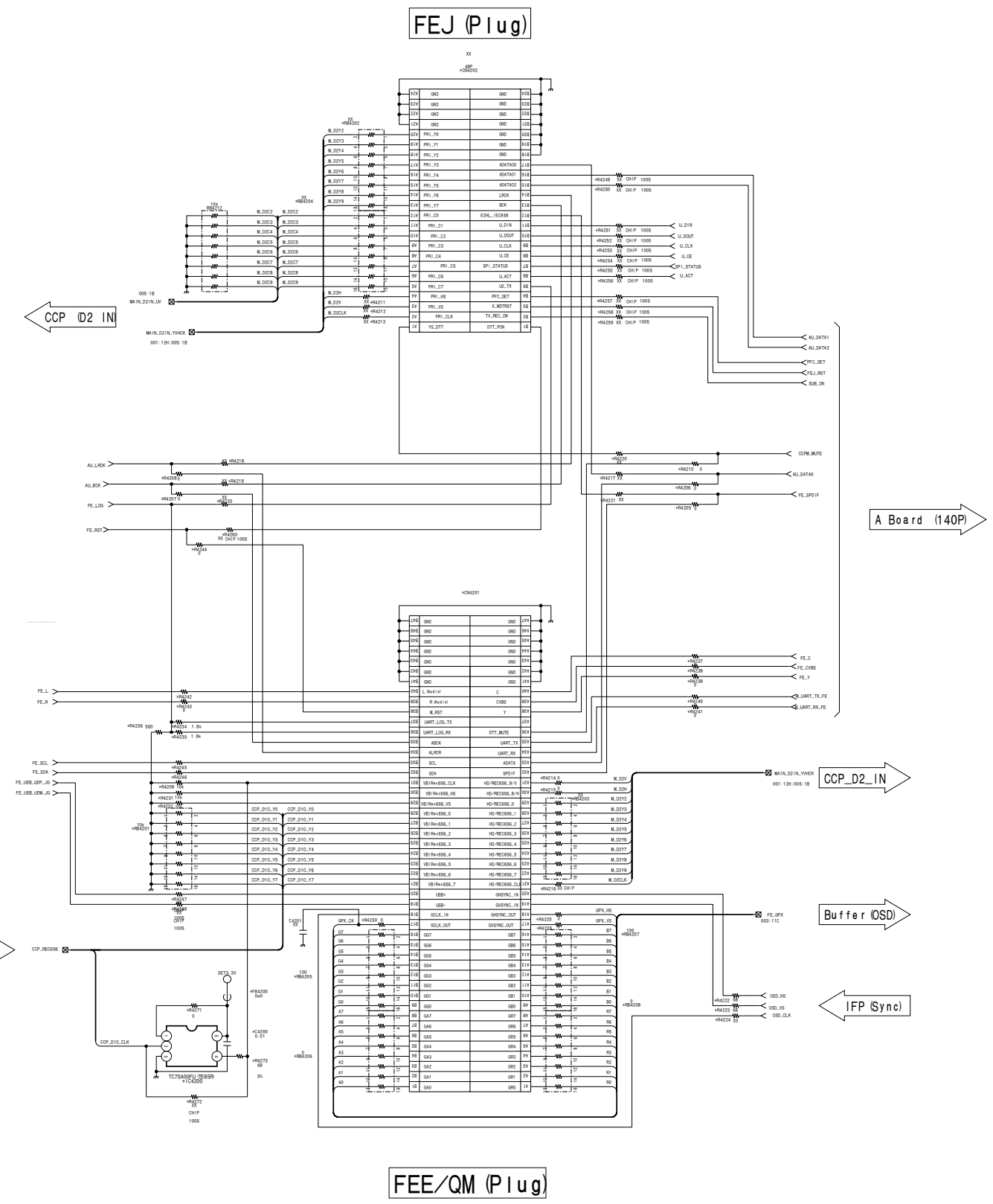
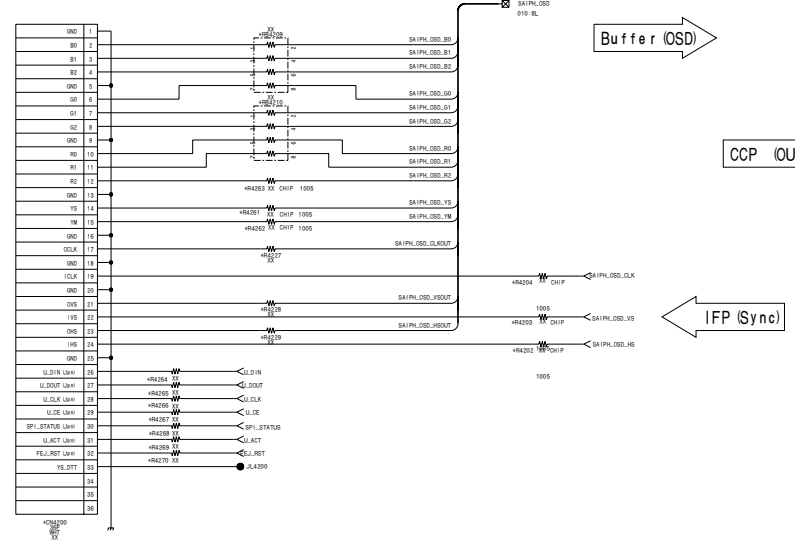
A
B
C
D
E
F
G
H

Page. 1	001. sht	Table of Contents
Page. 2	002. sht	Connector to A (140p) / G
Page. 3	003. sht	Connector to FE / A (Saiph)
Page. 4	004. sht	POWER
Page. 5	005. sht	HDMI
Page. 6	006. sht	CCPXA (MAIN)
Page. 7	007. sht	DRC-MFV1
Page. 8	008. sht	IFP2S
Page. 9	009. sht	DDR
Page. 10	010. sht	GPX_BUFFER
Page. 11	011. sht	SUB_CHROMA
Page. 12	012. sht	DE-MICRO
Page. 13	013. sht	VORTEX-R
Page. 14	014. sht	LVDS/TX
Page. 15	900. sht	MECHA & GND

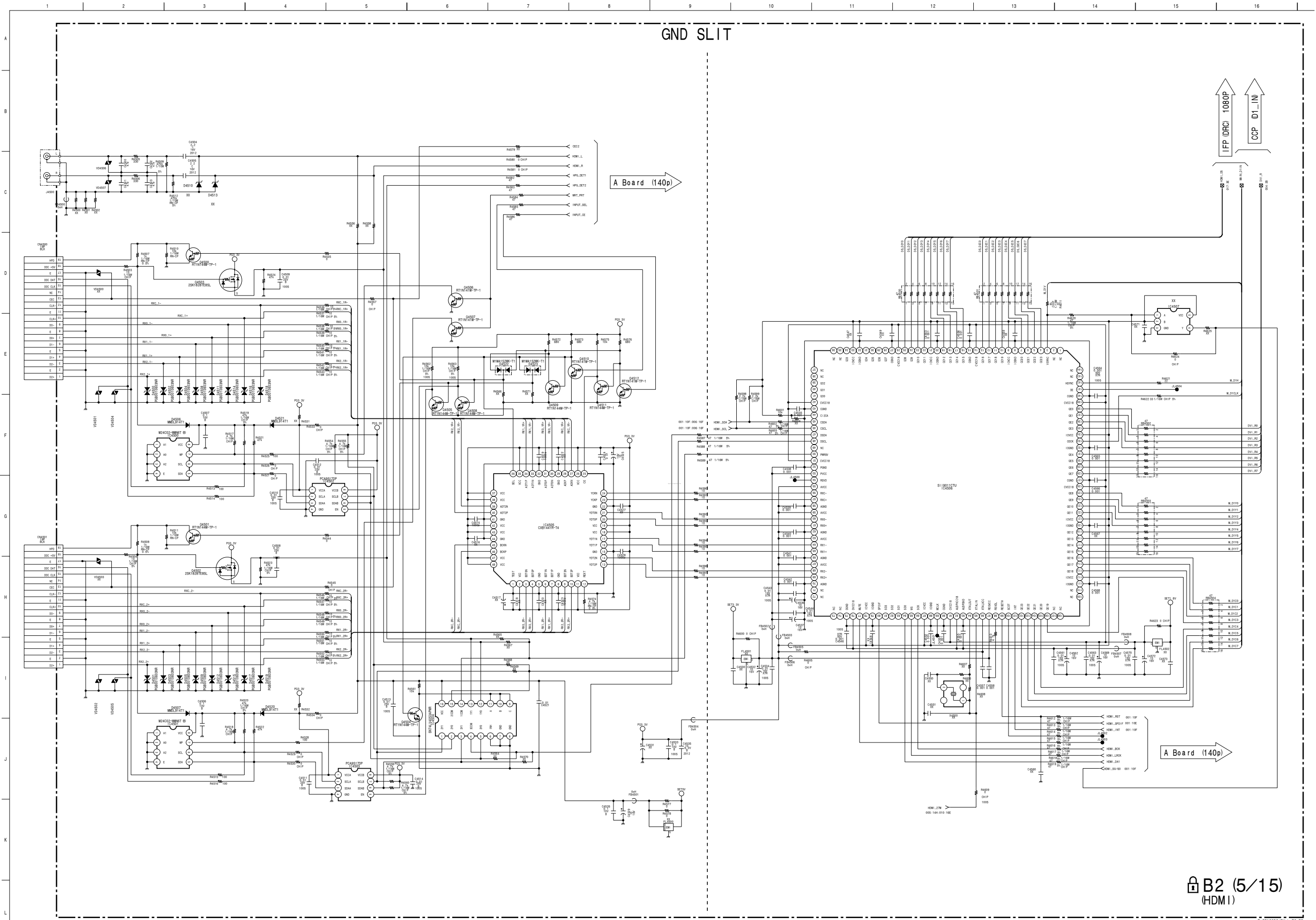
 **B2 (1/15)**
(Table of Contents)


B-SS13206<CH.>-B2-P1

Pin	Signal	Notes
CA000	0	RESERVED
CA001	0	RESERVED
CA002	0	RESERVED
CA003	0	RESERVED
CA004	0	RESERVED
CA005	0	RESERVED
CA006	0	RESERVED
CA007	0	RESERVED
CA008	0	RESERVED
CA009	0	RESERVED
CA010	0	RESERVED
CA011	0	RESERVED
CA012	0	RESERVED
CA013	0	RESERVED
CA014	0	RESERVED
CA015	0	RESERVED
CA016	0	RESERVED
CA017	0	RESERVED
CA018	0	RESERVED
CA019	0	RESERVED
CA020	0	RESERVED
CA021	0	RESERVED
CA022	0	RESERVED
CA023	0	RESERVED
CA024	0	RESERVED
CA025	0	RESERVED
CA026	0	RESERVED
CA027	0	RESERVED
CA028	0	RESERVED
CA029	0	RESERVED
CA030	0	RESERVED
CA031	0	RESERVED
CA032	0	RESERVED
CA033	0	RESERVED
CA034	0	RESERVED
CA035	0	RESERVED
CA036	0	RESERVED
CA037	0	RESERVED
CA038	0	RESERVED
CA039	0	RESERVED
CA040	0	RESERVED
CA041	0	RESERVED
CA042	0	RESERVED
CA043	0	RESERVED
CA044	0	RESERVED
CA045	0	RESERVED
CA046	0	RESERVED
CA047	0	RESERVED
CA048	0	RESERVED
CA049	0	RESERVED
CA050	0	RESERVED
CA051	0	RESERVED
CA052	0	RESERVED
CA053	0	RESERVED
CA054	0	RESERVED
CA055	0	RESERVED
CA056	0	RESERVED
CA057	0	RESERVED
CA058	0	RESERVED
CA059	0	RESERVED
CA060	0	RESERVED
CA061	0	RESERVED
CA062	0	RESERVED
CA063	0	RESERVED
CA064	0	RESERVED
CA065	0	RESERVED
CA066	0	RESERVED
CA067	0	RESERVED
CA068	0	RESERVED
CA069	0	RESERVED
CA070	0	RESERVED
CA071	0	RESERVED
CA072	0	RESERVED
CA073	0	RESERVED
CA074	0	RESERVED
CA075	0	RESERVED
CA076	0	RESERVED
CA077	0	RESERVED
CA078	0	RESERVED
CA079	0	RESERVED
CA080	0	RESERVED
CA081	0	RESERVED
CA082	0	RESERVED
CA083	0	RESERVED
CA084	0	RESERVED
CA085	0	RESERVED
CA086	0	RESERVED
CA087	0	RESERVED
CA088	0	RESERVED
CA089	0	RESERVED
CA090	0	RESERVED
CA091	0	RESERVED
CA092	0	RESERVED
CA093	0	RESERVED
CA094	0	RESERVED
CA095	0	RESERVED
CA096	0	RESERVED
CA097	0	RESERVED
CA098	0	RESERVED
CA099	0	RESERVED
CA100	0	RESERVED

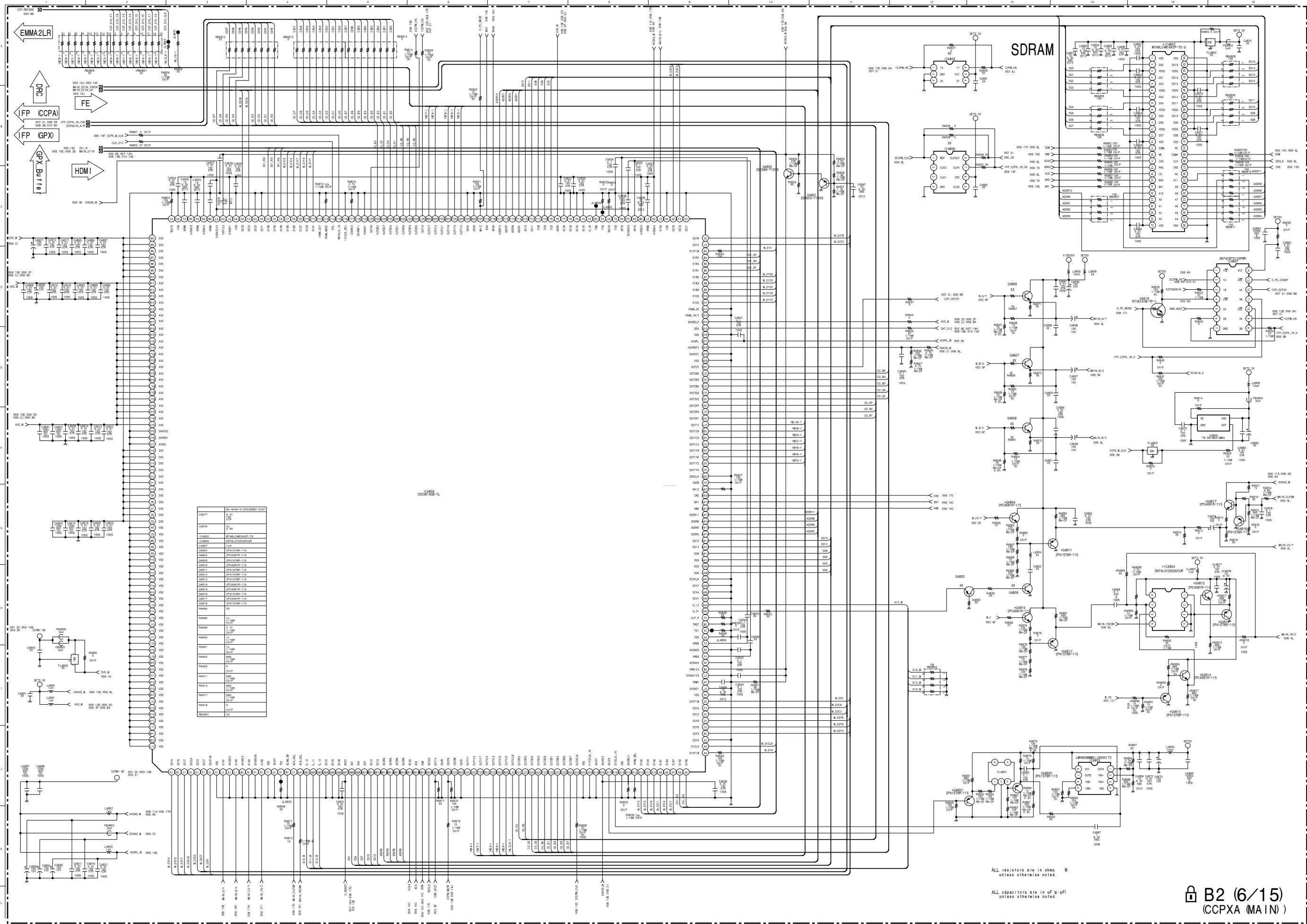


B2 (3/15)
CONNECTOR to FE/A (Saiph)



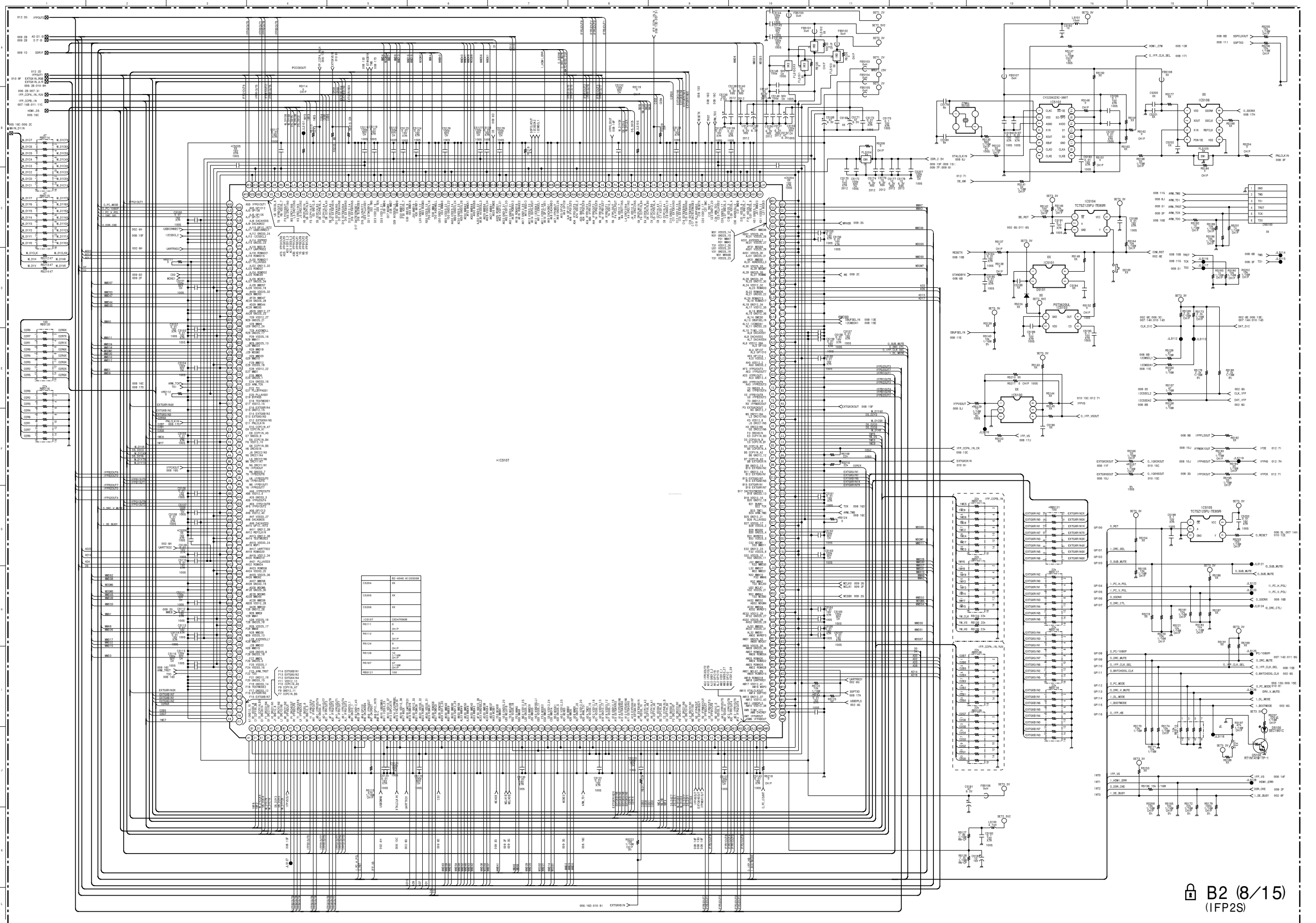

B2 (5/15)
 (HDMI)

B-S13206-CHK -> B2-P5



ALL resistors are in ohms, Ω unless otherwise noted.
 ALL capacitors are in nF (nF) unless otherwise noted.

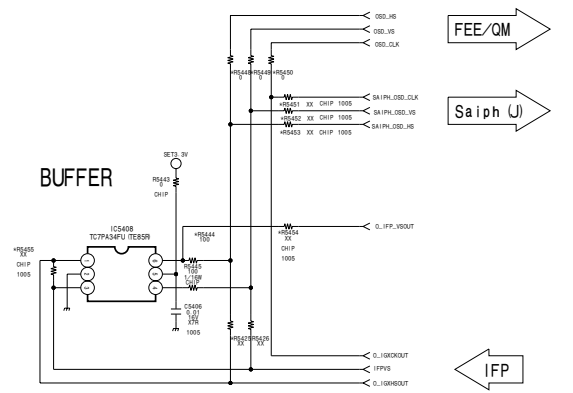
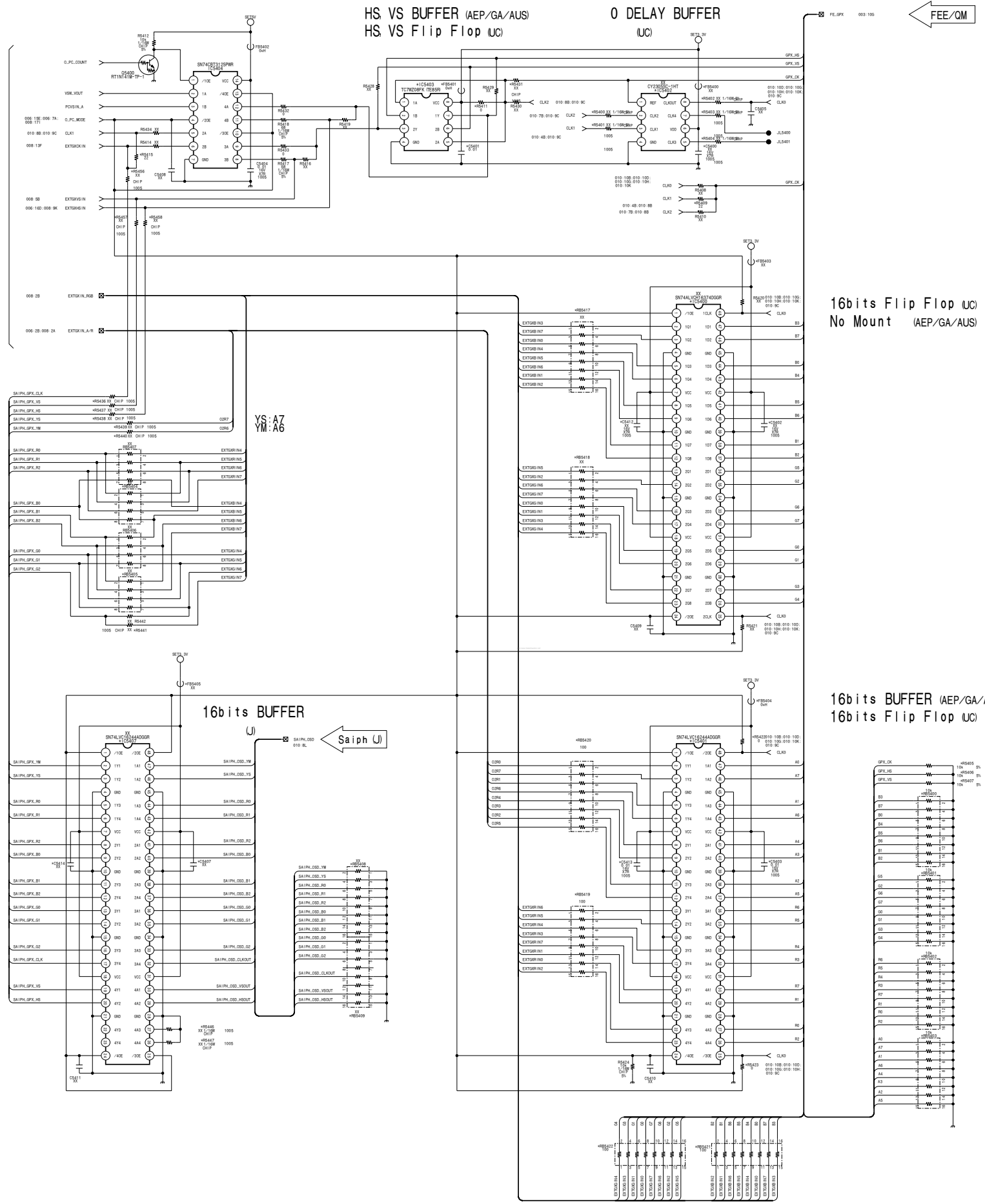
B2 (6/15)
 (CCPXA MAIN)



B2 (8/15)
(IFP2S)

Part No.	Qty	Part Name
00000	1	RES1
00001	1	RES2
00002	1	RES3
00003	1	RES4
00004	1	RES5
00005	1	RES6
00006	1	RES7
00007	1	RES8
00008	1	RES9
00009	1	RES10
00010	1	RES11
00011	1	RES12
00012	1	RES13
00013	1	RES14
00014	1	RES15
00015	1	RES16
00016	1	RES17
00017	1	RES18
00018	1	RES19
00019	1	RES20
00020	1	RES21
00021	1	RES22
00022	1	RES23
00023	1	RES24
00024	1	RES25
00025	1	RES26
00026	1	RES27
00027	1	RES28
00028	1	RES29
00029	1	RES30
00030	1	RES31
00031	1	RES32
00032	1	RES33
00033	1	RES34
00034	1	RES35
00035	1	RES36
00036	1	RES37
00037	1	RES38
00038	1	RES39
00039	1	RES40
00040	1	RES41
00041	1	RES42
00042	1	RES43
00043	1	RES44
00044	1	RES45
00045	1	RES46
00046	1	RES47
00047	1	RES48
00048	1	RES49
00049	1	RES50
00050	1	RES51
00051	1	RES52
00052	1	RES53
00053	1	RES54
00054	1	RES55
00055	1	RES56
00056	1	RES57
00057	1	RES58
00058	1	RES59
00059	1	RES60
00060	1	RES61
00061	1	RES62
00062	1	RES63
00063	1	RES64
00064	1	RES65
00065	1	RES66
00066	1	RES67
00067	1	RES68
00068	1	RES69
00069	1	RES70
00070	1	RES71
00071	1	RES72
00072	1	RES73
00073	1	RES74
00074	1	RES75
00075	1	RES76
00076	1	RES77
00077	1	RES78
00078	1	RES79
00079	1	RES80
00080	1	RES81
00081	1	RES82
00082	1	RES83
00083	1	RES84
00084	1	RES85
00085	1	RES86
00086	1	RES87
00087	1	RES88
00088	1	RES89
00089	1	RES90
00090	1	RES91
00091	1	RES92
00092	1	RES93
00093	1	RES94
00094	1	RES95
00095	1	RES96
00096	1	RES97
00097	1	RES98
00098	1	RES99
00099	1	RES100

IFP (GPX)



FEE/QM

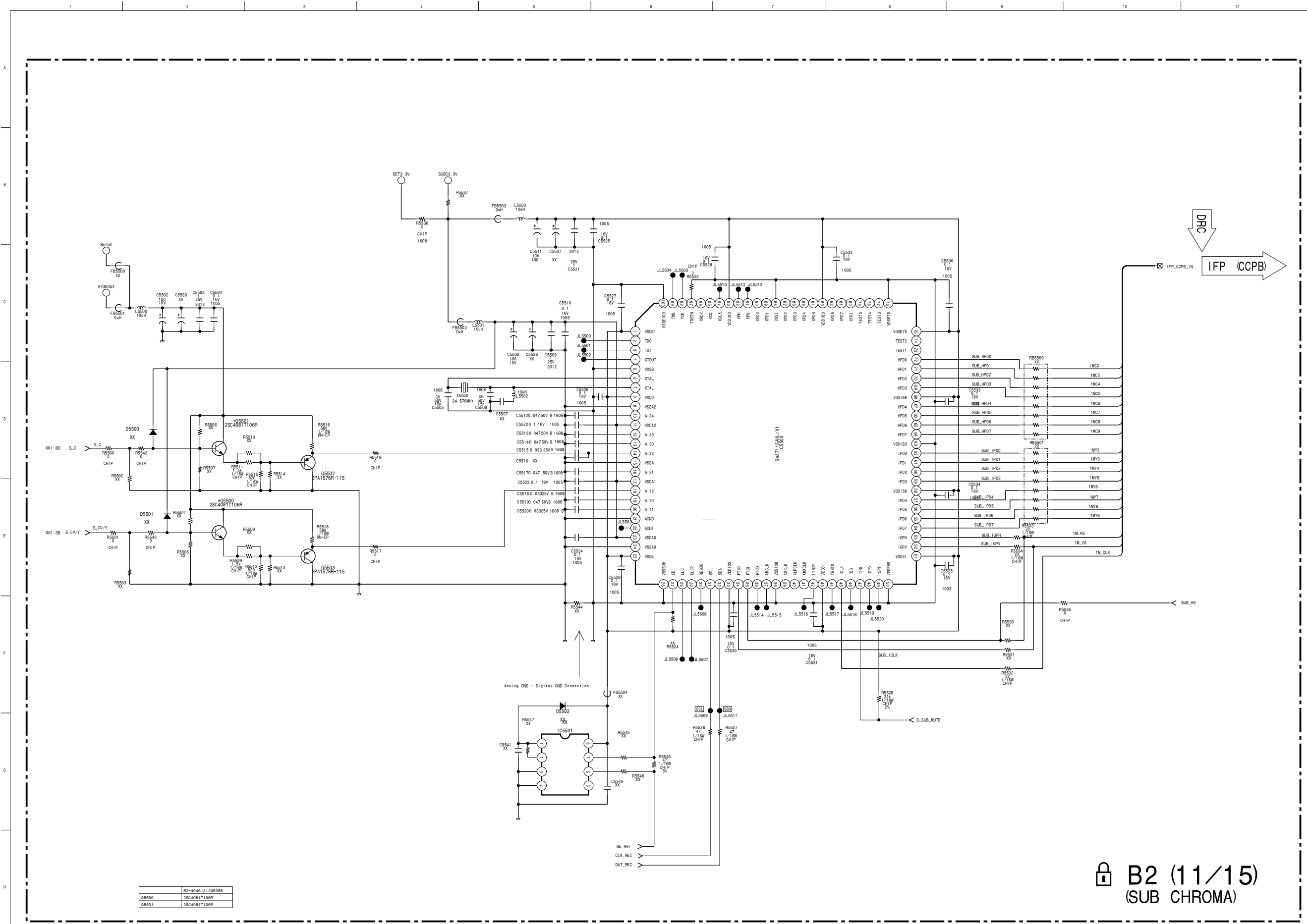
FEE/QM

Saiph (J)


IFP

B2 (10/15)
GPX_BUFFER

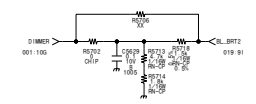
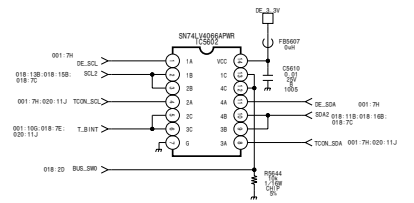
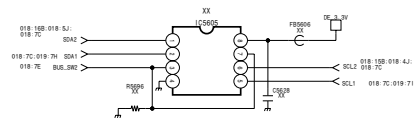
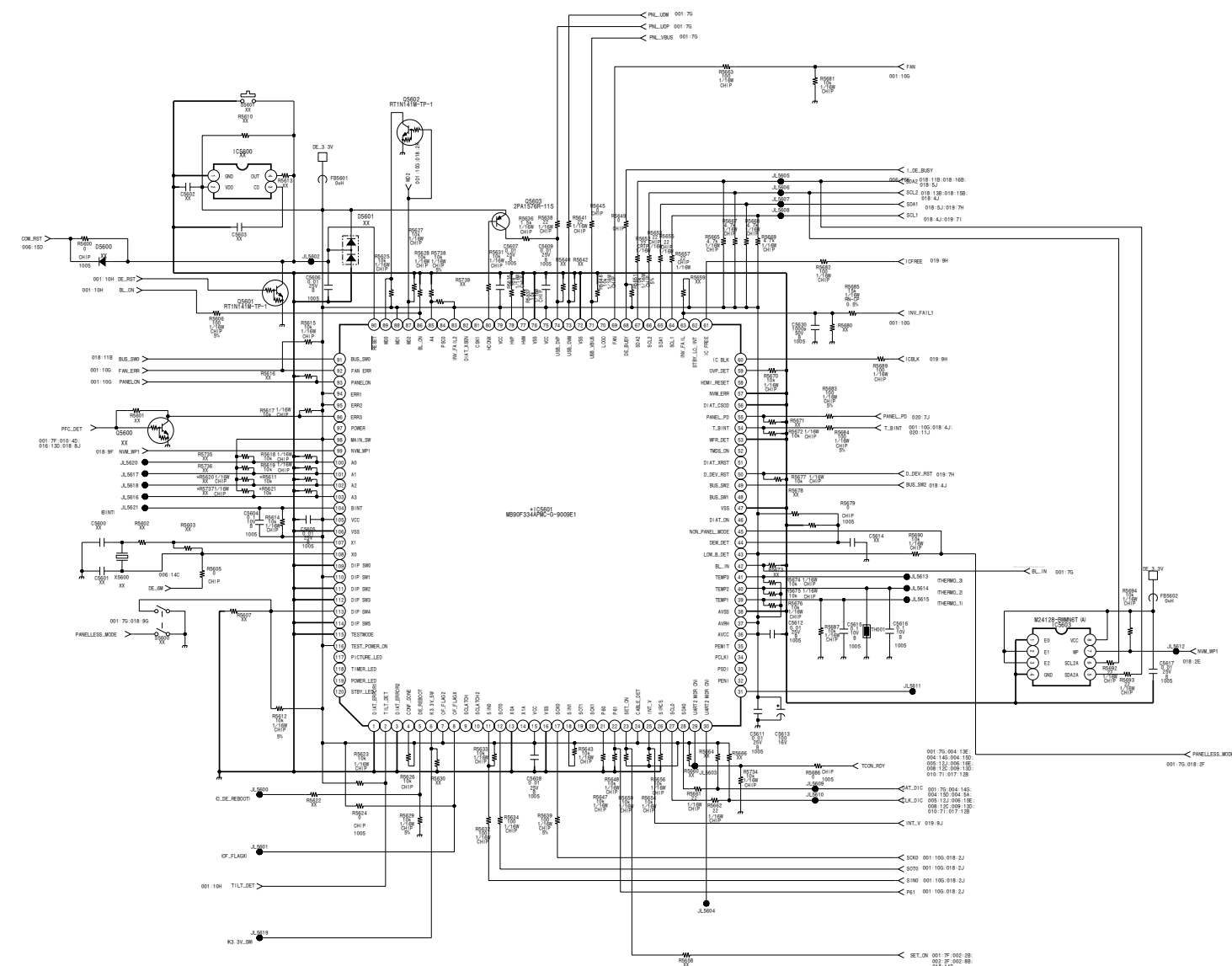
B-551 3286CH > B2-P10



R5500	B2-4046 #1 205358
C5500	25C4081T106R
C5501	25C4081T106R

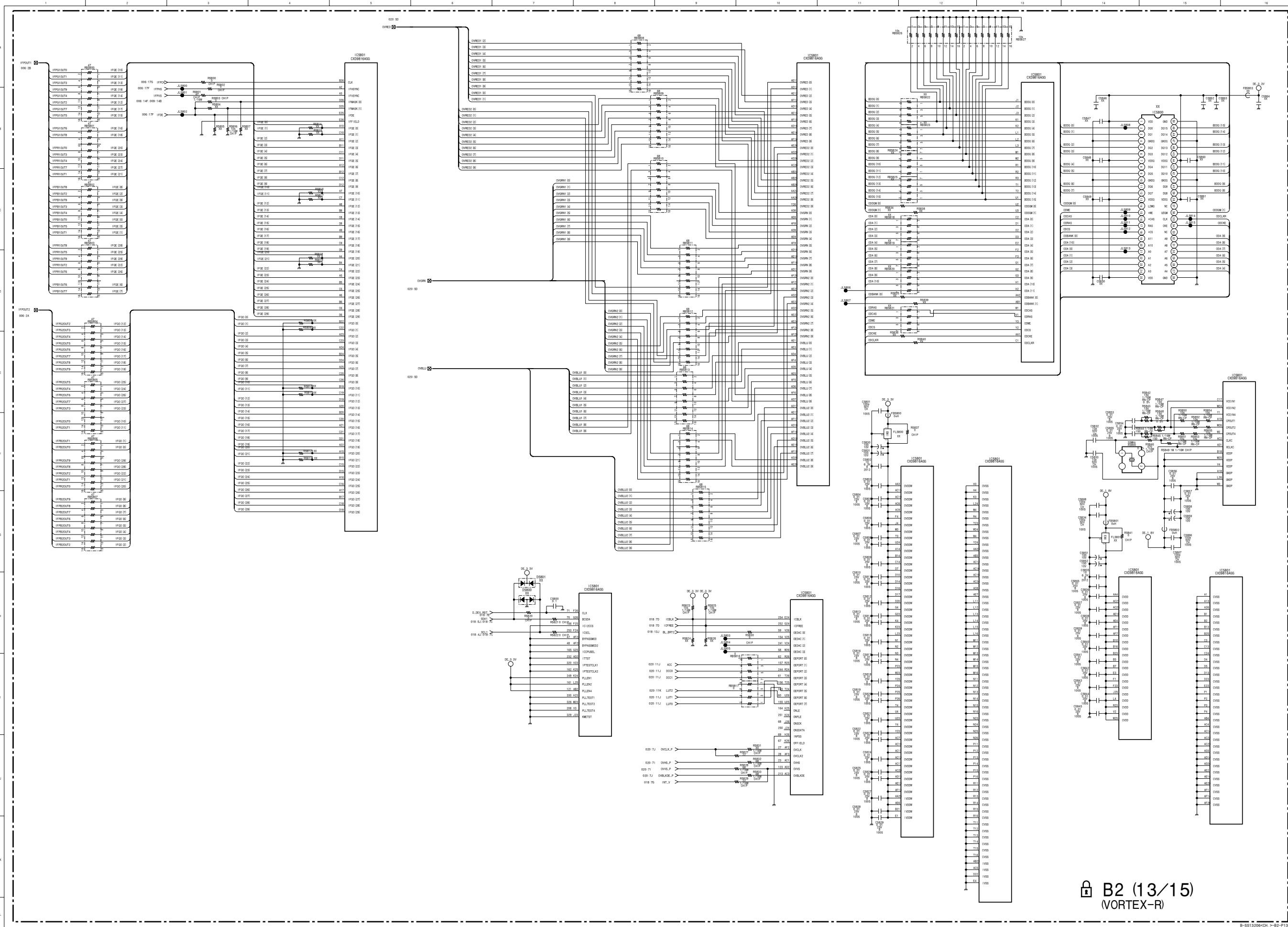
 B2 (11/15)
(SUB CHROMA)

00011	01-4046 4120000
00012	10
00013	XX
00014	10
00015	XX



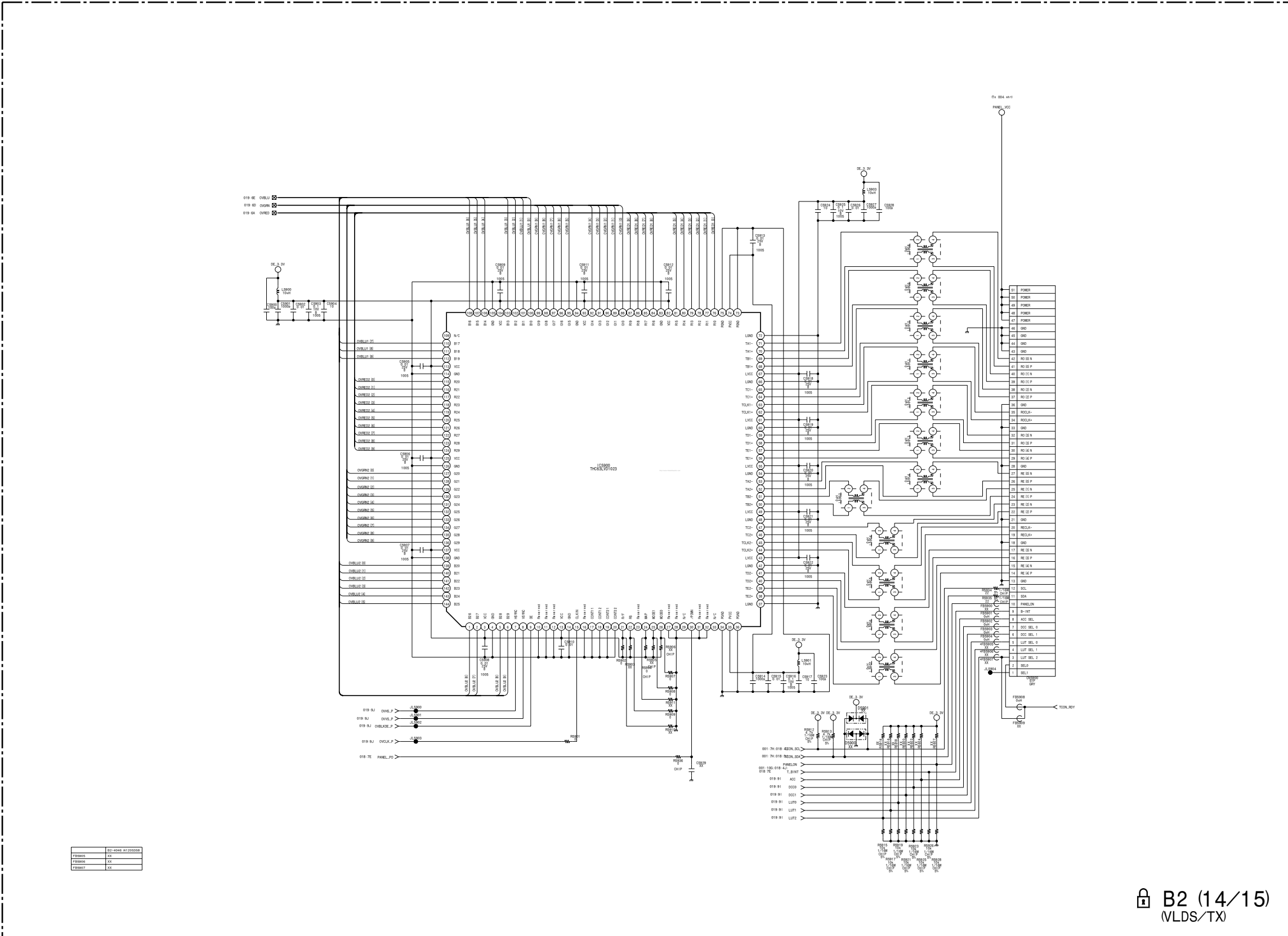
B2 (12/15)
(DE-MICRO)

B-85132064GH -B2-P12



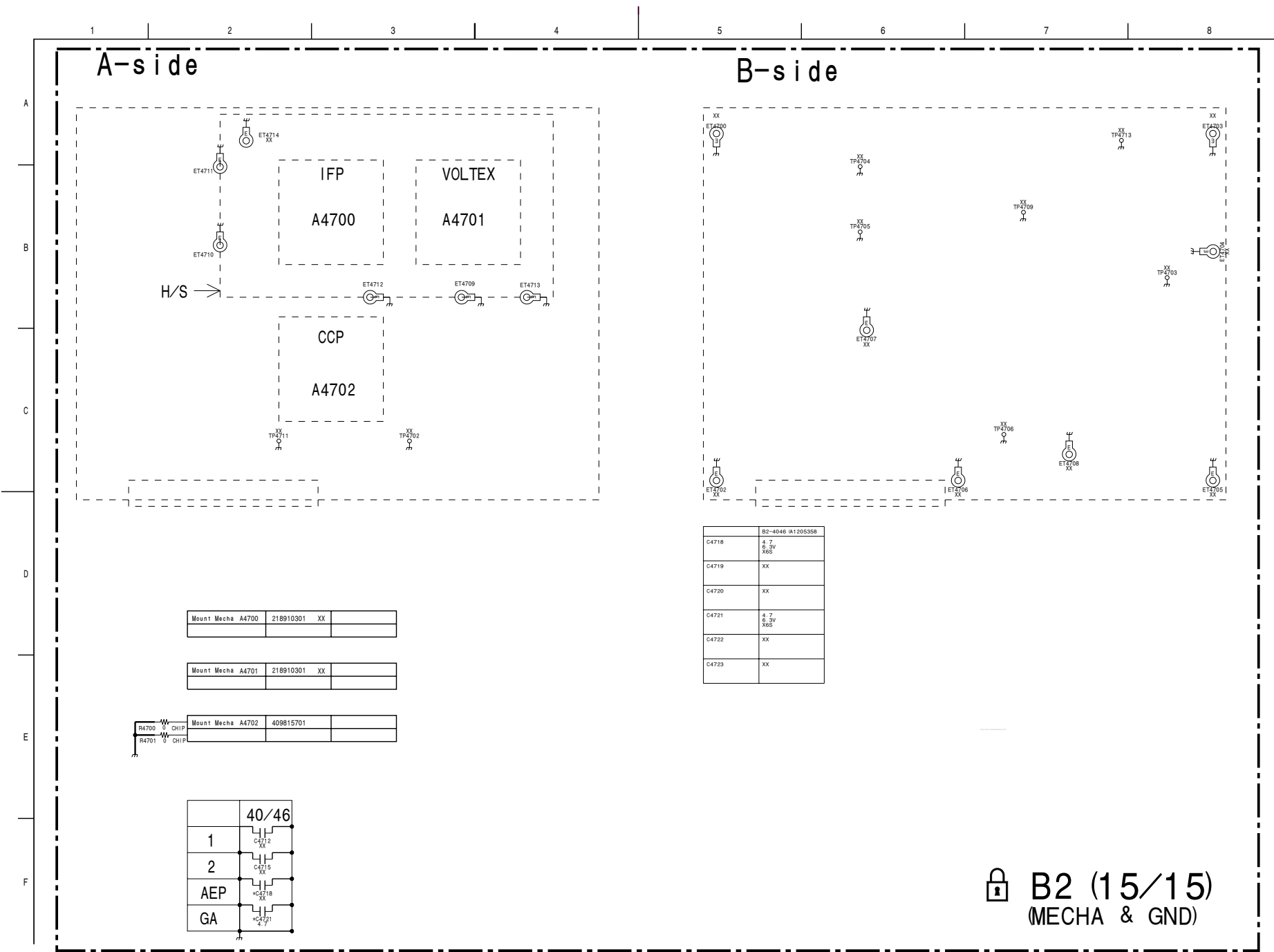
B2 (13/15)
 (VORTEX-R)

B-591 5106-01H 3-B2-P13



019-01	019-02	019-03	019-04	019-05	019-06	019-07	019-08	019-09	019-10	019-11	019-12	019-13	019-14	019-15	019-16	019-17	019-18	019-19	019-20	019-21	019-22	019-23	019-24	019-25	019-26	019-27	019-28	019-29	019-30	019-31	019-32	019-33	019-34	019-35	019-36	019-37	019-38	019-39	019-40	019-41	019-42	019-43	019-44	019-45	019-46	019-47	019-48	019-49	019-50	019-51	019-52	019-53	019-54	019-55	019-56	019-57	019-58	019-59	019-60	019-61	019-62	019-63	019-64	019-65	019-66	019-67	019-68	019-69	019-70	019-71	019-72	019-73	019-74	019-75	019-76	019-77	019-78	019-79	019-80	019-81	019-82	019-83	019-84	019-85	019-86	019-87	019-88	019-89	019-90	019-91	019-92	019-93	019-94	019-95	019-96	019-97	019-98	019-99	019-100
--------	--------	--------	--------	--------	--------	--------	--------	--------	--------	--------	--------	--------	--------	--------	--------	--------	--------	--------	--------	--------	--------	--------	--------	--------	--------	--------	--------	--------	--------	--------	--------	--------	--------	--------	--------	--------	--------	--------	--------	--------	--------	--------	--------	--------	--------	--------	--------	--------	--------	--------	--------	--------	--------	--------	--------	--------	--------	--------	--------	--------	--------	--------	--------	--------	--------	--------	--------	--------	--------	--------	--------	--------	--------	--------	--------	--------	--------	--------	--------	--------	--------	--------	--------	--------	--------	--------	--------	--------	--------	--------	--------	--------	--------	--------	--------	--------	--------	--------	---------

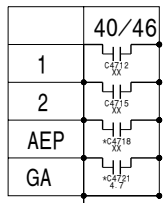
B2 (14/15)
 (VLDS/TX)




Mount Mecha A4700	218910301	XX	
-------------------	-----------	----	--

Mount Mecha A4701	218910301	XX	
-------------------	-----------	----	--

W	CHIP	Mount Mecha A4702	408815701	
R4700	W	CHIP		
R4701	W	CHIP		



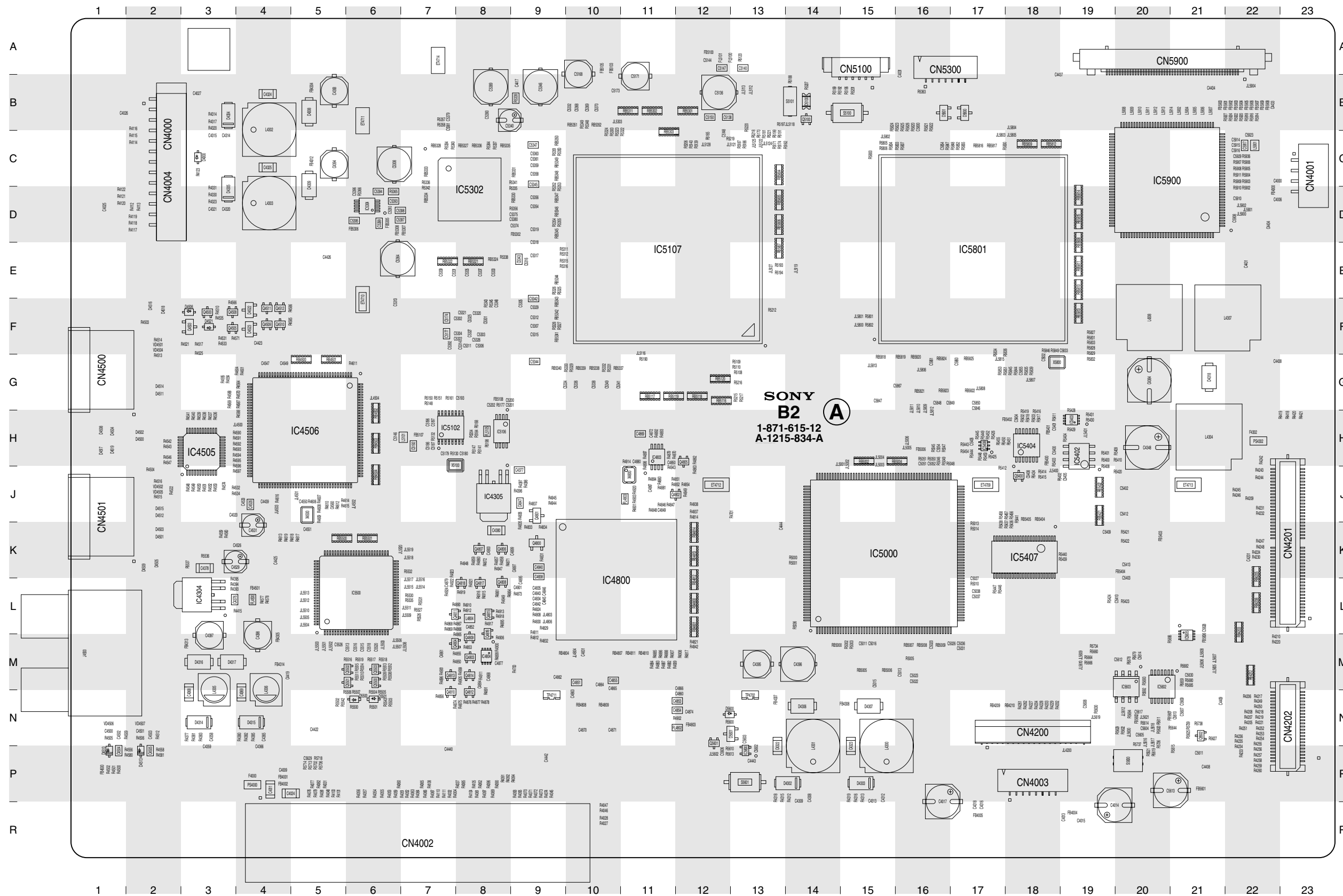
	B2-4046 IA1205358
C4718	4 7 6 3W X68
C4719	XX
C4720	XX
C4721	4 7 6 3W X68
C4722	XX
C4723	XX

 **B2 (15/15)**
(MECHA & GND)

B-SS13206<CH>-B2-P15

— B2 BOARD —

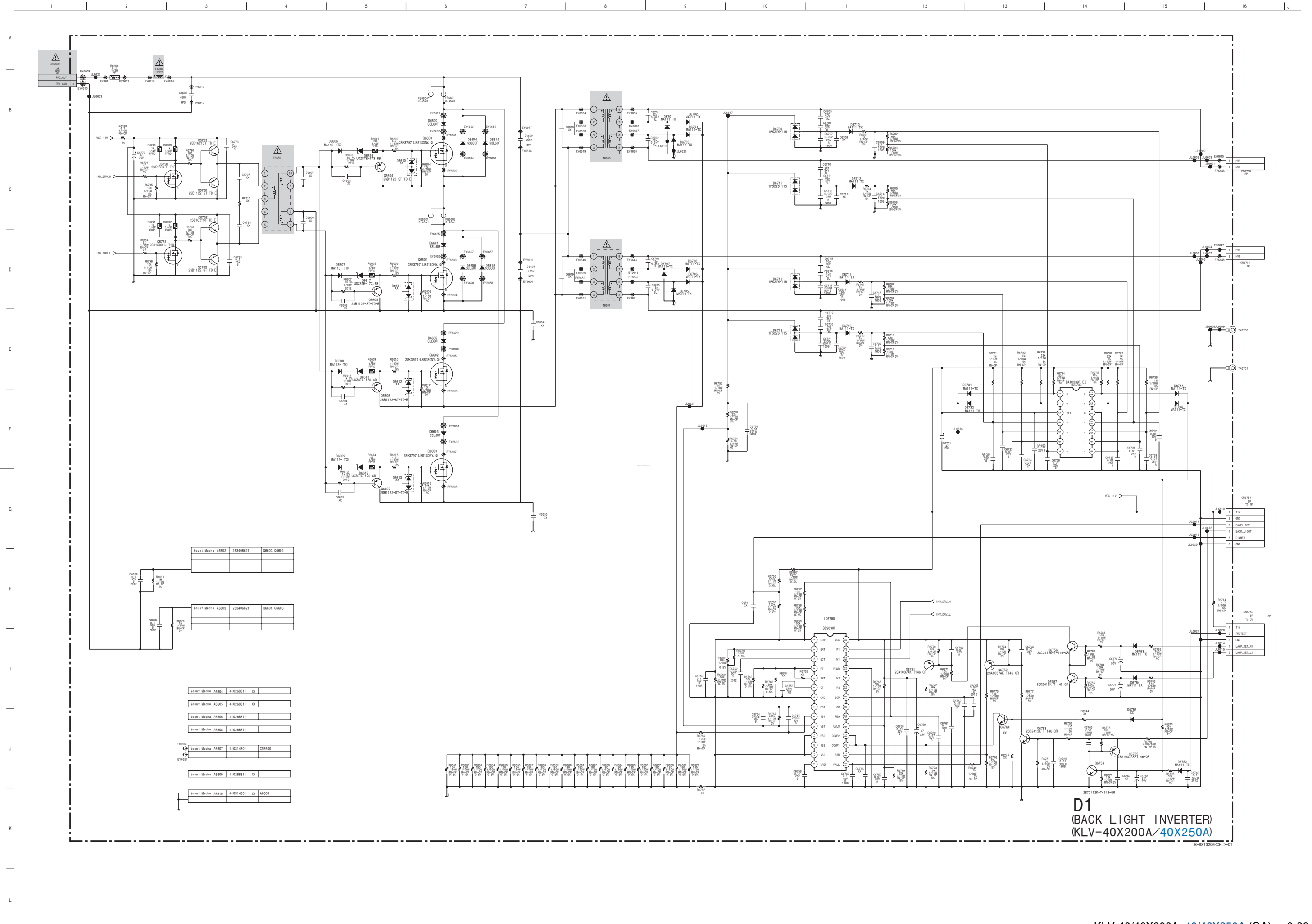
B2 BOARD (A)



SONY
B2 **(A)**
1-871-615-12
A-1215-834-A

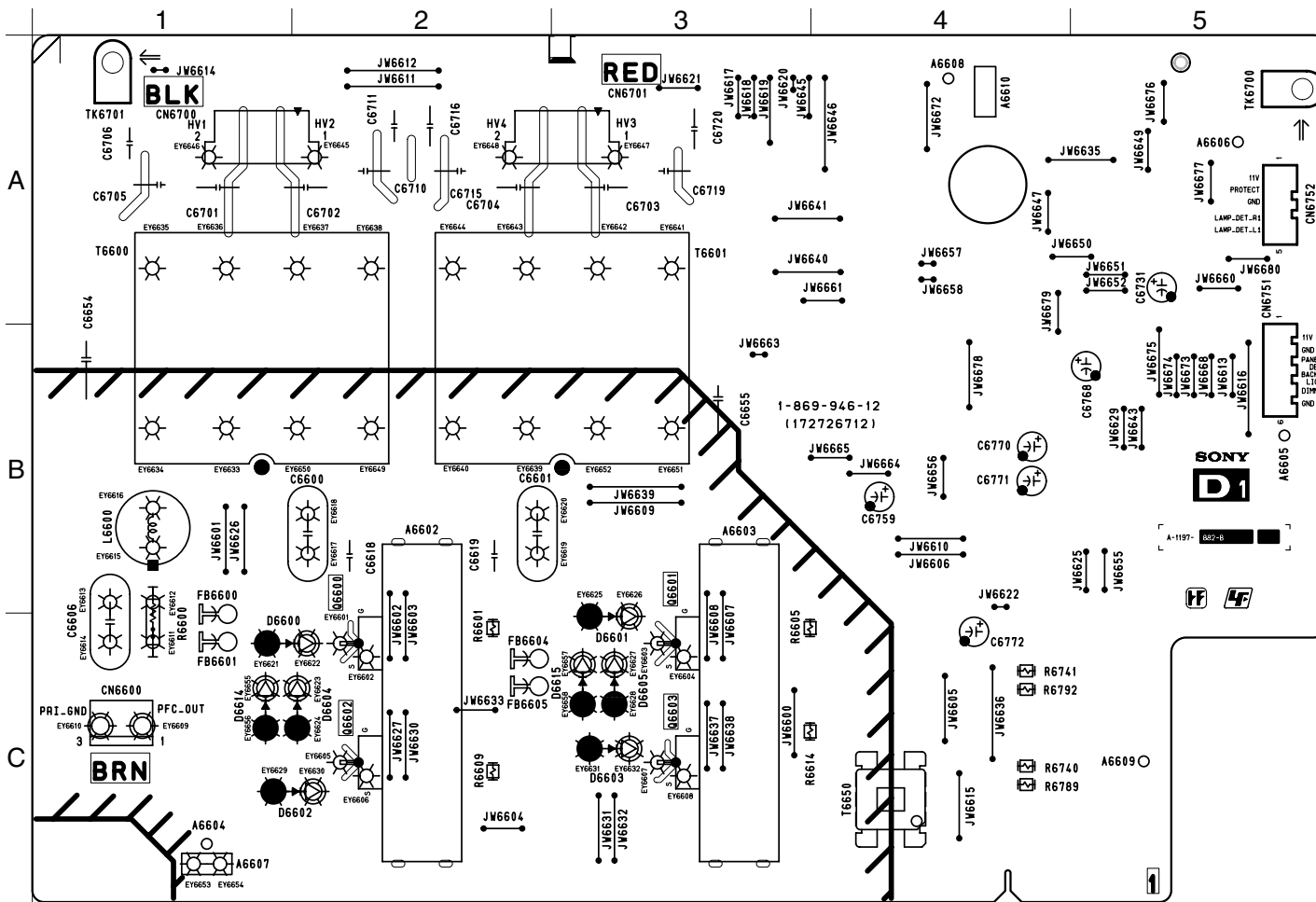
<COMPONENT SIDE>

(3) Schematic Diagram of D1 Board (KLV-40X200A/40X250A)

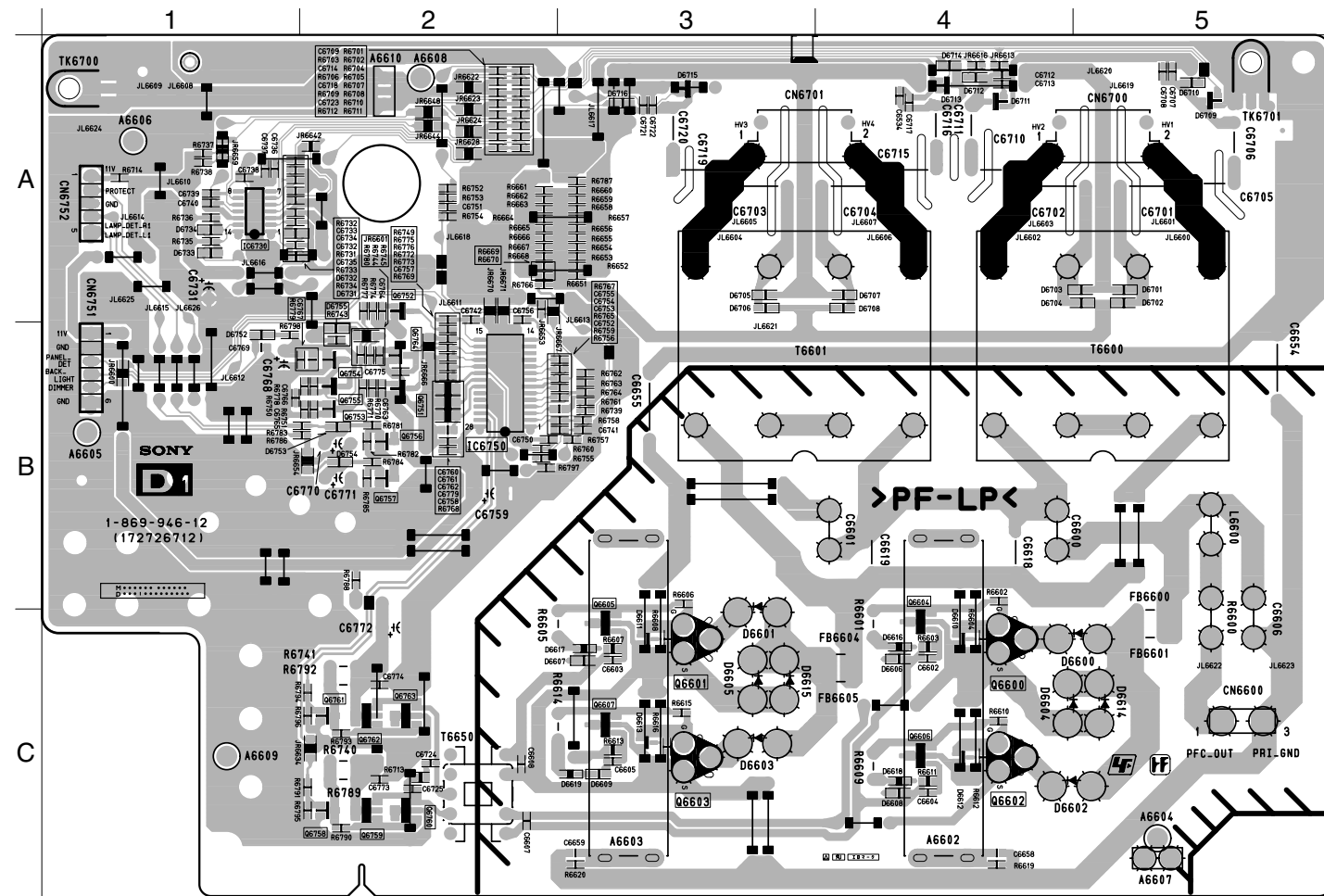


D1 [BACK LIGHT INVERTER] (KLV-40X200A/40X250A)

— D1 BOARD —



<COMPONENT SIDE>



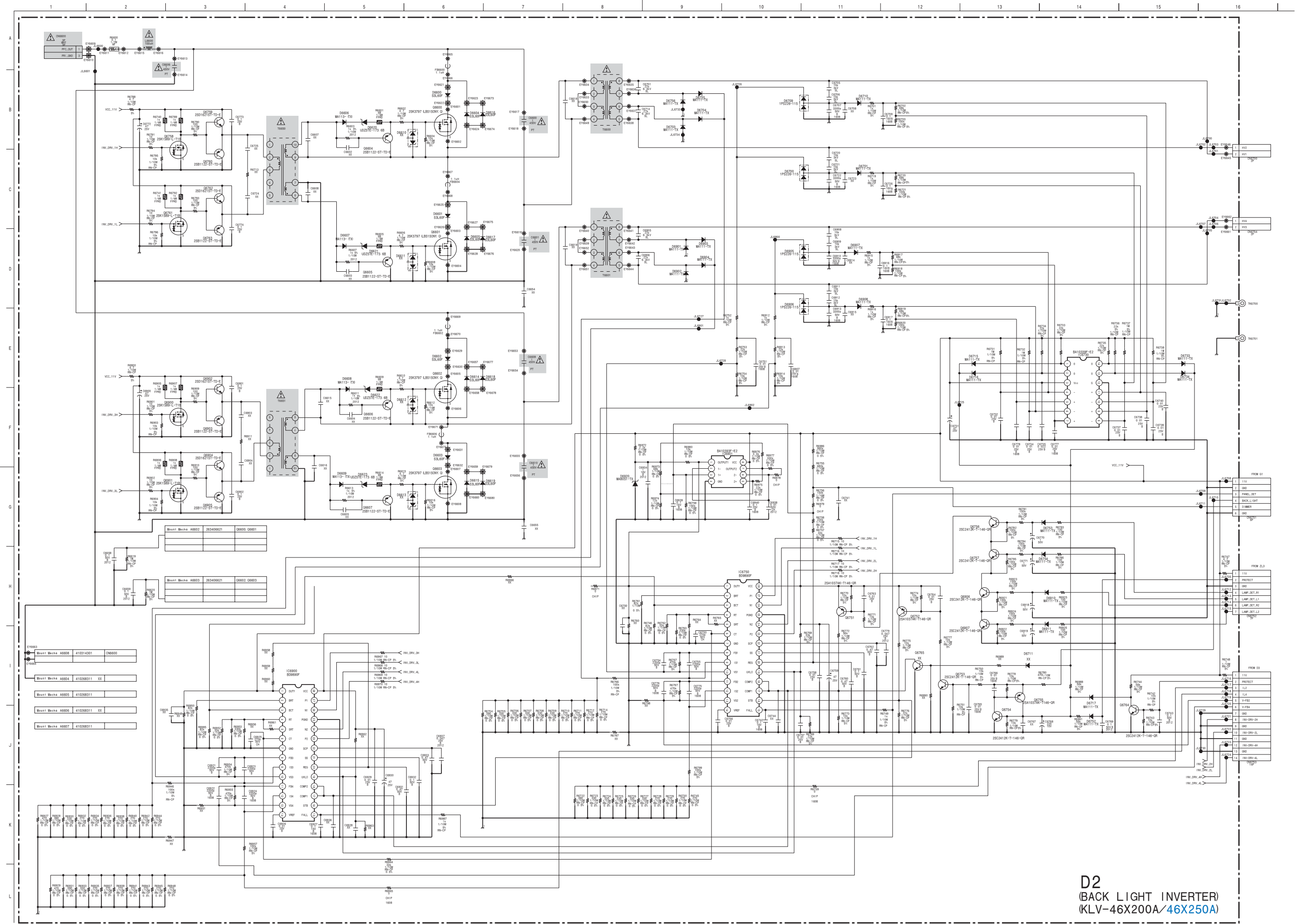
<CONDUCTOR SIDE>

• D1 BOARD SEMICONDUCTOR LOCATION

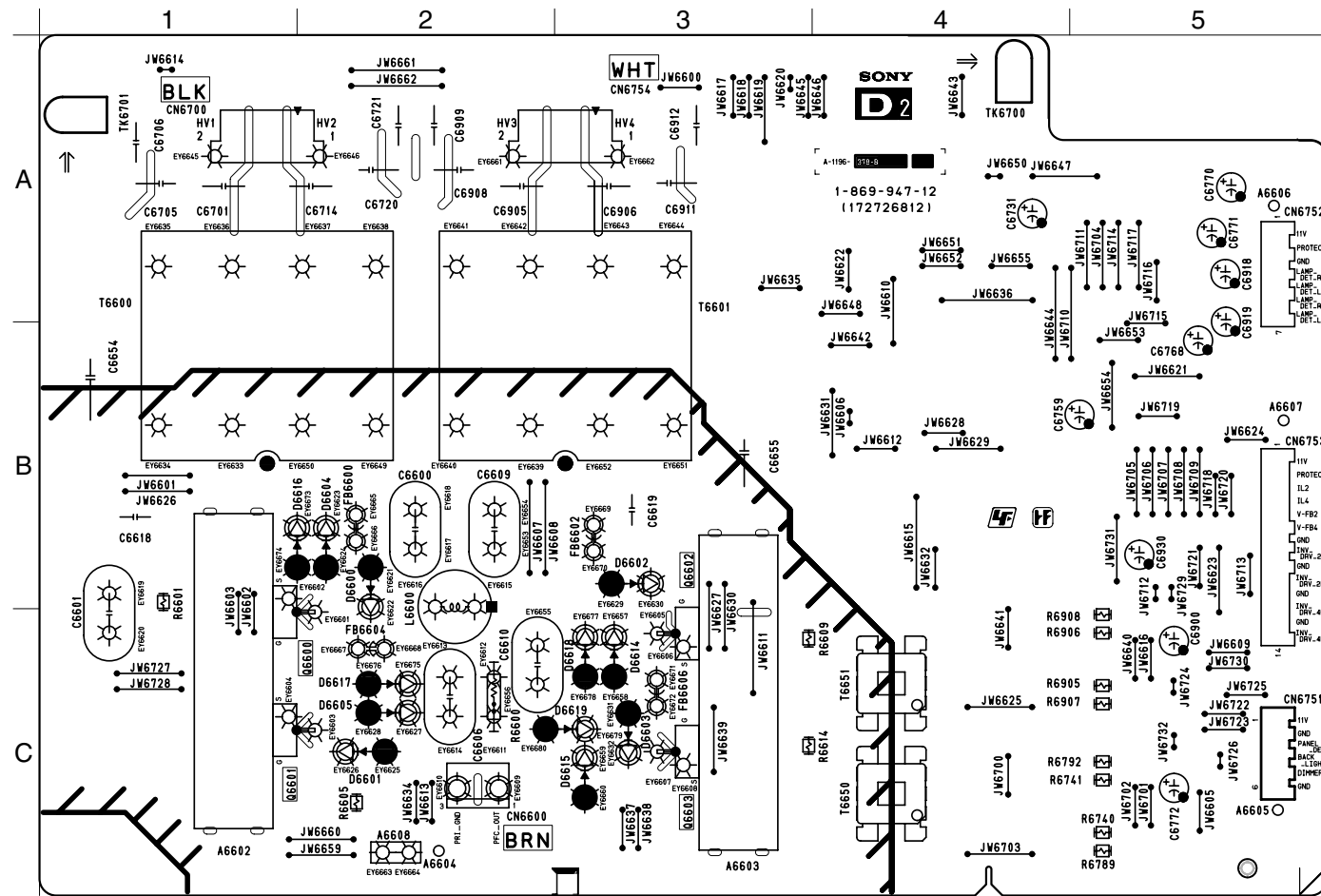
IC	Q6606	C-4	②	DIODE	D6613	C-3	⑩	D6710	A-5	③
(Component Side) (Conductor Side)	Q6607	C-3	②	(Component Side) (Conductor Side) *	D6614	C-1	-	D6711	A-4	⑩
IC6730	Q6751	B-2	①		D6615	C-3	-	D6712	A-4	⑩
IC6752	Q6752	A-2	①	D6600	C-1	③	D6616	D6713	A-4	⑩
IC6750	Q6753	B-2	①	D6601	C-3	-	D6617	D6714	A-4	⑩
	Q6754	B-2	①	D6602	C-1	-	D6618	D6715	A-3	⑩
	Q6755	B-2	①	D6603	C-3	-	D6619	D6716	A-3	⑩
	Q6756	B-2	①	D6604	C-2	-	D6701	D6731	A-1	⑩
TRANSISTOR	Q6757	B-2	①	D6605	C-3	-	D6702	D6732	A-1	⑩
(Component Side) (Conductor Side) *	Q6758	C-2	①	D6606	C-4	⑩	D6703	D6733	A-1	⑩
Q6600	Q6759	C-2	②	D6607	C-3	⑩	D6704	D6734	A-1	⑩
Q6601	Q6760	C-2	②	D6608	C-4	⑩	D6705	D6752	B-1	⑩
Q6602	Q6761	C-2	①	D6609	C-3	⑩	D6706	D6753	B-2	⑩
Q6603	Q6762	C-2	②	D6610	C-4	⑩	D6707	D6754	B-2	⑩
Q6604	Q6763	C-2	②	D6611	C-3	⑩	D6708	D6755	B-2	⑩
Q6605	Q6764	B-2	①	D6612	C-4	⑩	D6709			

*: Refer to Terminal name of semiconductors in silk screen printed circuit (see page 2-4)

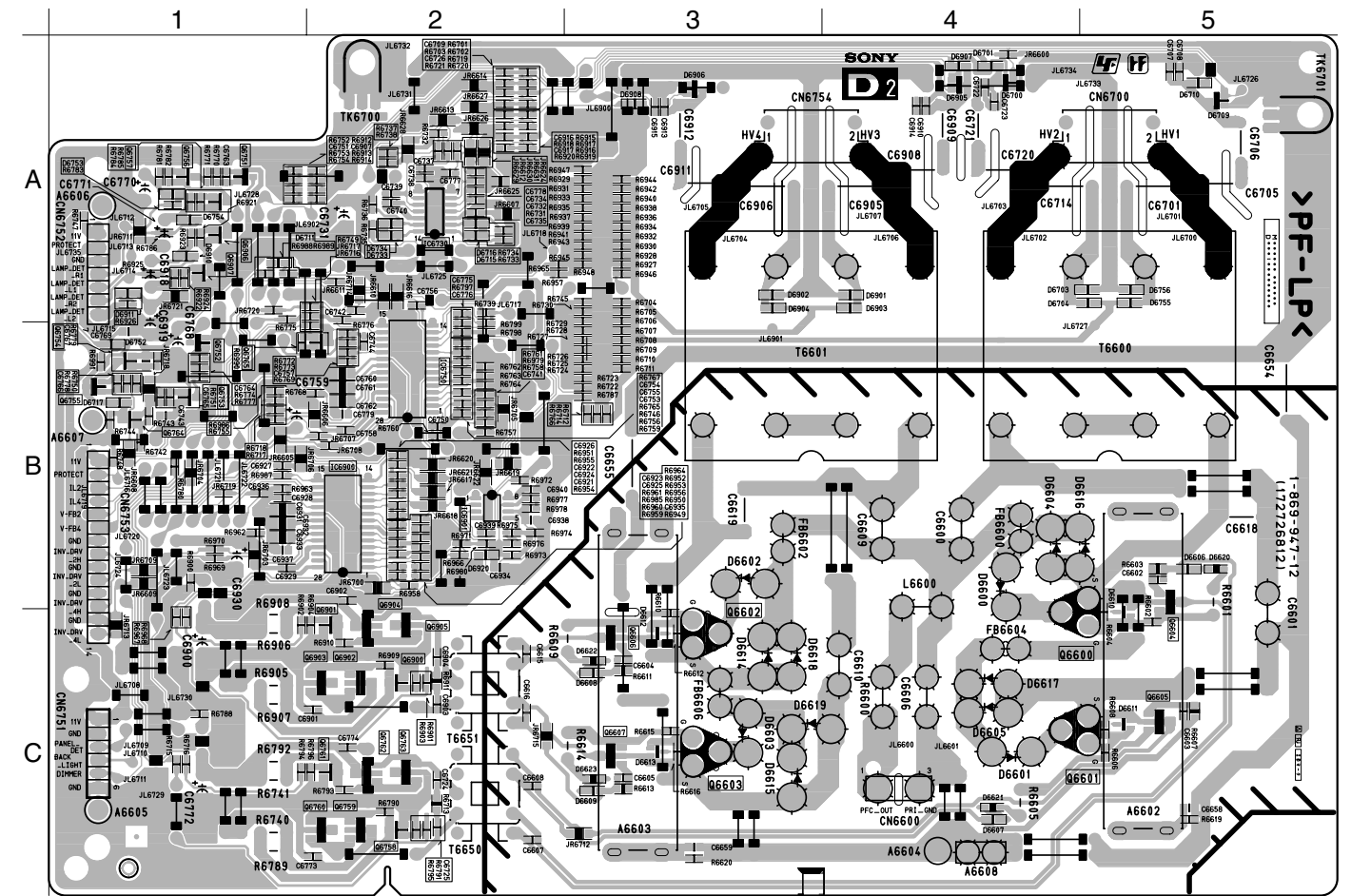
(4) Schematic Diagram of D2 Board (KLV-46X200A/46X250A)



— D2 BOARD —



<COMPONENT SIDE>



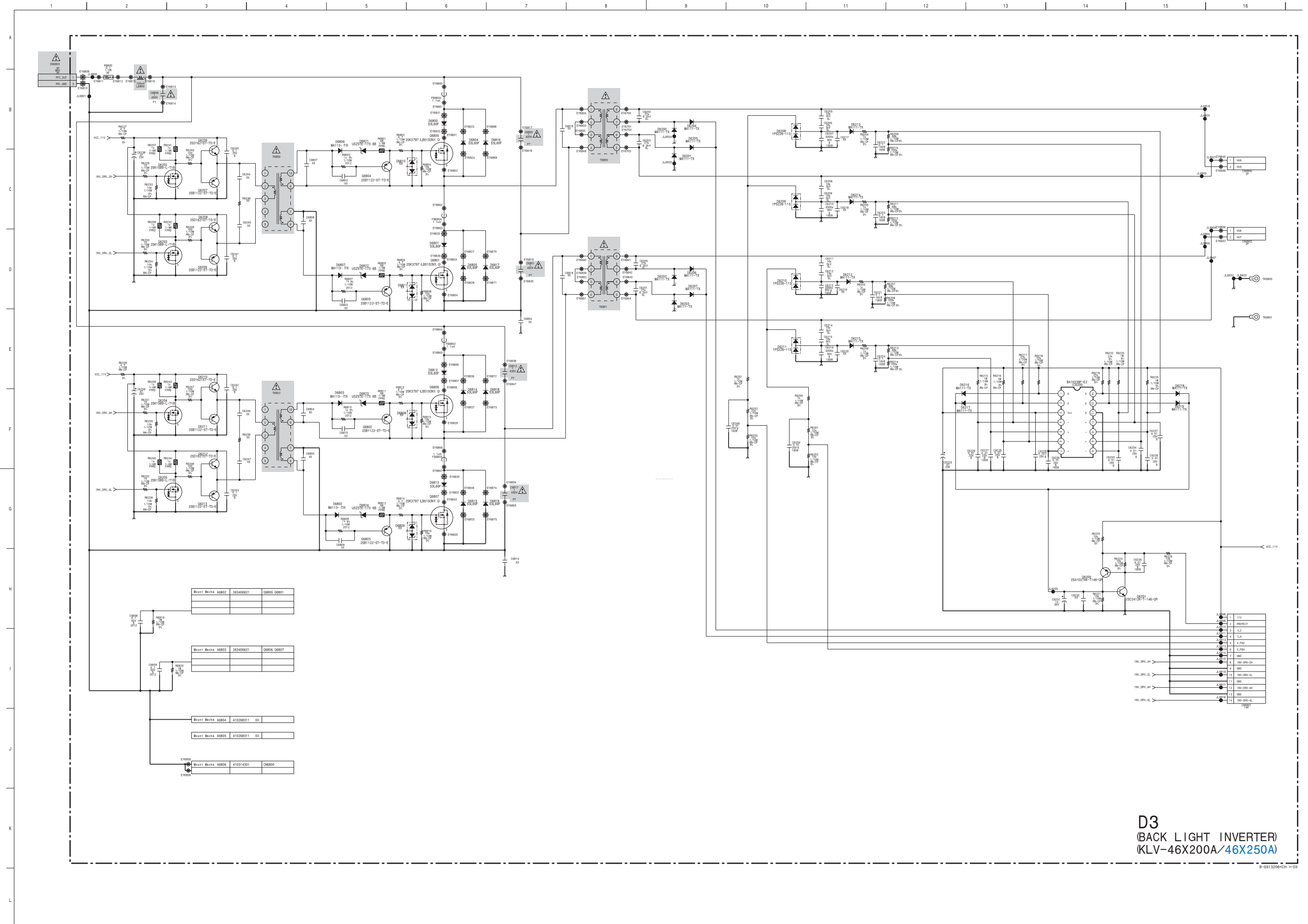
<CONDUCTOR SIDE>

• D2 BOARD SEMICONDUCTOR LOCATION

IC	(Component Side)	(Conductor Side)	Q6751	A-1	①	Q6905	C-2	②	D6612	C-3	⑩	D6752	B-1	⑨
			Q6752	B-1	①	Q6906	A-1	①	D6613	C-3	⑩	D6753	A-1	⑨
			Q6753	B-1	①	Q6907	A-1	①	D6614	C-3	-	D6754	A-1	⑨
IC6730	A-2	-	Q6754	B-1	①	DIODE			D6615	C-3	-	D6755	A-5	⑨
IC6750	B-2	-	Q6755	B-1	①						D6616	B-2	-	D6756
IC6900	B-2	-	Q6756	A-1	①			D6617	C-2	-	D6901	A-4	⑨	
IC6901	B-2	-	Q6757	A-1	①			D6618	C-3	-	D6902	A-3	⑨	
			Q6758	A-1	①			D6619	C-2	-	D6903	A-4	⑨	
			Q6759	C-2	②	D6600	B-2	-	D6700	A-4	⑥	D6904	A-3	⑨
			Q6760	C-2	②	D6601	C-2	-	D6701	A-4	⑥	D6905	A-4	⑨
			Q6761	C-2	②	D6602	B-3	-	D6703	A-5	⑥	D6906	A-3	⑨
			Q6762	C-2	②	D6603	C-3	-	D6704	A-5	⑥	D6907	A-4	⑨
			Q6763	C-2	②	D6604	B-2	-	D6709	A-5	⑥	D6908	A-3	⑨
Q6601	C-1	-	Q6764	B-1	①	D6605	C-2	-	D6710	A-5	⑥	D6910	A-1	⑨
Q6602	C-3	-	Q6765	B-2	①	D6606	B-5	③	D6711	A-1	⑥	D6911	A-1	⑨
Q6603	C-3	-	Q6900	C-2	②	D6607	C-4	③	D6715	A-2	⑥	D6920	B-2	⑨
Q6604	B-5	②	Q6901	C-2	②	D6608	C-3	③	D6716	A-2	⑥			
Q6605	C-5	②	Q6902	C-2	②	D6609	C-3	③	D6717	B-1	⑥			
Q6606	C-3	②	Q6903	C-2	②	D6610	C-5	③	D6733	A-2	⑥			
Q6607	C-3	②	Q6904	C-2	②	D6611	C-5	③	D6734	A-2	⑥			

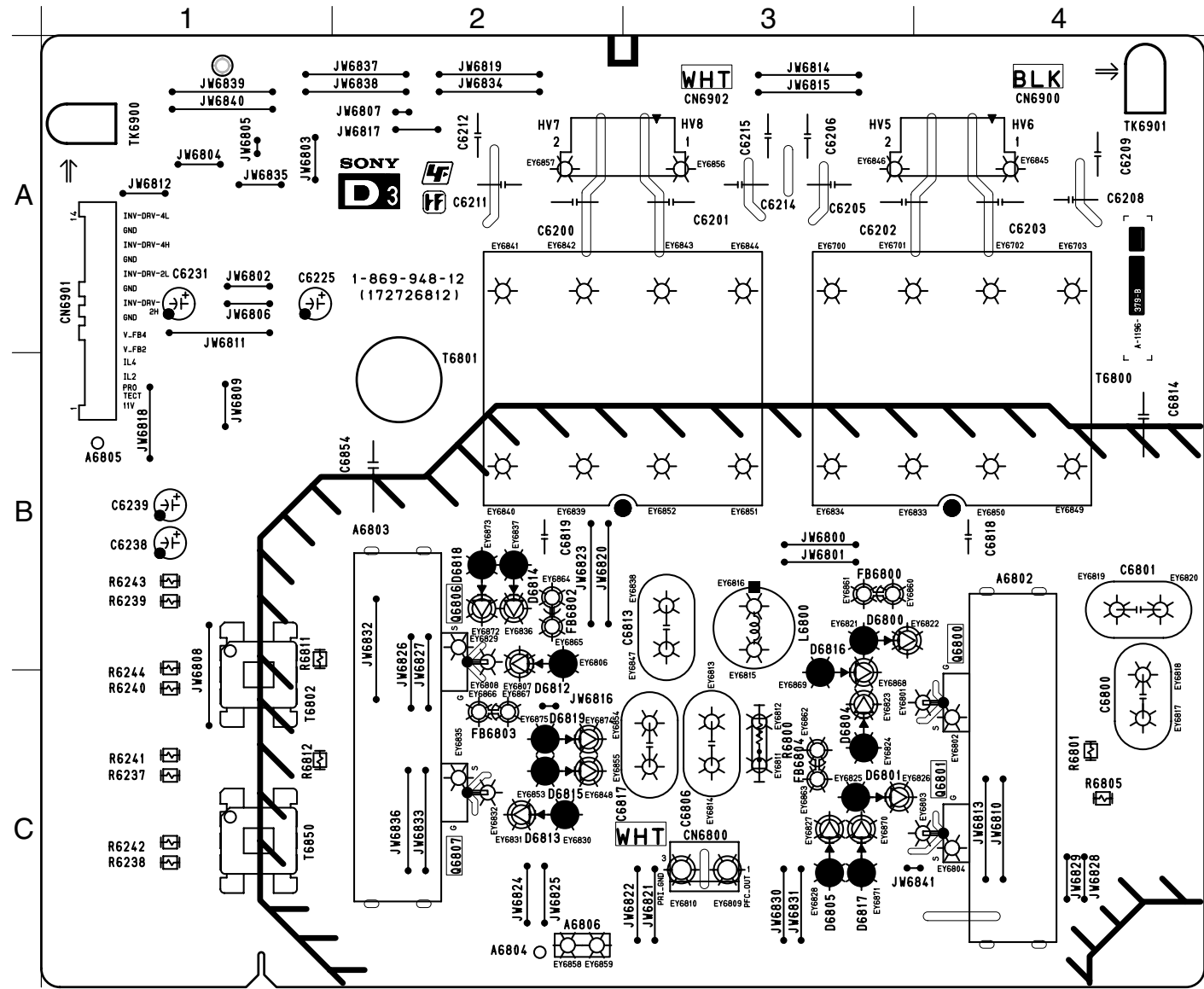
*: Refer to Terminal name of semiconductors in silk screen printed circuit (see page 2-4)

(5) Schematic Diagram of D3 Board (KLV-46X200A/46X250A)

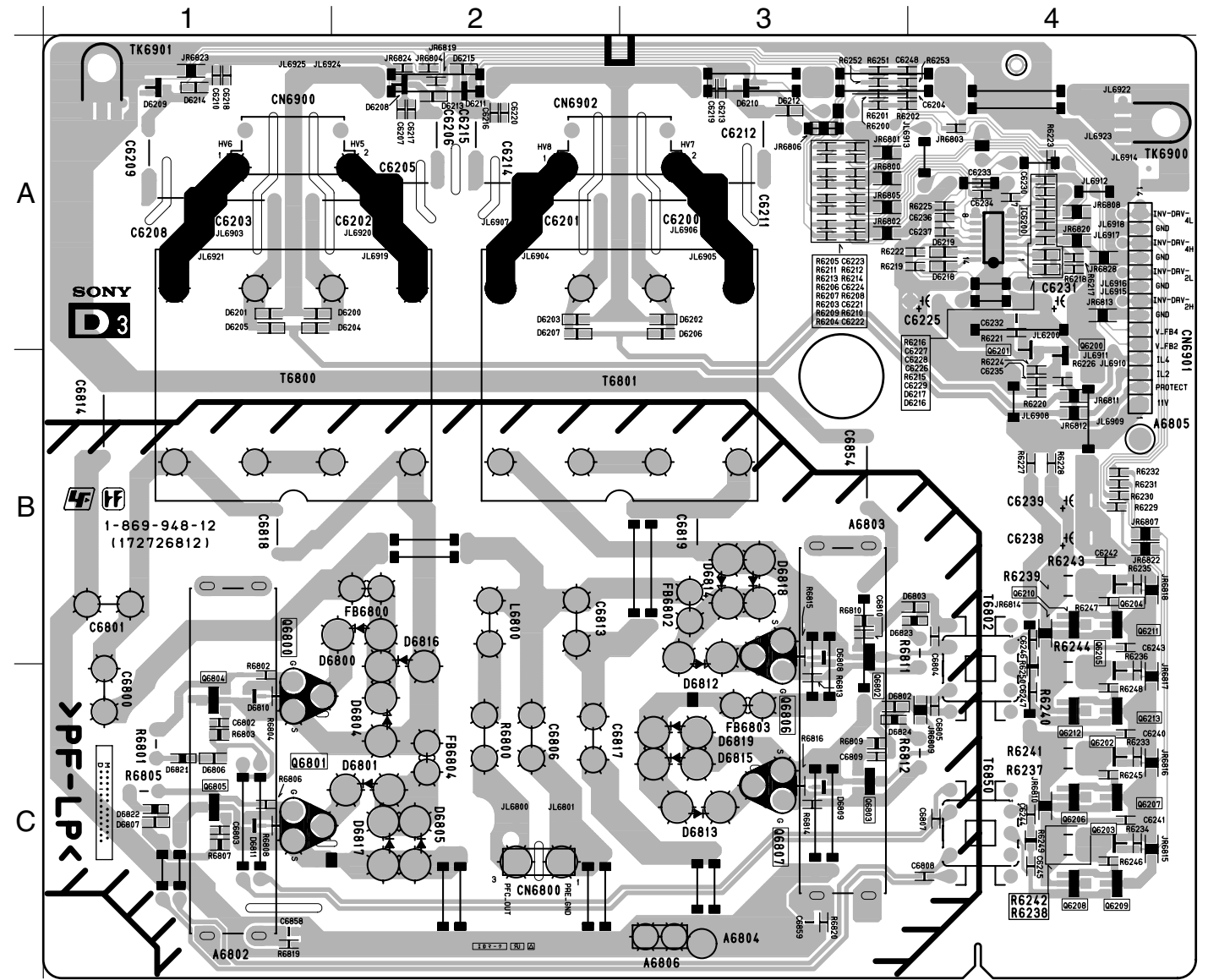


D3
BACK LIGHT INVERTER
(KLV-46X200A/46X250A)

— D3 BOARD —



<COMPONENT SIDE>

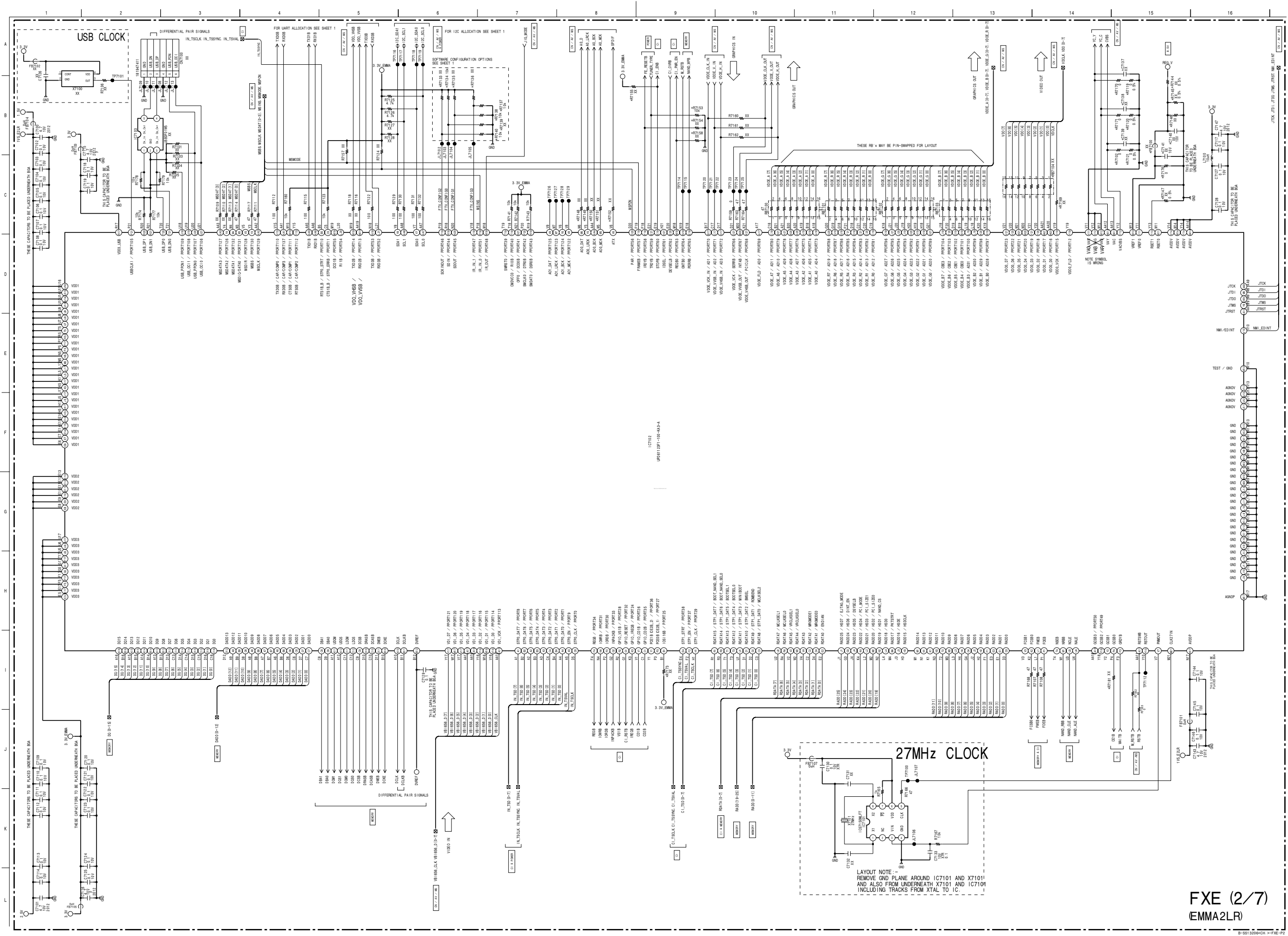


<CONDUCTOR SIDE>

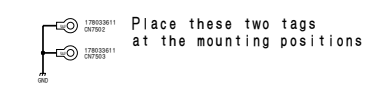
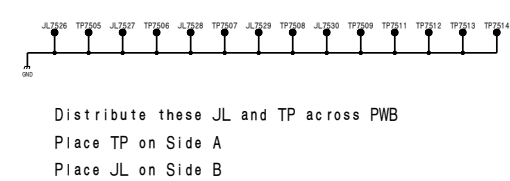
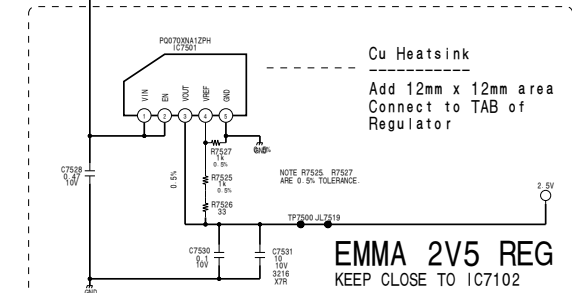
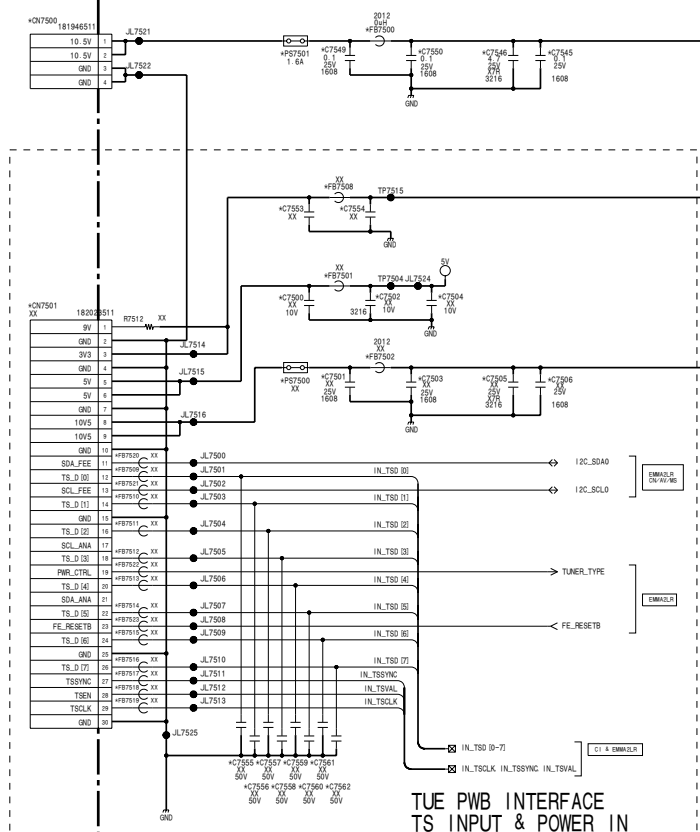
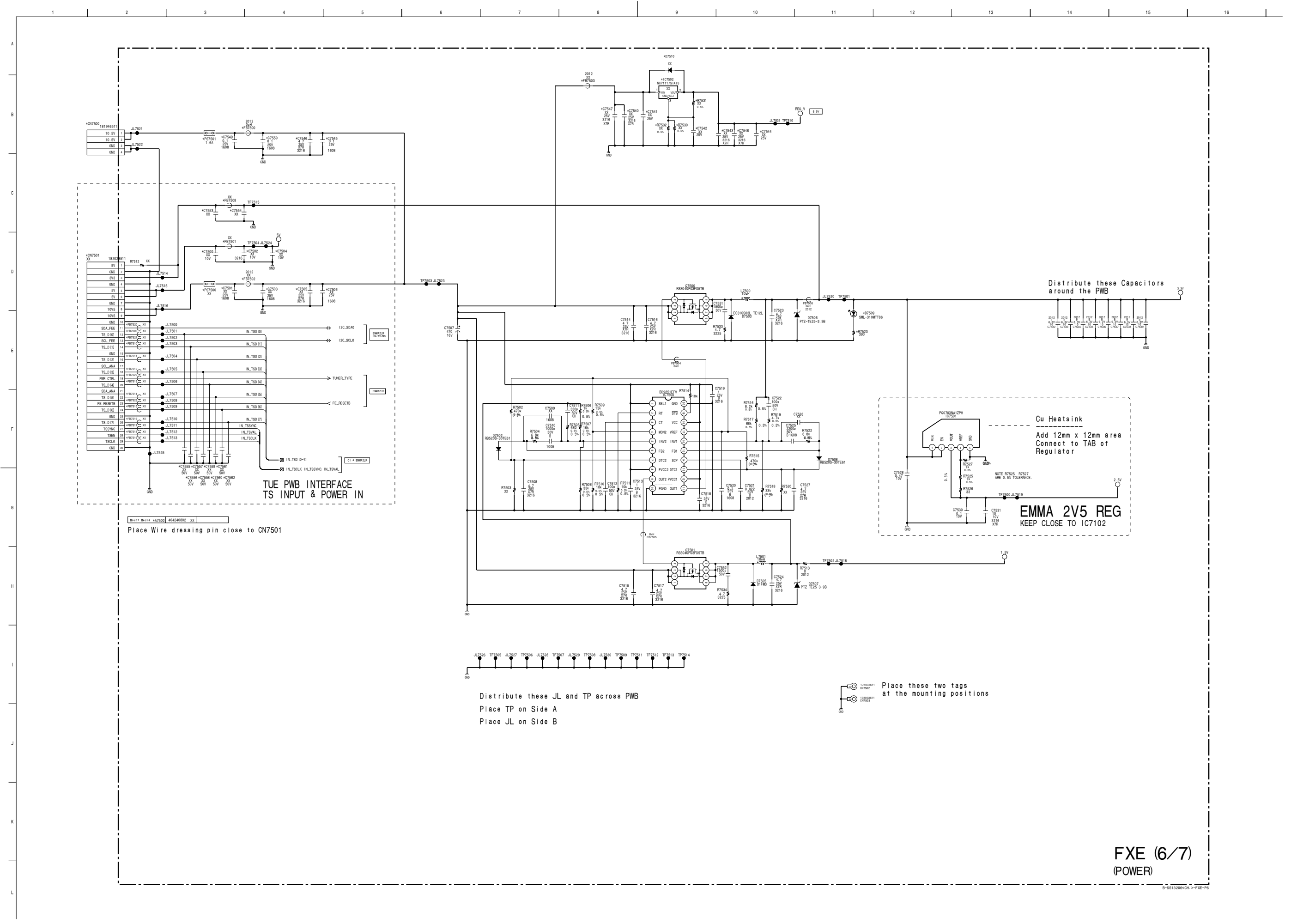
• D3 BOARD SEMICONDUCTOR LOCATION

IC	(Component Side)	(Conductor Side)	Location
IC6200	Q6206	C-4	②
	Q6207	C-4	②
	Q6208	C-4	②
	Q6209	C-4	②
	Q6210	B-4	②
TRANSISTOR	Q6211	B-4	②
	Q6212	C-4	②
	Q6213	C-4	②
	Q6200	B-4	①
	Q6201	B-4	①
Q6202	C-4	①	
Q6203	C-4	①	
Q6204	B-4	①	
Q6205	C-4	①	
DIODE	(Component Side)	(Conductor Side)	*
	D6200	A-1	③
	D6201	A-1	③
	D6202	A-3	③
	D6203	A-2	③
	D6204	A-1	③
	D6205	A-1	③
	D6206	A-3	③
	D6207	A-2	③
	D6208	A-2	③
	D6209	A-1	③
	D6210	A-3	③
D6211	A-2	③	
D6212	A-3	③	
D6213	A-2	③	
D6214	A-1	③	
D6215	A-2	③	
D6216	A-4	③	
D6217	A-4	③	
D6218	A-4	③	
D6219	A-4	③	
D6800	B-3	-	
D6801	C-3	-	
D6802	C-3	③	
D6803	B-4	③	
D6804	C-3	-	
D6805	C-3	-	
D6806	C-1	③	
D6807	C-1	③	
D6808	B-3	③	
D6809	C-3	③	
D6810	C-1	③	
D6811	C-1	③	
D6812	B-2	-	
D6813	C-2	-	
D6814	B-2	-	
D6815	C-2	-	
D6816	C-3	-	
D6817	C-3	-	
D6818	B-2	-	
D6819	C-2	-	

*: Refer to Terminal name of semiconductors in silk screen printed circuit (see page 2-4)



FXE (2/7)
(EMMA2LR)



FXE (6/7)
(POWER)

SHEET-2

GA/AUS Part Name	Value
C7137	116485081 XX
C7138	116485081 XX
C7139	116485081 XX
C7140	111772091 XX
C7141	110090711 XX
FB7100	140083421 XX
R7102	121899081 0
R7119	121899081 0
R7120	121899081 0
R7121	121899081 0
R7133	121896581 XX
R7134	121896581 10k
R7135	121896581 XX
R7136	121896581 XX
R7137	121896581 10k
R7138	121896581 10k
R7139	121896581 XX
R7140	121896581 10k
R7144	120887981 XX
R7145	120888381 XX
R7146	121896581 XX
R7147	120887981 XX
R7148	121894781 XX
R7149	121894781 XX
R7150	121894781 XX
R7151	121894181 XX
R7152	121893781 XX
R7153	121896581 10k
R7154	121896581 XX
R7155	121896581 XX
R7158	121896581 XX
R7169	121893781 XX
R7170	121899081 0
R7171	121899081 0
R7173	121896581 XX
R7176	121899081 0
R7181	121893781 XX
RB7104	123471021 XX

SHEET-3

GA/AUS Part Name	Value
IC7201	670789901 -

**MODEL VARIATION:
GA/AUS & AEP/UK**

PLEASE NOTE:
THE FOLLOWING MODEL DESIGN
VARIATIONS ARE IDENTICAL
AUS = GA

**PHASE VARIATION:
TRIAL & MP**

SHEET-5

Trial Part Name	Value
DN7400	181871421 -
Q7413	872902743 -
Q7414	872902743 -
R7479	121896181 4.7k
R7480	121896581 10k

SHEET-4

GA/AUS Part Name	Value
A7300	181564021 XX
C7300	110090711 XX
C7301	116493781 XX
C7302	110090711 XX
C7303	110090711 XX
C7304	110090711 XX
C7305	110090711 XX
C7306	110090711 XX
C7307	110090711 XX
C7308	110090711 XX
C7309	110090711 XX
C7310	110090711 XX
C7311	116590891 XX
C7312	110090711 XX
C7313	116493781 XX
C7314	110090711 XX
DN7300	181564111 XX
FB7300	140083421 XX
FB7301	140083421 XX
FB7302	140083421 XX
FB7303	140083421 XX
FB7304	140083421 XX
FB7305	140083421 XX
FB7306	140083421 XX
FB7307	140083421 XX
FB7308	146986921 XX
FB7309	140083421 XX
IC7300	670648201 XX
IC7301	875929891 XX
IC7302	670813201 XX
IC7303	875957397 XX
IC7304	875957397 XX
IC7305	875957397 XX
IC7306	875957397 XX
IC7307	875957397 XX
IC7308	875957397 XX
IC7309	670579001 XX
IC7310	670648201 XX
R7300	121896581 XX
R7301	121894181 XX
R7302	121899081 XX
R7303	121894181 XX
R7304	121893781 XX
R7305	121893781 XX
R7306	121896581 XX
R7307	121896581 XX
R7308	121896581 XX
R7309	121896581 XX
R7310	121896581 XX
R7311	121896581 XX
R7312	121896581 XX
R7313	120887781 XX
R7314	121895381 XX
R7315	121895381 XX
R7316	121895381 XX
R7317	121895381 XX
R7318	121893781 XX
R7319	121895381 XX
R7320	121893781 XX
R7321	121893781 XX
R7322	121893781 XX
R7323	121893781 XX
R7324	121893781 XX
R7325	121894581 XX
R7326	121899081 XX

SHEET-6

Trial Part Name	Value
D7509	871905307 -
R7523	121894881 390

SHEET-5

GA/AUS Part Name	Value
C7409	116487481 XX
C7410	116487481 XX
C7411	111772091 XX
C7412	111772091 XX
C7413	110090711 XX
C7414	110090711 XX
C7415	110090711 XX
C7416	110090711 XX
C7417	110061191 XX
C7418	110061191 XX
C7419	110061191 XX
C7420	116590891 XX
C7421	116590891 XX
C7422	116485081 XX
C7423	116485081 XX
C7424	116485081 XX
C7425	110090711 XX
C7426	110059791 XX
C7427	111772091 XX
C7428	110090711 XX
C7429	116485081 XX
C7430	116485081 XX
C7431	116485081 XX
C7432	110090711 XX
FB7401	140083421 XX
FB7402	140083421 XX
IC7403	670780801 XX
IC7404	875928340 XX
IC7405	670327101 XX
L7400	141200841 XX
L7401	141200841 XX
L7402	141200841 XX
Q7404	655023701 XX
Q7405	655023701 XX
Q7406	655023701 XX
Q7407	655023201 XX
Q7408	655023201 XX
Q7409	655023201 XX
Q7410	872901005 XX
Q7411	872901005 XX
Q7412	872901005 XX
R7426	120888781 XX
R7427	120888781 XX
R7428	121897281 XX
R7429	121897281 XX
R7430	120891681 XX
R7431	121896581 XX
R7432	121896581 XX
R7433	120891681 XX
R7435	120891981 XX
R7436	120891981 XX
R7437	120890381 XX
R7438	120890381 XX
R7439	121894181 XX
R7440	121894181 XX
R7441	121896681 XX
R7442	121896381 XX
R7443	121896681 XX
R7444	121896381 XX
R7445	121896681 XX
R7446	121896381 XX
R7447	121894981 XX
R7448	120887981 XX
R7449	121899081 XX
R7450	121894981 XX
R7451	120887981 XX
R7452	121899081 XX
R7453	121894981 XX
R7454	120887981 XX
R7455	121899081 XX
R7456	121894581 XX
R7457	121894581 XX
R7458	121894581 XX
R7459	120887981 XX
R7460	120887981 XX
R7461	120887981 XX
R7462	121894581 XX
R7463	121894581 XX
R7464	121894581 XX
R7465	122016981 XX
R7466	122016981 XX
R7467	122016981 XX
R7468	121899081 XX
R7469	121899081 XX
R7470	121899081 XX

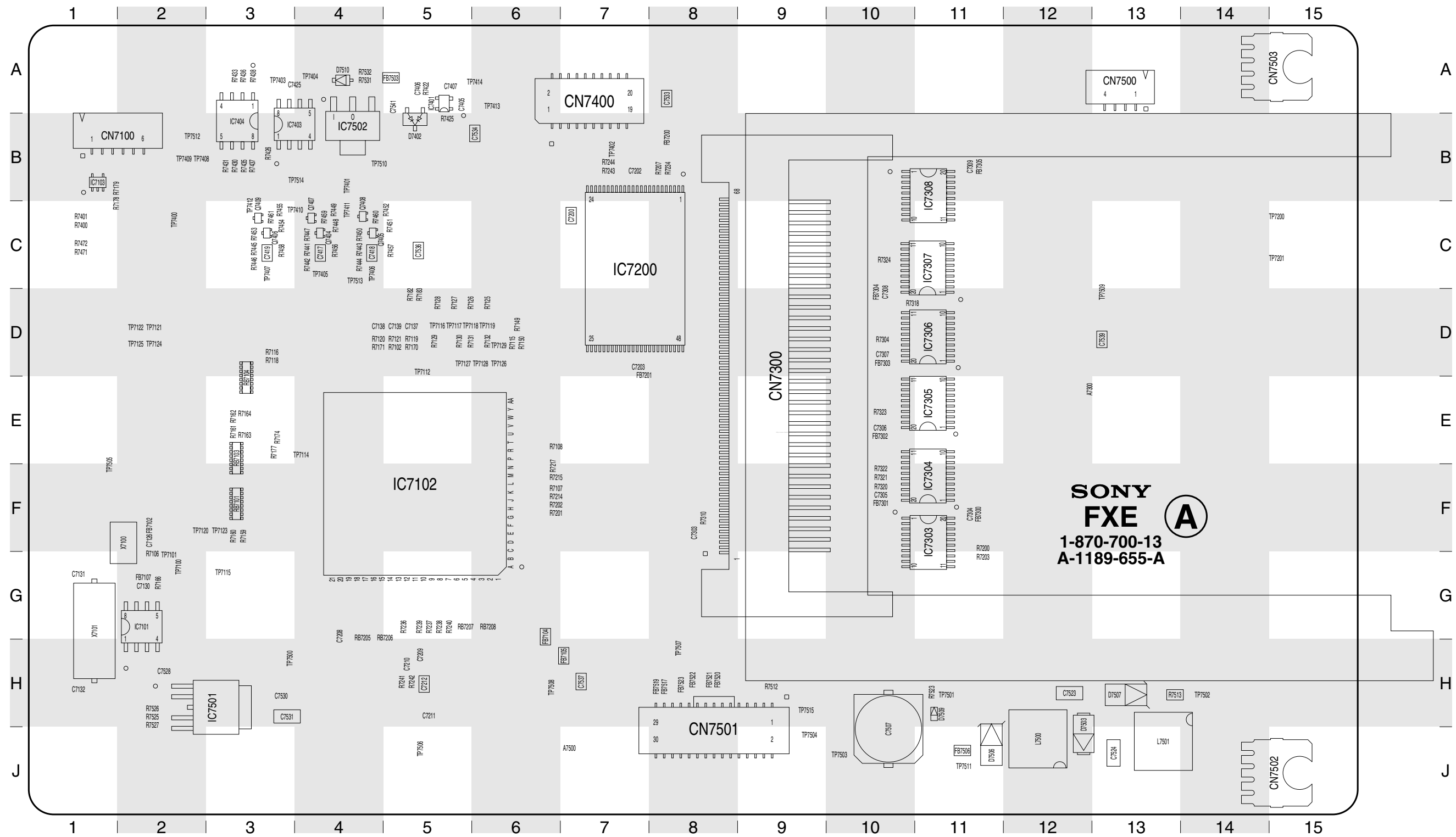
SHEET-6

GA/AUS Part Name	Value
A7500	404240802 XX
C7500	110090711 XX
C7501	110059791 XX
C7502	116587591 XX
C7503	110059791 XX
C7504	110090711 XX
C7505	110091111 XX
C7506	110059791 XX
C7540	110091111 XX
C7541	110059791 XX
C7542	110059791 XX
C7543	110091111 XX
C7544	110059791 XX
C7545	110059791 0.1
C7546	110091111 4.7
C7547	110091111 XX
C7548	110091111 XX
C7549	110059791 0.1
C7550	110059791 0.1
C7553	110090711 XX
C7554	110090711 XX
C7555	116487481 XX
C7556	116487481 XX
C7557	116487481 XX
C7558	116487481 XX
C7559	116487481 XX
C7560	116487481 XX
C7561	116487481 XX
C7562	116487481 XX
DN7500	181946511 -
DN7501	182023511 XX
D7510	871908197 XX
FB7500	146986921 0uH
FB7501	146986921 XX
FB7502	146986921 XX
FB7503	146986921 XX
FB7508	146986921 XX
FB7509	140083421 XX
FB7510	140083421 XX
FB7511	140083421 XX
FB7512	140083421 XX
FB7513	140083421 XX
FB7514	140083421 XX
FB7515	140083421 XX
FB7516	140083421 XX
FB7517	140083421 XX
FB7518	140083421 XX
FB7519	140083421 XX
FB7520	140083421 XX
FB7521	140083421 XX
FB7522	140083421 XX
FB7523	140083421 XX
IC7502	670610601 XX
PS7500	153365141 XX
PS7501	153365141 1.6A
R7530	120889181 XX
R7531	120886581 XX
R7532	120889081 XX

FXE (7/7)
(DESIGN VARIATION TABLE)

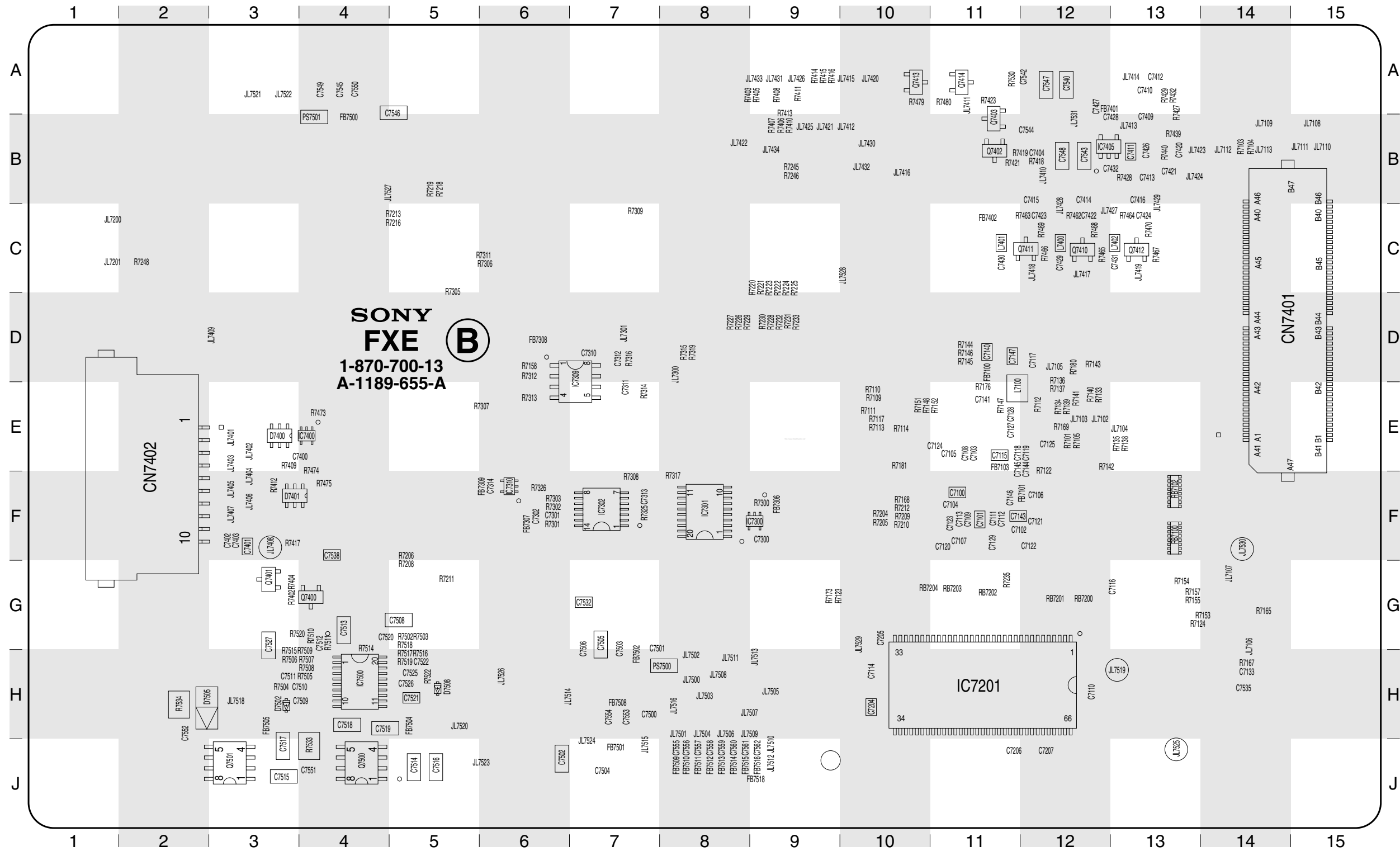
— FXE BOARD —

FXE BOARD (A)



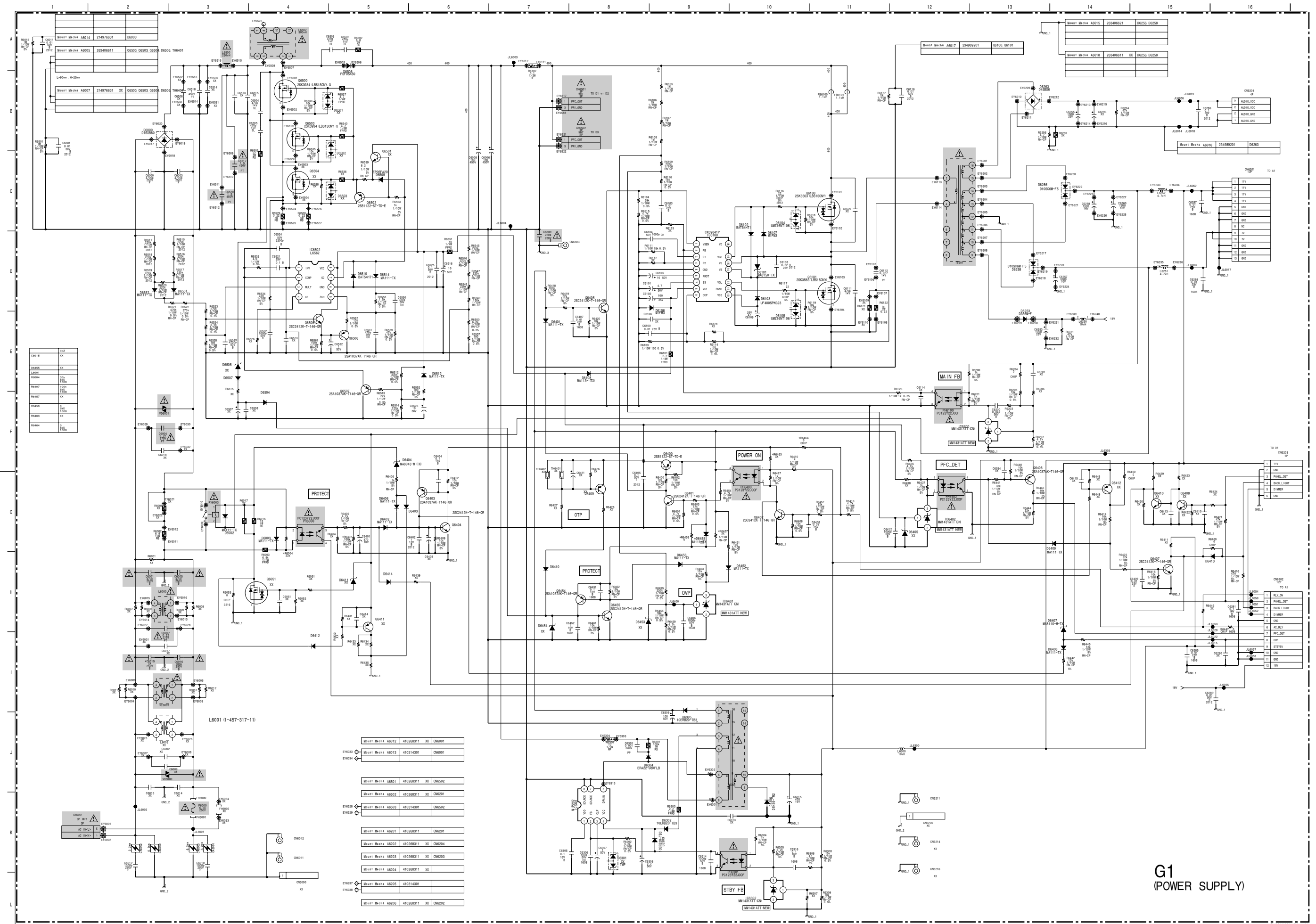
<COMPONENT SIDE>

FXE BOARD (B)



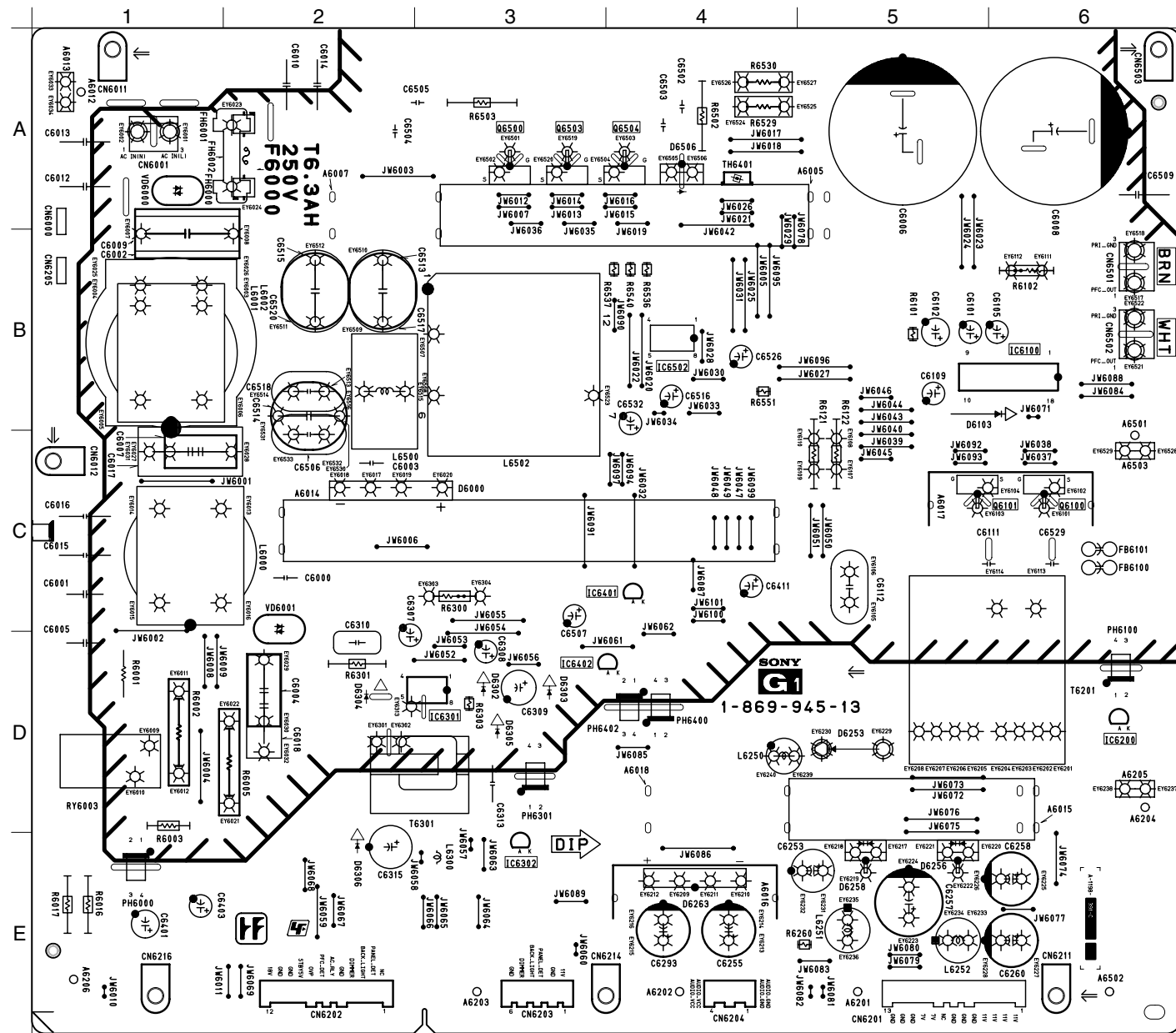
<CONDUCTOR SIDE>

(7) Schematic Diagram of G1 Board

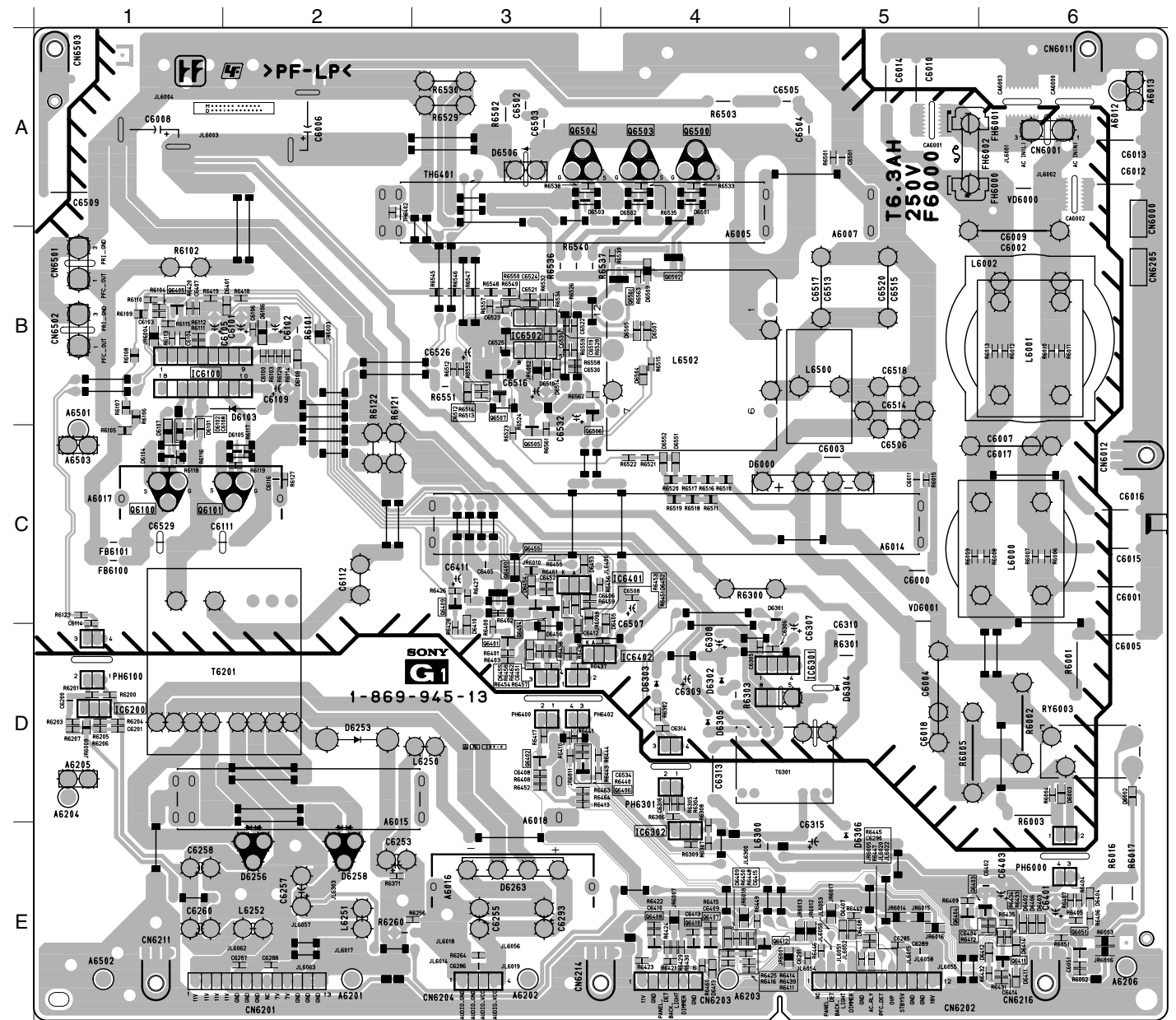


G1
(POWER SUPPLY)

— G1 BOARD —



<COMPONENT SIDE>



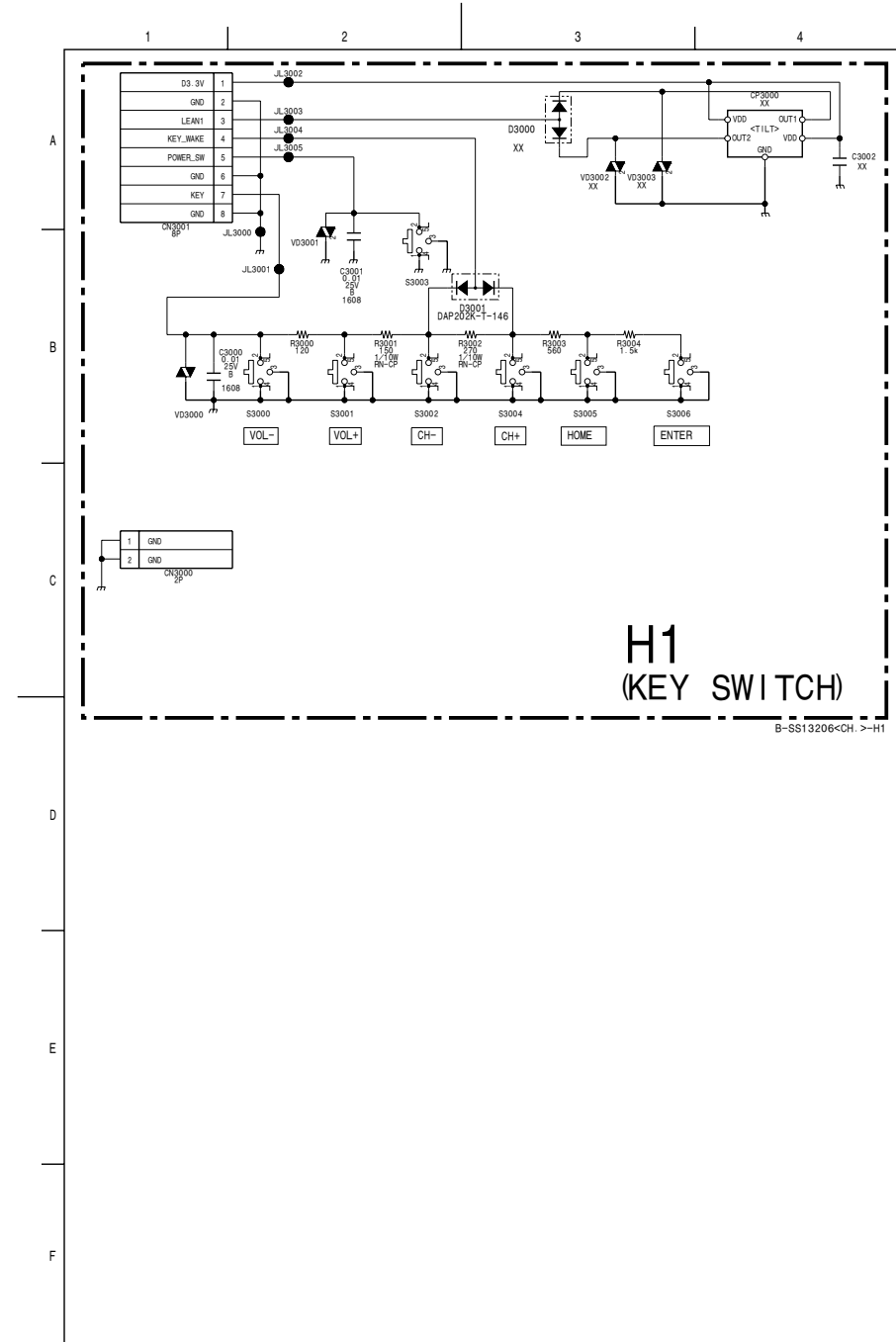
<CONDUCTOR SIDE>

• G1 BOARD SEMICONDUCTOR LOCATION

IC (Component Side) (Conductor Side)	TRANSISTOR		Q6404 *	E-5	Q6455 *	C-3	DIODE		D6105 *	C-2	D6303	D-3	D6407 *	E-5	D6454 *	C-3	D6509 *	B-4
	(Component Side)	(Conductor Side) *					(Component Side)	(Conductor Side) *										
IC6100	B-6	Q6051 *	E-6	Q6405 *	B-1	Q6500 *	A-3	D6106 *	B-2	D6304	D-2	D6408 *	E-5	D6455 *	D-3	D6510 *	B-3	
IC6200	D-6	Q6100	C-6	Q6406 *	D-3	Q6501 *	B-4	D6107 *	C-1	D6305	D-3	D6409 *	E-4	D6456 *	D-3	D6512 *	B-3	
IC6301	D-3	Q6101	C-5	Q6407 *	E-4	Q6502 *	B-4	D6108 *	B-2	D6306	E-2	D6410 *	D-3	D6501 *	A-4	D6514 *	B-3	
IC6302	E-3	Q6400 *	C-3	Q6408 *	E-4	Q6503 *	A-3	D6253	D-5	D6401 *	B-2	D6411 *	E-6	D6502 *	A-4	D6515 *	C-4	
IC6401	C-4	Q6401 *	D-3	Q6409 *	C-3	Q6504 *	A-4	D6256	E-5	D6402 *	E-6	D6412 *	E-6	D6503 *	A-3	D6516 *	C-4	
IC6402	D-3	Q6402 *	D-3	Q6410 *	E-4	Q6505 *	C-3	D6258	E-5	D6403 *	E-6	D6413 *	E-4	D6504 *	B-4	D6517 *	C-4	
IC6502	B-4	Q6403 *	E-6	Q6411 *	E-6	Q6506 *	B-3	D6263	E-4	D6404 *	E-6	D6414 *	E-6	D6505 *	B-4	D6518 *	C-4	
				Q6412 *	E-4	Q6507 *	B-3	D6301 *	C-4	D6405 *	D-4	D6415 *	C-3	D6506 *	A-4	D6519 *	C-4	
				Q6454 *	C-3			D6302	D-3	D6406 *	E-6	D6416 *	C-3	D6507 *	B-4			

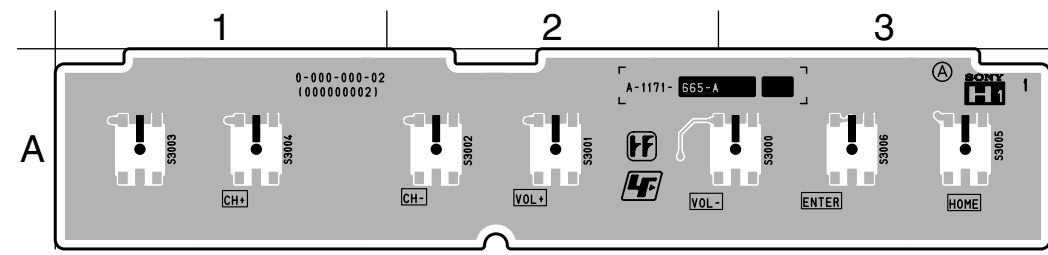
*: Refer to Terminal name of semiconductors in silk screen printed circuit (see page 2-4)

(8) Schematic Diagram of H1 Board

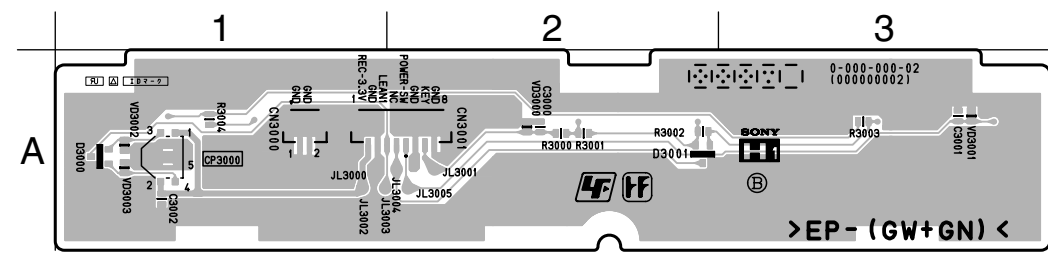


H1 [KEY SWITCH]

—H1 BOARD—



<COMPONENT SIDE>



<CONDUCTOR SIDE>

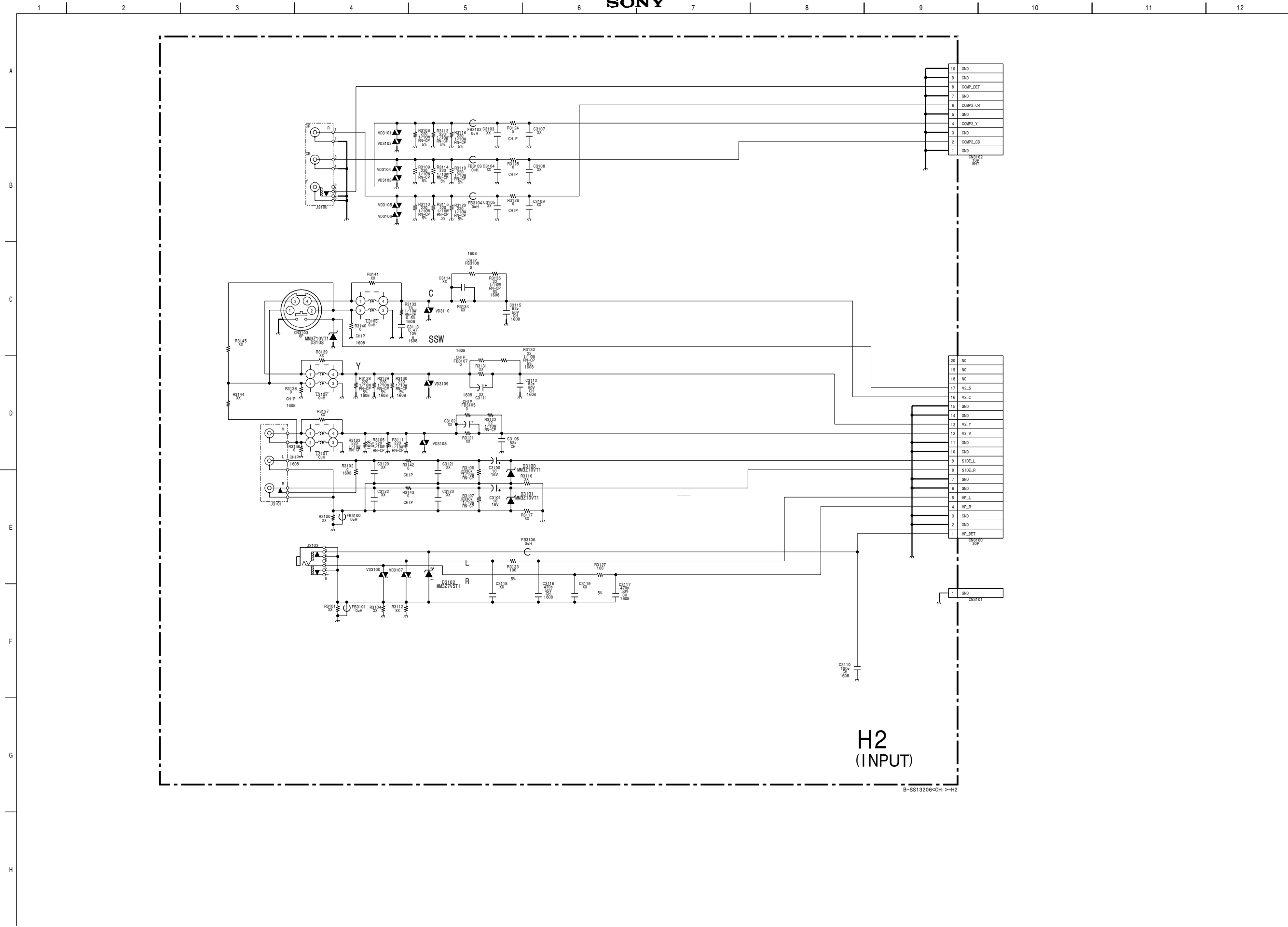
• H1 BOARD SEMICONDUCTOR LOCATION

Ref.	*
D3001	①

*: Refer to Terminal name of semiconductors in silk screen printed circuit (see page 2-4)

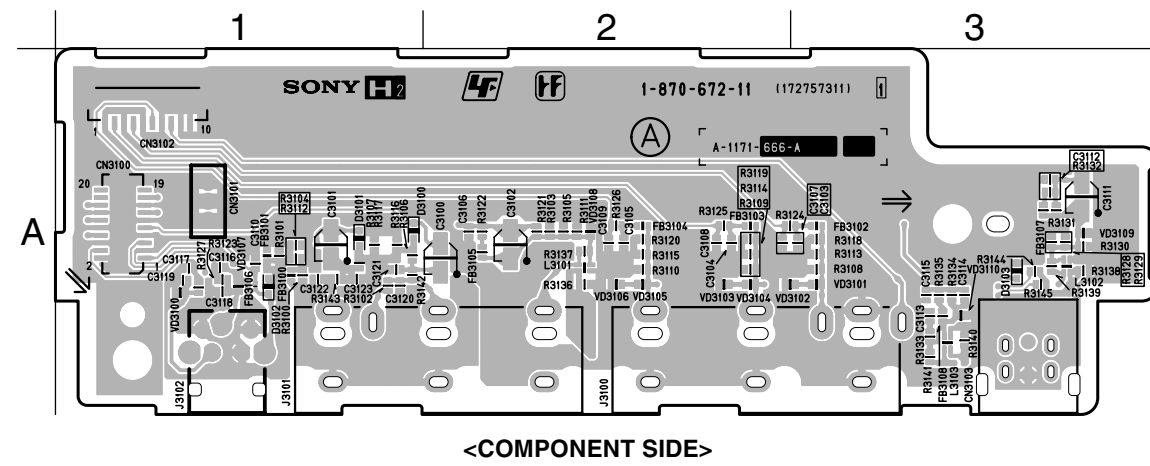
(9) Schematic Diagram of H2 Board

SONY

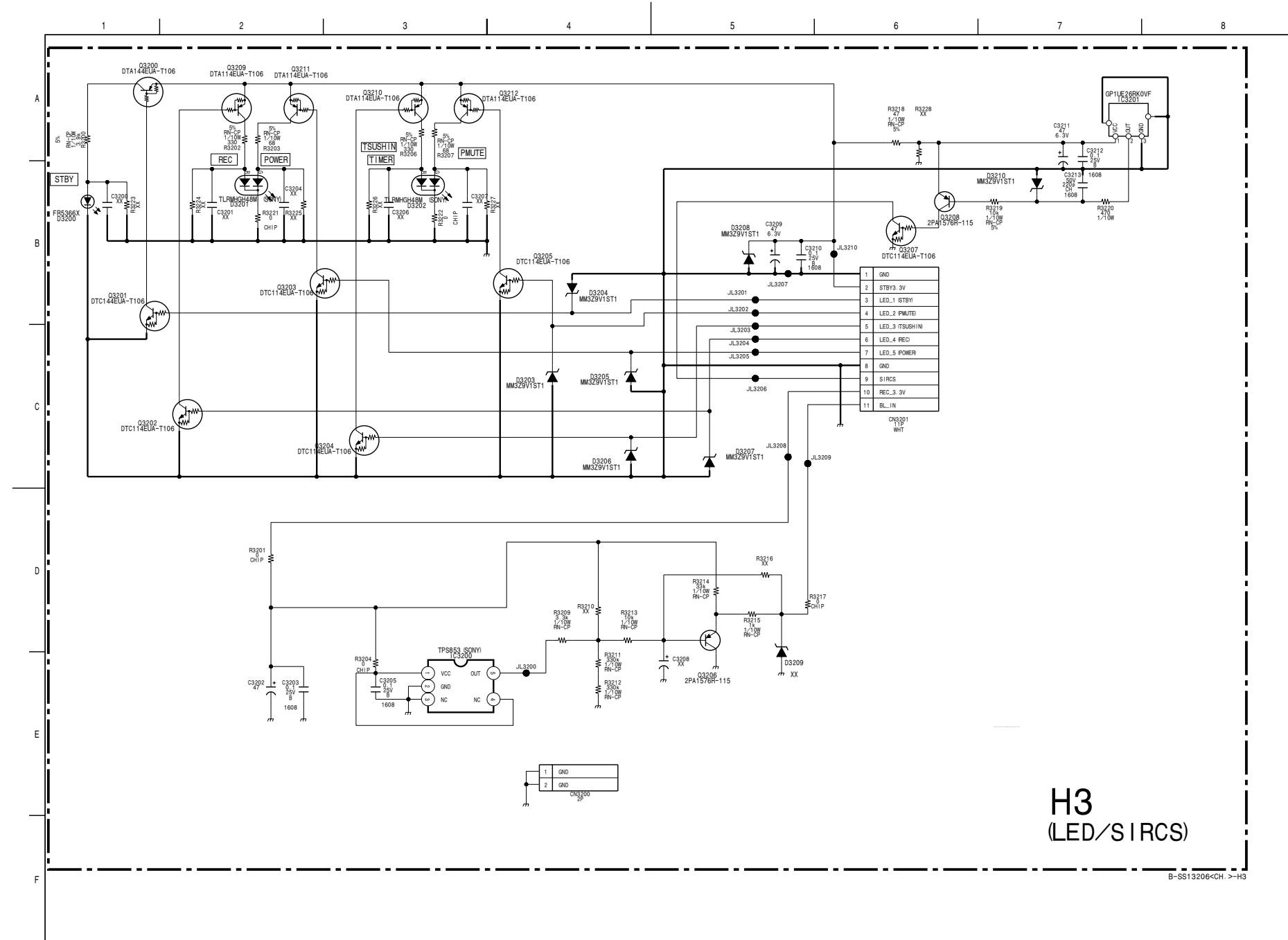


H2 [INPUT]

—H2 BOARD—



(10) Schematic Diagram of H3 Board

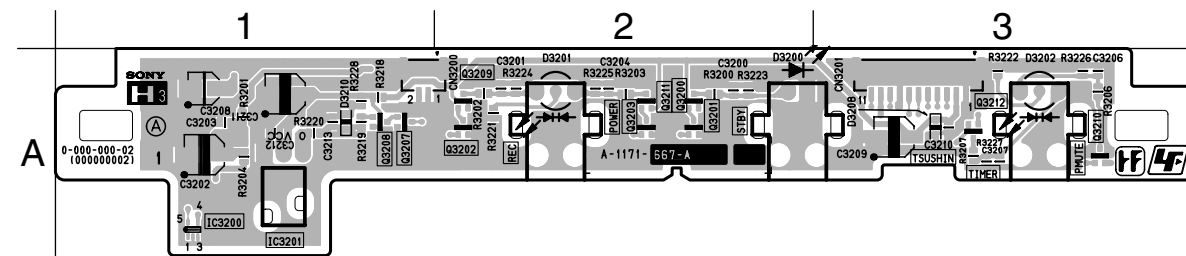


H3
(LED/SIRCS)

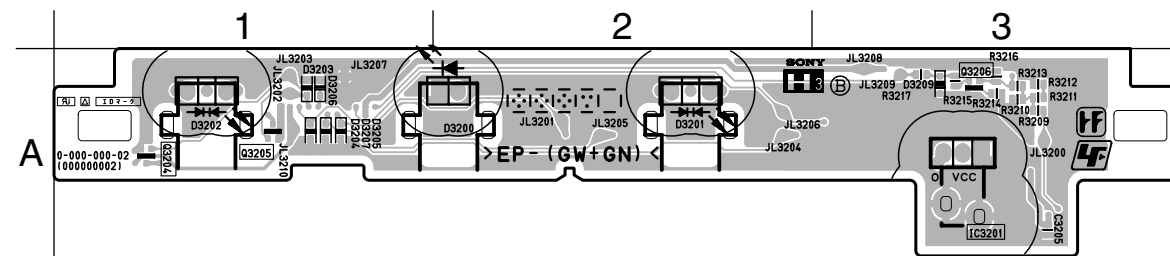
B-S513206<CH. >-H3

H3 [LED/SIRCS]

—H3 BOARD—



<COMPONENT SIDE>



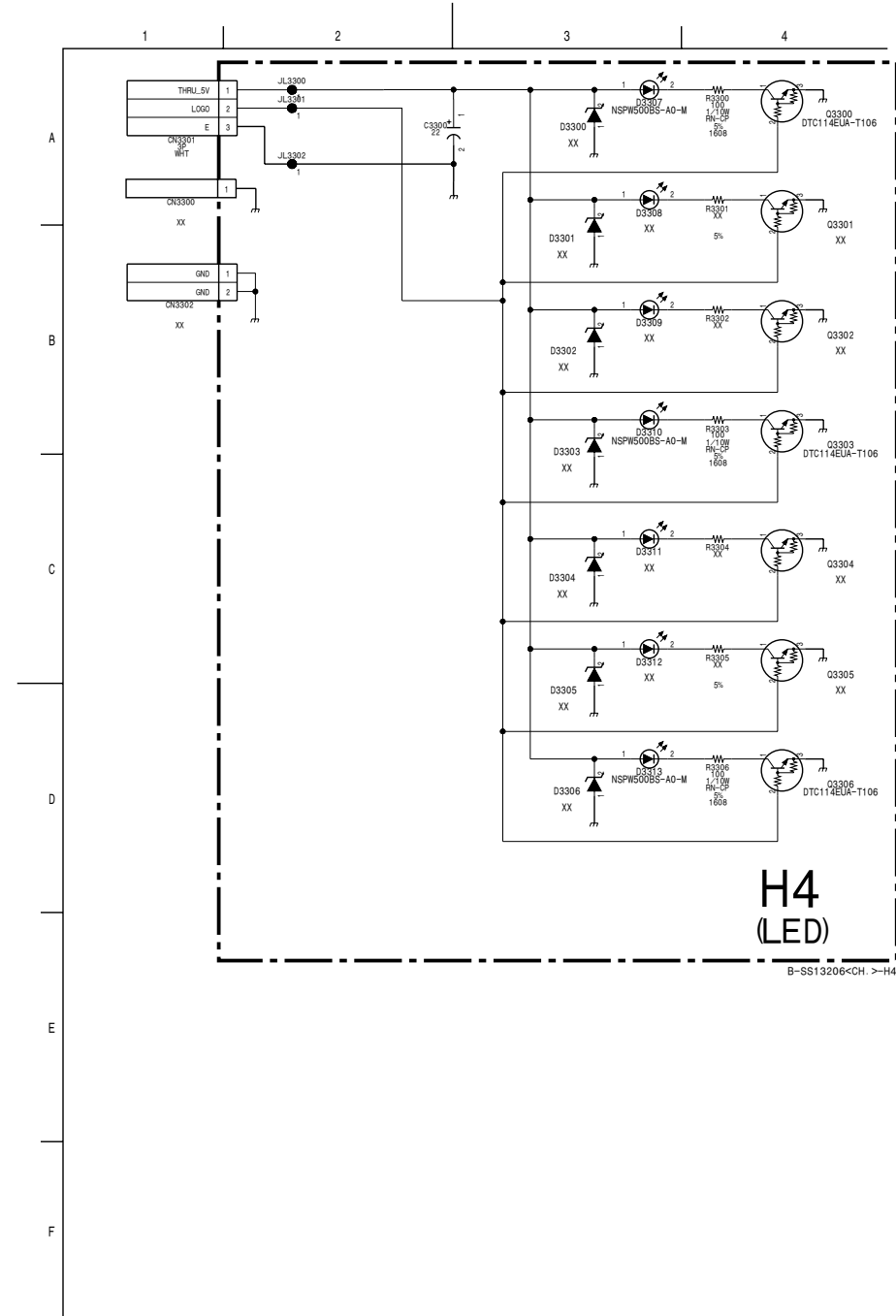
<CONDUCTOR SIDE>

• H3 BOARD SEMICONDUCTOR LOCATION

Ref.	*
Q3200-Q3212	②
D3203-D3208, D3210	③

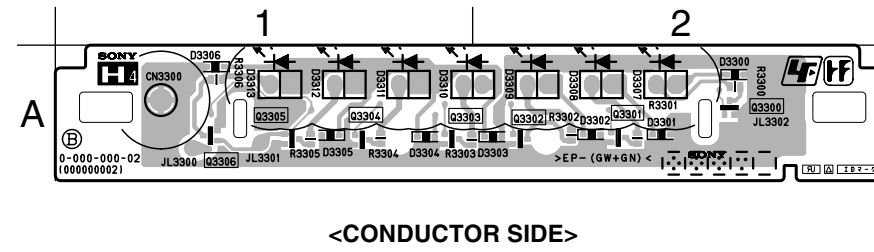
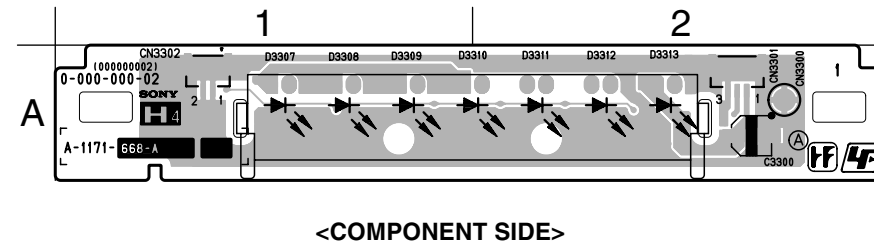
*: Refer to Terminal name of semiconductors in silk screen printed circuit (see page 2-4)

(11) Schematic Diagram of H4 Board



H4 [LED]

—H4 BOARD—

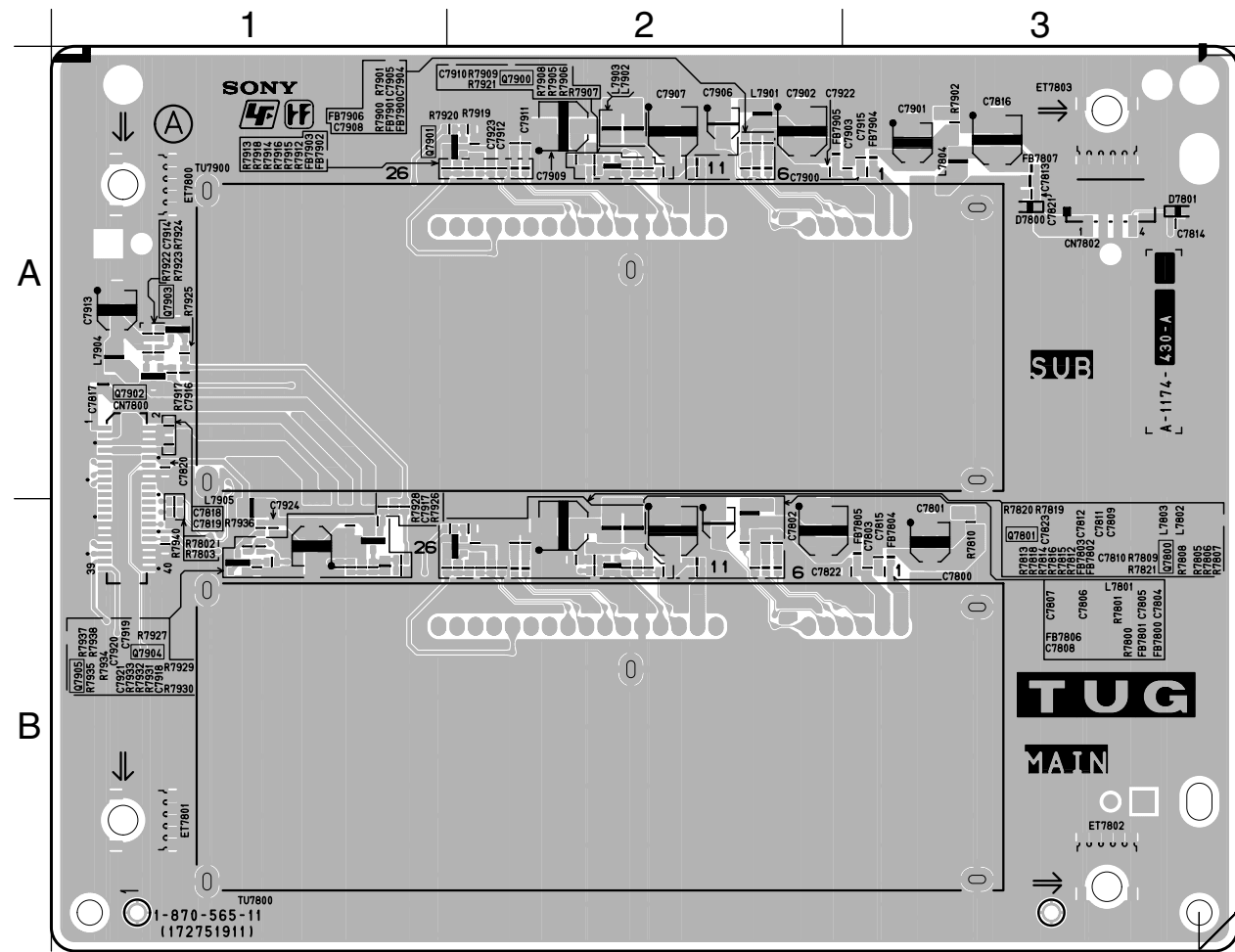


• H4 BOARD SEMICONDUCTOR LOCATION

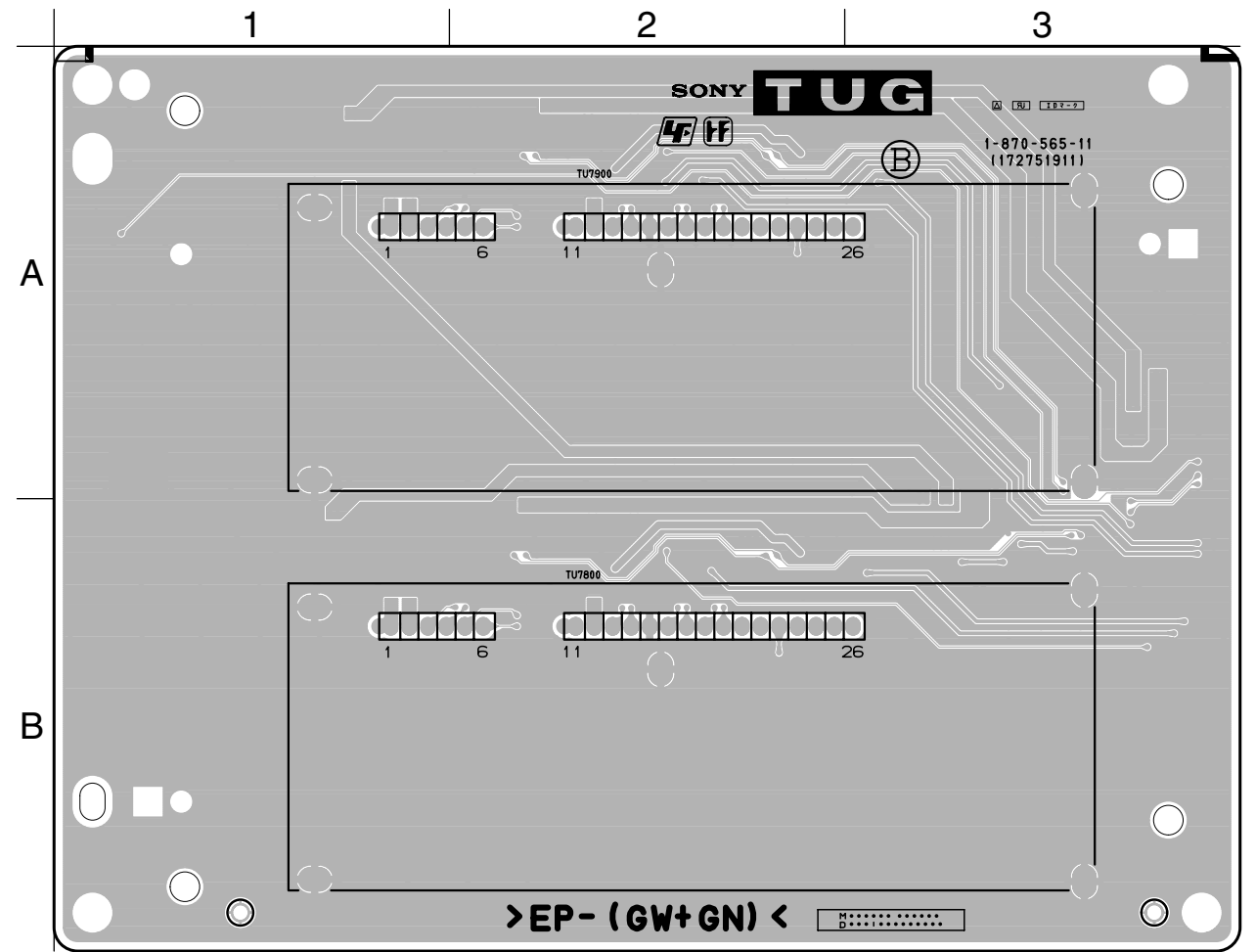
Ref.	*
Q3300, Q3303, Q3306	②
D3307, D3310, D3313	-

*: Refer to Terminal name of semiconductors in silk screen printed circuit (see page 2-4)

— TUG BOARD —



<COMPONENT SIDE>



<CONDUCTOR SIDE>

• TUG BOARD SEMICONDUCTOR LOCATION

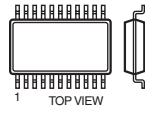
TRANSISTOR		DIODE	
(Component Side)	(Conductor Side) *	(Component Side)	(Conductor Side) *
Q7800	B-2	D7800	A-3
Q7801	B-2	D7801	A-3
Q7900	A-2		
Q7901	A-2		
Q7902	A-1		
Q7903	A-1		
Q7904	B-1		
Q7905	B-1		

*: Refer to Terminal name of semiconductors in silk screen printed circuit (see page 2-4)

2-5. SEMICONDUCTORS

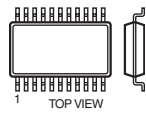
IC

ADA4861-3YRZ-RL7
SN74CBT3125PWR
SN74LV125APWR
SN74LV4066APWR
TLC2933AIPWR



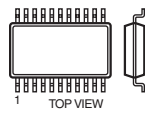
14Pin SOP

BA10339F-E2
BA10393F-E2
ICS7150MLFT
LMH6658MMX/J5000172
M24128-BWMN6T(A)
M24C02-WMN6T(B)
MIP2H2
NJM2903M
NJM2903M-TE2
NJM2903V(TE2)
NJM3414AV(TE2)
NJM4558V-TE2
PCA9517DP.118
S-35390A-J8T1G
SN74LVC2G53DCUR
TC7WH34FU(TE12R)
TC7WZ08FK(TE85R)
TL431CPK-E2
TMP75AIDR



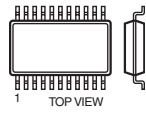
8Pin SOP

BD9851EFV-E2



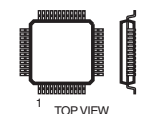
20Pin SOP

BD9890F-E2



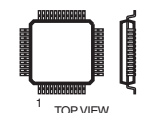
28Pin SOP

CXA2188Q-T4



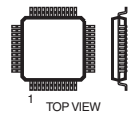
40Pin QFP

CXA2239AR-TL
CXA2239R-TL
MB90F334APMC-G-9009E1



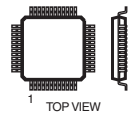
120Pin QFP

CXB1441R-T4



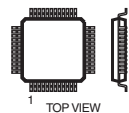
48Pin QFP

CXD2097BQ-1



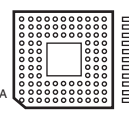
208Pin QFP

CXD3814GB
CXD3814GB-TL



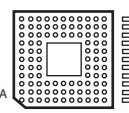
332Pin QFP

CXD4709GB



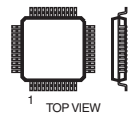
648Pin PGA

CXD9816AGG



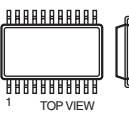
388Pin PGA

CXD9826R



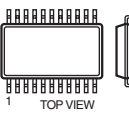
64Pin QFP

CY22392ZXC-380T
SN74LV4053APWR



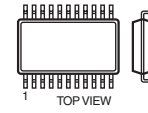
16Pin SOP

EDD1216AATA-6B-E
EDS6416AHTA-75-E
MT48LC4M16A2P-75:G



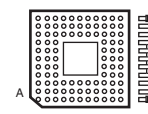
54Pin SOP

EDS1616AGTA-75-E
IS42S16100C1-7TL-TR
MSM56V16160F-8T3FM1



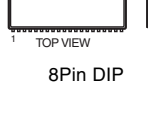
50Pin SOP

EM6A9320BI-5MG



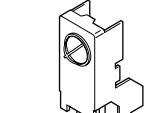
144Pin PGA

E-L6562N



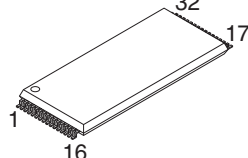
8Pin DIP

GP1UE26RK0VF



32Pin SOP

HY27US08281A-TPCB



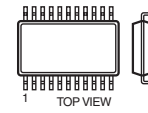
32Pin DIP

K9F2808U0C-PCB0T



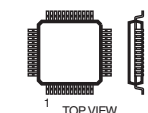
48Pin SOJ

MB39A116PFT-G-BND-ERE1



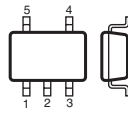
30Pin SOP

MB91305PMC-G-BNDE1



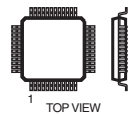
176Pin QFP

MM1431ATT (CN)
MM3123DPLE
PST3629UL
S-1132B18-M5T1G
SN74LVC1G00DCKR
SN74LVC1G125DCKR
TC7SA00FU(TE85R)
TC7SZU04FU(TE85R)



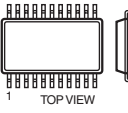
80Pin QFP

MSP4411K-QA-D6-401T



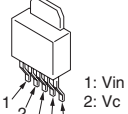
80Pin QFP

M5M51008DFP-70H
M61571AFP-DF0T



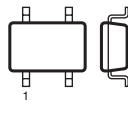
32Pin SOP

PQ070XNA1ZPH
PQ200WNA1ZPH



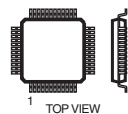
1: Vin
2: Vc
3: Vo
4: adj
5: GND

PST3620UL
PST3641UL



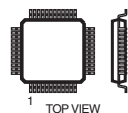
48Pin SOJ

SAA7115AHL/V1



100Pin QFP

SI9011CTU
THC63LVD1023



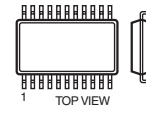
144Pin QFP

SN74AHCT244PWR



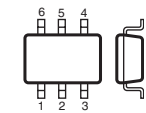
20Pin DIP

S29AL008D70TFI010-2000
S29JL032H70TFI010-FIX-BE101
SN74LVC16244ADGGR



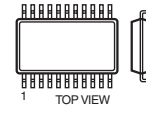
48Pin SOP

TC7PA34FU(TE85R)
TK11819MTL



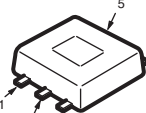
10Pin SOP

TPS51100DGQR

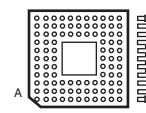


10Pin SOP

TPS853(SONY)



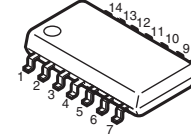
UPD61123F1-100-KA3-A



345Pin PGA

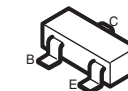
TRANSISTOR

IRF7335D1-TR

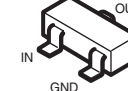


DTA114EUA-T106
DTA114TUA-T106
DTA144EUA-T106
DTC114EKA-T146
DTC114EU
DTC114EUAFT106
DTC114EUA-T106
DTC114YUA-T106
DTC144EUA-T106
MUN2111T1
MUN2211T1
MUN2213T1
RT1N141M-TP-1
RT1N144M-TP-1
UN2111
UN2211
UN2213

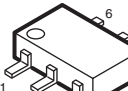
2PA1576R-115
2PC4081R-115
2SA1037AK-T146-QR
2SA1037AK-T146-R
2SA1235-F
2SA1235TP-1EF
2SA1576A-T106-QR
2SA1576A-T106-R
2SA1602-F
2SA1602TP-1EF
2SB624-BV5
2SB624-T1BV5
2SC1623-L5L6
2SC2412K-T-146-QR
2SC3052EF-T1-LEF
2SC3624A-T1L15L16
2SC4081-R
2SC4081T106R
2SC4154-F
2SC4154TP-1EF
2SC4178-F13F14-T1
2SC4178-F14
2SC4617R
2SC4617TL-QR
2SD596-DV5
2SD596-T1DV5



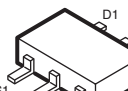
DTC123JUA-T106



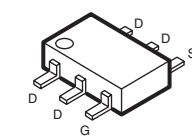
HN1B01FU-TE85R



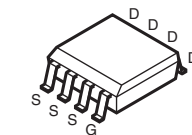
SSM6N16FU



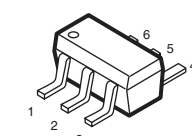
RSQ035P03TR



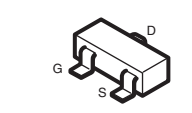
RSS040P03FD5TB



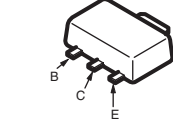
RT1N141C-TP-1



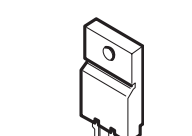
SI2301BDS-T1
2SK1589-L-T1B
2SK1828
2SK1828TE85L
2SK2036(TE85L)



2SB1122-S
2SB1122-ST-TD-E
2SD1621ST-TD-E



2SK3563(LBS1SONY.Q)
2SK3797(LBS1SONY.Q)
2SK3934(LBS1SONY.Q)

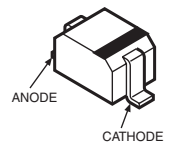


D3S6M-F
S3L60F

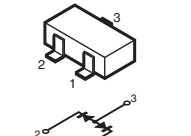


DIODE

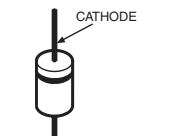
BAT54HT1
DTZ10B
DTZ5.1B
MA111-TX
MA113-(TX)
MA151WK-TX



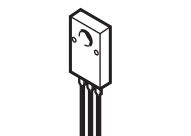
DAP202K
DAP202K-T-146
M1MA152WA-T1



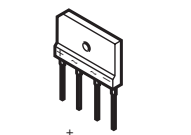
D1NS6-TR2
UF4005/23
10ERB20-TB3



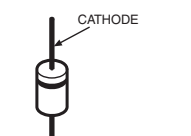
D10SC6M-F5



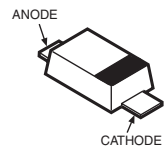
D15XB60
D4SBS6



D3S6M-F
S3L60F



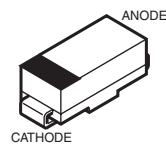
D1FM3
M1FM3
MA8043-M(TX)
MA8051-TX
RB501V-40TE-17
RB520S-30TE61
UDZSTE-1711B
UDZSTE-1715B
UDZSTE-173.6B
UDZSTE-174.3B
UDZSTE-175.1B
UDZ-TE-17-4.3B
UDZ-TE-17-6.2B



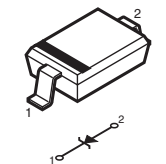
D5L60



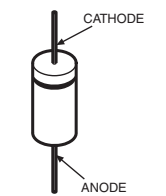
EC31QS03L-TE12L
P6SMBJ30A-5
PTZ-TE25-3.9B
PTZ-TE25-6.2A
RSX201L-30TE25
1SMA5915BT3G
1SMA5920BT3G



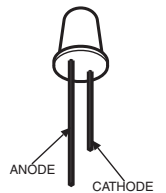
EP05FA20
MM3Z10VT1
MM3Z15VT1
MM3Z4V3ST1
MM3Z5V1ST1
MM3Z6V2ST1
MM3Z7V5T1
MM3Z9V1ST1



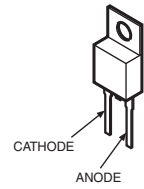
ERA22-08KFLB



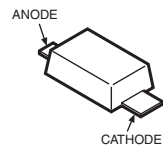
FR5366X



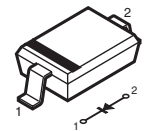
FSF05A60



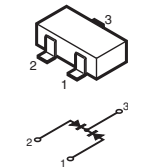
MA8056-TX
MA8062-TX
MA8100-TX
MA8100-TX
MA8110-M-TX
MA8130
MA8150-TX



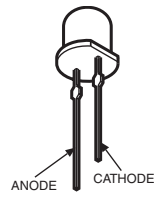
MMDL914T1



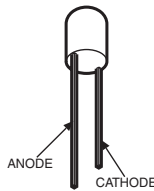
M1MA152WK-T1
1SS184



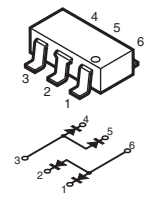
NSPW500BS-A0-M



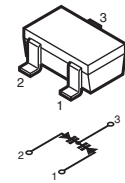
TLRMHGH48M (SONY)



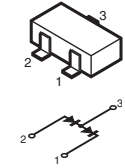
UMZ16NT106



1PS184-115

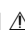



1PS226-115
1SS226-TE85L



SECTION 3 EXPLODED VIEWS

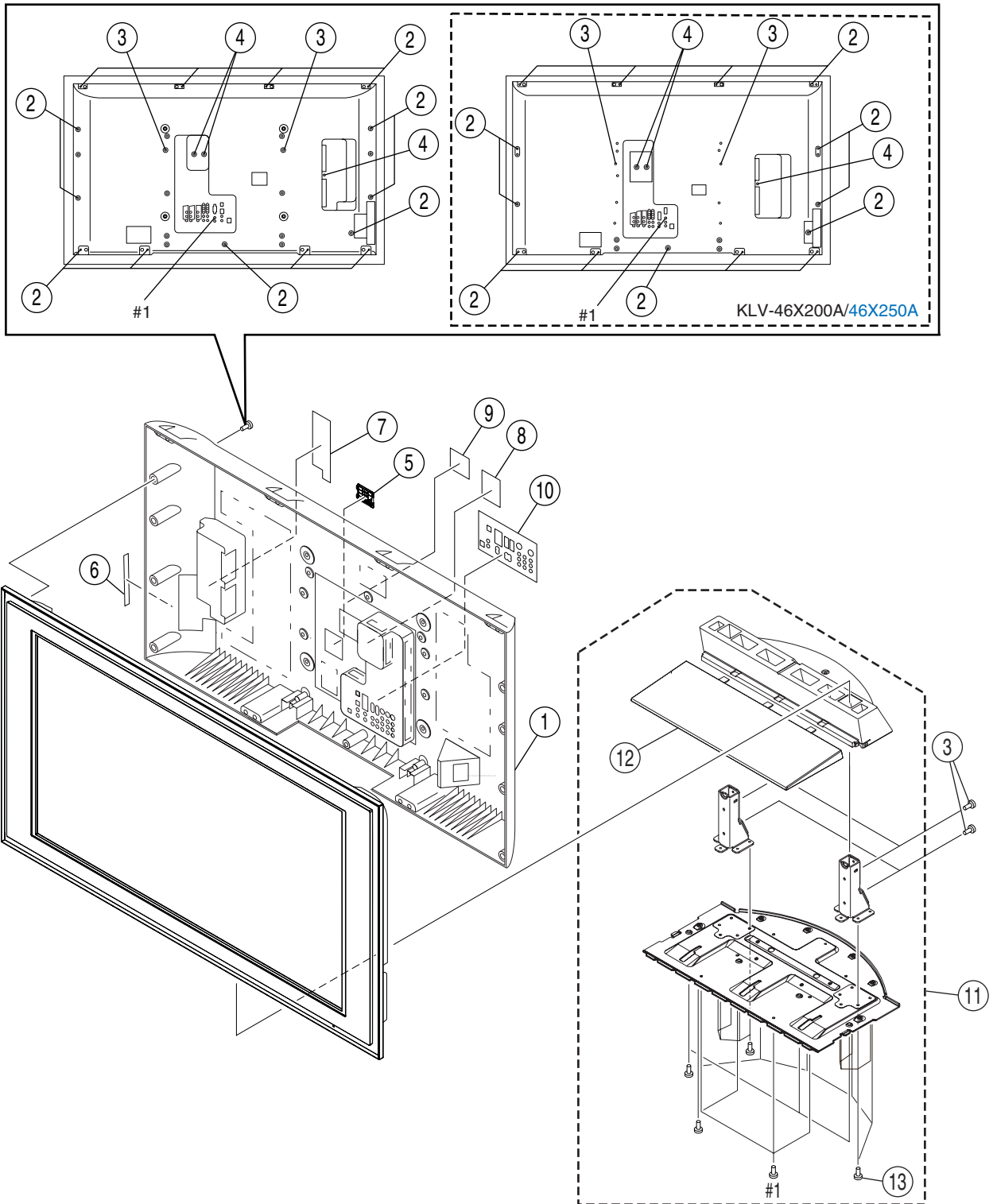
NOTE:

The components identified  marked are critical for safety.
Replace only with the part number specified.

Note: The components identified by mark  contain confidential information.
Strictly follow the instructions whenever the components are repaired and/or replaced.

- Items with no part number and no description are not stocked because they are seldom required for routine service.
- The construction parts of an assembled part are indicated with a collation number in the remark column.
- Items marked " * " are not stocked since they are seldom required for routine service. Some delay should be anticipated when ordering these items.

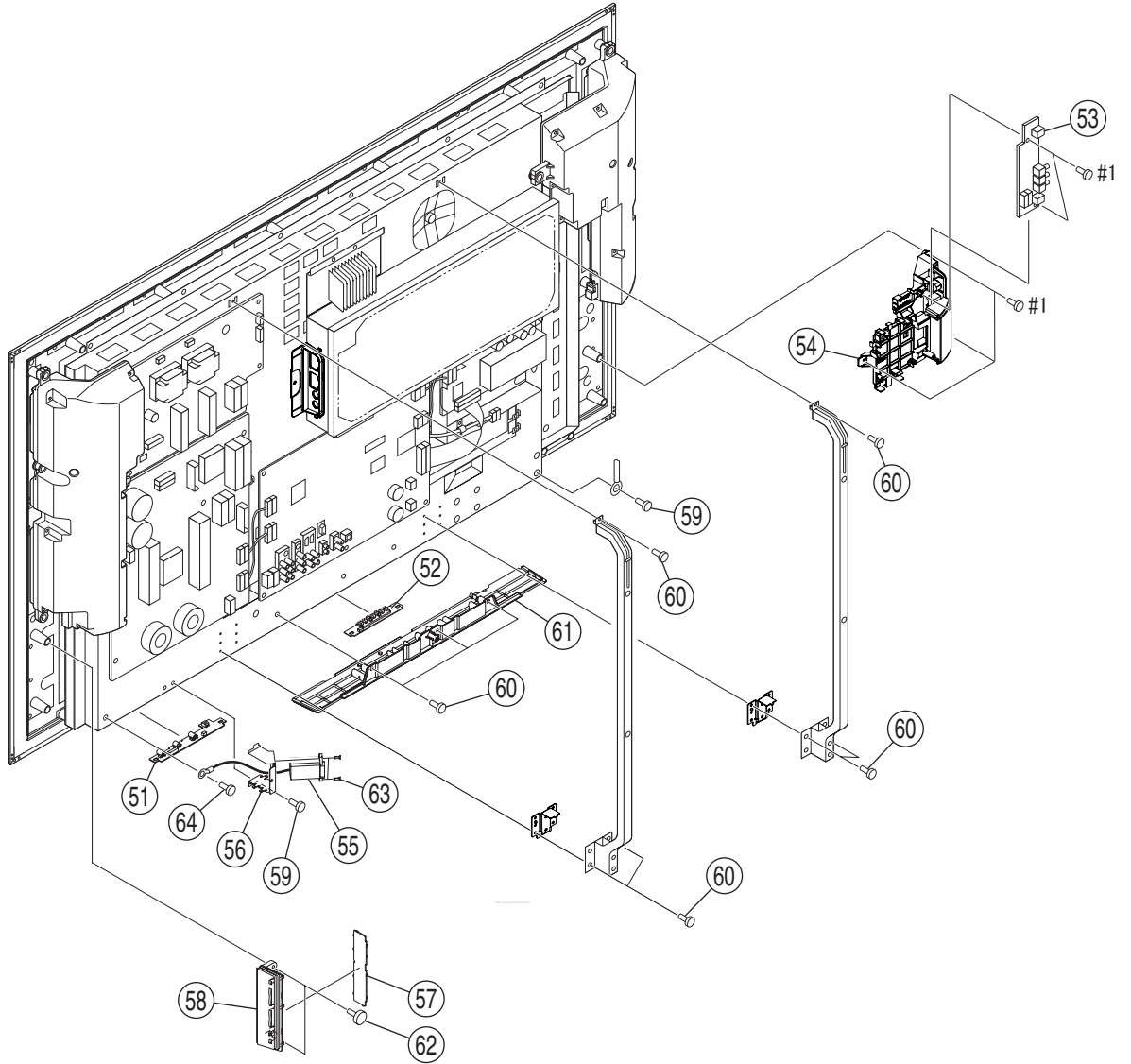
3-1. REAR CABINET AND STAND ASSY



REF. No.	PART No.	DESCRIPTION	MARK
1	X-2109-241-1	REAR CABINET ASSY (40) (KLV-40X200A/40X250A)	
	X-2109-312-2	REAR CABINET ASSY (46) (KLV-46X200A/46X250A)	
2	2-580-640-01	SCREW, +BVTP2 4X16	
3	2-580-607-01	SCREW, +PSW M5X12	
4	2-580-637-01	SCREW, +BVST 4X12	
5	2-673-535-11	SERVICE COVER	
6	2-683-758-21	LABEL, SIDE TERMINAL	
7	2-683-759-41	LABEL, DTT	
8	2-683-760-21	LABEL, HDMI	
9	2-697-706-11	LABEL, INFORMATION (KLV-40X200A)	

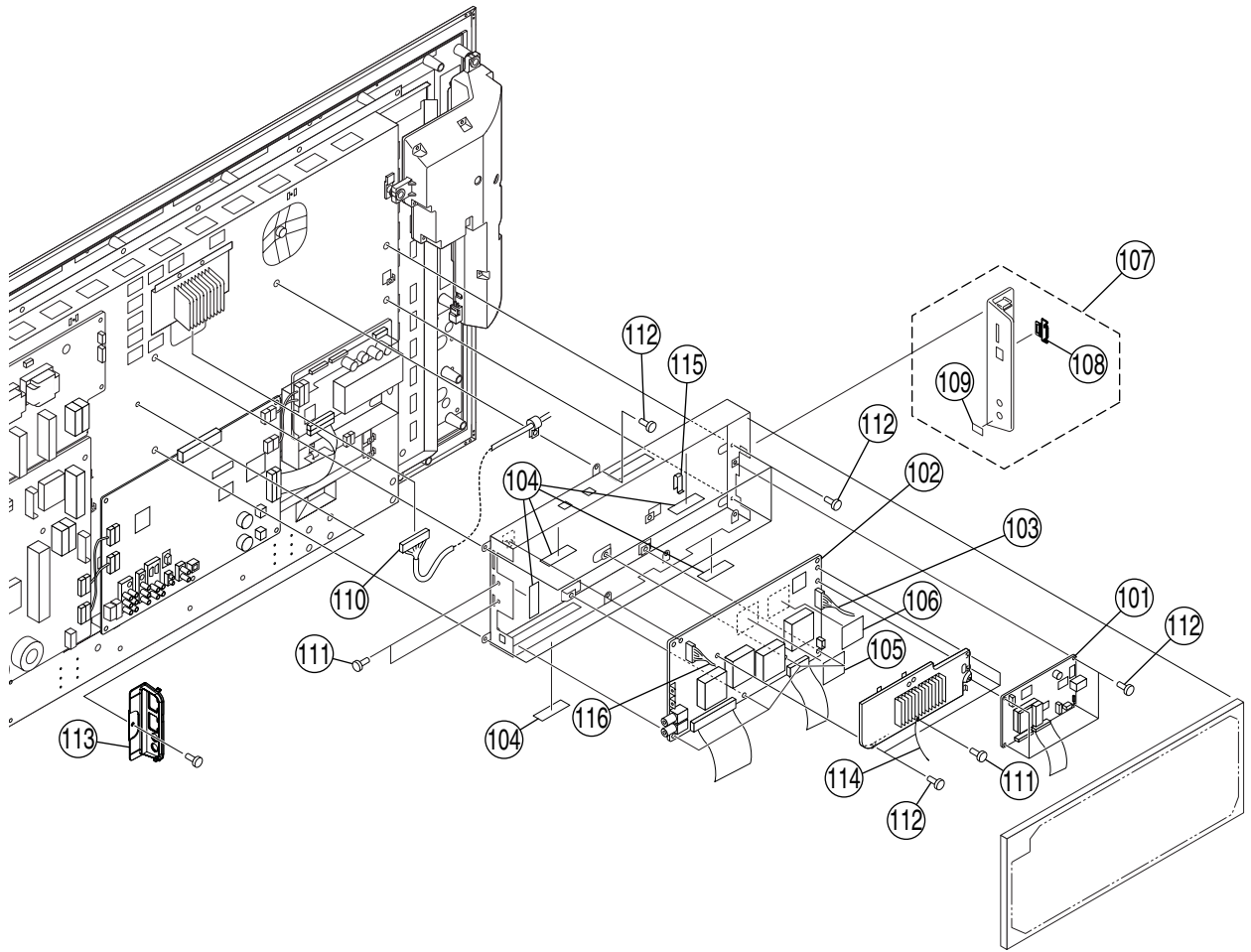
REF. No.	PART No.	DESCRIPTION	MARK
	2-697-706-01	LABEL, INFORMATION (KLV-46X200A)	
	3-093-341-11	LABEL, INFORMATION (KLV-40X250A)	
	3-093-341-01	LABEL, INFORMATION (KLV-46X250A)	
10	2-890-542-21	LABEL, REAR TERMINAL	
11	X-2109-309-2	BASE STAND ASSY (SILVER)	12,13
	X-2148-726-1	BASE STAND ASSY (BLACK)	
12	2-673-578-02	COVER, STAND (SILVER)	
13	2-580-606-01	SCREW, +PSW M5X8	
#1	7-685-648-79	SCREW +BVTP 3X12 TYPE2 IT-3	


3-2. ARM AND UNDER COVER





REF. No.	PART No.	DESCRIPTION	MARK	REF. No.	PART No.	DESCRIPTION	MARK
51	A-1171-667-A	H3 MOUNT		61	X-2149-441-1	UNDER COVER ASSY	
52	A-1171-668-A	H4 MOUNT		62	2-580-640-01	SCREW, +BVTP2 4X16	
53	A-1171-666-A	H2 MOUNT		63	2-596-649-01	+KTT 3X10 (S TYPE)	
54	X-2149-062-1	SIDE TERMINAL ASSY		64	2-580-599-01	SCREW, +PSW M4X6	
55	△ 1-820-563-11	INLET, AC (WITH NOISE FILTER)		#1	7-685-648-79	SCREW +BVTP 3X12 TYPE2 IT-3	
56	2-673-549-01	AC INLET BRACKET					
57	A-1171-665-A	H1 MOUNT					
58	X-2148-928-1	CONTROL BUTTON ASSY					
59	2-580-629-01	SCREW, +BVST 3X8					
60	2-580-637-01	SCREW, +BVST 4X12					

3-3. CHASSIS-1

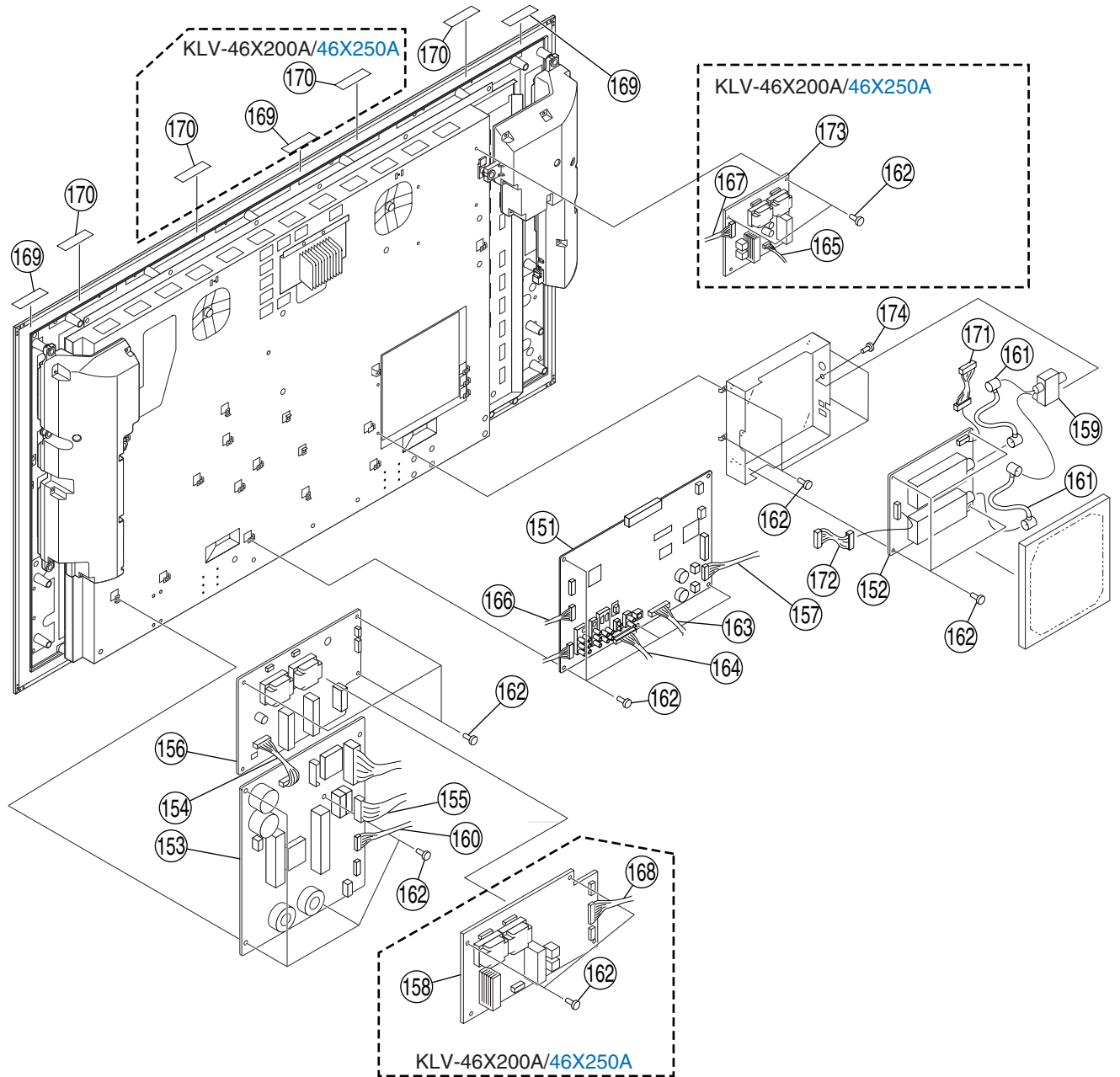


Note: The components identified by mark  contain confidential information. Strictly follow the instructions whenever the components are repaired and/or replaced.

REF. No.	PART No.	DESCRIPTION	MARK
101	A-1219-681-A	FXE COMPL	
102	 A-1215-296-A	B2 COMPL (KLV-40X200A/40X250A)	
	 A-1215-295-A	B2 COMPL (KLV-46X200A/46X250A)	
103	1-910-029-21	PA CONNECTOR ASSY 4P	
104	* 4-093-259-01	TAPE, EARTH	
105	* 4-097-803-61	SHEET, RADIATION	
106	2-586-175-01	SHEET B, RADIATION	
107	X-2148-932-1	DTT HOLDER ASSY	108, 109
108	2-689-737-01	COVER, MS	
109	4-658-789-02	TAPE (HARNESS)	
110	1-832-957-11	LEAD WIRE WITH CONNECTOR (LVDS) (KLV-40X200A/40X250A)	
	* 1-832-957-21	LEAD WIRE WITH CONNECTOR (LVDS) (KLV-46X200A/46X250A)	

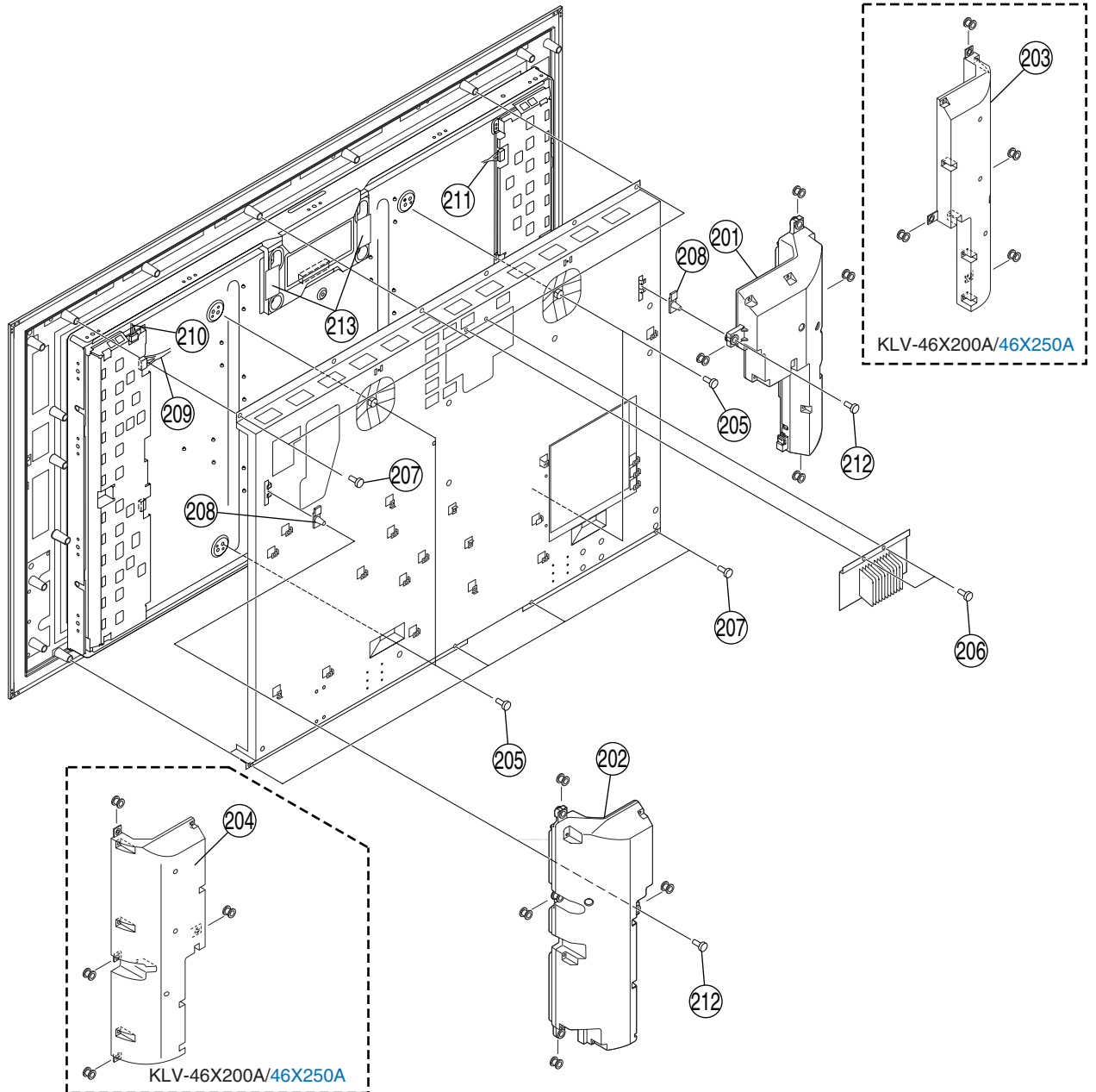
REF. No.	PART No.	DESCRIPTION	MARK
111	2-580-591-01	SCREW, +PSW M3X5	
112	2-580-629-01	SCREW, +BVST 3X8	
113	2-673-537-01	HOLDER, HDMI TERMINAL	
114	1-910-031-69	LUG CONNECTOR ASSY	
115	2-650-770-21	SLIDE, CLAMP	
116	1-910-026-00	XA CONNECTOR ASSY (B) 13P	

3-4. CHASSIS-2



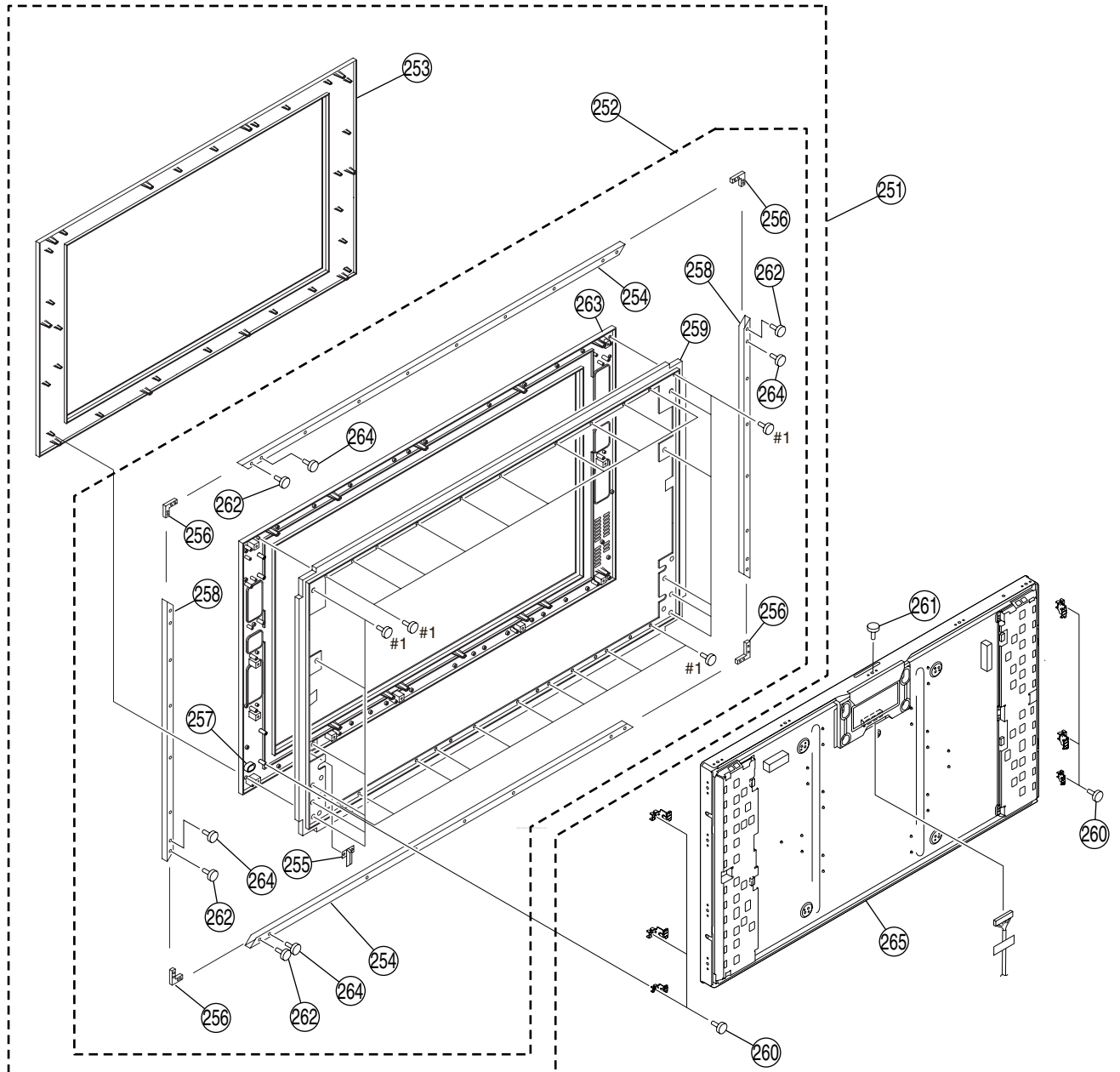
REF. No.	PART No.	DESCRIPTION	MARK	REF. No.	PART No.	DESCRIPTION	MARK
151	A-1226-283-A	AG MOUNT		1-910-032-86	SHLDP CONNECTOR ASSY 20P (KLV-46X200A/46X250A)		
152	A-1174-430-A	TUG MOUNT		164	1-832-967-12	HARNESS, WITH CONNECTOR (RGB)	
153	A-1217-644-A	G1 COMPL		165	1-910-028-54	VH CONNECTOR ASSY (D3) 3P (KLV-46X200A/46X250A)	
154	1-910-026-07	VH CONNECTOR ASSY (D2) 3P		166	1-910-027-47	MO1189 CONNECTOR ASSY 20P (KLV-40X200A/40X250A)	
155	1-910-030-60	XA CONNECTOR ASSY (G1)		1-910-033-49	MO1189 CONNECTOR ASSY 20P (KLV-46X200A/46X250A)		
156	A-1197-882-B	D1 COMPL (KLV-40X200A/40X250A)		167	1-910-026-12	XA CONNECTOR ASSY (D3) 14P (KLV-46X200A/46X250A)	
157	1-910-032-40	VH CONNECTOR ASSY (SP) 4P (KLV-40X200A/40X250A)		168	1-910-026-08	XA CONNECTOR ASSY (D2) 6P (KLV-46X200A/46X250A)	
	1-910-032-41	VH CONNECTOR ASSY (SP) 4P (KLV-46X200A/46X250A)		169	* 4-093-259-01	TAPE, EARTH	
158	A-1196-378-B	D2 MOUNT (KLV-46X200A/46X250A)		170	4-090-795-01	GASKET IB	
159	1-251-658-41	SPLITTER RF		171	1-910-029-20	EH CONNECTOR ASSY 2P	
160	1-910-027-42	XA CONNECTOR ASSY (D1) 6P (KLV-40X200A/40X250A)		172	1-910-029-19	SHLDP CONNECTOR ASSY 40P	
	1-910-026-10	XA CONNECTOR ASSY (D3) 7P (KLV-46X200A/46X250A)		173	A-1196-379-B	D3 MOUNT (KLV-46X200A/46X250A)	
161	1-558-924-21	CABLE, PIN		174	2-580-591-01	SCREW, +PSW M3X5	
162	2-580-629-01	SCREW, +BVST 3X8					
163	1-910-029-16	SHLDP CONNECTOR ASSY 20P (KLV-40X200A/40X250A)					

3-5. CHASSIS BRACKET ASSY AND SPEAKER



REF. No.	PART No.	DESCRIPTION	MARK	REF. No.	PART No.	DESCRIPTION	MARK
201	1-826-477-11	LOUDSPEAKER (KLV-40X200A/40X250A)		206	2-580-629-01	SCREW, +BVST 3X8	
202	1-826-477-21	LOUDSPEAKER (KLV-40X200A/40X250A)		207	2-580-640-01	SCREW, +BVTP2 4X16	
203	1-826-476-11	LOUDSPEAKER (KLV-46X200A/46X250A)		208	2-673-542-01	SPEAKER BOX SUPPORTER	
204	1-826-476-21	LOUDSPEAKER (KLV-46X200A/46X250A)		209	1-910-026-09	BD CONNECTOR ASSY (BLK) 2P	
205	2-580-606-01	SCREW, +PSW M5X8		210	1-910-027-44	XA CONNECTOR ASSY (D1) 5P (KLV-40X200A/40X250A)	
				211	1-910-027-48	BD CONNECTOR ASSY (RED) 2P (KLV-40X200A/40X250A)	
					1-910-026-13	BD CONNECTOR ASSY (WHT) 2P (KLV-46X200A/46X250A)	
				212	2-580-654-01	SCREW, +PWPT2 4X16	
				213	* 4-091-098-02	GASKET (F)	

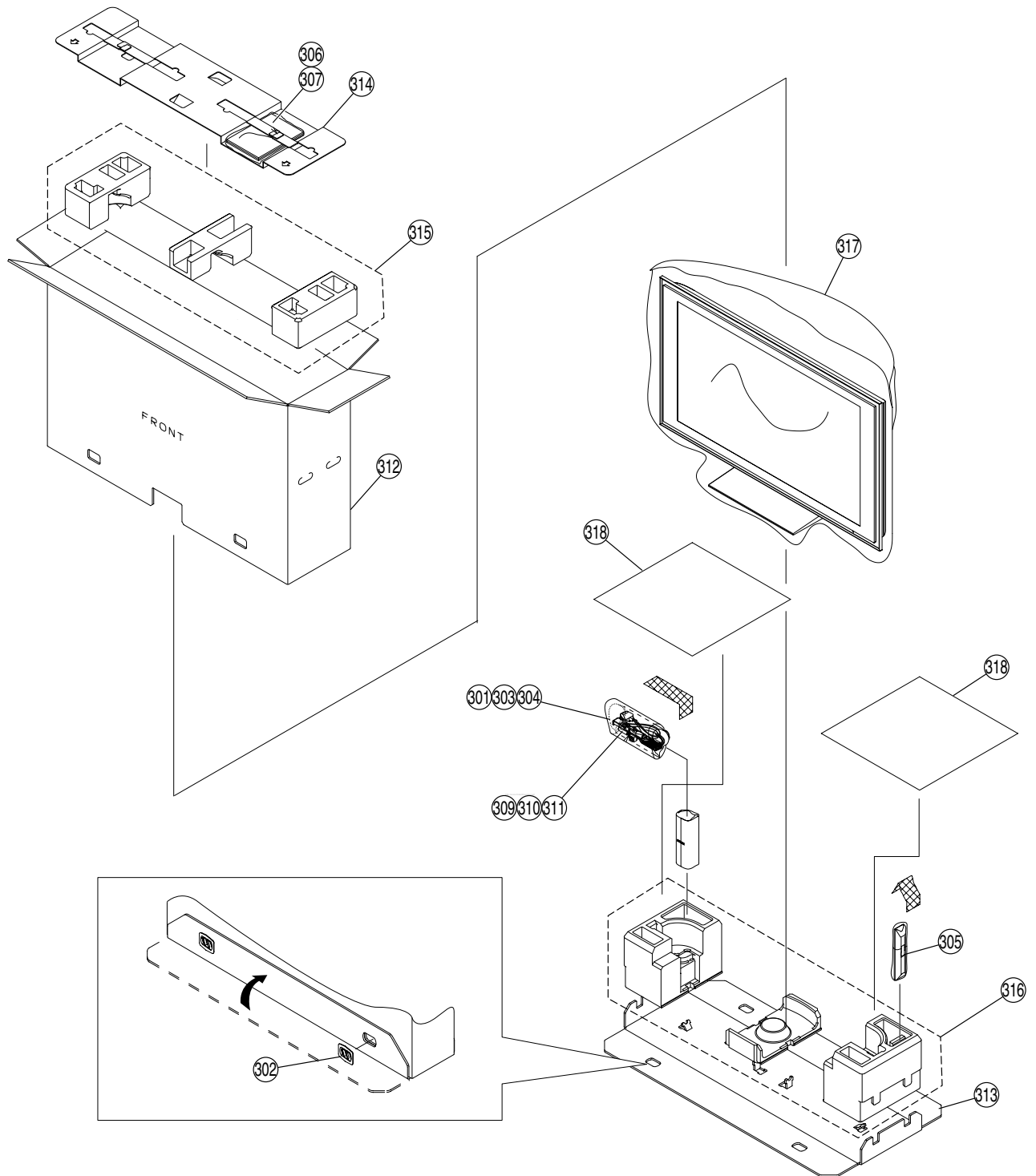
3-6. BEZEL ASSY AND LCD PANEL



REF. No.	PART No.	DESCRIPTION	MARK
251	X-2148-072-1	FRONT CABINET ASSY (40) (SILVER) (KLV-40X200A)	252-259, 262-264
	X-2148-071-2	FRONT CABINET ASSY (46) (SILVER) (KLV-46X200A)	252-259, 262-264
252	X-2176-267-1	FRONT CABINET PRE ASSY (40) (BLACK) (KLV-40X250A)	254-259, 262-264
	X-2176-268-1	FRONT CABINET PRE ASSY (46) (BLACK) (KLV-46X250A)	254-259, 262-264
253	X-2109-327-1	BEZEL ASSY (40) (SILVER) (KLV-40X200A)	
	X-2109-326-1	BEZEL ASSY (46) (SILVER) (KLV-46X200A)	
	X-2148-130-2	BEZEL ASSY (40) (BLACK) (KLV-40X250A)	
	X-2148-131-2	BEZEL ASSY (46) (BLACK) (KLV-46X250A)	
254	2-673-396-01	ORNAMENTAL, FRAME H (40) (KLV-40X200A/40X250A)	
255	X-2149-793-1	IR GUIDE ASSY	

REF. No.	PART No.	DESCRIPTION	MARK
256	2-673-391-01	ORNAMENTAL, JOINT	
257	2-673-579-02	BEZEL BUSH	
258	2-673-397-01	ORNAMENTAL, FRAME V (40) (KLV-40X200A/40X250A)	
259	2-673-395-01	CENTER, CABINET (40) (KLV-40X200A/40X250A)	
260	2-580-640-01	SCREW, +BVTP2 4X16	
261	2-580-615-01	SCREW, +K M4X6 (KLV-46X200A/46X250A)	
262	2-694-106-01	SCREW, M2 TAPING	
263	2-673-394-01	FRONT, CABINET (40) (KLV-40X200A/40X250A)	
264	2-694-107-01	SCREW, FIXED	
265	1-802-198-12	LCD PANEL (40 INCH FHD+TFT) (KLV-40X200A/40X250A)	
	1-802-159-23	LCD PANEL (46INCH FHD+TFT) (KLV-46X200A/46X250A)	
#1	7-685-648-79	SCREW +BVTP 3X12 TYPE2 IT-3	

3-7. PACKING MATERIALS



REF. No.	PART No.	DESCRIPTION	MARK
301	X-2102-511-2	BAG ASSY, RUDDER LOCK	
302	3-674-673-01	STOPPER (A)	
303	2-580-663-01	SCREW, WOOD 3.8X20	
304	2-593-320-02	SCREW, CION (M6X18)	
305	1-479-935-11	REMOTE COMMANDER (RM-GA006)	
306	2-695-576-12	MANUAL (WALL MOUNT INSTRUCTION)	
307	2-689-512-12	MANUAL, INSTRUCTION (ENGLISH)	
	2-689-512-22	MANUAL, INSTRUCTION (ARABIC, PERU)	
	2-689-512-32	MANUAL, INSTRUCTION (THAI, TRADITIONAL CHINESE)	
309	1-769-175-22	ANTENNA CABLE	
310	1-793-504-11	CABLE ASSY (15PDSUBX2CONNECTOR)	
311	△ 1-833-118-21	POWER-SUPPLY CORD SET	

REF. No.	PART No.	DESCRIPTION	MARK
312	* 2-698-649-01	INDIVIDUAL CARTON (KLV-40X200A/40X250A)	
	* 2-699-644-02	INDIVIDUAL CARTON (KLV-46X200A/46X250A)	
313	* 2-686-368-01	TRAY (KLV-40X200A/40X250A)	
	* 2-679-299-01	TRAY (KLV-46X200A/46X250A)	
314	* 2-686-369-01	BOARD, TOP (KLV-40X200A/40X250A)	
	* 2-683-084-01	BOARD, TOP (KLV-46X200A/46X250A)	
315	* 2-679-300-01	CUSHION (UPPER) (KLV-40/46X200A)	
	* 3-093-342-01	CUSHION (UPPER) (KLV-40/46X250A)	
316	* 2-679-301-01	CUSHION (LOWER) (KLV-40/46X200A)	
	* 3-093-343-01	CUSHION (LOWER) (KLV-40/46X250A)	
317	2-694-444-01	BAG, PROTECTION (KLV-46X200A)	
	* 4-102-317-03	BAG, PROTECTION (KLV-46X250A)	
318	* 2-889-071-01	SHEET, PROTECTION (KLV-40/46X250A)	

SECTION 4
ELECTRICAL PARTS LIST

NOTE:

The components identified \triangle marked are critical for safety.
Replace only with the part number specified.

When indicating parts by reference number, please include the board name.

Note: The components identified by mark \square contain confidential information. Strictly follow the instructions whenever the components are repaired and/or replaced.

- All variable and adjustable resistors have characteristic curve B, unless otherwise noted.
- Items marked * are not stocked since they are seldom required for routine service. Some delay should be anticipated when ordering these items.

RESISTORS

- All resistors are in ohms
- F : nonflammable

CAPACITORS

- PF : $\mu\mu$ F
- There are some cases the reference number on one board overlaps on the other board. Therefore, when ordering parts by the reference number, please include the board name.

REF. NO.	PART NO.	DESCRIPTION	REMARK	REF. NO.	PART NO.	DESCRIPTION	REMARK
	A-1171-667-A	H3 MOUNT					

		<CAPACITOR>					
C3202	1-126-391-11	ELECT CHIP 47UF	20.00% 6.3V	Q3205	8-729-907-00	TRANSISTOR DTC114EU	
C3203	1-100-566-91	CERAMIC CHIP 0.1UF	10.00% 25V	Q3206	6-550-586-01	TRANSISTOR 2PA1576R-115	
C3205	1-100-566-91	CERAMIC CHIP 0.1UF	10.00% 25V	Q3207	8-729-907-00	TRANSISTOR DTC114EU	
C3209	1-126-205-11	ELECT CHIP 47UF	20.00% 6.3V	Q3208	6-550-586-01	TRANSISTOR 2PA1576R-115	
C3210	1-100-566-91	CERAMIC CHIP 0.1UF	10.00% 25V	Q3209	8-729-028-73	TRANSISTOR DTA114EUA-T106	
				Q3210	8-729-028-73	TRANSISTOR DTA114EUA-T106	
C3211	1-126-205-11	ELECT CHIP 47UF	20.00% 6.3V	Q3211	8-729-028-73	TRANSISTOR DTA114EUA-T106	
C3212	1-100-566-91	CERAMIC CHIP 0.1UF	10.00% 25V	Q3212	8-729-028-73	TRANSISTOR DTA114EUA-T106	
C3213	1-164-230-11	CERAMIC CHIP 220PF	5.00% 50V			<RESISTOR>	
		<CONNECTOR>		R3200	1-216-828-11	METAL CHIP 3.9K	5% 1/10W
CN3200	1-819-464-11	HEADER ASSEMBLY FOR PWB 2P		R3201	1-216-864-11	SHORT CHIP 0	
CN3201	1-819-470-11	HEADER ASSEMBLY FOR PWB 11P		R3202	1-216-815-11	METAL CHIP 330	5% 1/10W
		<DIODE>		R3203	1-216-807-11	METAL CHIP 68	5% 1/10W
D3200	6-501-502-01	DIODE FR5366X		R3204	1-216-864-11	SHORT CHIP 0	
D3201	6-500-672-11	DIODE TLRMHGH48M (SONY)		R3206	1-216-815-11	METAL CHIP 330	5% 1/10W
D3202	6-500-672-11	DIODE TLRMHGH48M (SONY)		R3207	1-216-807-11	METAL CHIP 68	5% 1/10W
D3203	6-500-028-01	DIODE MM3Z9V1ST1		R3209	1-216-827-11	METAL CHIP 3.3K	5% 1/10W
D3204	6-500-028-01	DIODE MM3Z9V1ST1		R3211	1-216-851-11	METAL CHIP 330K	5% 1/10W
D3205	6-500-028-01	DIODE MM3Z9V1ST1		R3212	1-216-851-11	METAL CHIP 330K	5% 1/10W
D3206	6-500-028-01	DIODE MM3Z9V1ST1		R3213	1-216-833-11	METAL CHIP 10K	5% 1/10W
D3207	6-500-028-01	DIODE MM3Z9V1ST1		R3214	1-216-839-11	METAL CHIP 33K	5% 1/10W
D3208	6-500-028-01	DIODE MM3Z9V1ST1		R3215	1-216-821-11	METAL CHIP 1K	5% 1/10W
D3210	6-500-028-01	DIODE MM3Z9V1ST1		R3217	1-216-864-11	SHORT CHIP 0	
		<IC>		R3218	1-216-805-11	METAL CHIP 47	5% 1/10W
IC3200	6-600-447-01	IC TPS853 (SONY)		R3219	1-216-833-11	METAL CHIP 10K	5% 1/10W
IC3201	6-600-502-01	HIC GP1UE26RK0VF		R3220	1-216-817-11	METAL CHIP 470	5% 1/10W
		<TRANSISTOR>		R3221	1-216-864-11	SHORT CHIP 0	
Q3200	8-729-028-91	TRANSISTOR DTA144EUA-T106		R3222	1-216-864-11	SHORT CHIP 0	
Q3201	8-729-029-14	TRANSISTOR DTC144EUA-T106				*****	
Q3202	8-729-907-00	TRANSISTOR DTC114EU				A-1171-668-A	H4 MOUNT
Q3203	8-729-907-00	TRANSISTOR DTC114EU				*****	
Q3204	8-729-907-00	TRANSISTOR DTC114EU				<CAPACITOR>	
				C3300	1-126-395-11	ELECT CHIP 22UF	20.00% 16V
						<CONNECTOR>	
				CN3301	1-819-445-11	HEADER ASSEMBLY FOR PWB 3P	

REF. NO.	PART NO.	DESCRIPTION	REMARK	REF. NO.	PART NO.	DESCRIPTION	REMARK
		<DIODE>					
D3307	6-501-198-01	DIODE NSPW500BS-A0-M		C8458	1-125-777-11	CERAMIC CHIP 0.1UF	10.00% 10V
D3310	6-501-198-01	DIODE NSPW500BS-A0-M		C8459	1-165-875-11	CERAMIC CHIP 10UF	10% 10V
D3313	6-501-198-01	DIODE NSPW500BS-A0-M					
		<TRANSISTOR>					
Q3300	8-729-907-00	TRANSISTOR DTC114EU		C8460	1-165-875-11	CERAMIC CHIP 10UF	10% 10V
Q3303	8-729-907-00	TRANSISTOR DTC114EU		C8461	1-112-692-11	CERAMIC CHIP 1000PF	5% 50V
Q3306	8-729-907-00	TRANSISTOR DTC114EU		C8462	1-127-820-11	CERAMIC CHIP 4.7UF	10% 16V
		<RESISTOR>		C8463	1-127-820-11	CERAMIC CHIP 4.7UF	10% 16V
R3300	1-216-809-11	METAL CHIP 100 5% 1/10W		C8466	1-165-874-21	ELECT CHIP 120UF	20% 6.3V
R3303	1-216-809-11	METAL CHIP 100 5% 1/10W					
R3306	1-216-809-11	METAL CHIP 100 5% 1/10W		C8468	1-164-874-11	CERAMIC CHIP 100PF	5.00% 50V
				C8469	1-112-692-11	CERAMIC CHIP 1000PF	5% 50V
				C8470	1-164-943-81	CERAMIC CHIP 0.01UF	10.00% 16V
				C8471	1-124-779-00	ELECT CHIP 10UF	20.00% 16V
				C8472	1-125-777-11	CERAMIC CHIP 0.1UF	10.00% 10V
				C8473	1-125-777-11	CERAMIC CHIP 0.1UF	10.00% 10V
				C8474	1-125-777-11	CERAMIC CHIP 0.1UF	10.00% 10V
				C8476	1-124-779-00	ELECT CHIP 10UF	20.00% 16V
				C8477	1-107-826-11	CERAMIC CHIP 0.1UF	10.00% 16V
				C8478	1-164-939-11	CERAMIC CHIP 0.0022UF	10.00% 50V
				C8479	1-164-939-11	CERAMIC CHIP 0.0022UF	10.00% 50V
				C8480	1-112-672-81	CERAMIC CHIP 330PF	5% 50V
				C8481	1-112-672-81	CERAMIC CHIP 330PF	5% 50V
				C8482	1-112-672-81	CERAMIC CHIP 330PF	5% 50V
				C8483	1-126-204-11	ELECT CHIP 47UF	20.00% 16V
				C8484	1-112-672-81	CERAMIC CHIP 330PF	5% 50V
				C8485	1-124-779-00	ELECT CHIP 10UF	20.00% 16V
				C8486	1-124-779-00	ELECT CHIP 10UF	20.00% 16V
				C8487	1-112-672-81	CERAMIC CHIP 330PF	5% 50V
				C8488	1-107-826-11	CERAMIC CHIP 0.1UF	10.00% 16V
				C8490	1-112-672-81	CERAMIC CHIP 330PF	5% 50V
				C8491	1-126-204-11	ELECT CHIP 47UF	20.00% 16V
				C8492	1-112-692-11	CERAMIC CHIP 1000PF	5% 50V
				C8493	1-112-692-11	CERAMIC CHIP 1000PF	5% 50V
				C8494	1-125-777-11	CERAMIC CHIP 0.1UF	10.00% 10V
				C8495	1-124-779-00	ELECT CHIP 10UF	20.00% 16V
				C8496	1-125-889-91	CERAMIC CHIP 2.2UF	10% 10V
				C8497	1-125-889-91	CERAMIC CHIP 2.2UF	10% 10V
				C8501	1-124-779-00	ELECT CHIP 10UF	20.00% 16V
				C8503	1-100-916-11	CERAMIC CHIP 0.1UF	10% 16V
				C8504	1-127-820-11	CERAMIC CHIP 4.7UF	10% 16V
				C8505	1-127-820-11	CERAMIC CHIP 4.7UF	10% 16V
				C8506	1-164-866-11	CERAMIC CHIP 47PF	5.00% 50V
				C8507	1-164-866-11	CERAMIC CHIP 47PF	5.00% 50V
				C8508	1-126-204-11	ELECT CHIP 47UF	20.00% 16V
				C8509	1-126-204-11	ELECT CHIP 47UF	20.00% 16V
				C8510	1-127-772-81	CERAMIC CHIP 0.033UF	10% 10V
				C8511	1-164-943-81	CERAMIC CHIP 0.01UF	10.00% 16V
				C8512	1-117-681-11	ELECT CHIP 100UF	20.00% 16V
				C8513	1-127-820-11	CERAMIC CHIP 4.7UF	10% 16V
				C8514	1-127-820-11	CERAMIC CHIP 4.7UF	10% 16V
				C8519	1-125-777-11	CERAMIC CHIP 0.1UF	10.00% 10V
				C8601	1-117-681-11	ELECT CHIP 100UF	20.00% 16V
				C8602	1-124-779-00	ELECT CHIP 10UF	20.00% 16V
				C8603	1-128-357-11	ELECT CHIP 10UF	20.00% 16V
				C8604	1-100-916-11	CERAMIC CHIP 0.1UF	10% 16V
				C8605	1-128-357-11	ELECT CHIP 10UF	20.00% 16V
				C8606	1-128-357-11	ELECT CHIP 10UF	20.00% 16V
				C8609	1-125-777-11	CERAMIC CHIP 0.1UF	10.00% 10V
				C8610	1-117-681-11	ELECT CHIP 100UF	20.00% 16V
				C8611	1-164-933-11	CERAMIC CHIP 220PF	10.00% 50V
				C8612	1-124-779-00	ELECT CHIP 10UF	20.00% 16V
				C8613	1-124-779-00	ELECT CHIP 10UF	20.00% 16V
				C8614	1-164-933-11	CERAMIC CHIP 220PF	10.00% 50V
				C8615	1-100-916-11	CERAMIC CHIP 0.1UF	10% 16V
				C8455	1-164-943-81	CERAMIC CHIP 0.01UF	10.00% 16V
				C8456	1-124-779-00	ELECT CHIP 10UF	20.00% 16V
				C8457	1-127-715-91	CERAMIC CHIP 0.22UF	10% 16V

REF. NO.	PART NO.	DESCRIPTION	REMARK	REF. NO.	PART NO.	DESCRIPTION	REMARK
C8616	1-100-916-11	CERAMIC CHIP	0.1UF 10% 16V	C8838	1-164-217-11	CERAMIC CHIP	150PF 5.00% 50V
C8617	1-117-681-11	ELECT CHIP	100UF 20.00% 16V	C8839	1-164-217-11	CERAMIC CHIP	150PF 5.00% 50V
C8618	1-124-779-00	ELECT CHIP	10UF 20.00% 16V	C8840	1-162-965-11	CERAMIC CHIP	0.0015UF 10.00% 50V
C8619	1-124-779-00	ELECT CHIP	10UF 20.00% 16V	C8841	1-162-965-11	CERAMIC CHIP	0.0015UF 10.00% 50V
C8620	1-128-357-11	ELECT CHIP	10UF 20.00% 16V	C8842	1-164-217-11	CERAMIC CHIP	150PF 5.00% 50V
C8621	1-164-935-11	CERAMIC CHIP	470PF 10.00% 50V	C8843	1-164-217-11	CERAMIC CHIP	150PF 5.00% 50V
C8622	1-117-681-11	ELECT CHIP	100UF 20.00% 16V	C8844	1-162-965-11	CERAMIC CHIP	0.0015UF 10.00% 50V
C8623	1-100-916-11	CERAMIC CHIP	0.1UF 10% 16V	C8845	1-164-004-11	CERAMIC CHIP	0.1UF 10.00% 25V
C8625	1-117-681-11	ELECT CHIP	100UF 20.00% 16V	C8846	1-164-004-11	CERAMIC CHIP	0.1UF 10.00% 25V
C8626	1-164-938-11	CERAMIC CHIP	0.0015UF 10.00% 50V	C8847	1-115-340-11	CERAMIC CHIP	0.22UF 10.00% 25V
C8627	1-117-681-11	ELECT CHIP	100UF 20.00% 16V	C8848	1-164-004-11	CERAMIC CHIP	0.1UF 10.00% 25V
C8628	1-164-938-11	CERAMIC CHIP	0.0015UF 10.00% 50V	C8849	1-164-004-11	CERAMIC CHIP	0.1UF 10.00% 25V
C8629	1-164-935-11	CERAMIC CHIP	470PF 10.00% 50V	C8850	1-164-004-11	CERAMIC CHIP	0.1UF 10.00% 25V
C8630	1-115-154-11	ELECT CHIP	10UF 20.00% 16V	C8851	1-163-007-11	CERAMIC CHIP	680PF 10.00% 50V
C8631	1-115-154-11	ELECT CHIP	10UF 20.00% 16V	C8852	1-164-004-11	CERAMIC CHIP	0.1UF 10.00% 25V
C8632	1-124-779-00	ELECT CHIP	10UF 20.00% 16V	C8853	1-163-007-11	CERAMIC CHIP	680PF 10.00% 50V
C8633	1-128-357-11	ELECT CHIP	10UF 20.00% 16V	C8854	1-163-007-11	CERAMIC CHIP	680PF 10.00% 50V
C8634	1-128-357-11	ELECT CHIP	10UF 20.00% 16V	C8855	1-164-004-11	CERAMIC CHIP	0.1UF 10.00% 25V
C8635	1-125-777-11	CERAMIC CHIP	0.1UF 10.00% 10V	C8856	1-163-007-11	CERAMIC CHIP	680PF 10.00% 50V
C8636	1-117-681-11	ELECT CHIP	100UF 20.00% 16V	C8857	1-164-004-11	CERAMIC CHIP	0.1UF 10.00% 25V
C8637	1-125-777-11	CERAMIC CHIP	0.1UF 10.00% 10V	C8858	1-163-007-11	CERAMIC CHIP	680PF 10.00% 50V
C8638	1-117-681-11	ELECT CHIP	100UF 20.00% 16V	C8859	1-163-007-11	CERAMIC CHIP	680PF 10.00% 50V
C8639	1-164-933-11	CERAMIC CHIP	220PF 10.00% 50V	C8860	1-163-007-11	CERAMIC CHIP	680PF 10.00% 50V
C8640	1-164-933-11	CERAMIC CHIP	220PF 10.00% 50V	C8861	1-163-007-11	CERAMIC CHIP	680PF 10.00% 50V
C8641	1-124-779-00	ELECT CHIP	10UF 20.00% 16V	C8862	1-165-585-21	ELECT CHIP	47UF 20% 25V
C8642	1-100-916-11	CERAMIC CHIP	0.1UF 10% 16V	C8863	1-165-585-21	ELECT CHIP	47UF 20% 25V
C8644	1-100-916-11	CERAMIC CHIP	0.1UF 10% 16V	C8864	1-165-585-21	ELECT CHIP	47UF 20% 25V
C8645	1-117-681-11	ELECT CHIP	100UF 20.00% 16V	C8865	1-165-585-21	ELECT CHIP	47UF 20% 25V
C8647	1-100-916-11	CERAMIC CHIP	0.1UF 10% 16V	C8867	1-128-401-11	ELECT CHIP	100UF 20% 25V
C8648	1-124-779-00	ELECT CHIP	10UF 20.00% 16V	C8868	1-100-591-91	CERAMIC CHIP	1UF 10% 25V
C8649	1-124-779-00	ELECT CHIP	10UF 20.00% 16V	C8869	1-100-591-91	CERAMIC CHIP	1UF 10% 25V
C8657	1-124-779-00	ELECT CHIP	10UF 20.00% 16V	C8870	1-100-591-91	CERAMIC CHIP	1UF 10% 25V
C8658	1-117-681-11	ELECT CHIP	100UF 20.00% 16V	C8871	1-100-591-91	CERAMIC CHIP	1UF 10% 25V
C8659	1-100-743-91	CERAMIC CHIP	2.2UF 20% 16V	C8872	1-128-401-11	ELECT CHIP	100UF 20% 25V
C8660	1-100-743-91	CERAMIC CHIP	2.2UF 20% 16V	C8873	1-128-992-21	ELECT CHIP	47UF 20% 25V
C8661	1-162-964-11	CERAMIC CHIP	0.001UF 10.00% 50V	C8874	1-112-030-31	ELECT	1500UF 20% 35V
C8663	1-100-566-91	CERAMIC CHIP	0.1UF 10.00% 25V	C8875	1-112-030-31	ELECT	1500UF 20% 35V
C8801	1-115-339-11	CERAMIC CHIP	0.1UF 10.00% 50V	C8876	1-131-702-11	FILM	0.68UF 5% 50V
C8802	1-124-779-00	ELECT CHIP	10UF 20.00% 16V	C8877	1-131-702-11	FILM	0.68UF 5% 50V
C8803	1-128-357-11	ELECT CHIP	10UF 20.00% 16V	C8878	1-131-702-11	FILM	0.68UF 5% 50V
C8804	1-128-357-11	ELECT CHIP	10UF 20.00% 16V	C8879	1-131-702-11	FILM	0.68UF 5% 50V
C8805	1-164-936-11	CERAMIC CHIP	680PF 10.00% 50V	C8880	1-100-671-11	CERAMIC CHIP	4.7UF 20% 25V
C8806	1-164-937-11	CERAMIC CHIP	0.001UF 10.00% 50V	C8881	1-100-671-11	CERAMIC CHIP	4.7UF 20% 25V
C8807	1-164-937-11	CERAMIC CHIP	0.001UF 10.00% 50V	C8882	1-163-275-11	CERAMIC CHIP	0.001UF 5.00% 50V
C8808	1-124-779-00	ELECT CHIP	10UF 20.00% 16V	C8883	1-163-275-11	CERAMIC CHIP	0.001UF 5.00% 50V
C8809	1-164-936-11	CERAMIC CHIP	680PF 10.00% 50V	C8886	1-163-275-11	CERAMIC CHIP	0.001UF 5.00% 50V
C8810	1-164-004-11	CERAMIC CHIP	0.1UF 10.00% 25V	C8887	1-163-275-11	CERAMIC CHIP	0.001UF 5.00% 50V
C8813	1-125-777-11	CERAMIC CHIP	0.1UF 10.00% 10V	C8888	1-100-671-11	CERAMIC CHIP	4.7UF 20% 25V
C8814	1-126-204-11	ELECT CHIP	47UF 20.00% 16V	C8889	1-107-826-11	CERAMIC CHIP	0.1UF 10.00% 16V
C8815	1-126-204-11	ELECT CHIP	47UF 20.00% 16V	C8894	1-100-916-11	CERAMIC CHIP	0.1UF 10% 16V
C8816	1-117-681-11	ELECT CHIP	100UF 20.00% 16V	C8895	1-126-603-11	ELECT CHIP	4.7UF 20.00% 35V
C8817	1-100-916-11	CERAMIC CHIP	0.1UF 10% 16V	C8896	1-126-603-11	ELECT CHIP	4.7UF 20.00% 35V
C8820	1-117-681-11	ELECT CHIP	100UF 20.00% 16V	C8897	1-126-603-11	ELECT CHIP	4.7UF 20.00% 35V
C8821	1-124-779-00	ELECT CHIP	10UF 20.00% 16V	C8898	1-126-603-11	ELECT CHIP	4.7UF 20.00% 35V
C8822	1-126-399-11	ELECT CHIP	10UF 20.00% 35V	C8901	1-162-927-11	CERAMIC CHIP	100PF 5.00% 50V
C8823	1-100-916-11	CERAMIC CHIP	0.1UF 10% 16V	C8902	1-162-927-11	CERAMIC CHIP	100PF 5.00% 50V
C8827	1-100-566-91	CERAMIC CHIP	0.1UF 10.00% 25V	C8903	1-163-275-11	CERAMIC CHIP	0.001UF 5.00% 50V
C8830	1-128-992-21	ELECT CHIP	47UF 20% 25V	C8904	1-163-275-11	CERAMIC CHIP	0.001UF 5.00% 50V
C8831	1-128-595-11	ELECT CHIP	2.2UF 20.00% 50V	C8905	1-163-275-11	CERAMIC CHIP	0.001UF 5.00% 50V
C8832	1-128-595-11	ELECT CHIP	2.2UF 20.00% 50V	C8906	1-163-275-11	CERAMIC CHIP	0.001UF 5.00% 50V
C8833	1-126-395-11	ELECT CHIP	22UF 20.00% 16V	C8907	1-163-275-11	CERAMIC CHIP	0.001UF 5.00% 50V
C8834	1-126-395-11	ELECT CHIP	22UF 20.00% 16V	C8908	1-163-021-91	CERAMIC CHIP	0.01UF 10.00% 50V
C8835	1-126-405-11	ELECT CHIP	10UF 20.00% 50V	C8938	1-100-566-91	CERAMIC CHIP	0.1UF 10.00% 25V
C8836	1-117-681-11	ELECT CHIP	100UF 20.00% 16V	C8940	1-162-964-11	CERAMIC CHIP	0.001UF 10.00% 50V
C8837	1-162-965-11	CERAMIC CHIP	0.0015UF 10.00% 50V	C8942	1-163-021-91	CERAMIC CHIP	0.01UF 10.00% 50V

REF. NO.	PART NO.	DESCRIPTION	REMARK	REF. NO.	PART NO.	DESCRIPTION	REMARK
C9001	1-125-891-11	CERAMIC CHIP	0.47UF 10.00% 10V	C9359	1-100-743-91	CERAMIC CHIP	2.2UF 20% 16V
C9002	1-162-923-11	CERAMIC CHIP	47PF 5.00% 50V	C9360	1-100-743-91	CERAMIC CHIP	2.2UF 20% 16V
C9003	1-162-923-11	CERAMIC CHIP	47PF 5.00% 50V	C9361	1-100-743-91	CERAMIC CHIP	2.2UF 20% 16V
C9004	1-162-923-11	CERAMIC CHIP	47PF 5.00% 50V	C9362	1-100-743-91	CERAMIC CHIP	2.2UF 20% 16V
C9005	1-162-923-11	CERAMIC CHIP	47PF 5.00% 50V	C9363	1-100-743-91	CERAMIC CHIP	2.2UF 20% 16V
C9006	1-100-743-91	CERAMIC CHIP	2.2UF 20% 16V	C9364	1-100-743-91	CERAMIC CHIP	2.2UF 20% 16V
C9007	1-100-743-91	CERAMIC CHIP	2.2UF 20% 16V	C9365	1-100-743-91	CERAMIC CHIP	2.2UF 20% 16V
C9008	1-162-926-11	CERAMIC CHIP	82PF 5.00% 50V	C9366	1-100-743-91	CERAMIC CHIP	2.2UF 20% 16V
C9009	1-162-926-11	CERAMIC CHIP	82PF 5.00% 50V	C9367	1-117-681-11	ELECT CHIP	100UF 20.00% 16V
C9010	1-162-926-11	CERAMIC CHIP	82PF 5.00% 50V	C9368	1-100-743-91	CERAMIC CHIP	2.2UF 20% 16V
C9011	1-162-923-11	CERAMIC CHIP	47PF 5.00% 50V	C9369	1-165-908-11	CERAMIC CHIP	1UF 10% 10V
C9012	1-162-923-11	CERAMIC CHIP	47PF 5.00% 50V	C9370	1-165-908-11	CERAMIC CHIP	1UF 10% 10V
C9013	1-164-943-81	CERAMIC CHIP	0.01UF 10.00% 16V	C9371	1-165-908-11	CERAMIC CHIP	1UF 10% 10V
C9014	1-164-943-81	CERAMIC CHIP	0.01UF 10.00% 16V	C9372	1-100-743-91	CERAMIC CHIP	2.2UF 20% 16V
C9015	1-162-923-11	CERAMIC CHIP	47PF 5.00% 50V	C9373	1-100-743-91	CERAMIC CHIP	2.2UF 20% 16V
C9016	1-162-923-11	CERAMIC CHIP	47PF 5.00% 50V	C9374	1-100-743-91	CERAMIC CHIP	2.2UF 20% 16V
C9017	1-100-743-91	CERAMIC CHIP	2.2UF 20% 16V	C9375	1-100-743-91	CERAMIC CHIP	2.2UF 20% 16V
C9018	1-100-743-91	CERAMIC CHIP	2.2UF 20% 16V	C9376	1-100-743-91	CERAMIC CHIP	2.2UF 20% 16V
C9019	1-162-923-11	CERAMIC CHIP	47PF 5.00% 50V	C9377	1-100-743-91	CERAMIC CHIP	2.2UF 20% 16V
C9020	1-162-923-11	CERAMIC CHIP	47PF 5.00% 50V	C9378	1-100-743-91	CERAMIC CHIP	2.2UF 20% 16V
C9021	1-112-065-11	CERAMIC CHIP	4.7UF 10% 16V	C9379	1-100-743-91	CERAMIC CHIP	2.2UF 20% 16V
C9022	1-165-492-21	ELECT CHIP	100UF 20% 10V	C9380	1-100-743-91	CERAMIC CHIP	2.2UF 20% 16V
C9023	1-125-777-11	CERAMIC CHIP	0.1UF 10.00% 10V	C9381	1-100-743-91	CERAMIC CHIP	2.2UF 20% 16V
C9030	1-162-923-11	CERAMIC CHIP	47PF 5.00% 50V	C9382	1-107-826-11	CERAMIC CHIP	0.1UF 10.00% 16V
C9031	1-100-881-91	CERAMIC CHIP	47UF 20% 6.3V	C9383	1-100-743-91	CERAMIC CHIP	2.2UF 20% 16V
C9032	1-162-923-11	CERAMIC CHIP	47PF 5.00% 50V	C9384	1-100-743-91	CERAMIC CHIP	2.2UF 20% 16V
C9033	1-162-923-11	CERAMIC CHIP	47PF 5.00% 50V	C9385	1-100-743-91	CERAMIC CHIP	2.2UF 20% 16V
C9034	1-162-923-11	CERAMIC CHIP	47PF 5.00% 50V	C9386	1-165-908-11	CERAMIC CHIP	1UF 10% 10V
C9035	1-162-923-11	CERAMIC CHIP	47PF 5.00% 50V	C9387	1-107-826-11	CERAMIC CHIP	0.1UF 10.00% 16V
C9036	1-162-923-11	CERAMIC CHIP	47PF 5.00% 50V	C9388	1-107-826-11	CERAMIC CHIP	0.1UF 10.00% 16V
C9037	1-162-923-11	CERAMIC CHIP	47PF 5.00% 50V	C9389	1-100-743-91	CERAMIC CHIP	2.2UF 20% 16V
C9040	1-100-743-91	CERAMIC CHIP	2.2UF 20% 16V	C9390	1-100-743-91	CERAMIC CHIP	2.2UF 20% 16V
C9041	1-100-743-91	CERAMIC CHIP	2.2UF 20% 16V	C9391	1-100-743-91	CERAMIC CHIP	2.2UF 20% 16V
C9042	1-100-743-91	CERAMIC CHIP	2.2UF 20% 16V	C9392	1-100-743-91	CERAMIC CHIP	2.2UF 20% 16V
C9043	1-100-743-91	CERAMIC CHIP	2.2UF 20% 16V	C9393	1-100-743-91	CERAMIC CHIP	2.2UF 20% 16V
C9044	1-162-926-11	CERAMIC CHIP	82PF 5.00% 50V	C9394	1-100-743-91	CERAMIC CHIP	2.2UF 20% 16V
C9046	1-162-923-11	CERAMIC CHIP	47PF 5.00% 50V	C9395	1-128-399-11	ELECT CHIP	330UF 20% 16V
C9047	1-100-743-91	CERAMIC CHIP	2.2UF 20% 16V	C9396	1-113-619-11	CERAMIC CHIP	0.47UF 10V
C9048	1-100-743-91	CERAMIC CHIP	2.2UF 20% 16V	C9397	1-127-715-91	CERAMIC CHIP	0.22UF 10% 16V
C9049	1-107-826-11	CERAMIC CHIP	0.1UF 10.00% 16V	C9398	1-165-908-11	CERAMIC CHIP	1UF 10% 10V
C9057	1-162-923-11	CERAMIC CHIP	47PF 5.00% 50V	C9399	1-113-619-11	CERAMIC CHIP	0.47UF 10V
C9058	1-162-923-11	CERAMIC CHIP	47PF 5.00% 50V	C9400	1-100-354-21	ELECT CHIP	220UF 20% 6.3V
C9059	1-162-923-11	CERAMIC CHIP	47PF 5.00% 50V	C9401	1-113-619-11	CERAMIC CHIP	0.47UF 10V
C9060	1-162-923-11	CERAMIC CHIP	47PF 5.00% 50V	C9402	1-165-908-11	CERAMIC CHIP	1UF 10% 10V
C9156	1-164-943-81	CERAMIC CHIP	0.01UF 10.00% 16V	C9403	1-164-943-81	CERAMIC CHIP	0.01UF 10.00% 16V
C9201	1-117-681-11	ELECT CHIP	100UF 20.00% 16V	C9404	1-113-619-11	CERAMIC CHIP	0.47UF 10V
C9202	1-125-777-11	CERAMIC CHIP	0.1UF 10.00% 10V	C9405	1-164-943-81	CERAMIC CHIP	0.01UF 10.00% 16V
C9206	1-127-931-21	ELECT CHIP	470UF 20% 16V	C9406	1-165-908-11	CERAMIC CHIP	1UF 10% 10V
C9207	1-127-931-21	ELECT CHIP	470UF 20% 16V	C9408	1-113-619-11	CERAMIC CHIP	0.47UF 10V
C9210	1-162-923-11	CERAMIC CHIP	47PF 5.00% 50V	C9410	1-113-619-11	CERAMIC CHIP	0.47UF 10V
C9211	1-162-923-11	CERAMIC CHIP	47PF 5.00% 50V	C9411	1-100-743-91	CERAMIC CHIP	2.2UF 20% 16V
C9215	1-100-743-91	CERAMIC CHIP	2.2UF 20% 16V	C9412	1-100-743-91	CERAMIC CHIP	2.2UF 20% 16V
C9216	1-100-743-91	CERAMIC CHIP	2.2UF 20% 16V	C9413	1-100-566-91	CERAMIC CHIP	0.1UF 10.00% 25V
C9225	1-100-566-91	CERAMIC CHIP	0.1UF 10.00% 25V	C9414	1-162-925-11	CERAMIC CHIP	68PF 5.00% 50V
C9226	1-100-566-91	CERAMIC CHIP	0.1UF 10.00% 25V	C9415	1-100-354-21	ELECT CHIP	220UF 20% 6.3V
C9227	1-115-339-11	CERAMIC CHIP	0.1UF 10.00% 50V	C9416	1-107-826-11	CERAMIC CHIP	0.1UF 10.00% 16V
C9228	1-115-339-11	CERAMIC CHIP	0.1UF 10.00% 50V	C9417	1-165-887-91	CERAMIC CHIP	0.22UF 10% 6.3V
C9229	1-100-591-91	CERAMIC CHIP	1UF 10% 25V	C9420	1-107-826-11	CERAMIC CHIP	0.1UF 10.00% 16V
C9230	1-165-908-11	CERAMIC CHIP	1UF 10% 10V	C9422	1-128-994-21	ELECT CHIP	47UF 20% 10V
C9231	1-165-908-11	CERAMIC CHIP	1UF 10% 10V	C9423	1-125-777-11	CERAMIC CHIP	0.1UF 10.00% 10V
C9235	1-165-908-11	CERAMIC CHIP	1UF 10% 10V	C9424	1-100-566-91	CERAMIC CHIP	0.1UF 10.00% 25V
C9355	1-100-743-91	CERAMIC CHIP	2.2UF 20% 16V	C9425	1-100-591-91	CERAMIC CHIP	1UF 10% 25V
C9356	1-100-743-91	CERAMIC CHIP	2.2UF 20% 16V	C9426	1-100-743-91	CERAMIC CHIP	2.2UF 20% 16V
C9357	1-100-743-91	CERAMIC CHIP	2.2UF 20% 16V	C9427	1-100-354-21	ELECT CHIP	220UF 20% 6.3V
C9358	1-100-743-91	CERAMIC CHIP	2.2UF 20% 16V	C9428	1-127-931-21	ELECT CHIP	470UF 20% 16V

REF. NO.	PART NO.	DESCRIPTION	REMARK	REF. NO.	PART NO.	DESCRIPTION	REMARK
C9429	1-100-354-21	ELECT CHIP 220UF	20% 6.3V	C9708	1-125-777-11	CERAMIC CHIP 0.1UF	10.00% 10V
C9430	1-100-743-91	CERAMIC CHIP 2.2UF	20% 16V	C9710	1-128-993-21	ELECT CHIP 22UF	20% 10V
C9433	1-112-065-11	CERAMIC CHIP 4.7UF	10% 16V	C9711	1-100-566-91	CERAMIC CHIP 0.1UF	10.00% 25V
C9434	1-100-881-91	CERAMIC CHIP 47UF	20% 6.3V	C9712	1-126-394-11	ELECT CHIP 10UF	20.00% 16V
C9435	1-100-597-91	CERAMIC CHIP 0.1UF	10% 25V	C9713	1-125-777-11	CERAMIC CHIP 0.1UF	10.00% 10V
C9439	1-100-566-91	CERAMIC CHIP 0.1UF	10.00% 25V	C9714	1-100-591-91	CERAMIC CHIP 1UF	10% 25V
C9440	1-127-931-21	ELECT CHIP 470UF	20% 16V	C9715	1-117-681-11	ELECT CHIP 100UF	20.00% 16V
C9441	1-127-931-21	ELECT CHIP 470UF	20% 16V	C9716	1-128-993-21	ELECT CHIP 22UF	20% 10V
C9442	1-127-931-21	ELECT CHIP 470UF	20% 16V	C9718	1-100-566-91	CERAMIC CHIP 0.1UF	10.00% 25V
C9443	1-127-931-21	ELECT CHIP 470UF	20% 16V	C9719	1-165-979-21	ELECT CHIP 100UF	20% 6.3V
C9444	1-128-398-11	ELECT CHIP 220UF	20% 16V	C9721	1-115-456-21	DOUBLE LAYER 0.22F	5.5V
C9445	1-113-701-21	ELECT CHIP 22UF	20.00% 16V	C9723	1-100-591-91	CERAMIC CHIP 1UF	10% 25V
C9446	1-113-701-21	ELECT CHIP 22UF	20.00% 16V	C9725	1-162-964-11	CERAMIC CHIP 0.001UF	10.00% 50V
C9447	1-113-701-21	ELECT CHIP 22UF	20.00% 16V	C9726	1-107-826-11	CERAMIC CHIP 0.1UF	10.00% 16V
C9448	1-165-908-11	CERAMIC CHIP 1UF	10% 10V	C9727	1-164-227-11	CERAMIC CHIP 0.022UF	10.00% 25V
C9449	1-165-908-11	CERAMIC CHIP 1UF	10% 10V	C9728	1-162-964-11	CERAMIC CHIP 0.001UF	10.00% 50V
C9450	1-165-908-11	CERAMIC CHIP 1UF	10% 10V	C9729	1-107-826-11	CERAMIC CHIP 0.1UF	10.00% 16V
C9451	1-117-681-11	ELECT CHIP 100UF	20.00% 16V	C9731	1-117-681-11	ELECT CHIP 100UF	20.00% 16V
C9453	1-165-908-11	CERAMIC CHIP 1UF	10% 10V	C9734	1-107-826-11	CERAMIC CHIP 0.1UF	10.00% 16V
C9454	1-165-908-11	CERAMIC CHIP 1UF	10% 10V	C9736	1-128-994-21	ELECT CHIP 47UF	20% 10V
C9456	1-165-908-11	CERAMIC CHIP 1UF	10% 10V	C9737	1-164-874-11	CERAMIC CHIP 100PF	5.00% 50V
C9556	1-100-911-11	CERAMIC CHIP 4.7UF	10% 25V	C9738	1-162-966-11	CERAMIC CHIP 0.0022UF	10.00% 50V
C9560	1-115-566-11	CERAMIC CHIP 4.7UF	10.00% 10V	C9740	1-100-566-91	CERAMIC CHIP 0.1UF	10.00% 25V
C9562	1-162-962-11	CERAMIC CHIP 470PF	10.00% 50V	C9741	1-125-777-11	CERAMIC CHIP 0.1UF	10.00% 10V
C9563	1-164-862-11	CERAMIC CHIP 33PF	5.00% 50V	C9743	1-100-566-91	CERAMIC CHIP 0.1UF	10.00% 25V
C9564	1-100-911-11	CERAMIC CHIP 4.7UF	10% 25V	C9744	1-162-964-11	CERAMIC CHIP 0.001UF	10.00% 50V
C9565	1-164-882-11	CERAMIC CHIP 220PF	5.00% 16V	C9746	1-162-964-11	CERAMIC CHIP 0.001UF	10.00% 50V
C9566	1-100-911-11	CERAMIC CHIP 4.7UF	10% 25V	C9747	1-107-826-11	CERAMIC CHIP 0.1UF	10.00% 16V
C9567	1-100-912-11	CERAMIC CHIP 1UF	10% 25V	C9748	1-107-826-11	CERAMIC CHIP 0.1UF	10.00% 16V
C9568	1-162-967-11	CERAMIC CHIP 0.0033UF	10.00% 50V	C9749	1-165-908-11	CERAMIC CHIP 1UF	10% 10V
C9569	1-162-967-11	CERAMIC CHIP 0.0033UF	10.00% 50V	C9750	1-100-591-91	CERAMIC CHIP 1UF	10% 25V
C9570	1-100-911-11	CERAMIC CHIP 4.7UF	10% 25V	C9751	1-162-964-11	CERAMIC CHIP 0.001UF	10.00% 50V
C9573	1-100-911-11	CERAMIC CHIP 4.7UF	10% 25V	C9752	1-107-826-11	CERAMIC CHIP 0.1UF	10.00% 16V
C9574	1-100-912-11	CERAMIC CHIP 1UF	10% 25V	C9753	1-162-964-11	CERAMIC CHIP 0.001UF	10.00% 50V
C9575	1-100-912-11	CERAMIC CHIP 1UF	10% 25V	C9754	1-107-826-11	CERAMIC CHIP 0.1UF	10.00% 16V
C9576	1-100-566-91	CERAMIC CHIP 0.1UF	10.00% 25V	C9755	1-107-826-11	CERAMIC CHIP 0.1UF	10.00% 16V
C9577	1-164-227-11	CERAMIC CHIP 0.022UF	10.00% 25V	C9756	1-107-826-11	CERAMIC CHIP 0.1UF	10.00% 16V
C9578	1-165-874-21	ELECT CHIP 120UF	20% 6.3V	C9757	1-100-566-91	CERAMIC CHIP 0.1UF	10.00% 25V
C9579	1-128-994-21	ELECT CHIP 47UF	20% 10V	C9758	1-162-964-11	CERAMIC CHIP 0.001UF	10.00% 50V
C9580	1-128-994-21	ELECT CHIP 47UF	20% 10V	C9759	1-162-964-11	CERAMIC CHIP 0.001UF	10.00% 50V
C9581	1-165-979-21	ELECT CHIP 100UF	20% 6.3V	C9760	1-124-779-00	ELECT CHIP 10UF	20.00% 16V
C9582	1-164-878-11	CERAMIC CHIP 150PF	5% 50V	C9761	1-100-566-91	CERAMIC CHIP 0.1UF	10.00% 25V
C9583	1-162-964-11	CERAMIC CHIP 0.001UF	10.00% 50V	C9764	1-107-826-11	CERAMIC CHIP 0.1UF	10.00% 16V
C9585	1-115-566-11	CERAMIC CHIP 4.7UF	10.00% 10V	C9765	1-100-566-91	CERAMIC CHIP 0.1UF	10.00% 25V
C9586	1-162-964-11	CERAMIC CHIP 0.001UF	10.00% 50V	C9769	1-107-826-11	CERAMIC CHIP 0.1UF	10.00% 16V
C9587	1-128-991-21	ELECT CHIP 10UF	20% 50V	C9770	1-162-964-11	CERAMIC CHIP 0.001UF	10.00% 50V
C9588	1-128-996-11	ELECT CHIP 4.7UF	20% 50V	C9771	1-124-779-00	ELECT CHIP 10UF	20.00% 16V
C9589	1-115-339-11	CERAMIC CHIP 0.1UF	10.00% 50V	C9773	1-162-911-11	CERAMIC CHIP 6PF	0.50PF 50V
C9590	1-128-996-11	ELECT CHIP 4.7UF	20% 50V	C9779	1-162-911-11	CERAMIC CHIP 6PF	0.50PF 50V
C9591	1-125-827-91	CERAMIC CHIP 1UF	10.00% 25V	C9781	1-100-591-91	CERAMIC CHIP 1UF	10% 25V
C9595	1-100-756-91	CERAMIC CHIP 0.047UF	50V	C9788	1-125-777-11	CERAMIC CHIP 0.1UF	10.00% 10V
C9596	1-100-597-91	CERAMIC CHIP 0.1UF	10% 25V	C9789	1-128-993-21	ELECT CHIP 22UF	20% 10V
C9597	1-135-599-11	ELECT CHIP 39UF	20% 16V	C9800	1-164-943-81	CERAMIC CHIP 0.01UF	10.00% 16V
C9598	1-126-204-11	ELECT CHIP 47UF	20.00% 16V	C9801	1-107-826-11	CERAMIC CHIP 0.1UF	10.00% 16V
C9600	1-126-204-11	ELECT CHIP 47UF	20.00% 16V	C9802	1-107-826-11	CERAMIC CHIP 0.1UF	10.00% 16V
C9601	1-126-204-11	ELECT CHIP 47UF	20.00% 16V	C9803	1-107-826-11	CERAMIC CHIP 0.1UF	10.00% 16V
C9603	1-162-964-11	CERAMIC CHIP 0.001UF	10.00% 50V	C9804	1-107-826-11	CERAMIC CHIP 0.1UF	10.00% 16V
C9604	1-162-964-11	CERAMIC CHIP 0.001UF	10.00% 50V			<CONNECTOR>	
C9605	1-162-964-11	CERAMIC CHIP 0.001UF	10.00% 50V				
C9610	1-100-756-91	CERAMIC CHIP 0.047UF	50V				
C9701	1-125-777-11	CERAMIC CHIP 0.1UF	10.00% 10V	CN8801	* 1-580-838-11	PIN, CONNECTOR (PC BOARD) 4P	
C9703	1-164-943-81	CERAMIC CHIP 0.01UF	10.00% 16V	CN9003	1-820-284-11	D SUB CONNECTOR	
C9704	1-165-908-11	CERAMIC CHIP 1UF	10% 10V	CN9201	* 1-819-928-11	HEADER ASSEMBLY 20P	
C9705	1-125-777-11	CERAMIC CHIP 0.1UF	10.00% 10V	CN9203	* 1-819-797-11	HEADER ASSEMBLY FOR PWB 13P	
C9706	1-125-777-11	CERAMIC CHIP 0.1UF	10.00% 10V	CN9204	* 1-794-502-11	PIN, CONNECTOR (B04B-PASK) 4P	

The components identified \triangle marked are critical for safety.
Replace only with the part number specified.



REF. NO.	PART NO.	DESCRIPTION	REMARK	REF. NO.	PART NO.	DESCRIPTION	REMARK
CN9207	* 1-818-714-21	HEADER ASSEMBLY 20P				<FUSE>	
CN9209	1-820-461-11	CONNECTOR, BOARD TO BOARD 140P					
CN9210	1-819-337-11	HEADER ASSEMBLY FOR PWB 10P		F8801	\triangle 1-576-774-21	FUSE 6.3A 72V	
CN9214	1-818-656-21	HEADER ASSEMBLY 30P		F8803	\triangle 1-576-842-11	FUSE 0.63A 32V	
CN9701	1-794-343-51	CONNECTOR, FFC/FPC 18P		F9551	\triangle 1-576-933-21	FUSE 5A 24V	
CN9702	1-794-342-51	CONNECTOR, FFC/FPC 14P		F9552	\triangle 1-576-612-21	FUSE 1A 32V	
		<DIODE>		F9553	\triangle 1-576-612-21	FUSE 1A 32V	
D8411	8-719-404-50	DIODE MA111-TX		F9554	\triangle 1-576-603-11	FUSE 3.15A 24V	
D8413	8-719-404-50	DIODE MA111-TX				<FERRITE BEAD>	
D8414	8-719-404-50	DIODE MA111-TX		FB8401	1-414-234-22	FERRITE 0UH	
D8603	8-719-404-50	DIODE MA111-TX		FB8402	1-414-921-11	FERRITE 0UH	
D8605	8-719-404-50	DIODE MA111-TX		FB8404	1-400-794-21	FERRITE 0UH	
D8606	8-719-404-50	DIODE MA111-TX		FB8405	1-414-921-11	FERRITE 0UH	
D8612	8-719-404-50	DIODE MA111-TX		FB8406	1-400-499-21	FERRITE 0UH	
D8614	8-719-404-50	DIODE MA111-TX		FB8407	1-400-499-21	FERRITE 0UH	
D8615	8-719-404-50	DIODE MA111-TX		FB8408	1-414-921-11	FERRITE 0UH	
D8616	8-719-404-50	DIODE MA111-TX		FB8409	1-469-637-21	FERRITE 0UH	
D8617	8-719-404-50	DIODE MA111-TX		FB8410	1-469-637-21	FERRITE 0UH	
D8618	8-719-404-50	DIODE MA111-TX		FB8411	1-469-637-21	FERRITE 0UH	
D8801	8-719-404-50	DIODE MA111-TX		FB8412	1-469-637-21	FERRITE 0UH	
D8804	8-719-404-50	DIODE MA111-TX		FB8801	1-414-234-22	FERRITE 0UH	
D8805	8-719-404-50	DIODE MA111-TX		FB9001	1-414-554-21	FERRITE 0UH	
D8807	8-719-404-50	DIODE MA111-TX		FB9002	1-414-554-21	FERRITE 0UH	
D8808	8-719-404-50	DIODE MA111-TX		FB9003	1-414-554-21	FERRITE 0UH	
D8809	6-500-884-01	DIODE P6SMBJ30A-5		FB9004	1-414-554-21	FERRITE 0UH	
D8810	6-500-884-01	DIODE P6SMBJ30A-5		FB9007	1-414-554-21	FERRITE 0UH	
D8811	6-500-884-01	DIODE P6SMBJ30A-5		FB9011	1-414-554-21	FERRITE 0UH	
D8812	6-500-884-01	DIODE P6SMBJ30A-5		FB9012	1-414-234-22	FERRITE 0UH	
D8814	6-500-884-01	DIODE P6SMBJ30A-5		FB9013	1-414-554-21	FERRITE 0UH	
D8815	6-500-884-01	DIODE P6SMBJ30A-5		FB9015	1-414-554-21	FERRITE 0UH	
D8816	6-500-884-01	DIODE P6SMBJ30A-5		FB9151	1-481-051-21	FERRITE 0UH	
D8817	6-500-884-01	DIODE P6SMBJ30A-5		FB9152	1-481-051-21	FERRITE 0UH	
D9023	8-719-422-46	DIODE MA8056		FB9153	1-414-445-11	FERRITE 0UH	
D9024	8-719-422-46	DIODE MA8056		FB9154	1-469-082-21	FERRITE 0UH	
D9026	8-719-422-46	DIODE MA8056		FB9156	1-481-051-21	FERRITE 0UH	
D9027	8-719-801-78	DIODE 1SS184		FB9157	1-481-051-21	FERRITE 0UH	
D9033	8-719-050-38	DIODE M1MA152WK-T1		FB9158	1-481-051-21	FERRITE 0UH	
D9034	8-719-050-38	DIODE M1MA152WK-T1		FB9159	1-481-051-21	FERRITE 0UH	
D9552	8-719-422-58	DIODE MA8062		FB9209	1-400-089-21	FERRITE 0UH	
D9553	8-719-069-29	DIODE RB520S-30TE61		FB9210	1-400-089-21	FERRITE 0UH	
D9556	6-501-336-01	DIODE RSX201L-30TE25		FB9211	1-400-089-21	FERRITE 0UH	
D9557	8-719-078-04	DIODE EC31QS03L-TE12L		FB9212	1-469-082-21	FERRITE 0UH	
D9558	8-719-073-69	DIODE PTZ-TE25-6.2A		FB9225	1-400-089-21	FERRITE 0UH	
D9559	6-500-294-01	DIODE PTZ-TE25-3.9B		FB9227	1-469-082-21	FERRITE 0UH	
D9560	8-719-069-29	DIODE RB520S-30TE61		FB9235	1-481-051-21	FERRITE 0UH	
D9702	8-719-050-37	DIODE M1MA152WA-T1		FB9236	1-414-445-11	FERRITE 0UH	
D9703	8-719-058-24	DIODE RB501V-40TE-17		FB9237	1-400-794-21	FERRITE 0UH	
D9705	8-719-404-50	DIODE MA111-TX		FB9238	1-400-794-21	FERRITE 0UH	
D9708	8-719-423-03	DIODE MA8100		FB9240	1-400-089-21	FERRITE 0UH	
D9710	8-719-050-37	DIODE M1MA152WA-T1		FB9241	1-469-637-21	FERRITE 0UH	
D9711	8-719-050-38	DIODE M1MA152WK-T1		FB9242	1-469-637-21	FERRITE 0UH	
D9714	8-719-050-37	DIODE M1MA152WA-T1		FB9243	1-469-637-21	FERRITE 0UH	
D9715	8-719-050-38	DIODE M1MA152WK-T1		FB9244	1-469-637-21	FERRITE 0UH	
D9716	8-719-423-03	DIODE MA8100		FB9245	1-469-637-21	FERRITE 0UH	
ET001	1-780-336-11	EARTH TERMINAL		FB9246	1-469-637-21	FERRITE 0UH	
ET002	1-780-336-11	EARTH TERMINAL		FB9247	1-469-637-21	FERRITE 0UH	
ET003	1-780-336-11	EARTH TERMINAL		FB9248	1-469-637-21	FERRITE 0UH	
ET004	1-780-336-11	EARTH TERMINAL		FB9249	1-469-637-21	FERRITE 0UH	
ET005	1-780-336-11	EARTH TERMINAL		FB9250	1-469-637-21	FERRITE 0UH	
				FB9251	1-414-445-11	FERRITE 0UH	
				FB9551	1-469-092-11	FERRITE 0UH	
				FB9552	1-469-092-11	FERRITE 0UH	
				FB9553	1-400-794-21	FERRITE 0UH	
				FB9707	1-400-794-21	FERRITE 0UH	

The components identified \triangle marked are critical for safety.
Replace only with the part number specified.

AG

REF. NO.	PART NO.	DESCRIPTION	REMARK	REF. NO.	PART NO.	DESCRIPTION	REMARK
		<FILTER>					
FL8405	1-234-494-21	FILTER, EMI REMOVAL (SMD)		L8603	1-412-058-11	INDUCTOR	10UH
FL9203	1-234-494-21	FILTER, EMI REMOVAL (SMD)		L8604	1-469-555-21	INDUCTOR	10UH
FL9400	1-234-494-21	FILTER, EMI REMOVAL (SMD)		L8606	1-469-555-21	INDUCTOR	10UH
FL9701	1-234-494-21	FILTER, EMI REMOVAL (SMD)		L8801	1-412-058-11	INDUCTOR	10UH
FL9702	1-234-494-21	FILTER, EMI REMOVAL (SMD)		L8802	1-412-058-11	INDUCTOR	10UH
FL9703	1-234-494-21	FILTER, EMI REMOVAL (SMD)		L8803	1-412-058-11	INDUCTOR	10UH
FL9704	1-234-177-21	FERRITE 0UH		L8804	1-412-058-11	INDUCTOR	10UH
		<IC>		L8805	1-456-065-21	INDUCTOR	22UH
IC8401	6-707-151-01	IC SN74AHCT244PWR		L8806	1-457-318-11	INDUCTOR	22UH
IC8404	8-759-592-45	IC TC7SZU04FU(TE85R)		L8807	1-457-318-11	INDUCTOR	22UH
IC8405	6-709-778-11	IC MSP4411K-QA-D6-401T		L8808	1-412-062-11	INDUCTOR	47UH
IC8406	6-706-536-01	IC CXD9826R		L8809	1-412-062-11	INDUCTOR	47UH
IC8407	6-706-907-01	IC M5M51008DFP-70H		L9351	1-412-058-11	INDUCTOR	10UH
IC8408	8-759-183-53	IC TL431CPK-E2		L9352	1-412-058-11	INDUCTOR	10UH
IC8409	8-759-359-49	IC NJM3414AV(TE2)		L9353	1-412-058-11	INDUCTOR	10UH
IC8410	6-707-593-01	IC PST3641UL		L9354	1-412-058-11	INDUCTOR	10UH
IC8411	8-759-679-05	IC TC7WH34FU(TE12R)		L9355	1-412-058-11	INDUCTOR	10UH
IC8601	8-759-278-58	IC NJM4558V-TE2		L9356	1-412-955-11	INDUCTOR	22UH
IC8602	8-759-278-58	IC NJM4558V-TE2		L9357	1-412-058-11	INDUCTOR	10UH
IC8603	8-752-107-98	IC CXA2188Q-T4		L9358	1-412-058-11	INDUCTOR	10UH
IC8604	8-759-278-58	IC NJM4558V-TE2		L9552	1-424-918-21	INDUCTOR	10UH
IC8605	8-759-278-58	IC NJM4558V-TE2		L9553	1-416-346-11	INDUCTOR	33UH
IC8606	8-759-278-58	IC NJM4558V-TE2		L9554	1-416-344-11	INDUCTOR	10UH
IC8801	6-708-762-01	IC PQ200WNA1ZPH		L9555	1-416-344-11	INDUCTOR	10UH
IC8802	8-759-338-95	IC NJM2903V(TE2)		L9556	1-416-344-11	INDUCTOR	10UH
IC8803	8-759-278-58	IC NJM4558V-TE2		L9558	1-414-755-11	INDUCTOR	22UH
IC8804	8-759-700-07	IC NJM2903M		L9559	1-400-815-21	INDUCTOR	1.2MH
IC8806	6-709-285-01	IC M61571AFP-DF0T		L9560	1-412-064-11	INDUCTOR	100UH
IC8807	8-759-278-58	IC NJM4558V-TE2		L9561	1-416-344-11	INDUCTOR	10UH
IC8808	8-759-278-58	IC NJM4558V-TE2		L9562	1-416-344-11	INDUCTOR	10UH
IC9001	6-704-600-01	IC M24C02-WMN6T(B)		L9701	1-412-058-11	INDUCTOR	10UH
IC9201	6-706-815-01	IC TMP75AIDR		L9703	1-469-555-21	INDUCTOR	10UH
IC9351	8-753-247-58	IC CXA2239R-TL		L9705	1-469-555-21	INDUCTOR	10UH
IC9353	6-709-777-01	IC ADA4861-3YRZ-RL7		L9706	1-412-058-11	INDUCTOR	10UH
IC9553	6-706-884-01	IC BD9851EFV-E2		L9707	1-469-555-21	INDUCTOR	10UH
IC9554	8-749-925-00	IC TK11819MTL				<IC LINK>	
IC9555	6-708-762-01	IC PQ200WNA1ZPH		PS9001	\triangle 1-576-122-21	IC LINK	0.4A 72V
IC9701	6-705-373-01	IC MM3123DPLE				<TRANSISTOR>	
IC9702	6-709-512-01	IC S-1132B18-M5T1G		Q8401	8-729-421-22	TRANSISTOR UN2211	
IC9703	6-709-517-01	IC S-35390A-J8T1G		Q8402	6-550-585-01	TRANSISTOR 2PC4081R-115	
IC9704	6-708-219-01	IC MB91305PMC-G-BNDE1		Q8403	6-550-586-01	TRANSISTOR 2PA1576R-115	
IC9705	6-703-175-01	IC PST3629UL		Q8404	8-729-421-19	TRANSISTOR UN2213	
IC9706	6-704-067-01	IC M24128-BWMN6T(A)		Q8405	8-729-905-35	TRANSISTOR 2SC4081-R	
IC9707	6-807-033-01	IC S29AL008D70TFI010-2000		Q8410	8-729-424-08	TRANSISTOR UN2111	
		<JACK>		Q8411	8-729-141-73	TRANSISTOR 2SC3624A-T1L15L16	
J9001	1-780-271-11	S CONNECTOR BLOCK		Q8412	8-729-141-73	TRANSISTOR 2SC3624A-T1L15L16	
J9002	1-819-357-11	PHONO JACK 10P		Q8413	8-729-421-19	TRANSISTOR UN2213	
J9003	1-819-387-11	PHONO JACK 3P		Q8601	8-729-905-35	TRANSISTOR 2SC4081-R	
J9004	* 1-819-358-11	PHONO JACK		Q8604	8-729-421-22	TRANSISTOR UN2211	
J9005	1-507-792-00	JACK		Q8606	8-729-141-73	TRANSISTOR 2SC3624A-T1L15L16	
J9006	1-819-755-12	CONNECTOR FOR OPTICAL FIBRE		Q8607	8-729-141-73	TRANSISTOR 2SC3624A-T1L15L16	
		<COIL>		Q8611	8-729-424-08	TRANSISTOR UN2111	
L8401	1-412-058-11	INDUCTOR	10UH	Q8614	8-729-905-35	TRANSISTOR 2SC4081-R	
L8402	1-412-990-41	INDUCTOR	8.2UH	Q8615	8-729-120-28	TRANSISTOR 2SC1623-L5L6	
L8403	1-412-058-11	INDUCTOR	10UH	Q8618	8-729-141-73	TRANSISTOR 2SC3624A-T1L15L16	
L8404	1-412-058-11	INDUCTOR	10UH	Q8619	8-729-141-73	TRANSISTOR 2SC3624A-T1L15L16	
L8601	1-469-555-21	INDUCTOR	10UH	Q8622	8-729-141-73	TRANSISTOR 2SC3624A-T1L15L16	
				Q8623	8-729-141-73	TRANSISTOR 2SC3624A-T1L15L16	
				Q8627	8-729-424-08	TRANSISTOR UN2111	
				Q8628	8-729-421-22	TRANSISTOR UN2211	
				Q8630	8-729-421-22	TRANSISTOR UN2211	

REF. NO.	PART NO.	DESCRIPTION	REMARK	REF. NO.	PART NO.	DESCRIPTION	REMARK
Q8631	8-729-905-35	TRANSISTOR 2SC4081-R				<RESISTOR>	
Q8632	8-729-026-53	TRANSISTOR 2SA1576A-T106-QR					
Q8633	8-729-905-35	TRANSISTOR 2SC4081-R		R8402	1-218-990-81	SHORT CHIP	0
Q8634	8-729-421-22	TRANSISTOR UN2211		R8403	1-218-990-81	SHORT CHIP	0
Q8635	8-729-421-22	TRANSISTOR UN2211		R8404	1-218-990-81	SHORT CHIP	0
Q8636	8-729-421-22	TRANSISTOR UN2211		R8407	1-218-937-11	RES-CHIP	47 5% 1/16W
Q8801	8-729-120-28	TRANSISTOR 2SC1623-L5L6		R8413	1-218-937-11	RES-CHIP	47 5% 1/16W
Q8804	8-729-141-73	TRANSISTOR 2SC3624A-T1L15L16		R8415	1-218-937-11	RES-CHIP	47 5% 1/16W
Q8807	8-729-424-08	TRANSISTOR UN2111		R8417	1-218-937-11	RES-CHIP	47 5% 1/16W
Q8810	8-729-026-53	TRANSISTOR 2SA1576A-T106-QR		R8427	1-218-965-11	RES-CHIP	10K 5% 1/16W
Q8811	8-729-026-53	TRANSISTOR 2SA1576A-T106-QR		R8431	1-218-937-11	RES-CHIP	47 5% 1/16W
Q8812	8-729-026-53	TRANSISTOR 2SA1576A-T106-QR		R8433	1-218-937-11	RES-CHIP	47 5% 1/16W
Q8813	8-729-026-53	TRANSISTOR 2SA1576A-T106-QR		R8435	1-218-937-11	RES-CHIP	47 5% 1/16W
Q8814	8-729-905-35	TRANSISTOR 2SC4081-R		R8446	1-218-941-81	RES-CHIP	100 5% 1/16W
Q8815	8-729-424-08	TRANSISTOR UN2111		R8447	1-218-990-81	SHORT CHIP	0
Q8816	8-729-141-73	TRANSISTOR 2SC3624A-T1L15L16		R8449	1-218-953-11	RES-CHIP	1K 5% 1/16W
Q8819	8-729-600-22	TRANSISTOR 2SA1235-F		R8451	1-218-965-11	RES-CHIP	10K 5% 1/16W
Q8820	8-729-120-28	TRANSISTOR 2SC1623-L5L6		R8452	1-218-937-11	RES-CHIP	47 5% 1/16W
Q9001	8-729-927-99	TRANSISTOR 2SC4617R		R8453	1-216-295-91	SHORT CHIP	0
Q9002	8-729-927-99	TRANSISTOR 2SC4617R		R8455	1-218-965-11	RES-CHIP	10K 5% 1/16W
Q9005	6-550-549-01	TRANSISTOR DTC114EUAFT106		R8458	1-218-957-11	RES-CHIP	2.2K 5% 1/16W
Q9351	8-729-026-53	TRANSISTOR 2SA1576A-T106-QR		R8459	1-216-864-11	SHORT CHIP	0
Q9352	8-729-026-53	TRANSISTOR 2SA1576A-T106-QR		R8460	1-216-864-11	SHORT CHIP	0
Q9353	8-729-026-53	TRANSISTOR 2SA1576A-T106-QR		R8462	1-216-864-11	SHORT CHIP	0
Q9354	8-729-026-53	TRANSISTOR 2SA1576A-T106-QR		R8466	1-218-937-11	RES-CHIP	47 5% 1/16W
Q9355	8-729-117-73	TRANSISTOR 2SC4178-F14		R8467	1-218-990-81	SHORT CHIP	0
Q9356	8-729-602-21	TRANSISTOR 2SC4154-F		R8468	1-218-990-81	SHORT CHIP	0
Q9357	8-729-026-53	TRANSISTOR 2SA1576A-T106-QR		R8469	1-218-990-81	SHORT CHIP	0
Q9358	6-550-832-01	TRANSISTOR SI2301BDS-T1		R8471	1-218-941-81	RES-CHIP	100 5% 1/16W
Q9359	8-729-029-14	TRANSISTOR DTC144EUA-T106		R8472	1-218-937-11	RES-CHIP	47 5% 1/16W
Q9361	8-729-602-21	TRANSISTOR 2SC4154-F		R8473	1-218-941-81	RES-CHIP	100 5% 1/16W
Q9362	8-729-117-73	TRANSISTOR 2SC4178-F14		R8474	1-218-937-11	RES-CHIP	47 5% 1/16W
Q9363	8-729-117-73	TRANSISTOR 2SC4178-F14		R8475	1-218-937-11	RES-CHIP	47 5% 1/16W
Q9364	8-729-117-73	TRANSISTOR 2SC4178-F14		R8476	1-218-941-81	RES-CHIP	100 5% 1/16W
Q9365	8-729-026-53	TRANSISTOR 2SA1576A-T106-QR		R8477	1-218-937-11	RES-CHIP	47 5% 1/16W
Q9551	8-729-602-36	TRANSISTOR 2SA1602-F		R8478	1-218-937-11	RES-CHIP	47 5% 1/16W
Q9552	8-729-602-21	TRANSISTOR 2SC4154-F		R8479	1-218-941-81	RES-CHIP	100 5% 1/16W
Q9553	6-550-828-01	TRANSISTOR RSQ035P03TR		R8480	1-218-937-11	RES-CHIP	47 5% 1/16W
Q9554	6-551-382-01	TRANSISTOR RSS040P03FD5TB		R8481	1-218-937-11	RES-CHIP	47 5% 1/16W
Q9558	8-729-029-14	TRANSISTOR DTC144EUA-T106		R8483	1-218-937-11	RES-CHIP	47 5% 1/16W
Q9560	8-729-602-21	TRANSISTOR 2SC4154-F		R8486	1-218-937-11	RES-CHIP	47 5% 1/16W
Q9701	8-729-602-36	TRANSISTOR 2SA1602-F		R8488	1-218-941-81	RES-CHIP	100 5% 1/16W
Q9702	8-729-602-36	TRANSISTOR 2SA1602-F		R8489	1-218-967-11	RES-CHIP	15K 5% 1/16W
Q9703	8-729-602-36	TRANSISTOR 2SA1602-F		R8490	1-218-941-81	RES-CHIP	100 5% 1/16W
Q9704	8-729-602-21	TRANSISTOR 2SC4154-F		R8491	1-218-967-11	RES-CHIP	15K 5% 1/16W
Q9705	8-729-028-96	TRANSISTOR DTC114EUA-T106		R8492	1-218-973-11	RES-CHIP	47K 5% 1/16W
Q9707	8-729-028-96	TRANSISTOR DTC114EUA-T106		R8494	1-218-937-11	RES-CHIP	47 5% 1/16W
Q9708	8-729-602-21	TRANSISTOR 2SC4154-F		R8495	1-218-937-11	RES-CHIP	47 5% 1/16W
Q9709	8-729-600-22	TRANSISTOR 2SA1235-F		R8496	1-218-937-11	RES-CHIP	47 5% 1/16W
Q9711	8-729-028-74	TRANSISTOR DTA114TUA-T106		R8497	1-218-965-11	RES-CHIP	10K 5% 1/16W
Q9712	8-729-600-22	TRANSISTOR 2SA1235-F		R8498	1-218-990-81	SHORT CHIP	0
Q9713	8-729-120-28	TRANSISTOR 2SC1623-L5L6		R8499	1-218-937-11	RES-CHIP	47 5% 1/16W
Q9715	8-729-600-22	TRANSISTOR 2SA1235-F		R8501	1-218-973-11	RES-CHIP	47K 5% 1/16W
Q9716	8-729-120-28	TRANSISTOR 2SC1623-L5L6		R8502	1-218-990-81	SHORT CHIP	0
Q9718	8-729-013-28	TRANSISTOR HN1B01FU-TE85R		R8504	1-218-831-11	METAL CHIP	220 0.5% 1/10W
Q9719	8-729-028-74	TRANSISTOR DTA114TUA-T106		R8505	1-218-990-81	SHORT CHIP	0
Q9720	8-729-029-04	TRANSISTOR DTC123JUA-T106		R8506	1-218-990-81	SHORT CHIP	0
Q9721	8-729-027-43	TRANSISTOR DTC114EKA-T146		R8507	1-218-990-81	SHORT CHIP	0
Q9732	6-551-387-01	TRANSISTOR SSM6N16FU		R8508	1-218-990-81	SHORT CHIP	0
Q9734	8-729-026-53	TRANSISTOR 2SA1576A-T106-QR		R8509	1-218-990-81	SHORT CHIP	0
Q9736	8-729-907-00	TRANSISTOR DTC114EU		R8510	1-218-990-81	SHORT CHIP	0
Q9740	8-729-600-22	TRANSISTOR 2SA1235-F		R8511	1-218-871-11	METAL CHIP	10K 0.5% 1/10W
Q9741	8-729-120-28	TRANSISTOR 2SC1623-L5L6		R8512	1-218-990-81	SHORT CHIP	0
				R8513	1-218-990-81	SHORT CHIP	0
				R8514	1-218-863-11	METAL CHIP	4.7K 0.5% 1/10W

REF. NO.	PART NO.	DESCRIPTION	REMARK	REF. NO.	PART NO.	DESCRIPTION	REMARK
R8515	1-218-953-11	RES-CHIP	1K 5% 1/16W	R8622	1-218-961-11	RES-CHIP	4.7K 5% 1/16W
R8518	1-216-295-91	SHORT CHIP	0	R8623	1-218-937-11	RES-CHIP	47 5% 1/16W
R8520	1-218-990-81	SHORT CHIP	0	R8624	1-218-961-11	RES-CHIP	4.7K 5% 1/16W
R8521	1-218-990-81	SHORT CHIP	0	R8625	1-218-937-11	RES-CHIP	47 5% 1/16W
R8522	1-216-295-91	SHORT CHIP	0	R8626	1-218-973-11	RES-CHIP	47K 5% 1/16W
R8523	1-218-965-11	RES-CHIP	10K 5% 1/16W	R8627	1-218-973-11	RES-CHIP	47K 5% 1/16W
R8524	1-218-965-11	RES-CHIP	10K 5% 1/16W	R8628	1-218-961-11	RES-CHIP	4.7K 5% 1/16W
R8525	1-218-953-11	RES-CHIP	1K 5% 1/16W	R8629	1-218-961-11	RES-CHIP	4.7K 5% 1/16W
R8526	1-218-953-11	RES-CHIP	1K 5% 1/16W	R8630	1-218-964-11	RES-CHIP	8.2K 5% 1/16W
R8527	1-218-973-11	RES-CHIP	47K 5% 1/16W	R8631	1-218-964-11	RES-CHIP	8.2K 5% 1/16W
R8528	1-218-973-11	RES-CHIP	47K 5% 1/16W	R8632	1-218-961-11	RES-CHIP	4.7K 5% 1/16W
R8529	1-218-961-11	RES-CHIP	4.7K 5% 1/16W	R8633	1-218-961-11	RES-CHIP	4.7K 5% 1/16W
R8530	1-218-961-11	RES-CHIP	4.7K 5% 1/16W	R8634	1-218-950-11	RES-CHIP	560 5% 1/16W
R8531	1-218-973-11	RES-CHIP	47K 5% 1/16W	R8635	1-218-950-11	RES-CHIP	560 5% 1/16W
R8532	1-218-973-11	RES-CHIP	47K 5% 1/16W	R8636	1-218-964-11	RES-CHIP	8.2K 5% 1/16W
R8533	1-216-833-11	METAL CHIP	10K 5% 1/10W	R8637	1-218-964-11	RES-CHIP	8.2K 5% 1/16W
R8534	1-216-833-11	METAL CHIP	10K 5% 1/10W	R8638	1-218-961-11	RES-CHIP	4.7K 5% 1/16W
R8535	1-216-817-11	METAL CHIP	470 5% 1/10W	R8642	1-218-990-81	SHORT CHIP	0
R8536	1-216-821-11	METAL CHIP	1K 5% 1/10W	R8643	1-218-959-11	RES-CHIP	3.3K 5% 1/16W
R8537	1-216-821-11	METAL CHIP	1K 5% 1/10W	R8644	1-218-990-81	SHORT CHIP	0
R8538	1-216-817-11	METAL CHIP	470 5% 1/10W	R8645	1-218-961-11	RES-CHIP	4.7K 5% 1/16W
R8539	1-216-821-11	METAL CHIP	1K 5% 1/10W	R8646	1-218-961-11	RES-CHIP	4.7K 5% 1/16W
R8540	1-216-821-11	METAL CHIP	1K 5% 1/10W	R8647	1-218-961-11	RES-CHIP	4.7K 5% 1/16W
R8541	1-216-817-11	METAL CHIP	470 5% 1/10W	R8648	1-218-961-11	RES-CHIP	4.7K 5% 1/16W
R8542	1-216-821-11	METAL CHIP	1K 5% 1/10W	R8649	1-218-961-11	RES-CHIP	4.7K 5% 1/16W
R8543	1-216-821-11	METAL CHIP	1K 5% 1/10W	R8650	1-218-961-11	RES-CHIP	4.7K 5% 1/16W
R8544	1-216-817-11	METAL CHIP	470 5% 1/10W	R8651	1-218-961-11	RES-CHIP	4.7K 5% 1/16W
R8545	1-216-821-11	METAL CHIP	1K 5% 1/10W	R8652	1-218-959-11	RES-CHIP	3.3K 5% 1/16W
R8546	1-216-821-11	METAL CHIP	1K 5% 1/10W	R8653	1-218-977-11	RES-CHIP	100K 5% 1/16W
R8547	1-218-959-11	RES-CHIP	3.3K 5% 1/16W	R8655	1-218-990-81	SHORT CHIP	0
R8548	1-218-959-11	RES-CHIP	3.3K 5% 1/16W	R8656	1-218-990-81	SHORT CHIP	0
R8554	1-218-937-11	RES-CHIP	47 5% 1/16W	R8657	1-218-977-11	RES-CHIP	100K 5% 1/16W
R8559	1-218-990-81	SHORT CHIP	0	R8659	1-218-965-11	RES-CHIP	10K 5% 1/16W
R8560	1-218-990-81	SHORT CHIP	0	R8664	1-208-705-11	METAL CHIP	8.2K 0.5% 1/16W
R8561	1-218-831-11	METAL CHIP	220 0.5% 1/10W	R8665	1-208-709-11	METAL CHIP	12K 0.5% 1/16W
R8562	1-218-833-11	METAL CHIP	270 0.5% 1/10W	R8666	1-218-973-11	RES-CHIP	47K 5% 1/16W
R8564	1-218-990-81	SHORT CHIP	0	R8667	1-218-953-11	RES-CHIP	1K 5% 1/16W
R8566	1-218-990-81	SHORT CHIP	0	R8668	1-218-973-11	RES-CHIP	47K 5% 1/16W
R8568	1-218-990-81	SHORT CHIP	0	R8670	1-218-961-11	RES-CHIP	4.7K 5% 1/16W
R8569	1-218-990-81	SHORT CHIP	0	R8671	1-218-961-11	RES-CHIP	4.7K 5% 1/16W
R8570	1-218-990-81	SHORT CHIP	0	R8673	1-218-973-11	RES-CHIP	47K 5% 1/16W
R8571	1-218-941-81	RES-CHIP	100 5% 1/16W	R8674	1-218-953-11	RES-CHIP	1K 5% 1/16W
R8601	1-208-705-11	METAL CHIP	8.2K 0.5% 1/16W	R8677	1-218-941-81	RES-CHIP	100 5% 1/16W
R8602	1-208-709-11	METAL CHIP	12K 0.5% 1/16W	R8678	1-218-941-81	RES-CHIP	100 5% 1/16W
R8603	1-218-966-11	RES-CHIP	12K 5% 1/16W	R8679	1-218-973-11	RES-CHIP	47K 5% 1/16W
R8604	1-218-966-11	RES-CHIP	12K 5% 1/16W	R8680	1-218-963-11	RES-CHIP	6.8K 5% 1/16W
R8605	1-218-953-11	RES-CHIP	1K 5% 1/16W	R8681	1-218-966-11	RES-CHIP	12K 5% 1/16W
R8606	1-218-990-81	SHORT CHIP	0	R8682	1-218-959-11	RES-CHIP	3.3K 5% 1/16W
R8607	1-218-990-81	SHORT CHIP	0	R8683	1-218-959-11	RES-CHIP	3.3K 5% 1/16W
R8608	1-218-973-11	RES-CHIP	47K 5% 1/16W	R8685	1-218-937-11	RES-CHIP	47 5% 1/16W
R8609	1-218-973-11	RES-CHIP	47K 5% 1/16W	R8687	1-218-937-11	RES-CHIP	47 5% 1/16W
R8610	1-218-973-11	RES-CHIP	47K 5% 1/16W	R8690	1-218-973-11	RES-CHIP	47K 5% 1/16W
R8611	1-208-709-11	METAL CHIP	12K 0.5% 1/16W	R8691	1-218-973-11	RES-CHIP	47K 5% 1/16W
R8612	1-208-911-11	METAL CHIP	10K 0.5% 1/16W	R8696	1-218-950-11	RES-CHIP	560 5% 1/16W
R8613	1-218-973-11	RES-CHIP	47K 5% 1/16W	R8697	1-218-950-11	RES-CHIP	560 5% 1/16W
R8614	1-218-968-11	RES-CHIP	18K 5% 1/16W	R8698	1-218-959-11	RES-CHIP	3.3K 5% 1/16W
R8615	1-218-961-11	RES-CHIP	4.7K 5% 1/16W	R8699	1-218-959-11	RES-CHIP	3.3K 5% 1/16W
R8616	1-218-961-11	RES-CHIP	4.7K 5% 1/16W	R8702	1-218-959-11	RES-CHIP	3.3K 5% 1/16W
R8617	1-208-911-11	METAL CHIP	10K 0.5% 1/16W	R8703	1-218-959-11	RES-CHIP	3.3K 5% 1/16W
R8618	1-208-709-11	METAL CHIP	12K 0.5% 1/16W	R8714	1-218-990-81	SHORT CHIP	0
R8619	1-218-968-11	RES-CHIP	18K 5% 1/16W	R8715	1-218-990-81	SHORT CHIP	0
R8621	1-218-990-81	SHORT CHIP	0	R8717	1-218-965-11	RES-CHIP	10K 5% 1/16W
				R8719	1-218-965-11	RES-CHIP	10K 5% 1/16W
				R8720	1-216-864-11	SHORT CHIP	0
				R8721	1-218-977-11	RES-CHIP	100K 5% 1/16W

REF. NO.	PART NO.	DESCRIPTION	REMARK	REF. NO.	PART NO.	DESCRIPTION	REMARK
R8722	1-218-973-11	RES-CHIP	47K 5% 1/16W	R8861	1-216-311-00	RES-CHIP	6.8 5% 1/10W
R8723	1-218-969-11	RES-CHIP	22K 5% 1/16W	R8862	1-216-311-00	RES-CHIP	6.8 5% 1/10W
R8724	1-218-977-11	RES-CHIP	100K 5% 1/16W	R8863	1-216-311-00	RES-CHIP	6.8 5% 1/10W
R8725	1-218-949-11	RES-CHIP	470 5% 1/16W	R8864	1-216-311-00	RES-CHIP	6.8 5% 1/10W
R8726	1-218-941-81	RES-CHIP	100 5% 1/16W	R8865	1-216-845-11	METAL CHIP	100K 5% 1/10W
R8727	1-218-989-11	RES-CHIP	1M 5% 1/16W	R8866	1-216-845-11	METAL CHIP	100K 5% 1/10W
R8728	1-218-953-11	RES-CHIP	1K 5% 1/16W	R8867	1-216-845-11	METAL CHIP	100K 5% 1/10W
R8729	1-218-965-11	RES-CHIP	10K 5% 1/16W	R8868	1-216-845-11	METAL CHIP	100K 5% 1/10W
R8730	1-218-965-11	RES-CHIP	10K 5% 1/16W	R8869	1-218-955-11	RES-CHIP	1.5K 5% 1/16W
R8731	1-218-965-11	RES-CHIP	10K 5% 1/16W	R8870	1-218-969-11	RES-CHIP	22K 5% 1/16W
R8734	1-218-961-11	RES-CHIP	4.7K 5% 1/16W	R8871	1-218-977-11	RES-CHIP	100K 5% 1/16W
R8735	1-218-961-11	RES-CHIP	4.7K 5% 1/16W	R8872	1-218-989-11	RES-CHIP	1M 5% 1/16W
R8747	1-218-961-11	RES-CHIP	4.7K 5% 1/16W	R8873	1-216-846-11	METAL CHIP	120K 5% 1/10W
R8748	1-218-961-11	RES-CHIP	4.7K 5% 1/16W	R8874	1-216-846-11	METAL CHIP	120K 5% 1/10W
R8749	1-216-864-11	SHORT CHIP	0	R8875	1-216-833-11	METAL CHIP	10K 5% 1/10W
R8750	1-216-864-11	SHORT CHIP	0	R8876	1-216-845-11	METAL CHIP	100K 5% 1/10W
R8753	1-208-681-11	METAL CHIP	820 0.5% 1/16W	R8877	1-216-845-11	METAL CHIP	100K 5% 1/10W
R8754	1-218-990-81	SHORT CHIP	0	R8878	1-216-864-11	SHORT CHIP	0
R8801	1-216-829-11	METAL CHIP	4.7K 5% 1/10W	R8879	1-216-841-11	METAL CHIP	47K 5% 1/10W
R8802	1-216-864-11	SHORT CHIP	0	R8880	1-218-959-11	RES-CHIP	3.3K 5% 1/16W
R8803	1-218-865-11	METAL CHIP	5.6K 0.5% 1/10W	R8881	1-218-973-11	RES-CHIP	47K 5% 1/16W
R8804	1-216-847-11	METAL CHIP	150K 5% 1/10W	R8885	1-208-927-11	METAL CHIP	47K 0.5% 1/16W
R8805	1-218-855-11	METAL CHIP	2.2K 0.5% 1/10W	R8886	1-208-927-11	METAL CHIP	47K 0.5% 1/16W
R8806	1-218-964-11	RES-CHIP	8.2K 5% 1/16W	R8888	1-208-927-11	METAL CHIP	47K 0.5% 1/16W
R8807	1-218-964-11	RES-CHIP	8.2K 5% 1/16W	R8889	1-208-715-11	METAL CHIP	22K 0.5% 1/16W
R8808	1-218-990-81	SHORT CHIP	0	R8890	1-208-927-11	METAL CHIP	47K 0.5% 1/16W
R8809	1-218-964-11	RES-CHIP	8.2K 5% 1/16W	R8891	1-208-715-11	METAL CHIP	22K 0.5% 1/16W
R8810	1-218-964-11	RES-CHIP	8.2K 5% 1/16W	R8894	1-208-695-11	METAL CHIP	3.3K 0.5% 1/16W
R8811	1-218-990-81	SHORT CHIP	0	R8895	1-208-688-11	METAL CHIP	1.6K 0.5% 1/16W
R8813	1-218-990-81	SHORT CHIP	0	R8896	1-208-688-11	METAL CHIP	1.6K 0.5% 1/16W
R8814	1-218-990-81	SHORT CHIP	0	R8897	1-208-695-11	METAL CHIP	3.3K 0.5% 1/16W
R8816	1-218-977-11	RES-CHIP	100K 5% 1/16W	R8899	1-218-990-81	SHORT CHIP	0
R8817	1-218-977-11	RES-CHIP	100K 5% 1/16W	R8900	1-218-990-81	SHORT CHIP	0
R8818	1-218-990-81	SHORT CHIP	0	R8902	1-218-990-81	SHORT CHIP	0
R8819	1-218-990-81	SHORT CHIP	0	R8903	1-218-990-81	SHORT CHIP	0
R8820	1-218-953-11	RES-CHIP	1K 5% 1/16W	R8904	1-218-969-11	RES-CHIP	22K 5% 1/16W
R8822	1-208-705-11	METAL CHIP	8.2K 0.5% 1/16W	R8905	1-218-973-11	RES-CHIP	47K 5% 1/16W
R8823	1-208-709-11	METAL CHIP	12K 0.5% 1/16W	R8906	1-218-953-11	RES-CHIP	1K 5% 1/16W
R8824	1-208-715-11	METAL CHIP	22K 0.5% 1/16W	R8907	1-218-965-11	RES-CHIP	10K 5% 1/16W
R8825	1-208-715-11	METAL CHIP	22K 0.5% 1/16W	R8908	1-216-864-11	SHORT CHIP	0
R8826	1-218-990-81	SHORT CHIP	0	R8909	1-216-864-11	SHORT CHIP	0
R8827	1-218-990-81	SHORT CHIP	0	R8910	1-216-864-11	SHORT CHIP	0
R8830	1-218-990-81	SHORT CHIP	0	R8911	1-216-864-11	SHORT CHIP	0
R8831	1-218-990-81	SHORT CHIP	0	R8912	1-218-975-11	RES-CHIP	68K 5% 1/16W
R8834	1-218-959-11	RES-CHIP	3.3K 5% 1/16W	R8913	1-218-953-11	RES-CHIP	1K 5% 1/16W
R8836	1-218-990-81	SHORT CHIP	0	R8914	1-218-965-11	RES-CHIP	10K 5% 1/16W
R8837	1-218-990-81	SHORT CHIP	0	R8915	1-218-965-11	RES-CHIP	10K 5% 1/16W
R8838	1-218-973-11	RES-CHIP	47K 5% 1/16W	R8916	1-218-989-11	RES-CHIP	1M 5% 1/16W
R8840	1-208-699-11	METAL CHIP	4.7K 0.5% 1/16W	R8917	1-218-973-11	RES-CHIP	47K 5% 1/16W
R8844	1-216-841-11	METAL CHIP	47K 5% 1/10W	R8920	1-218-964-11	RES-CHIP	8.2K 5% 1/16W
R8846	1-218-867-11	METAL CHIP	6.8K 0.5% 1/10W	R8921	1-218-963-11	RES-CHIP	6.8K 5% 1/16W
R8847	1-218-867-11	METAL CHIP	6.8K 0.5% 1/10W	R8923	1-218-971-11	RES-CHIP	33K 5% 1/16W
R8848	1-218-877-11	METAL CHIP	18K 0.5% 1/10W	R8924	1-218-945-11	RES-CHIP	220 5% 1/16W
R8849	1-218-879-11	METAL CHIP	22K 0.5% 1/10W	R8925	1-218-990-81	SHORT CHIP	0
R8850	1-218-901-11	METAL CHIP	180K 0.5% 1/10W	R8926	1-218-965-11	RES-CHIP	10K 5% 1/16W
R8851	1-218-877-11	METAL CHIP	18K 0.5% 1/10W	R8927	1-216-311-00	RES-CHIP	6.8 5% 1/10W
R8852	1-218-867-11	METAL CHIP	6.8K 0.5% 1/10W	R8928	1-216-311-00	RES-CHIP	6.8 5% 1/10W
R8853	1-218-867-11	METAL CHIP	6.8K 0.5% 1/10W	R8929	1-216-311-00	RES-CHIP	6.8 5% 1/10W
R8854	1-216-833-11	METAL CHIP	10K 5% 1/10W	R8930	1-216-311-00	RES-CHIP	6.8 5% 1/10W
R8855	1-218-891-11	METAL CHIP	68K 0.5% 1/10W	R8933	1-208-681-11	METAL CHIP	820 0.5% 1/16W
R8856	1-218-891-11	METAL CHIP	68K 0.5% 1/10W	R9002	1-216-813-11	METAL CHIP	220 5% 1/10W
R8857	1-216-864-11	SHORT CHIP	0	R9003	1-218-285-11	METAL CHIP	75 5% 1/10W
R8858	1-216-864-11	SHORT CHIP	0	R9004	1-216-813-11	METAL CHIP	220 5% 1/10W
R8859	1-218-958-11	RES-CHIP	2.7K 5% 1/16W	R9005	1-208-675-11	METAL CHIP	470 0.5% 1/16W
R8860	1-218-959-11	RES-CHIP	3.3K 5% 1/16W	R9006	1-216-813-11	METAL CHIP	220 5% 1/10W

REF. NO.	PART NO.	DESCRIPTION		REMARK	REF. NO.	PART NO.	DESCRIPTION		REMARK
R9007	1-216-821-11	METAL CHIP	1K	5%	1/10W	R9084	1-216-851-11	METAL CHIP	330K 5% 1/10W
R9008	1-216-813-11	METAL CHIP	220	5%	1/10W	R9085	1-216-801-11	METAL CHIP	22 5% 1/10W
R9009	1-208-675-11	METAL CHIP	470	0.5%	1/16W	R9086	1-216-813-11	METAL CHIP	220 5% 1/10W
R9010	1-216-813-11	METAL CHIP	220	5%	1/10W	R9087	1-216-813-11	METAL CHIP	220 5% 1/10W
R9011	1-216-815-11	METAL CHIP	330	5%	1/10W	R9088	1-216-805-11	METAL CHIP	47 5% 1/10W
R9012	1-216-815-11	METAL CHIP	330	5%	1/10W	R9089	1-216-805-11	METAL CHIP	47 5% 1/10W
R9014	1-216-813-11	METAL CHIP	220	5%	1/10W	R9090	1-216-829-11	METAL CHIP	4.7K 5% 1/10W
R9015	1-216-864-11	SHORT CHIP	0			R9091	1-216-809-11	METAL CHIP	100 5% 1/10W
R9016	1-216-813-11	METAL CHIP	220	5%	1/10W	R9092	1-216-825-11	METAL CHIP	2.2K 5% 1/10W
R9020	1-216-853-11	METAL CHIP	470K	5%	1/10W	R9093	1-216-813-11	METAL CHIP	220 5% 1/10W
R9021	1-216-853-11	METAL CHIP	470K	5%	1/10W	R9095	1-216-836-11	METAL CHIP	18K 5% 1/10W
R9022	1-216-815-11	METAL CHIP	330	5%	1/10W	R9097	1-216-813-11	METAL CHIP	220 5% 1/10W
R9023	1-216-815-11	METAL CHIP	330	5%	1/10W	R9098	1-216-833-11	METAL CHIP	10K 5% 1/10W
R9024	1-216-801-11	METAL CHIP	22	5%	1/10W	R9099	1-216-825-11	METAL CHIP	2.2K 5% 1/10W
R9025	1-216-801-11	METAL CHIP	22	5%	1/10W	R9100	1-216-813-11	METAL CHIP	220 5% 1/10W
R9026	1-216-801-11	METAL CHIP	22	5%	1/10W	R9101	1-216-833-11	METAL CHIP	10K 5% 1/10W
R9027	1-216-853-11	METAL CHIP	470K	5%	1/10W	R9119	1-218-933-11	RES-CHIP	22 5% 1/16W
R9028	1-216-853-11	METAL CHIP	470K	5%	1/10W	R9120	1-218-933-11	RES-CHIP	22 5% 1/16W
R9029	1-216-813-11	METAL CHIP	220	5%	1/10W	R9121	1-218-933-11	RES-CHIP	22 5% 1/16W
R9030	1-216-813-11	METAL CHIP	220	5%	1/10W	R9124	1-216-813-11	METAL CHIP	220 5% 1/10W
R9031	1-216-813-11	METAL CHIP	220	5%	1/10W	R9125	1-216-813-11	METAL CHIP	220 5% 1/10W
R9035	1-218-285-11	METAL CHIP	75	5%	1/10W	R9126	1-216-813-11	METAL CHIP	220 5% 1/10W
R9036	1-216-836-11	METAL CHIP	18K	5%	1/10W	R9151	1-216-864-11	SHORT CHIP	0
R9039	1-216-813-11	METAL CHIP	220	5%	1/10W	R9157	1-218-990-81	SHORT CHIP	0
R9040	1-216-813-11	METAL CHIP	220	5%	1/10W	R9158	1-218-990-81	SHORT CHIP	0
R9041	1-216-813-11	METAL CHIP	220	5%	1/10W	R9159	1-218-990-81	SHORT CHIP	0
R9043	1-216-853-11	METAL CHIP	470K	5%	1/10W	R9160	1-218-990-81	SHORT CHIP	0
R9044	1-216-853-11	METAL CHIP	470K	5%	1/10W	R9161	1-218-990-81	SHORT CHIP	0
R9045	1-216-813-11	METAL CHIP	220	5%	1/10W	R9162	1-218-990-81	SHORT CHIP	0
R9046	1-216-813-11	METAL CHIP	220	5%	1/10W	R9164	1-218-990-81	SHORT CHIP	0
R9047	1-216-813-11	METAL CHIP	220	5%	1/10W	R9166	1-218-990-81	SHORT CHIP	0
R9048	1-216-821-11	METAL CHIP	1K	5%	1/10W	R9167	1-218-990-81	SHORT CHIP	0
R9050	1-216-813-11	METAL CHIP	220	5%	1/10W	R9168	1-218-990-81	SHORT CHIP	0
R9051	1-216-815-11	METAL CHIP	330	5%	1/10W	R9169	1-218-990-81	SHORT CHIP	0
R9052	1-216-815-11	METAL CHIP	330	5%	1/10W	R9170	1-218-990-81	SHORT CHIP	0
R9053	1-216-813-11	METAL CHIP	220	5%	1/10W	R9171	1-218-990-81	SHORT CHIP	0
R9054	1-216-864-11	SHORT CHIP	0			R9172	1-218-990-81	SHORT CHIP	0
R9055	1-216-864-11	SHORT CHIP	0			R9173	1-218-990-81	SHORT CHIP	0
R9056	1-216-864-11	SHORT CHIP	0			R9174	1-218-990-81	SHORT CHIP	0
R9057	1-216-813-11	METAL CHIP	220	5%	1/10W	R9175	1-218-965-11	RES-CHIP	10K 5% 1/16W
R9059	1-216-815-11	METAL CHIP	330	5%	1/10W	R9176	1-218-990-81	SHORT CHIP	0
R9060	1-216-813-11	METAL CHIP	220	5%	1/10W	R9177	1-218-965-11	RES-CHIP	10K 5% 1/16W
R9061	1-216-815-11	METAL CHIP	330	5%	1/10W	R9178	1-216-864-11	SHORT CHIP	0
R9062	1-216-813-11	METAL CHIP	220	5%	1/10W	R9179	1-216-864-11	SHORT CHIP	0
R9063	1-216-813-11	METAL CHIP	220	5%	1/10W	R9180	1-216-864-11	SHORT CHIP	0
R9064	1-216-813-11	METAL CHIP	220	5%	1/10W	R9181	1-216-864-11	SHORT CHIP	0
R9065	1-216-813-11	METAL CHIP	220	5%	1/10W	R9182	1-216-864-11	SHORT CHIP	0
R9066	1-216-853-11	METAL CHIP	470K	5%	1/10W	R9183	1-216-864-11	SHORT CHIP	0
R9067	1-216-813-11	METAL CHIP	220	5%	1/10W	R9184	1-216-864-11	SHORT CHIP	0
R9068	1-216-853-11	METAL CHIP	470K	5%	1/10W	R9185	1-216-864-11	SHORT CHIP	0
R9069	1-216-813-11	METAL CHIP	220	5%	1/10W	R9186	1-216-864-11	SHORT CHIP	0
R9070	1-216-813-11	METAL CHIP	220	5%	1/10W	R9194	1-218-831-11	METAL CHIP	220 0.5% 1/10W
R9071	1-216-813-11	METAL CHIP	220	5%	1/10W	R9198	1-218-831-11	METAL CHIP	220 0.5% 1/10W
R9072	1-216-853-11	METAL CHIP	470K	5%	1/10W	R9208	1-218-831-11	METAL CHIP	220 0.5% 1/10W
R9073	1-216-853-11	METAL CHIP	470K	5%	1/10W	R9214	1-218-990-81	SHORT CHIP	0
R9074	1-216-809-11	METAL CHIP	100	5%	1/10W	R9215	1-218-990-81	SHORT CHIP	0
R9075	1-216-809-11	METAL CHIP	100	5%	1/10W	R9216	1-218-990-81	SHORT CHIP	0
R9076	1-216-864-11	SHORT CHIP	0			R9217	1-218-990-81	SHORT CHIP	0
R9077	1-216-813-11	METAL CHIP	220	5%	1/10W	R9218	1-218-933-11	RES-CHIP	22 5% 1/16W
R9078	1-216-864-11	SHORT CHIP	0			R9219	1-218-933-11	RES-CHIP	22 5% 1/16W
R9079	1-216-864-11	SHORT CHIP	0			R9223	1-218-941-81	RES-CHIP	100 5% 1/16W
R9080	1-216-813-11	METAL CHIP	220	5%	1/10W	R9234	1-218-933-11	RES-CHIP	22 5% 1/16W
R9081	1-216-801-11	METAL CHIP	22	5%	1/10W	R9240	1-218-990-81	SHORT CHIP	0
R9082	1-216-801-11	METAL CHIP	22	5%	1/10W	R9241	1-218-990-81	SHORT CHIP	0
R9083	1-216-851-11	METAL CHIP	330K	5%	1/10W	R9242	1-218-990-81	SHORT CHIP	0

REF. NO.	PART NO.	DESCRIPTION	REMARK	REF. NO.	PART NO.	DESCRIPTION	REMARK
R9243	1-218-990-81	SHORT CHIP	0	R9346	1-218-933-11	RES-CHIP	22 5% 1/16W
R9244	1-218-990-81	SHORT CHIP	0	R9354	1-218-941-81	RES-CHIP	100 5% 1/16W
R9246	1-218-990-81	SHORT CHIP	0	R9355	1-218-941-81	RES-CHIP	100 5% 1/16W
R9247	1-218-990-81	SHORT CHIP	0	R9356	1-218-941-81	RES-CHIP	100 5% 1/16W
R9249	1-218-990-81	SHORT CHIP	0	R9358	1-218-941-81	RES-CHIP	100 5% 1/16W
R9250	1-218-990-81	SHORT CHIP	0	R9359	1-218-941-81	RES-CHIP	100 5% 1/16W
R9251	1-218-990-81	SHORT CHIP	0	R9360	1-218-941-81	RES-CHIP	100 5% 1/16W
R9252	1-218-990-81	SHORT CHIP	0	R9361	1-218-941-81	RES-CHIP	100 5% 1/16W
R9257	1-218-990-81	SHORT CHIP	0	R9362	1-218-941-81	RES-CHIP	100 5% 1/16W
R9258	1-218-990-81	SHORT CHIP	0	R9363	1-218-941-81	RES-CHIP	100 5% 1/16W
R9259	1-218-990-81	SHORT CHIP	0	R9364	1-218-941-81	RES-CHIP	100 5% 1/16W
R9260	1-218-990-81	SHORT CHIP	0	R9365	1-218-941-81	RES-CHIP	100 5% 1/16W
R9261	1-218-990-81	SHORT CHIP	0	R9366	1-218-941-81	RES-CHIP	100 5% 1/16W
R9262	1-218-990-81	SHORT CHIP	0	R9367	1-218-941-81	RES-CHIP	100 5% 1/16W
R9264	1-218-990-81	SHORT CHIP	0	R9368	1-218-941-81	RES-CHIP	100 5% 1/16W
R9265	1-218-990-81	SHORT CHIP	0	R9369	1-218-941-81	RES-CHIP	100 5% 1/16W
R9266	1-218-990-81	SHORT CHIP	0	R9370	1-218-941-81	RES-CHIP	100 5% 1/16W
R9267	1-218-990-81	SHORT CHIP	0	R9371	1-218-941-81	RES-CHIP	100 5% 1/16W
R9268	1-218-990-81	SHORT CHIP	0	R9372	1-218-941-81	RES-CHIP	100 5% 1/16W
R9270	1-218-990-81	SHORT CHIP	0	R9373	1-218-941-81	RES-CHIP	100 5% 1/16W
R9271	1-218-990-81	SHORT CHIP	0	R9374	1-218-941-81	RES-CHIP	100 5% 1/16W
R9272	1-218-990-81	SHORT CHIP	0	R9375	1-216-057-00	RES-CHIP	2.2K 5% 1/10W
R9273	1-218-990-81	SHORT CHIP	0	R9376	1-218-941-81	RES-CHIP	100 5% 1/16W
R9275	1-218-990-81	SHORT CHIP	0	R9377	1-218-941-81	RES-CHIP	100 5% 1/16W
R9277	1-218-990-81	SHORT CHIP	0	R9378	1-218-941-81	RES-CHIP	100 5% 1/16W
R9278	1-218-990-81	SHORT CHIP	0	R9379	1-218-941-81	RES-CHIP	100 5% 1/16W
R9279	1-218-990-81	SHORT CHIP	0	R9380	1-218-941-81	RES-CHIP	100 5% 1/16W
R9281	1-216-864-11	SHORT CHIP	0	R9381	1-218-941-81	RES-CHIP	100 5% 1/16W
R9282	1-216-864-11	SHORT CHIP	0	R9382	1-218-941-81	RES-CHIP	100 5% 1/16W
R9283	1-218-990-81	SHORT CHIP	0	R9383	1-216-041-00	RES-CHIP	470 5% 1/10W
R9284	1-216-864-11	SHORT CHIP	0	R9384	1-218-941-81	RES-CHIP	100 5% 1/16W
R9285	1-218-990-81	SHORT CHIP	0	R9385	1-218-941-81	RES-CHIP	100 5% 1/16W
R9287	1-216-295-91	SHORT CHIP	0	R9386	1-218-941-81	RES-CHIP	100 5% 1/16W
R9288	1-218-990-81	SHORT CHIP	0	R9387	1-218-941-81	RES-CHIP	100 5% 1/16W
R9289	1-218-990-81	SHORT CHIP	0	R9388	1-218-941-81	RES-CHIP	100 5% 1/16W
R9290	1-218-990-81	SHORT CHIP	0	R9389	1-218-941-81	RES-CHIP	100 5% 1/16W
R9291	1-216-295-91	SHORT CHIP	0	R9390	1-216-041-00	RES-CHIP	470 5% 1/10W
R9294	1-218-990-81	SHORT CHIP	0	R9391	1-218-941-81	RES-CHIP	100 5% 1/16W
R9295	1-218-990-81	SHORT CHIP	0	R9392	1-218-941-81	RES-CHIP	100 5% 1/16W
R9296	1-218-990-81	SHORT CHIP	0	R9393	1-218-941-81	RES-CHIP	100 5% 1/16W
R9297	1-218-990-81	SHORT CHIP	0	R9394	1-218-941-81	RES-CHIP	100 5% 1/16W
R9298	1-218-990-81	SHORT CHIP	0	R9395	1-218-975-11	RES-CHIP	68K 5% 1/16W
R9299	1-218-990-81	SHORT CHIP	0	R9396	1-218-975-11	RES-CHIP	68K 5% 1/16W
R9300	1-218-990-81	SHORT CHIP	0	R9397	1-218-941-81	RES-CHIP	100 5% 1/16W
R9301	1-218-990-81	SHORT CHIP	0	R9398	1-218-941-81	RES-CHIP	100 5% 1/16W
R9302	1-218-990-81	SHORT CHIP	0	R9399	1-218-941-81	RES-CHIP	100 5% 1/16W
R9303	1-218-990-81	SHORT CHIP	0	R9400	1-216-041-00	RES-CHIP	470 5% 1/10W
R9304	1-218-990-81	SHORT CHIP	0	R9401	1-218-941-81	RES-CHIP	100 5% 1/16W
R9305	1-218-990-81	SHORT CHIP	0	R9402	1-216-041-00	RES-CHIP	470 5% 1/10W
R9308	1-218-990-81	SHORT CHIP	0	R9403	1-218-941-81	RES-CHIP	100 5% 1/16W
R9311	1-216-295-91	SHORT CHIP	0	R9404	1-216-864-11	SHORT CHIP	0
R9313	1-218-827-11	METAL CHIP	150 0.5% 1/10W	R9405	1-216-057-00	RES-CHIP	2.2K 5% 1/10W
R9314	1-218-827-11	METAL CHIP	150 0.5% 1/10W	R9406	1-216-041-00	RES-CHIP	470 5% 1/10W
R9315	1-218-827-11	METAL CHIP	150 0.5% 1/10W	R9407	1-208-911-11	METAL CHIP	10K 0.5% 1/16W
R9316	1-218-827-11	METAL CHIP	150 0.5% 1/10W	R9408	1-218-941-81	RES-CHIP	100 5% 1/16W
R9317	1-218-827-11	METAL CHIP	150 0.5% 1/10W	R9409	1-218-941-81	RES-CHIP	100 5% 1/16W
R9318	1-218-827-11	METAL CHIP	150 0.5% 1/10W	R9410	1-218-941-81	RES-CHIP	100 5% 1/16W
R9319	1-216-815-11	METAL CHIP	330 5% 1/10W	R9411	1-218-941-81	RES-CHIP	100 5% 1/16W
R9320	1-216-815-11	METAL CHIP	330 5% 1/10W	R9412	1-218-937-11	RES-CHIP	47 5% 1/16W
R9321	1-218-827-11	METAL CHIP	150 0.5% 1/10W	R9413	1-218-941-81	RES-CHIP	100 5% 1/16W
R9322	1-218-827-11	METAL CHIP	150 0.5% 1/10W	R9414	1-218-941-81	RES-CHIP	100 5% 1/16W
R9323	1-218-827-11	METAL CHIP	150 0.5% 1/10W	R9415	1-218-937-11	RES-CHIP	47 5% 1/16W
R9324	1-218-827-11	METAL CHIP	150 0.5% 1/10W	R9416	1-211-973-11	METAL CHIP	15 0.5% 1/10W
R9325	1-216-853-11	METAL CHIP	470K 5% 1/10W	R9417	1-211-973-11	METAL CHIP	15 0.5% 1/10W
R9326	1-216-853-11	METAL CHIP	470K 5% 1/10W	R9418	1-211-973-11	METAL CHIP	15 0.5% 1/10W

REF. NO.	PART NO.	DESCRIPTION	REMARK	REF. NO.	PART NO.	DESCRIPTION	REMARK
R9419	1-218-843-11	METAL CHIP	680 0.5% 1/10W	R9496	1-218-961-11	RES-CHIP	4.7K 5% 1/16W
R9420	1-218-845-11	METAL CHIP	820 0.5% 1/10W	R9498	1-218-839-11	METAL CHIP	470 0.5% 1/10W
R9421	1-218-953-11	RES-CHIP	1K 5% 1/16W	R9499	1-218-839-11	METAL CHIP	470 0.5% 1/10W
R9422	1-218-829-11	METAL CHIP	180 0.5% 1/10W	R9500	1-218-839-11	METAL CHIP	470 0.5% 1/10W
R9423	1-218-835-11	METAL CHIP	330 0.5% 1/10W	R9501	1-218-961-11	RES-CHIP	4.7K 5% 1/16W
R9424	1-218-957-11	RES-CHIP	2.2K 5% 1/16W	R9502	1-218-961-11	RES-CHIP	4.7K 5% 1/16W
R9425	1-218-953-11	RES-CHIP	1K 5% 1/16W	R9503	1-218-961-11	RES-CHIP	4.7K 5% 1/16W
R9426	1-218-965-11	RES-CHIP	10K 5% 1/16W	R9504	1-218-961-11	RES-CHIP	4.7K 5% 1/16W
R9427	1-218-845-11	METAL CHIP	820 0.5% 1/10W	R9505	1-218-847-11	METAL CHIP	1K 0.5% 1/10W
R9428	1-218-829-11	METAL CHIP	180 0.5% 1/10W	R9551	1-218-965-11	RES-CHIP	10K 5% 1/16W
R9429	1-211-977-11	METAL CHIP	22 0.5% 1/10W	R9552	1-218-965-11	RES-CHIP	10K 5% 1/16W
R9430	1-218-845-11	METAL CHIP	820 0.5% 1/10W	R9556	1-218-953-11	RES-CHIP	1K 5% 1/16W
R9431	1-218-829-11	METAL CHIP	180 0.5% 1/10W	R9557	1-218-965-11	RES-CHIP	10K 5% 1/16W
R9432	1-211-977-11	METAL CHIP	22 0.5% 1/10W	R9561	1-208-927-11	METAL CHIP	47K 0.5% 1/16W
R9433	1-211-990-11	METAL CHIP	75 0.5% 1/10W	R9565	1-218-985-11	RES-CHIP	470K 5% 1/16W
R9434	1-211-990-11	METAL CHIP	75 0.5% 1/10W	R9569	1-218-967-11	RES-CHIP	15K 5% 1/16W
R9435	1-211-990-11	METAL CHIP	75 0.5% 1/10W	R9572	1-218-969-11	RES-CHIP	22K 5% 1/16W
R9439	1-218-941-81	RES-CHIP	100 5% 1/16W	R9574	1-208-911-11	METAL CHIP	10K 0.5% 1/16W
R9440	1-216-864-11	SHORT CHIP	0	R9575	1-208-941-11	METAL CHIP	180K 0.5% 1/16W
R9441	1-216-864-11	SHORT CHIP	0	R9576	1-208-927-11	METAL CHIP	47K 0.5% 1/16W
R9442	1-218-983-11	RES-CHIP	330K 5% 1/16W	R9577	1-208-711-11	METAL CHIP	15K 0.5% 1/16W
R9443	1-218-983-11	RES-CHIP	330K 5% 1/16W	R9578	1-208-911-11	METAL CHIP	10K 0.5% 1/16W
R9444	1-218-983-11	RES-CHIP	330K 5% 1/16W	R9582	1-208-699-11	METAL CHIP	4.7K 0.5% 1/16W
R9445	1-218-941-81	RES-CHIP	100 5% 1/16W	R9583	1-216-799-11	METAL CHIP	15 5% 1/10W
R9446	1-216-864-11	SHORT CHIP	0	R9584	1-216-799-11	METAL CHIP	15 5% 1/10W
R9447	1-216-864-11	SHORT CHIP	0	R9585	1-216-799-11	METAL CHIP	15 5% 1/10W
R9448	1-216-864-11	SHORT CHIP	0	R9593	1-208-911-11	METAL CHIP	10K 0.5% 1/16W
R9449	1-218-941-81	RES-CHIP	100 5% 1/16W	R9594	1-208-935-11	METAL CHIP	100K 0.5% 1/16W
R9450	1-218-941-81	RES-CHIP	100 5% 1/16W	R9595	1-208-927-11	METAL CHIP	47K 0.5% 1/16W
R9451	1-218-941-81	RES-CHIP	100 5% 1/16W	R9596	1-218-959-11	RES-CHIP	3.3K 5% 1/16W
R9452	1-218-941-81	RES-CHIP	100 5% 1/16W	R9597	1-218-985-11	RES-CHIP	470K 5% 1/16W
R9456	1-216-864-11	SHORT CHIP	0	R9599	1-218-967-11	RES-CHIP	15K 5% 1/16W
R9458	1-216-864-11	SHORT CHIP	0	R9601	1-216-805-11	METAL CHIP	47 5% 1/10W
R9460	1-218-990-81	SHORT CHIP	0	R9602	1-216-843-11	METAL CHIP	68K 5% 1/10W
R9461	1-218-990-81	SHORT CHIP	0	R9603	1-218-965-11	RES-CHIP	10K 5% 1/16W
R9462	1-218-990-81	SHORT CHIP	0	R9605	1-216-821-11	METAL CHIP	1K 5% 1/10W
R9463	1-211-977-11	METAL CHIP	22 0.5% 1/10W	R9606	1-218-990-81	SHORT CHIP	0
R9464	1-211-977-11	METAL CHIP	22 0.5% 1/10W	R9610	1-218-965-11	RES-CHIP	10K 5% 1/16W
R9465	1-211-977-11	METAL CHIP	22 0.5% 1/10W	R9612	1-218-990-81	SHORT CHIP	0
R9466	1-216-864-11	SHORT CHIP	0	R9614	1-208-699-11	METAL CHIP	4.7K 0.5% 1/16W
R9467	1-211-977-11	METAL CHIP	22 0.5% 1/10W	R9615	1-208-661-11	METAL CHIP	120 0.5% 1/16W
R9468	1-216-864-11	SHORT CHIP	0	R9616	1-208-683-11	METAL CHIP	1K 0.5% 1/16W
R9469	1-216-864-11	SHORT CHIP	0	R9617	1-208-683-11	METAL CHIP	1K 0.5% 1/16W
R9470	1-218-835-11	METAL CHIP	330 0.5% 1/10W	R9631	1-218-990-81	SHORT CHIP	0
R9471	1-218-835-11	METAL CHIP	330 0.5% 1/10W	R9632	1-216-843-11	METAL CHIP	68K 5% 1/10W
R9472	1-218-968-11	RES-CHIP	18K 5% 1/16W	R9701	1-218-977-11	RES-CHIP	100K 5% 1/16W
R9473	1-218-961-11	RES-CHIP	4.7K 5% 1/16W	R9702	1-218-965-11	RES-CHIP	10K 5% 1/16W
R9474	1-218-949-11	RES-CHIP	470 5% 1/16W	R9703	1-218-965-11	RES-CHIP	10K 5% 1/16W
R9475	1-216-041-00	RES-CHIP	470 5% 1/10W	R9704	1-218-953-11	RES-CHIP	1K 5% 1/16W
R9476	1-218-953-11	RES-CHIP	1K 5% 1/16W	R9705	1-218-965-11	RES-CHIP	10K 5% 1/16W
R9479	1-218-893-11	METAL CHIP	82K 0.5% 1/10W	R9706	1-218-965-11	RES-CHIP	10K 5% 1/16W
R9480	1-218-893-11	METAL CHIP	82K 0.5% 1/10W	R9707	1-216-864-11	SHORT CHIP	0
R9481	1-218-893-11	METAL CHIP	82K 0.5% 1/10W	R9708	1-218-965-11	RES-CHIP	10K 5% 1/16W
R9482	1-218-881-11	METAL CHIP	27K 0.5% 1/10W	R9709	1-218-965-11	RES-CHIP	10K 5% 1/16W
R9483	1-218-881-11	METAL CHIP	27K 0.5% 1/10W	R9710	1-218-990-81	SHORT CHIP	0
R9484	1-218-881-11	METAL CHIP	27K 0.5% 1/10W	R9711	1-218-965-11	RES-CHIP	10K 5% 1/16W
R9485	1-216-821-11	METAL CHIP	1K 5% 1/10W	R9712	1-218-965-11	RES-CHIP	10K 5% 1/16W
R9486	1-216-821-11	METAL CHIP	1K 5% 1/10W	R9713	1-218-965-11	RES-CHIP	10K 5% 1/16W
R9487	1-216-821-11	METAL CHIP	1K 5% 1/10W	R9714	1-216-864-11	SHORT CHIP	0
R9488	1-216-864-11	SHORT CHIP	0	R9716	1-218-965-11	RES-CHIP	10K 5% 1/16W
R9489	1-216-864-11	SHORT CHIP	0	R9717	1-218-977-11	RES-CHIP	100K 5% 1/16W
R9492	1-216-864-11	SHORT CHIP	0	R9718	1-218-965-11	RES-CHIP	10K 5% 1/16W
R9493	1-216-864-11	SHORT CHIP	0	R9719	1-216-864-11	SHORT CHIP	0
R9494	1-216-864-11	SHORT CHIP	0	R9721	1-216-825-11	METAL CHIP	2.2K 5% 1/10W
R9495	1-218-957-11	RES-CHIP	2.2K 5% 1/16W	R9722	1-218-941-81	RES-CHIP	100 5% 1/16W

REF. NO.	PART NO.	DESCRIPTION			REMARK	REF. NO.	PART NO.	DESCRIPTION			REMARK
R9723	1-218-961-11	RES-CHIP	4.7K	5%	1/16W	R9811	1-218-941-81	RES-CHIP	100	5%	1/16W
R9726	1-216-809-11	METAL CHIP	100	5%	1/10W	R9813	1-218-937-11	RES-CHIP	47	5%	1/16W
R9728	1-218-990-81	SHORT CHIP	0			R9814	1-218-941-81	RES-CHIP	100	5%	1/16W
R9732	1-218-969-11	RES-CHIP	22K	5%	1/16W	R9816	1-218-937-11	RES-CHIP	47	5%	1/16W
R9733	1-218-965-11	RES-CHIP	10K	5%	1/16W	R9817	1-218-941-81	RES-CHIP	100	5%	1/16W
R9734	1-218-965-11	RES-CHIP	10K	5%	1/16W	R9818	1-218-961-11	RES-CHIP	4.7K	5%	1/16W
R9735	1-218-855-11	METAL CHIP	2.2K	0.5%	1/10W	R9819	1-218-937-11	RES-CHIP	47	5%	1/16W
R9736	1-216-864-11	SHORT CHIP	0			R9821	1-218-990-81	SHORT CHIP	0		
R9739	1-218-977-11	RES-CHIP	100K	5%	1/16W	R9822	1-218-961-11	RES-CHIP	4.7K	5%	1/16W
R9740	1-216-829-11	METAL CHIP	4.7K	5%	1/10W	R9823	1-218-941-81	RES-CHIP	100	5%	1/16W
R9741	1-216-813-11	METAL CHIP	220	5%	1/10W	R9824	1-218-965-11	RES-CHIP	10K	5%	1/16W
R9742	1-218-945-11	RES-CHIP	220	5%	1/16W	R9825	1-218-965-11	RES-CHIP	10K	5%	1/16W
R9747	1-218-965-11	RES-CHIP	10K	5%	1/16W	R9826	1-218-941-81	RES-CHIP	100	5%	1/16W
R9748	1-218-990-81	SHORT CHIP	0			R9827	1-218-941-81	RES-CHIP	100	5%	1/16W
R9751	1-218-965-11	RES-CHIP	10K	5%	1/16W	R9828	1-218-965-11	RES-CHIP	10K	5%	1/16W
R9752	1-216-857-11	METAL CHIP	1M	5%	1/10W	R9829	1-218-941-81	RES-CHIP	100	5%	1/16W
R9753	1-218-941-81	RES-CHIP	100	5%	1/16W	R9830	1-218-941-81	RES-CHIP	100	5%	1/16W
R9754	1-218-941-81	RES-CHIP	100	5%	1/16W	R9831	1-218-965-11	RES-CHIP	10K	5%	1/16W
R9755	1-218-941-81	RES-CHIP	100	5%	1/16W	R9832	1-218-941-81	RES-CHIP	100	5%	1/16W
R9756	1-218-941-81	RES-CHIP	100	5%	1/16W	R9833	1-218-941-81	RES-CHIP	100	5%	1/16W
R9757	1-218-941-81	RES-CHIP	100	5%	1/16W	R9834	1-218-941-81	RES-CHIP	100	5%	1/16W
R9758	1-218-941-81	RES-CHIP	100	5%	1/16W	R9835	1-218-941-81	RES-CHIP	100	5%	1/16W
R9759	1-218-941-81	RES-CHIP	100	5%	1/16W	R9836	1-218-965-11	RES-CHIP	10K	5%	1/16W
R9760	1-218-941-81	RES-CHIP	100	5%	1/16W	R9837	1-218-941-81	RES-CHIP	100	5%	1/16W
R9761	1-218-941-81	RES-CHIP	100	5%	1/16W	R9838	1-218-941-81	RES-CHIP	100	5%	1/16W
R9762	1-218-965-11	RES-CHIP	10K	5%	1/16W	R9839	1-218-965-11	RES-CHIP	10K	5%	1/16W
R9763	1-218-965-11	RES-CHIP	10K	5%	1/16W	R9840	1-218-941-81	RES-CHIP	100	5%	1/16W
R9765	1-216-815-11	METAL CHIP	330	5%	1/10W	R9841	1-218-941-81	RES-CHIP	100	5%	1/16W
R9766	1-218-965-11	RES-CHIP	10K	5%	1/16W	R9842	1-218-941-81	RES-CHIP	100	5%	1/16W
R9767	1-216-864-11	SHORT CHIP	0			R9843	1-218-941-81	RES-CHIP	100	5%	1/16W
R9768	1-216-833-11	METAL CHIP	10K	5%	1/10W	R9844	1-218-965-11	RES-CHIP	10K	5%	1/16W
R9770	1-216-864-11	SHORT CHIP	0			R9845	1-218-941-81	RES-CHIP	100	5%	1/16W
R9772	1-218-941-81	RES-CHIP	100	5%	1/16W	R9846	1-218-941-81	RES-CHIP	100	5%	1/16W
R9773	1-218-941-81	RES-CHIP	100	5%	1/16W	R9847	1-208-691-11	METAL CHIP	2.2K	0.5%	1/16W
R9774	1-218-941-81	RES-CHIP	100	5%	1/16W	R9848	1-218-965-11	RES-CHIP	10K	5%	1/16W
R9775	1-218-941-81	RES-CHIP	100	5%	1/16W	R9849	1-218-941-81	RES-CHIP	100	5%	1/16W
R9776	1-218-941-81	RES-CHIP	100	5%	1/16W	R9850	1-218-953-11	RES-CHIP	1K	5%	1/16W
R9777	1-218-941-81	RES-CHIP	100	5%	1/16W	R9851	1-218-941-81	RES-CHIP	100	5%	1/16W
R9778	1-218-941-81	RES-CHIP	100	5%	1/16W	R9852	1-218-941-81	RES-CHIP	100	5%	1/16W
R9779	1-218-941-81	RES-CHIP	100	5%	1/16W	R9853	1-218-965-11	RES-CHIP	10K	5%	1/16W
R9780	1-218-941-81	RES-CHIP	100	5%	1/16W	R9854	1-218-941-81	RES-CHIP	100	5%	1/16W
R9781	1-218-941-81	RES-CHIP	100	5%	1/16W	R9855	1-218-941-81	RES-CHIP	100	5%	1/16W
R9782	1-218-941-81	RES-CHIP	100	5%	1/16W	R9856	1-218-965-11	RES-CHIP	10K	5%	1/16W
R9783	1-218-965-11	RES-CHIP	10K	5%	1/16W	R9857	1-218-965-11	RES-CHIP	10K	5%	1/16W
R9784	1-218-965-11	RES-CHIP	10K	5%	1/16W	R9858	1-218-933-11	RES-CHIP	22	5%	1/16W
R9785	1-218-953-11	RES-CHIP	1K	5%	1/16W	R9859	1-218-933-11	RES-CHIP	22	5%	1/16W
R9786	1-218-941-81	RES-CHIP	100	5%	1/16W	R9860	1-218-941-81	RES-CHIP	100	5%	1/16W
R9790	1-216-825-11	METAL CHIP	2.2K	5%	1/10W	R9861	1-218-941-81	RES-CHIP	100	5%	1/16W
R9791	1-216-837-11	METAL CHIP	22K	5%	1/10W	R9862	1-218-973-11	RES-CHIP	47K	5%	1/16W
R9792	1-216-837-11	METAL CHIP	22K	5%	1/10W	R9863	1-218-941-81	RES-CHIP	100	5%	1/16W
R9793	1-218-941-81	RES-CHIP	100	5%	1/16W	R9864	1-218-965-11	RES-CHIP	10K	5%	1/16W
R9795	1-218-965-11	RES-CHIP	10K	5%	1/16W	R9865	1-218-941-81	RES-CHIP	100	5%	1/16W
R9796	1-218-953-11	RES-CHIP	1K	5%	1/16W	R9866	1-218-965-11	RES-CHIP	10K	5%	1/16W
R9797	1-216-821-11	METAL CHIP	1K	5%	1/10W	R9867	1-218-965-11	RES-CHIP	10K	5%	1/16W
R9798	1-218-941-81	RES-CHIP	100	5%	1/16W	R9868	1-218-965-11	RES-CHIP	10K	5%	1/16W
R9799	1-218-941-81	RES-CHIP	100	5%	1/16W	R9871	1-218-965-11	RES-CHIP	10K	5%	1/16W
R9800	1-216-864-11	SHORT CHIP	0			R9873	1-218-965-11	RES-CHIP	10K	5%	1/16W
R9803	1-218-937-11	RES-CHIP	47	5%	1/16W	R9874	1-218-941-81	RES-CHIP	100	5%	1/16W
R9804	1-218-937-11	RES-CHIP	47	5%	1/16W	R9875	1-218-941-81	RES-CHIP	100	5%	1/16W
R9805	1-218-937-11	RES-CHIP	47	5%	1/16W	R9876	1-218-941-81	RES-CHIP	100	5%	1/16W
R9806	1-218-937-11	RES-CHIP	47	5%	1/16W	R9878	1-218-953-11	RES-CHIP	1K	5%	1/16W
R9807	1-218-937-11	RES-CHIP	47	5%	1/16W	R9879	1-218-953-11	RES-CHIP	1K	5%	1/16W
R9808	1-218-937-11	RES-CHIP	47	5%	1/16W	R9880	1-218-941-81	RES-CHIP	100	5%	1/16W
R9809	1-218-941-81	RES-CHIP	100	5%	1/16W	R9881	1-218-941-81	RES-CHIP	100	5%	1/16W
R9810	1-218-937-11	RES-CHIP	47	5%	1/16W	R9882	1-218-953-11	RES-CHIP	1K	5%	1/16W

REF. NO.	PART NO.	DESCRIPTION	REMARK	REF. NO.	PART NO.	DESCRIPTION	REMARK
R9885	1-218-990-81	SHORT CHIP	0			<VARISTOR>	
R9887	1-218-990-81	SHORT CHIP	0				
R9889	1-218-965-11	RES-CHIP	10K	5%	1/16W	VD9001	1-803-974-21 VARISTOR, CHIP (1608)
R9890	1-218-941-81	RES-CHIP	100	5%	1/16W	VD9002	1-803-974-21 VARISTOR, CHIP (1608)
R9891	1-218-990-81	SHORT CHIP	0			VD9003	1-803-974-21 VARISTOR, CHIP (1608)
R9892	1-218-965-11	RES-CHIP	10K	5%	1/16W	VD9004	1-803-974-21 VARISTOR, CHIP (1608)
R9894	1-218-990-81	SHORT CHIP	0			VD9005	1-803-974-21 VARISTOR, CHIP (1608)
R9895	1-218-941-81	RES-CHIP	100	5%	1/16W	VD9006	1-803-974-21 VARISTOR, CHIP (1608)
R9896	1-208-683-11	METAL CHIP	1K	0.5%	1/16W	VD9007	1-803-974-21 VARISTOR, CHIP (1608)
R9897	1-208-683-11	METAL CHIP	1K	0.5%	1/16W	VD9008	1-803-974-21 VARISTOR, CHIP (1608)
R9898	1-218-949-11	RES-CHIP	470	5%	1/16W	VD9011	1-803-974-21 VARISTOR, CHIP (1608)
R9900	1-218-949-11	RES-CHIP	470	5%	1/16W	VD9012	1-803-974-21 VARISTOR, CHIP (1608)
R9901	1-218-990-81	SHORT CHIP	0			VD9013	1-803-974-21 VARISTOR, CHIP (1608)
R9902	1-218-990-81	SHORT CHIP	0			VD9014	1-803-974-21 VARISTOR, CHIP (1608)
R9903	1-218-949-11	RES-CHIP	470	5%	1/16W	VD9015	1-803-974-21 VARISTOR, CHIP (1608)
R9904	1-218-990-81	SHORT CHIP	0			VD9016	1-803-974-21 VARISTOR, CHIP (1608)
R9906	1-218-949-11	RES-CHIP	470	5%	1/16W	VD9017	1-803-974-21 VARISTOR, CHIP (1608)
R9907	1-218-961-11	RES-CHIP	4.7K	5%	1/16W	VD9018	1-803-974-21 VARISTOR, CHIP (1608)
R9911	1-218-990-81	SHORT CHIP	0			VD9019	1-803-974-21 VARISTOR, CHIP (1608)
R9924	1-218-990-81	SHORT CHIP	0			VD9020	1-803-974-21 VARISTOR, CHIP (1608)
R9925	1-218-965-11	RES-CHIP	10K	5%	1/16W	VD9021	1-803-974-21 VARISTOR, CHIP (1608)
R9933	1-216-864-11	SHORT CHIP	0			VD9022	1-803-974-21 VARISTOR, CHIP (1608)
R9936	1-218-961-11	RES-CHIP	4.7K	5%	1/16W	VD9023	1-803-974-21 VARISTOR, CHIP (1608)
R9939	1-218-961-11	RES-CHIP	4.7K	5%	1/16W	VD9024	1-803-974-21 VARISTOR, CHIP (1608)
R9940	1-218-990-81	SHORT CHIP	0			VD9025	1-803-974-21 VARISTOR, CHIP (1608)
R9946	1-218-961-11	RES-CHIP	4.7K	5%	1/16W	VD9026	1-803-974-21 VARISTOR, CHIP (1608)
R9947	1-218-961-11	RES-CHIP	4.7K	5%	1/16W	VD9027	1-803-974-21 VARISTOR, CHIP (1608)
R9948	1-218-933-11	RES-CHIP	22	5%	1/16W	VD9028	1-803-974-21 VARISTOR, CHIP (1608)
R9949	1-218-933-11	RES-CHIP	22	5%	1/16W	VD9029	1-803-974-21 VARISTOR, CHIP (1608)
R9951	1-218-933-11	RES-CHIP	22	5%	1/16W	VD9030	1-803-974-21 VARISTOR, CHIP (1608)
R9952	1-218-933-11	RES-CHIP	22	5%	1/16W	VD9031	1-803-974-21 VARISTOR, CHIP (1608)
R9954	1-218-933-11	RES-CHIP	22	5%	1/16W	VD9032	1-803-974-21 VARISTOR, CHIP (1608)
R9955	1-218-933-11	RES-CHIP	22	5%	1/16W	VD9701	1-803-974-21 VARISTOR, CHIP (1608)
R9956	1-218-965-11	RES-CHIP	10K	5%	1/16W	VD9702	1-803-974-21 VARISTOR, CHIP (1608)
R9957	1-218-941-81	RES-CHIP	100	5%	1/16W	VD9703	1-803-974-21 VARISTOR, CHIP (1608)
R9959	1-218-990-81	SHORT CHIP	0			VD9704	1-803-974-21 VARISTOR, CHIP (1608)
R9961	1-216-864-11	SHORT CHIP	0			VD9705	1-803-974-21 VARISTOR, CHIP (1608)
R9963	1-216-864-11	SHORT CHIP	0			VD9706	1-803-974-21 VARISTOR, CHIP (1608)
R9971	1-218-855-11	METAL CHIP	2.2K	0.5%	1/10W	VD9710	1-803-974-21 VARISTOR, CHIP (1608)
R9972	1-216-864-11	SHORT CHIP	0			VD9711	1-803-974-21 VARISTOR, CHIP (1608)
R9973	1-216-809-11	METAL CHIP	100	5%	1/10W	VD9712	1-803-974-21 VARISTOR, CHIP (1608)
R9979	1-216-815-11	METAL CHIP	330	5%	1/10W	VD9715	1-803-974-21 VARISTOR, CHIP (1608)
R9981	1-216-864-11	SHORT CHIP	0			VD9716	1-803-974-21 VARISTOR, CHIP (1608)
R9987	1-218-933-11	RES-CHIP	22	5%	1/16W	VD9717	1-803-974-21 VARISTOR, CHIP (1608)
R9988	1-218-933-11	RES-CHIP	22	5%	1/16W	VD9718	1-803-974-21 VARISTOR, CHIP (1608)
R9994	1-218-965-11	RES-CHIP	10K	5%	1/16W		
R9995	1-218-965-11	RES-CHIP	10K	5%	1/16W		
R9996	1-218-990-81	SHORT CHIP	0				<CRYSTAL>
R9997	1-218-990-81	SHORT CHIP	0			X8402	1-795-612-11 VIBRATOR, CRYSTAL
R9998	1-218-990-81	SHORT CHIP	0			X9351	1-813-124-21 VIBRATOR, CERAMIC
						X9701	1-813-784-21 VIBRATOR, CRYSTAL
						X9702	1-813-070-21 PIEZOELECTRIC OSCILLATOR

							A-1219-681-A FXE COMPL


							<CAPACITOR>
RB8401	1-234-372-11	RES, NETWORK 100 (1005X4)				C7100	1-117-720-11 CERAMIC CHIP 4.7UF 10V
RB8402	1-234-372-11	RES, NETWORK 100 (1005X4)				C7101	1-117-720-11 CERAMIC CHIP 4.7UF 10V
RB8403	1-234-372-11	RES, NETWORK 100 (1005X4)				C7102	1-100-907-11 CERAMIC CHIP 0.1UF 10% 10V
RB8404	1-234-372-11	RES, NETWORK 100 (1005X4)				C7103	1-100-907-11 CERAMIC CHIP 0.1UF 10% 10V
RB8405	1-234-372-11	RES, NETWORK 100 (1005X4)				C7104	1-100-907-11 CERAMIC CHIP 0.1UF 10% 10V
RB8406	1-234-372-11	RES, NETWORK 100 (1005X4)					
RB8407	1-234-372-11	RES, NETWORK 100 (1005X4)					
RB9702	1-234-372-11	RES, NETWORK 100 (1005X4)					
RB9703	1-234-372-11	RES, NETWORK 100 (1005X4)					
RB9704	1-234-372-11	RES, NETWORK 100 (1005X4)					
RB9705	1-234-378-21	RES, NETWORK 10K (1005X4)					
RB9706	1-234-378-21	RES, NETWORK 10K (1005X4)					



REF. NO.	PART NO.	DESCRIPTION	REMARK	REF. NO.	PART NO.	DESCRIPTION	REMARK
C7105	1-100-907-11	CERAMIC CHIP 0.1UF	10% 10V	C7524	1-100-911-11	CERAMIC CHIP 4.7UF	10% 25V
C7106	1-100-907-11	CERAMIC CHIP 0.1UF	10% 10V	C7525	1-162-966-11	CERAMIC CHIP 0.0022UF	10.00% 50V
C7107	1-100-907-11	CERAMIC CHIP 0.1UF	10% 10V	C7527	1-100-911-11	CERAMIC CHIP 4.7UF	10% 25V
C7108	1-100-907-11	CERAMIC CHIP 0.1UF	10% 10V	C7528	1-125-891-11	CERAMIC CHIP 0.47UF	10.00% 10V
C7109	1-100-907-11	CERAMIC CHIP 0.1UF	10% 10V	C7530	1-100-907-11	CERAMIC CHIP 0.1UF	10% 10V
C7110	1-100-907-11	CERAMIC CHIP 0.1UF	10% 10V	C7531	1-112-066-11	CERAMIC CHIP 10UF	10% 10V
C7111	1-100-907-11	CERAMIC CHIP 0.1UF	10% 10V	C7532	1-165-989-11	CERAMIC CHIP 10UF	10% 6.3V
C7112	1-100-907-11	CERAMIC CHIP 0.1UF	10% 10V	C7533	1-165-989-11	CERAMIC CHIP 10UF	10% 6.3V
C7113	1-100-907-11	CERAMIC CHIP 0.1UF	10% 10V	C7534	1-165-989-11	CERAMIC CHIP 10UF	10% 6.3V
C7114	1-100-907-11	CERAMIC CHIP 0.1UF	10% 10V	C7535	1-165-989-11	CERAMIC CHIP 10UF	10% 6.3V
C7115	1-117-720-11	CERAMIC CHIP 4.7UF	10V	C7536	1-165-989-11	CERAMIC CHIP 10UF	10% 6.3V
C7116	1-117-720-11	CERAMIC CHIP 4.7UF	10V	C7537	1-165-989-11	CERAMIC CHIP 10UF	10% 6.3V
C7117	1-100-907-11	CERAMIC CHIP 0.1UF	10% 10V	C7538	1-165-989-11	CERAMIC CHIP 10UF	10% 6.3V
C7118	1-100-907-11	CERAMIC CHIP 0.1UF	10% 10V	C7539	1-165-989-11	CERAMIC CHIP 10UF	10% 6.3V
C7119	1-100-907-11	CERAMIC CHIP 0.1UF	10% 10V	C7545	1-100-597-91	CERAMIC CHIP 0.1UF	10% 25V
C7120	1-100-907-11	CERAMIC CHIP 0.1UF	10% 10V	C7546	1-100-911-11	CERAMIC CHIP 4.7UF	10% 25V
C7121	1-100-907-11	CERAMIC CHIP 0.1UF	10% 10V	C7549	1-100-597-91	CERAMIC CHIP 0.1UF	10% 25V
C7122	1-100-907-11	CERAMIC CHIP 0.1UF	10% 10V	C7550	1-100-597-91	CERAMIC CHIP 0.1UF	10% 25V
C7123	1-100-907-11	CERAMIC CHIP 0.1UF	10% 10V	C7551	1-164-938-11	CERAMIC CHIP 0.0015UF	10.00% 50V
C7124	1-100-907-11	CERAMIC CHIP 0.1UF	10% 10V	C7552	1-164-938-11	CERAMIC CHIP 0.0015UF	10.00% 50V
C7125	1-100-907-11	CERAMIC CHIP 0.1UF	10% 10V	<CONNECTOR>			
C7127	1-100-907-11	CERAMIC CHIP 0.1UF	10% 10V	CN7401	1-817-717-61	CONNECTOR, BOARD TO BOARD 80P	
C7128	1-100-907-11	CERAMIC CHIP 0.1UF	10% 10V	CN7402	1-820-209-11	MEMORY STICK CONNECTOR	
C7129	1-100-907-11	CERAMIC CHIP 0.1UF	10% 10V	CN7500	1-819-465-11	HEADER ASSEMBLY FOR PWB 4P	
C7130	1-100-907-11	CERAMIC CHIP 0.1UF	10% 10V	CN7502	1-780-336-11	EARTH TERMINAL	
C7133	1-100-907-11	CERAMIC CHIP 0.1UF	10% 10V	CN7503	1-780-336-11	EARTH TERMINAL	
C7143	1-117-720-11	CERAMIC CHIP 4.7UF	10V	<DIODE>			
C7144	1-100-907-11	CERAMIC CHIP 0.1UF	10% 10V	D7402	8-719-066-11	DIODE 1PS184-115	
C7145	1-100-907-11	CERAMIC CHIP 0.1UF	10% 10V	D7502	8-719-069-29	DIODE RB520S-30TE61	
C7146	1-100-907-11	CERAMIC CHIP 0.1UF	10% 10V	D7503	8-719-078-04	DIODE EC31QS03L-TE12L	
C7147	1-117-720-11	CERAMIC CHIP 4.7UF	10V	D7505	6-500-754-01	DIODE D1FM3	
C7200	1-117-720-11	CERAMIC CHIP 4.7UF	10V	D7506	6-500-294-01	DIODE PTZ-TE25-3.9B	
C7202	1-100-907-11	CERAMIC CHIP 0.1UF	10% 10V	D7507	6-500-294-01	DIODE PTZ-TE25-3.9B	
C7203	1-100-907-11	CERAMIC CHIP 0.1UF	10% 10V	D7508	8-719-069-29	DIODE RB520S-30TE61	
C7204	1-117-720-11	CERAMIC CHIP 4.7UF	10V	<FERRITE BEAD>			
C7205	1-100-907-11	CERAMIC CHIP 0.1UF	10% 10V	FB7101	1-469-869-21	FERRITE 0UH	
C7206	1-100-907-11	CERAMIC CHIP 0.1UF	10% 10V	FB7103	1-400-834-11	FERRITE 0UH	
C7207	1-100-907-11	CERAMIC CHIP 0.1UF	10% 10V	FB7104	1-469-869-21	FERRITE 0UH	
C7208	1-100-907-11	CERAMIC CHIP 0.1UF	10% 10V	FB7105	1-469-869-21	FERRITE 0UH	
C7209	1-100-907-11	CERAMIC CHIP 0.1UF	10% 10V	FB7107	1-400-834-11	FERRITE 0UH	
C7210	1-100-907-11	CERAMIC CHIP 0.1UF	10% 10V	FB7200	1-400-834-11	FERRITE 0UH	
C7211	1-100-907-11	CERAMIC CHIP 0.1UF	10% 10V	FB7201	1-400-834-11	FERRITE 0UH	
C7212	1-117-720-11	CERAMIC CHIP 4.7UF	10V	FB7500	1-469-869-21	FERRITE 0UH	
C7401	1-117-720-11	CERAMIC CHIP 4.7UF	10V	FB7504	1-414-554-21	FERRITE 0UH	
C7402	1-100-907-11	CERAMIC CHIP 0.1UF	10% 10V	FB7505	1-414-554-21	FERRITE 0UH	
C7404	1-164-937-11	CERAMIC CHIP 0.001UF	10.00% 50V	FB7506	1-469-869-21	FERRITE 0UH	
C7405	1-100-907-11	CERAMIC CHIP 0.1UF	10% 10V	FB7507	1-469-869-21	FERRITE 0UH	
C7406	1-100-907-11	CERAMIC CHIP 0.1UF	10% 10V	<IC>			
C7407	1-125-891-11	CERAMIC CHIP 0.47UF	10.00% 10V	IC7101	6-708-916-01	IC ICS7150MLFT	
C7507	1-127-931-21	ELECT CHIP 470UF	20% 16V	IC7102	6-709-214-01	IC UPD61123F1-100-KA3-A	
C7508	1-100-911-11	CERAMIC CHIP 4.7UF	10% 25V	IC7200	6-705-336-01	IC K9F2808U0C-PCBOT	
C7510	1-164-937-11	CERAMIC CHIP 0.001UF	10.00% 50V	IC7201	6-707-809-01	IC EDD1216AATA-6B-E	
C7511	1-112-672-81	CERAMIC CHIP 330PF	5% 50V	IC7401	6-703-175-01	IC PST3629UL	
C7512	1-164-874-11	CERAMIC CHIP 100PF	5.00% 50V	IC7500	6-706-884-01	IC BD9851EFV-E2	
C7513	1-125-827-91	CERAMIC CHIP 1UF	10.00% 25V	IC7501	6-708-603-01	IC PQ070XNA1ZPH	
C7514	1-100-911-11	CERAMIC CHIP 4.7UF	10% 25V				
C7515	1-100-911-11	CERAMIC CHIP 4.7UF	10% 25V				
C7516	1-100-911-11	CERAMIC CHIP 4.7UF	10% 25V				
C7517	1-100-911-11	CERAMIC CHIP 4.7UF	10% 25V				
C7518	1-125-827-91	CERAMIC CHIP 1UF	10.00% 25V				
C7519	1-125-827-91	CERAMIC CHIP 1UF	10.00% 25V				
C7520	1-100-597-91	CERAMIC CHIP 0.1UF	10% 25V				
C7521	1-163-037-11	CERAMIC CHIP 0.022UF	10.00% 50V				
C7522	1-164-874-11	CERAMIC CHIP 100PF	5.00% 50V				
C7523	1-100-911-11	CERAMIC CHIP 4.7UF	10% 25V				

The components identified Δ marked are critical for safety.
Replace only with the part number specified.

FXE

REF. NO.	PART NO.	DESCRIPTION	REMARK	REF. NO.	PART NO.	DESCRIPTION	REMARK
		<COIL>					
L7100	1-414-398-11	INDUCTOR 10UH		R7203	1-218-953-11	RES-CHIP 1K 5%	1/16W
L7500	1-424-922-21	INDUCTOR 10UH		R7205	1-218-953-11	RES-CHIP 1K 5%	1/16W
L7501	1-424-922-21	INDUCTOR 10UH		R7206	1-218-953-11	RES-CHIP 1K 5%	1/16W
				R7207	1-218-949-11	RES-CHIP 470 5%	1/16W
				R7208	1-218-953-11	RES-CHIP 1K 5%	1/16W
		<IC LINK>		R7209	1-218-953-11	RES-CHIP 1K 5%	1/16W
PS7501	Δ 1-533-651-41	IC LINK 1.6A 24V		R7211	1-218-953-11	RES-CHIP 1K 5%	1/16W
				R7212	1-218-953-11	RES-CHIP 1K 5%	1/16W
				R7213	1-218-953-11	RES-CHIP 1K 5%	1/16W
				R7214	1-218-953-11	RES-CHIP 1K 5%	1/16W
		<TRANSISTOR>		R7215	1-218-953-11	RES-CHIP 1K 5%	1/16W
Q7402	8-729-027-43	TRANSISTOR DTC114EKA-T146		R7216	1-218-953-11	RES-CHIP 1K 5%	1/16W
Q7403	8-729-027-43	TRANSISTOR DTC114EKA-T146		R7217	1-218-953-11	RES-CHIP 1K 5%	1/16W
Q7500	6-551-382-01	TRANSISTOR RSS040P03FD5TB		R7218	1-218-953-11	RES-CHIP 1K 5%	1/16W
Q7501	6-551-382-01	TRANSISTOR RSS040P03FD5TB		R7221	1-218-953-11	RES-CHIP 1K 5%	1/16W
		<RESISTOR>		R7222	1-218-953-11	RES-CHIP 1K 5%	1/16W
R7102	1-218-990-81	SHORT CHIP 0		R7224	1-218-953-11	RES-CHIP 1K 5%	1/16W
R7107	1-218-937-11	RES-CHIP 47 5%	1/16W	R7227	1-218-953-11	RES-CHIP 1K 5%	1/16W
R7108	1-218-937-11	RES-CHIP 47 5%	1/16W	R7228	1-218-953-11	RES-CHIP 1K 5%	1/16W
R7111	1-218-937-11	RES-CHIP 47 5%	1/16W	R7229	1-218-953-11	RES-CHIP 1K 5%	1/16W
R7112	1-218-941-81	RES-CHIP 100 5%	1/16W	R7232	1-218-953-11	RES-CHIP 1K 5%	1/16W
R7114	1-218-937-11	RES-CHIP 47 5%	1/16W	R7233	1-218-953-11	RES-CHIP 1K 5%	1/16W
R7115	1-218-941-81	RES-CHIP 100 5%	1/16W	R7235	1-218-939-11	RES-CHIP 68 5%	1/16W
R7117	1-218-937-11	RES-CHIP 47 5%	1/16W	R7236	1-218-939-11	RES-CHIP 68 5%	1/16W
R7119	1-218-990-81	SHORT CHIP 0		R7237	1-218-941-81	RES-CHIP 100 5%	1/16W
R7120	1-218-990-81	SHORT CHIP 0		R7238	1-218-941-81	RES-CHIP 100 5%	1/16W
R7121	1-218-990-81	SHORT CHIP 0		R7239	1-218-941-81	RES-CHIP 100 5%	1/16W
R7122	1-218-941-81	RES-CHIP 100 5%	1/16W	R7240	1-218-941-81	RES-CHIP 100 5%	1/16W
R7123	1-218-965-11	RES-CHIP 10K 5%	1/16W	R7241	1-218-941-11	METAL CHIP 100 5%	1/16W
R7125	1-218-961-11	RES-CHIP 4.7K 5%	1/16W	R7242	1-218-941-11	METAL CHIP 100 5%	1/16W
R7126	1-218-961-11	RES-CHIP 4.7K 5%	1/16W	R7243	1-218-965-11	RES-CHIP 10K 5%	1/16W
R7129	1-218-941-81	RES-CHIP 100 5%	1/16W	R7248	1-218-941-81	RES-CHIP 100 5%	1/16W
R7130	1-218-941-81	RES-CHIP 100 5%	1/16W	R7400	1-218-990-81	SHORT CHIP 0	
R7131	1-218-941-81	RES-CHIP 100 5%	1/16W	R7401	1-218-990-81	SHORT CHIP 0	
R7132	1-218-941-81	RES-CHIP 100 5%	1/16W	R7403	1-218-965-11	RES-CHIP 10K 5%	1/16W
R7134	1-218-965-11	RES-CHIP 10K 5%	1/16W	R7405	1-218-965-11	RES-CHIP 10K 5%	1/16W
R7137	1-218-965-11	RES-CHIP 10K 5%	1/16W	R7407	1-218-965-11	RES-CHIP 10K 5%	1/16W
R7138	1-218-965-11	RES-CHIP 10K 5%	1/16W	R7408	1-218-965-11	RES-CHIP 10K 5%	1/16W
R7140	1-218-965-11	RES-CHIP 10K 5%	1/16W	R7409	1-218-937-11	RES-CHIP 47 5%	1/16W
R7141	1-218-965-11	RES-CHIP 10K 5%	1/16W	R7410	1-218-965-11	RES-CHIP 10K 5%	1/16W
R7142	1-218-965-11	RES-CHIP 10K 5%	1/16W	R7411	1-218-965-11	RES-CHIP 10K 5%	1/16W
R7143	1-218-965-11	RES-CHIP 10K 5%	1/16W	R7412	1-218-965-11	RES-CHIP 10K 5%	1/16W
R7153	1-218-965-11	RES-CHIP 10K 5%	1/16W	R7413	1-218-965-11	RES-CHIP 10K 5%	1/16W
R7159	1-218-990-81	SHORT CHIP 0		R7414	1-218-965-11	RES-CHIP 10K 5%	1/16W
R7163	1-218-937-11	RES-CHIP 47 5%	1/16W	R7415	1-218-965-11	RES-CHIP 10K 5%	1/16W
R7164	1-218-937-11	RES-CHIP 47 5%	1/16W	R7416	1-218-965-11	RES-CHIP 10K 5%	1/16W
R7165	1-218-953-11	RES-CHIP 1K 5%	1/16W	R7417	1-218-990-81	SHORT CHIP 0	
R7166	1-218-937-11	RES-CHIP 47 5%	1/16W	R7418	1-218-941-81	RES-CHIP 100 5%	1/16W
R7167	1-218-965-11	RES-CHIP 10K 5%	1/16W	R7421	1-218-965-11	RES-CHIP 10K 5%	1/16W
R7168	1-218-937-11	RES-CHIP 47 5%	1/16W	R7423	1-218-941-81	RES-CHIP 100 5%	1/16W
R7170	1-218-990-81	SHORT CHIP 0		R7425	1-218-953-11	RES-CHIP 1K 5%	1/16W
R7171	1-218-990-81	SHORT CHIP 0		R7471	1-218-990-81	SHORT CHIP 0	
R7174	1-218-965-11	RES-CHIP 10K 5%	1/16W	R7472	1-218-990-81	SHORT CHIP 0	
R7176	1-218-990-81	SHORT CHIP 0		R7502	1-218-985-11	METAL CHIP 470K 5%	1/16W
R7177	1-218-965-11	RES-CHIP 10K 5%	1/16W	R7504	1-208-703-11	METAL CHIP 6.8K 0.5%	1/16W
R7178	1-218-965-11	RES-CHIP 10K 5%	1/16W	R7505	1-208-679-11	METAL CHIP 680 0.5%	1/16W
R7179	1-218-965-11	RES-CHIP 10K 5%	1/16W	R7506	1-208-683-11	METAL CHIP 1K 0.5%	1/16W
R7180	1-218-965-11	RES-CHIP 10K 5%	1/16W	R7507	1-208-712-11	METAL CHIP 16K 0.5%	1/16W
R7183	1-218-990-81	SHORT CHIP 0		R7508	1-208-923-11	METAL CHIP 33K 0.5%	1/16W
R7200	1-218-953-11	RES-CHIP 1K 5%	1/16W	R7509	1-208-711-11	METAL CHIP 15K 0.5%	1/16W
R7201	1-218-953-11	RES-CHIP 1K 5%	1/16W	R7510	1-208-911-11	METAL CHIP 10K 0.5%	1/16W
				R7511	1-208-911-11	METAL CHIP 10K 0.5%	1/16W
				R7514	1-218-965-11	RES-CHIP 10K 5%	1/16W
				R7515	1-218-985-11	METAL CHIP 470K 5%	1/16W
				R7516	1-208-909-11	METAL CHIP 8.2K 0.5%	1/16W

Note: The components identified by mark  contain confidential information. Strictly follow the instructions whenever the components are repaired and/or replaced.

REF. NO.	PART NO.	DESCRIPTION	REMARK	REF. NO.	PART NO.	DESCRIPTION	REMARK
R7517	1-208-931-11	METAL CHIP	68K 0.5% 1/16W	C4200	1-100-906-11	CERAMIC CHIP	0.01UF 10% 16V
R7518	1-208-923-11	METAL CHIP	33K 0.5% 1/16W	C4300	1-100-911-11	CERAMIC CHIP	4.7UF 10% 25V
R7519	1-208-699-11	METAL CHIP	4.7K 0.5% 1/16W	C4301	1-100-911-11	CERAMIC CHIP	4.7UF 10% 25V
R7522	1-208-703-11	METAL CHIP	6.8K 0.5% 1/16W	C4302	1-100-911-11	CERAMIC CHIP	4.7UF 10% 25V
R7525	1-208-683-11	METAL CHIP	1K 0.5% 1/16W	C4303	1-100-911-11	CERAMIC CHIP	4.7UF 10% 25V
R7526	1-218-935-11	RES-CHIP	33 5% 1/16W	C4304	1-100-911-11	CERAMIC CHIP	4.7UF 10% 25V
R7527	1-208-683-11	METAL CHIP	1K 0.5% 1/16W	C4305	1-100-911-11	CERAMIC CHIP	4.7UF 10% 25V
R7533	1-220-234-11	METAL CHIP	4.7 10% 1/4W	C4306	1-112-066-11	CERAMIC CHIP	10UF 10% 10V
R7534	1-220-234-11	METAL CHIP	4.7 10% 1/4W	C4307	1-112-066-11	CERAMIC CHIP	10UF 10% 10V
		<NETWORK>		C4311	1-162-969-11	CERAMIC CHIP	0.0068UF 10.00% 25V
RB7100	1-234-710-21	RES, CHIP NETWORK 47X8	(3816)	C4317	1-162-969-11	CERAMIC CHIP	0.0068UF 10.00% 25V
RB7101	1-234-710-21	RES, CHIP NETWORK 47X8	(3816)	C4318	1-164-882-11	CERAMIC CHIP	220PF 5.00% 16V
RB7102	1-234-710-21	RES, CHIP NETWORK 47X8	(3816)	C4319	1-164-882-11	CERAMIC CHIP	220PF 5.00% 16V
RB7103	1-234-710-21	RES, CHIP NETWORK 47X8	(3816)	C4322	1-100-911-11	CERAMIC CHIP	4.7UF 10% 25V
RB7200	1-234-702-11	RES, NETWORK 68	(1005X4)	C4323	1-100-911-11	CERAMIC CHIP	4.7UF 10% 25V
RB7201	1-234-702-11	RES, NETWORK 68	(1005X4)	C4324	1-100-911-11	CERAMIC CHIP	4.7UF 10% 25V
RB7202	1-234-372-11	RES, NETWORK 100	(1005X4)	C4325	1-100-911-11	CERAMIC CHIP	4.7UF 10% 25V
RB7203	1-234-372-11	RES, NETWORK 100	(1005X4)	C4326	1-162-959-11	CERAMIC CHIP	330PF 5.00% 50V
RB7204	1-234-372-11	RES, NETWORK 100	(1005X4)	C4327	1-162-959-11	CERAMIC CHIP	330PF 5.00% 50V
RB7205	1-234-702-11	RES, NETWORK 68	(1005X4)	C4328	1-100-912-11	CERAMIC CHIP	1UF 10% 25V
RB7206	1-234-702-11	RES, NETWORK 68	(1005X4)	C4329	1-100-912-11	CERAMIC CHIP	1UF 10% 25V
RB7207	1-234-372-11	RES, NETWORK 100	(1005X4)	C4330	1-100-912-11	CERAMIC CHIP	1UF 10% 25V
RB7208	1-234-372-11	RES, NETWORK 100	(1005X4)	C4331	1-100-912-11	CERAMIC CHIP	1UF 10% 25V
		<CRYSTAL>		C4332	1-100-912-11	CERAMIC CHIP	1UF 10% 25V
X7101	1-813-055-11	QUARTZ CRYSTAL UNIT		C4333	1-100-912-11	CERAMIC CHIP	1UF 10% 25V
*****				C4334	1-100-907-11	CERAMIC CHIP	0.1UF 10% 10V
		 A-1215-296-A B2 COMPL (KLV-40X200A/40X250A)		C4335	1-100-907-11	CERAMIC CHIP	0.1UF 10% 10V
		 A-1215-295-A B2 COMPL (KLV-46X200A/46X250A)		C4336	1-164-227-11	CERAMIC CHIP	0.022UF 10.00% 25V
*****				C4337	1-164-227-11	CERAMIC CHIP	0.022UF 10.00% 25V
	2-586-175-01	SHEET B, RADIATION		C4338	1-164-870-11	CERAMIC CHIP	68PF 5.00% 50V
		<CAPACITOR>		C4339	1-115-412-11	CERAMIC CHIP	680PF 5.00% 25V
C4000	1-112-777-11	CERAMIC CHIP	0.01UF 10% 25V	C4340	1-115-416-11	CERAMIC CHIP	0.001UF 5.00% 25V
C4001	1-117-681-11	ELECT CHIP	100UF 20.00% 16V	C4341	1-164-227-11	CERAMIC CHIP	0.022UF 10.00% 25V
C4002	1-117-681-11	ELECT CHIP	100UF 20.00% 16V	C4343	1-112-066-11	CERAMIC CHIP	10UF 10% 10V
C4003	1-117-681-11	ELECT CHIP	100UF 20.00% 16V	C4345	1-112-066-11	CERAMIC CHIP	10UF 10% 10V
C4004	1-117-681-11	ELECT CHIP	100UF 20.00% 16V	C4347	1-100-911-11	CERAMIC CHIP	4.7UF 10% 25V
C4005	1-117-681-11	ELECT CHIP	100UF 20.00% 16V	C4348	1-100-118-21	ELECT CHIP	82UF 20% 16V
C4006	1-112-777-11	CERAMIC CHIP	0.01UF 10% 25V	C4349	1-100-566-91	CERAMIC CHIP	0.1UF 10.00% 25V
C4009	1-100-566-91	CERAMIC CHIP	0.1UF 10.00% 25V	C4350	1-100-566-91	CERAMIC CHIP	0.1UF 10.00% 25V
C4010	1-100-566-91	CERAMIC CHIP	0.1UF 10.00% 25V	C4351	1-100-911-11	CERAMIC CHIP	4.7UF 10% 25V
C4011	1-100-911-11	CERAMIC CHIP	4.7UF 10% 25V	C4352	1-100-911-11	CERAMIC CHIP	4.7UF 10% 25V
C4012	1-100-911-11	CERAMIC CHIP	4.7UF 10% 25V	C4354	1-162-970-11	CERAMIC CHIP	0.01UF 10.00% 25V
C4013	1-112-777-11	CERAMIC CHIP	0.01UF 10% 25V	C4355	1-162-965-11	CERAMIC CHIP	0.0015UF 10.00% 50V
C4014	1-117-681-11	ELECT CHIP	100UF 20.00% 16V	C4356	1-115-414-11	CERAMIC CHIP	820PF 5.00% 25V
C4015	1-112-777-11	CERAMIC CHIP	0.01UF 10% 25V	C4357	1-112-066-11	CERAMIC CHIP	10UF 10% 10V
C4016	1-100-906-11	CERAMIC CHIP	0.01UF 10% 16V	C4361	1-162-966-11	CERAMIC CHIP	0.0022UF 10.00% 50V
C4017	1-117-681-11	ELECT CHIP	100UF 20.00% 16V	C4363	1-100-911-11	CERAMIC CHIP	4.7UF 10% 25V
C4018	1-100-906-11	CERAMIC CHIP	0.01UF 10% 16V	C4364	1-100-566-91	CERAMIC CHIP	0.1UF 10.00% 25V
C4020	1-164-874-11	CERAMIC CHIP	100PF 5.00% 50V	C4367	1-164-870-11	CERAMIC CHIP	68PF 5.00% 50V
C4022	1-164-874-11	CERAMIC CHIP	100PF 5.00% 50V	C4369	1-100-911-11	CERAMIC CHIP	4.7UF 10% 25V
C4026	1-164-937-11	CERAMIC CHIP	0.001UF 10.00% 50V	C4370	1-100-911-11	CERAMIC CHIP	4.7UF 10% 25V
C4029	1-164-937-11	CERAMIC CHIP	0.001UF 10.00% 50V	C4371	1-164-882-11	CERAMIC CHIP	220PF 5.00% 16V
C4030	1-164-937-11	CERAMIC CHIP	0.001UF 10.00% 50V	C4372	1-100-911-11	CERAMIC CHIP	4.7UF 10% 25V
C4031	1-164-937-11	CERAMIC CHIP	0.001UF 10.00% 50V	C4373	1-100-911-11	CERAMIC CHIP	4.7UF 10% 25V
C4032	1-164-874-11	CERAMIC CHIP	100PF 5.00% 50V	C4374	1-100-912-11	CERAMIC CHIP	1UF 10% 25V
C4033	1-164-874-11	CERAMIC CHIP	100PF 5.00% 50V	C4375	1-100-911-11	CERAMIC CHIP	4.7UF 10% 25V
				C4377	1-100-912-11	CERAMIC CHIP	1UF 10% 25V
				C4379	1-100-912-11	CERAMIC CHIP	1UF 10% 25V
				C4380	1-112-066-11	CERAMIC CHIP	10UF 10% 10V
				C4381	1-100-912-11	CERAMIC CHIP	1UF 10% 25V
				C4383	1-100-907-11	CERAMIC CHIP	0.1UF 10% 10V
				C4384	1-100-118-21	ELECT CHIP	82UF 20% 16V
				C4385	1-164-227-11	CERAMIC CHIP	0.022UF 10.00% 25V
				C4391	1-117-681-11	ELECT CHIP	100UF 20.00% 16V
				C4393	1-126-391-11	ELECT CHIP	47UF 20.00% 6.3V

REF. NO.	PART NO.	DESCRIPTION	REMARK	REF. NO.	PART NO.	DESCRIPTION	REMARK
C4394	1-126-391-11	ELECT CHIP	47UF 20.00% 6.3V	C4537	1-126-394-11	ELECT CHIP	10UF 20.00% 16V
C4395	1-126-391-11	ELECT CHIP	47UF 20.00% 6.3V	C4538	1-100-905-11	CERAMIC CHIP	0.001UF 10% 50V
C4396	1-126-412-11	ELECT CHIP	220UF 20.00% 4V	C4539	1-100-905-11	CERAMIC CHIP	0.001UF 10% 50V
C4399	1-112-777-11	CERAMIC CHIP	0.01UF 10% 25V	C4540	1-100-905-11	CERAMIC CHIP	0.001UF 10% 50V
C4400	1-112-777-11	CERAMIC CHIP	0.01UF 10% 25V	C4541	1-100-905-11	CERAMIC CHIP	0.001UF 10% 50V
C4401	1-112-777-11	CERAMIC CHIP	0.01UF 10% 25V	C4542	1-100-905-11	CERAMIC CHIP	0.001UF 10% 50V
C4402	1-112-777-11	CERAMIC CHIP	0.01UF 10% 25V	C4543	1-100-906-11	CERAMIC CHIP	0.01UF 10% 16V
C4403	1-112-777-11	CERAMIC CHIP	0.01UF 10% 25V	C4544	1-100-906-11	CERAMIC CHIP	0.01UF 10% 16V
C4404	1-112-777-11	CERAMIC CHIP	0.01UF 10% 25V	C4545	1-100-905-11	CERAMIC CHIP	0.001UF 10% 50V
C4405	1-112-777-11	CERAMIC CHIP	0.01UF 10% 25V	C4546	1-100-905-11	CERAMIC CHIP	0.001UF 10% 50V
C4406	1-164-874-11	CERAMIC CHIP	100PF 5.00% 50V	C4552	1-100-905-11	CERAMIC CHIP	0.001UF 10% 50V
C4407	1-100-906-11	CERAMIC CHIP	0.01UF 10% 16V	C4553	1-100-905-11	CERAMIC CHIP	0.001UF 10% 50V
C4408	1-100-906-11	CERAMIC CHIP	0.01UF 10% 16V	C4554	1-100-905-11	CERAMIC CHIP	0.001UF 10% 50V
C4409	1-100-906-11	CERAMIC CHIP	0.01UF 10% 16V	C4555	1-100-905-11	CERAMIC CHIP	0.001UF 10% 50V
C4410	1-100-906-11	CERAMIC CHIP	0.01UF 10% 16V	C4556	1-100-905-11	CERAMIC CHIP	0.001UF 10% 50V
C4416	1-100-906-11	CERAMIC CHIP	0.01UF 10% 16V	C4557	1-100-905-11	CERAMIC CHIP	0.001UF 10% 50V
C4417	1-100-906-11	CERAMIC CHIP	0.01UF 10% 16V	C4558	1-100-905-11	CERAMIC CHIP	0.001UF 10% 50V
C4418	1-100-906-11	CERAMIC CHIP	0.01UF 10% 16V	C4561	1-100-906-11	CERAMIC CHIP	0.01UF 10% 16V
C4419	1-100-906-11	CERAMIC CHIP	0.01UF 10% 16V	C4562	1-126-394-11	ELECT CHIP	10UF 20.00% 16V
C4420	1-164-874-11	CERAMIC CHIP	100PF 5.00% 50V	C4563	1-100-906-11	CERAMIC CHIP	0.01UF 10% 16V
C4422	1-164-937-11	CERAMIC CHIP	0.001UF 10.00% 50V	C4564	1-100-905-11	CERAMIC CHIP	0.001UF 10% 50V
C4424	1-164-874-11	CERAMIC CHIP	100PF 5.00% 50V	C4565	1-100-905-11	CERAMIC CHIP	0.001UF 10% 50V
C4425	1-164-874-11	CERAMIC CHIP	100PF 5.00% 50V	C4566	1-100-905-11	CERAMIC CHIP	0.001UF 10% 50V
C4426	1-164-874-11	CERAMIC CHIP	100PF 5.00% 50V	C4568	1-100-905-11	CERAMIC CHIP	0.001UF 10% 50V
C4428	1-164-874-11	CERAMIC CHIP	100PF 5.00% 50V	C4569	1-126-394-11	ELECT CHIP	10UF 20.00% 16V
C4430	1-164-874-11	CERAMIC CHIP	100PF 5.00% 50V	C4570	1-100-906-11	CERAMIC CHIP	0.01UF 10% 16V
C4433	1-164-874-11	CERAMIC CHIP	100PF 5.00% 50V	C4572	1-126-394-11	ELECT CHIP	10UF 20.00% 16V
C4436	1-164-937-11	CERAMIC CHIP	0.001UF 10.00% 50V	C4721	1-112-046-11	CERAMIC CHIP	4.7UF 10% 6.3V
C4437	1-164-937-11	CERAMIC CHIP	0.001UF 10.00% 50V	C4800	1-131-661-21	ELECT CHIP	100UF 20% 10V
C4438	1-164-937-11	CERAMIC CHIP	0.001UF 10.00% 50V	C4802	1-164-874-11	CERAMIC CHIP	100PF 5.00% 50V
C4439	1-164-937-11	CERAMIC CHIP	0.001UF 10.00% 50V	C4804	1-131-661-21	ELECT CHIP	100UF 20% 10V
C4440	1-164-937-11	CERAMIC CHIP	0.001UF 10.00% 50V	C4805	1-164-874-11	CERAMIC CHIP	100PF 5.00% 50V
C4442	1-164-937-11	CERAMIC CHIP	0.001UF 10.00% 50V	C4806	1-131-661-21	ELECT CHIP	100UF 20% 10V
C4443	1-164-937-11	CERAMIC CHIP	0.001UF 10.00% 50V	C4807	1-131-661-21	ELECT CHIP	100UF 20% 10V
C4444	1-164-937-11	CERAMIC CHIP	0.001UF 10.00% 50V	C4808	1-131-661-21	ELECT CHIP	100UF 20% 10V
C4446	1-164-937-11	CERAMIC CHIP	0.001UF 10.00% 50V	C4809	1-100-906-11	CERAMIC CHIP	0.01UF 10% 16V
C4500	1-162-923-11	CERAMIC CHIP	47PF 5.00% 50V	C4810	1-164-874-11	CERAMIC CHIP	100PF 5.00% 50V
C4501	1-162-923-11	CERAMIC CHIP	47PF 5.00% 50V	C4811	1-100-906-11	CERAMIC CHIP	0.01UF 10% 16V
C4502	1-162-923-11	CERAMIC CHIP	47PF 5.00% 50V	C4812	1-100-906-11	CERAMIC CHIP	0.01UF 10% 16V
C4503	1-162-923-11	CERAMIC CHIP	47PF 5.00% 50V	C4813	1-100-906-11	CERAMIC CHIP	0.01UF 10% 16V
C4504	1-100-743-91	CERAMIC CHIP	2.2UF 20% 16V	C4814	1-100-906-11	CERAMIC CHIP	0.01UF 10% 16V
C4505	1-100-743-91	CERAMIC CHIP	2.2UF 20% 16V	C4815	1-100-906-11	CERAMIC CHIP	0.01UF 10% 16V
C4506	1-125-777-11	CERAMIC CHIP	0.1UF 10.00% 10V	C4816	1-100-906-11	CERAMIC CHIP	0.01UF 10% 16V
C4507	1-125-777-11	CERAMIC CHIP	0.1UF 10.00% 10V	C4817	1-100-906-11	CERAMIC CHIP	0.01UF 10% 16V
C4508	1-100-567-81	CERAMIC CHIP	0.01UF 10% 25V	C4818	1-100-906-11	CERAMIC CHIP	0.01UF 10% 16V
C4509	1-100-567-81	CERAMIC CHIP	0.01UF 10% 25V	C4819	1-100-906-11	CERAMIC CHIP	0.01UF 10% 16V
C4510	1-100-567-81	CERAMIC CHIP	0.01UF 10% 25V	C4820	1-100-906-11	CERAMIC CHIP	0.01UF 10% 16V
C4511	1-100-567-81	CERAMIC CHIP	0.01UF 10% 25V	C4821	1-100-906-11	CERAMIC CHIP	0.01UF 10% 16V
C4512	1-100-567-81	CERAMIC CHIP	0.01UF 10% 25V	C4822	1-100-906-11	CERAMIC CHIP	0.01UF 10% 16V
C4513	1-100-567-81	CERAMIC CHIP	0.01UF 10% 25V	C4823	1-100-906-11	CERAMIC CHIP	0.01UF 10% 16V
C4514	1-100-567-81	CERAMIC CHIP	0.01UF 10% 25V	C4824	1-100-906-11	CERAMIC CHIP	0.01UF 10% 16V
C4515	1-164-937-11	CERAMIC CHIP	0.001UF 10.00% 50V	C4825	1-100-909-11	CERAMIC CHIP	10UF 10% 6.3V
C4519	1-164-937-11	CERAMIC CHIP	0.001UF 10.00% 50V	C4826	1-100-909-11	CERAMIC CHIP	10UF 10% 6.3V
C4521	1-100-567-81	CERAMIC CHIP	0.01UF 10% 25V	C4827	1-100-906-11	CERAMIC CHIP	0.01UF 10% 16V
C4523	1-164-937-11	CERAMIC CHIP	0.001UF 10.00% 50V	C4828	1-100-909-11	CERAMIC CHIP	10UF 10% 6.3V
C4524	1-100-567-81	CERAMIC CHIP	0.01UF 10% 25V	C4829	1-100-906-11	CERAMIC CHIP	0.01UF 10% 16V
C4525	1-124-779-00	ELECT CHIP	10UF 20.00% 16V	C4830	1-100-906-11	CERAMIC CHIP	0.01UF 10% 16V
C4526	1-125-777-11	CERAMIC CHIP	0.1UF 10.00% 10V	C4831	1-100-906-11	CERAMIC CHIP	0.01UF 10% 16V
C4528	1-164-937-11	CERAMIC CHIP	0.001UF 10.00% 50V	C4832	1-100-906-11	CERAMIC CHIP	0.01UF 10% 16V
C4529	1-124-779-00	ELECT CHIP	10UF 20.00% 16V	C4833	1-100-906-11	CERAMIC CHIP	0.01UF 10% 16V
C4532	1-126-394-11	ELECT CHIP	10UF 20.00% 16V	C4834	1-100-907-11	CERAMIC CHIP	0.1UF 10% 10V
C4533	1-125-777-11	CERAMIC CHIP	0.1UF 10.00% 10V	C4835	1-100-907-11	CERAMIC CHIP	0.1UF 10% 10V
C4534	1-100-906-11	CERAMIC CHIP	0.01UF 10% 16V	C4836	1-100-906-11	CERAMIC CHIP	0.01UF 10% 16V
C4535	1-165-989-11	CERAMIC CHIP	10UF 10% 6.3V	C4837	1-100-906-11	CERAMIC CHIP	0.01UF 10% 16V
C4536	1-126-394-11	ELECT CHIP	10UF 20.00% 16V	C4838	1-100-909-11	CERAMIC CHIP	10UF 10% 6.3V

The components identified \triangle marked are critical for safety.
Replace only with the part number specified.

B2

REF. NO.	PART NO.	DESCRIPTION	REMARK	REF. NO.	PART NO.	DESCRIPTION	REMARK
C5866	1-164-874-11	CERAMIC CHIP 100PF	5.00% 50V	D4502	6-500-701-01	DIODE PGB1010603NR	
C5867	1-164-874-11	CERAMIC CHIP 100PF	5.00% 50V	D4503	6-500-701-01	DIODE PGB1010603NR	
C5868	1-164-874-11	CERAMIC CHIP 100PF	5.00% 50V	D4504	6-500-701-01	DIODE PGB1010603NR	
C5900	1-164-874-11	CERAMIC CHIP 100PF	5.00% 50V	D4505	6-500-701-01	DIODE PGB1010603NR	
C5901	1-164-937-11	CERAMIC CHIP 0.001UF	10.00% 50V	D4506	8-719-081-97	DIODE MMDL914T1	
C5902	1-100-567-81	CERAMIC CHIP 0.01UF	10% 25V	D4507	8-719-081-97	DIODE MMDL914T1	
C5903	1-125-777-11	CERAMIC CHIP 0.1UF	10.00% 10V	D4508	6-500-701-01	DIODE PGB1010603NR	
C5904	1-165-989-11	CERAMIC CHIP 10UF	10% 6.3V	D4509	6-500-701-01	DIODE PGB1010603NR	
C5905	1-100-567-81	CERAMIC CHIP 0.01UF	10% 25V	D4511	6-500-701-01	DIODE PGB1010603NR	
C5906	1-100-567-81	CERAMIC CHIP 0.01UF	10% 25V	D4512	6-500-701-01	DIODE PGB1010603NR	
C5907	1-100-567-81	CERAMIC CHIP 0.01UF	10% 25V	D4514	6-500-701-01	DIODE PGB1010603NR	
C5908	1-100-567-81	CERAMIC CHIP 0.01UF	10% 25V	D4515	6-500-701-01	DIODE PGB1010603NR	
C5909	1-100-567-81	CERAMIC CHIP 0.01UF	10% 25V	D4516	6-500-701-01	DIODE PGB1010603NR	
C5910	1-100-567-81	CERAMIC CHIP 0.01UF	10% 25V	D4517	6-500-701-01	DIODE PGB1010603NR	
C5911	1-100-567-81	CERAMIC CHIP 0.01UF	10% 25V	D4518	6-500-701-01	DIODE PGB1010603NR	
C5912	1-100-567-81	CERAMIC CHIP 0.01UF	10% 25V	D4519	6-500-701-01	DIODE PGB1010603NR	
C5913	1-100-567-81	CERAMIC CHIP 0.01UF	10% 25V	D4520	8-719-081-97	DIODE MMDL914T1	
C5914	1-164-937-11	CERAMIC CHIP 0.001UF	10.00% 50V	D4521	8-719-081-97	DIODE MMDL914T1	
C5915	1-100-567-81	CERAMIC CHIP 0.01UF	10% 25V	D4522	8-719-050-38	DIODE M1MA152WK-T1	
C5916	1-125-777-11	CERAMIC CHIP 0.1UF	10.00% 10V	D4523	8-719-050-38	DIODE M1MA152WK-T1	
C5917	1-165-989-11	CERAMIC CHIP 10UF	10% 6.3V	D5100	8-719-045-61	DIODE SEC1901C	
C5918	1-100-567-81	CERAMIC CHIP 0.01UF	10% 25V	ET4709	* 1-780-431-11	ON-BOARD CONTACT	
C5919	1-100-567-81	CERAMIC CHIP 0.01UF	10% 25V	ET4710	* 1-780-431-11	ON-BOARD CONTACT	
C5920	1-100-567-81	CERAMIC CHIP 0.01UF	10% 25V	ET4711	* 1-780-431-11	ON-BOARD CONTACT	
C5921	1-100-567-81	CERAMIC CHIP 0.01UF	10% 25V	ET4712	* 1-780-431-11	ON-BOARD CONTACT	
C5922	1-100-567-81	CERAMIC CHIP 0.01UF	10% 25V	ET4713	* 1-780-431-11	ON-BOARD CONTACT	
C5923	1-164-874-11	CERAMIC CHIP 100PF	5.00% 50V			<FUSE>	
C5924	1-165-989-11	CERAMIC CHIP 10UF	10% 6.3V	F4000	\triangle 1-576-603-21	FUSE 3.15A 24V	
C5925	1-125-777-11	CERAMIC CHIP 0.1UF	10.00% 10V	F4300	\triangle 1-576-611-21	FUSE 0.8A 32V	
C5926	1-100-567-81	CERAMIC CHIP 0.01UF	10% 25V	F4301	\triangle 1-576-603-21	FUSE 3.15A 24V	
C5927	1-164-937-11	CERAMIC CHIP 0.001UF	10.00% 50V	F4302	\triangle 1-576-603-21	FUSE 3.15A 24V	
C5928	1-164-874-11	CERAMIC CHIP 100PF	5.00% 50V	F4303	\triangle 1-576-603-21	FUSE 3.15A 24V	
		<CONNECTOR>		F4304	\triangle 1-576-611-21	FUSE 0.8A 32V	
CN4001	1-819-461-11	HEADER ASSEMBLY FOR PWB 4P				<FERRITE BEAD>	
CN4002	1-819-862-11	CONNECTOR, BOARD TO BOARD 140P		FB4000	1-400-580-21	FERRITE 0UH	
CN4003	1-819-476-11	HEADER ASSEMBLY FOR PWB 8P		FB4001	1-400-580-21	FERRITE 0UH	
CN4004	* 1-820-550-11	HEADER ASSEMBLY FOR PWB 12P		FB4003	1-400-499-21	FERRITE 0UH	
CN4201	* 1-817-738-61	CONNECTOR, BOARD TO BOARD 80P		FB4004	1-400-580-21	FERRITE 0UH	
CN4500	* 1-818-400-11	HDMI CONNECTOR		FB4005	1-400-580-21	FERRITE 0UH	
CN4501	* 1-818-400-11	HDMI CONNECTOR		FB4200	1-400-499-21	FERRITE 0UH	
CN5900	* 1-820-443-11	HEADER ASSEMBLY FOR PWB 51P		FB4300	1-414-554-21	FERRITE 0UH	
		<DIODE>		FB4301	1-414-554-21	FERRITE 0UH	
D4300	8-719-069-29	DIODE RB520S-30TE61		FB4302	1-414-554-21	FERRITE 0UH	
D4301	8-719-069-29	DIODE RB520S-30TE61		FB4303	1-414-554-21	FERRITE 0UH	
D4302	8-719-078-04	DIODE EC31QS03L-TE12L		FB4304	1-400-580-21	FERRITE 0UH	
D4303	8-719-078-04	DIODE EC31QS03L-TE12L		FB4305	1-400-580-21	FERRITE 0UH	
D4304	8-719-078-04	DIODE EC31QS03L-TE12L		FB4307	1-400-580-21	FERRITE 0UH	
D4305	8-719-078-04	DIODE EC31QS03L-TE12L		FB4308	1-400-580-21	FERRITE 0UH	
D4306	6-501-528-01	DIODE 1SMA5915BT3G		FB4309	1-414-554-21	FERRITE 0UH	
D4307	6-501-528-01	DIODE 1SMA5915BT3G		FB4311	1-414-554-21	FERRITE 0UH	
D4308	6-501-528-01	DIODE 1SMA5915BT3G		FB4312	1-400-580-21	FERRITE 0UH	
D4309	6-501-528-01	DIODE 1SMA5915BT3G		FB4314	1-400-580-21	FERRITE 0UH	
D4310	8-719-069-29	DIODE RB520S-30TE61		FB4500	1-414-554-21	FERRITE 0UH	
D4311	8-719-069-29	DIODE RB520S-30TE61		FB4501	1-400-382-11	FERRITE 0UH	
D4312	8-719-056-82	DIODE UDZ-TE-17-6.2B		FB4502	1-400-499-21	FERRITE 0UH	
D4313	8-719-069-29	DIODE RB520S-30TE61		FB4503	1-400-382-11	FERRITE 0UH	
D4315	8-719-078-04	DIODE EC31QS03L-TE12L		FB4504	1-400-382-11	FERRITE 0UH	
D4317	6-501-528-01	DIODE 1SMA5915BT3G		FB4505	1-400-382-11	FERRITE 0UH	
D4318	6-501-529-01	DIODE 1SMA5920BT3G		FB4506	1-400-499-21	FERRITE 0UH	
D4500	6-500-701-01	DIODE PGB1010603NR		FB4507	1-400-382-11	FERRITE 0UH	
D4501	6-500-701-01	DIODE PGB1010603NR					

REF. NO.	PART NO.	DESCRIPTION	REMARK	REF. NO.	PART NO.	DESCRIPTION	REMARK
FB4508	1-400-382-11	FERRITE	OUH	IC4803	6-705-529-01	IC LMH6658MMX/J5000172	
FB4800	1-400-382-11	FERRITE	OUH	IC4804	6-706-180-01	IC SN74LVC2G53DCUR	
FB4801	1-400-382-11	FERRITE	OUH	IC4807	8-759-549-01	IC SN74LV125APWR	
FB4802	1-400-382-11	FERRITE	OUH	IC5000	8-753-250-46	IC CXD2097BQ-1	
				IC5001	6-707-786-01	IC IS42S16100C1-7TL-TR	
FB4803	1-400-382-11	FERRITE	OUH	IC5002	8-759-549-01	IC SN74LV125APWR	
FB4804	1-400-499-21	FERRITE	OUH	IC5003	6-709-646-01	IC TLC2933AIPWR	
FB5000	1-400-499-21	FERRITE	OUH	IC5102	6-708-754-01	IC CY22392ZXC-380T	
FB5001	1-400-382-11	FERRITE	OUH	IC5103	6-705-019-01	IC PST3620UL	
FB5002	1-400-382-11	FERRITE	OUH	IC5104	8-759-592-49	IC TC7SZ125FU(TE85R)	
FB5003	1-400-382-11	FERRITE	OUH	IC5105	8-759-592-49	IC TC7SZ125FU(TE85R)	
FB5004	1-400-382-11	FERRITE	OUH	IC5107	8-753-239-54	IC CXD4709GB	
FB5005	1-400-382-11	FERRITE	OUH	IC5300	6-707-822-01	IC EM6A9320BI-5MG	
FB5100	1-400-580-21	FERRITE	OUH	IC5301	6-806-793-01	IC S29JL032H70TFI010-FIX-BE101	
FB5101	1-400-580-21	FERRITE	OUH	IC5302	6-707-822-01	IC EM6A9320BI-5MG	
FB5102	1-400-580-21	FERRITE	OUH	IC5304	6-707-373-01	IC TPS51100DGQR	
FB5103	1-400-580-21	FERRITE	OUH	IC5401	6-701-025-01	IC SN74LVC16244ADGGR	
FB5104	1-400-580-21	FERRITE	OUH	IC5403	6-704-099-01	IC TC7WZ08FK(TE85R)	
FB5105	1-400-580-21	FERRITE	OUH	IC5404	8-759-549-01	IC SN74LV125APWR	
FB5106	1-400-580-21	FERRITE	OUH	IC5408	6-701-917-01	IC TC7PA34FU(TE85R)	
FB5107	1-400-499-21	FERRITE	OUH	IC5500	6-708-641-01	IC SAA7115AHL/V1	
FB5300	1-400-580-21	FERRITE	OUH	IC5601	6-807-041-01	IC MB90F334APMC-G-9009E1	
FB5301	1-400-580-21	FERRITE	OUH	IC5602	8-759-596-29	IC SN74LV4066APWR	
FB5302	1-400-580-21	FERRITE	OUH	IC5603	6-704-067-01	IC M24128-BWMN6T(A)	
FB5305	1-400-382-11	FERRITE	OUH	IC5801	6-707-347-01	IC CXD9816AGG	
FB5306	1-400-382-11	FERRITE	OUH	IC5900	6-708-704-01	IC THC63LVD1023	
FB5307	1-400-382-11	FERRITE	OUH			<JACK>	
FB5401	1-400-499-21	FERRITE	OUH	J4500	1-820-464-11	PHONO JACK 2P	
FB5402	1-400-499-21	FERRITE	OUH			<COIL>	
FB5404	1-400-499-21	FERRITE	OUH	L4300	1-424-918-21	INDUCTOR	10UH
FB5501	1-400-499-21	FERRITE	OUH	L4301	1-424-918-21	INDUCTOR	10UH
FB5502	1-400-499-21	FERRITE	OUH	L4302	1-424-918-21	INDUCTOR	10UH
FB5503	1-400-499-21	FERRITE	OUH	L4303	1-424-918-21	INDUCTOR	10UH
FB5601	1-400-499-21	FERRITE	OUH	L4304	1-456-065-21	INDUCTOR	22UH
FB5602	1-400-461-21	FERRITE	OUH	L4306	1-419-630-21	INDUCTOR	4.7UH
FB5607	1-400-461-21	FERRITE	OUH	L4307	1-456-787-21	INDUCTOR	10UH
FB5800	1-400-382-11	FERRITE	OUH	L4800	1-469-549-21	INDUCTOR	1UH
FB5801	1-400-382-11	FERRITE	OUH	L4801	1-469-549-21	INDUCTOR	1UH
FB5802	1-400-499-21	FERRITE	OUH	L4802	1-469-549-21	INDUCTOR	1UH
FB5901	1-400-461-21	FERRITE	OUH	L4803	1-469-549-21	INDUCTOR	1UH
FB5902	1-400-461-21	FERRITE	OUH	L4805	1-469-555-21	INDUCTOR	10UH
FB5903	1-400-461-21	FERRITE	OUH	L4806	1-469-555-21	INDUCTOR	10UH
FB5904	1-400-461-21	FERRITE	OUH	L4807	1-469-549-21	INDUCTOR	1UH
FB5908	1-400-461-21	FERRITE	OUH	L4808	1-469-555-21	INDUCTOR	10UH
		<FILTER>		L5000	1-469-555-21	INDUCTOR	10UH
FL4801	1-813-815-21	LOWPASS FILTER		L5001	1-469-555-21	INDUCTOR	10UH
		<IC>		L5100	1-469-553-21	INDUCTOR	4.7UH
IC4200	6-702-982-01	IC TC7SA00FU(TE85R)		L5101	1-469-555-21	INDUCTOR	10UH
IC4300	6-706-884-01	IC BD9851EFV-E2		L5500	1-412-058-11	INDUCTOR	10UH
IC4301	6-706-884-01	IC BD9851EFV-E2		L5501	1-412-058-11	INDUCTOR	10UH
IC4302	6-705-646-01	IC MB39A116PFT-G-BND-ERE1		L5502	1-412-058-11	INDUCTOR	10UH
IC4303	6-706-884-01	IC BD9851EFV-E2		L5503	1-412-058-11	INDUCTOR	10UH
IC4305	6-708-603-01	IC PQ070XNA1ZPH		L5900	1-469-555-21	INDUCTOR	10UH
IC4500	6-704-600-01	IC M24C02-WMN6T(B)		L5901	1-469-555-21	INDUCTOR	10UH
IC4501	6-704-600-01	IC M24C02-WMN6T(B)		L5902	1-456-583-11	INDUCTOR	0UH
IC4502	6-708-758-01	IC PCA9517DP.118		L5903	1-469-555-21	INDUCTOR	10UH
IC4503	6-708-758-01	IC PCA9517DP.118		L5904	1-456-583-11	INDUCTOR	0UH
IC4504	8-759-596-34	IC SN74LV4053APWR		L5905	1-456-583-11	INDUCTOR	0UH
IC4505	8-753-255-97	IC CXB1441R-T4		L5906	1-456-583-11	INDUCTOR	0UH
IC4506	6-708-703-01	IC SI9011CTU					
IC4800	8-753-270-44	IC CXD3814GB-TL					
IC4802	6-706-873-01	IC MT48LC4M16A2P-75:G					

REF. NO.	PART NO.	DESCRIPTION	REMARK	REF. NO.	PART NO.	DESCRIPTION	REMARK
L5907	1-456-583-11	INDUCTOR	0UH	R4009	1-218-959-11	RES-CHIP	3.3K 5% 1/16W
L5908	1-456-583-11	INDUCTOR	0UH	R4010	1-218-957-11	RES-CHIP	2.2K 5% 1/16W
L5909	1-456-583-11	INDUCTOR	0UH	R4011	1-218-990-81	SHORT CHIP	0
L5910	1-456-583-11	INDUCTOR	0UH	R4012	1-218-990-81	SHORT CHIP	0
L5911	1-456-583-11	INDUCTOR	0UH	R4023	1-218-990-81	SHORT CHIP	0
L5912	1-456-583-11	INDUCTOR	0UH	R4025	1-218-990-81	SHORT CHIP	0
L5913	1-456-583-11	INDUCTOR	0UH	R4026	1-218-990-81	SHORT CHIP	0
L5914	1-456-583-11	INDUCTOR	0UH	R4033	1-218-990-81	SHORT CHIP	0
		<TRANSISTOR>		R4034	1-218-990-81	SHORT CHIP	0
				R4036	1-218-990-81	SHORT CHIP	0
Q4300	6-551-382-01	TRANSISTOR	RSS040P03FD5TB	R4037	1-218-990-81	SHORT CHIP	0
Q4301	6-551-382-01	TRANSISTOR	RSS040P03FD5TB	R4038	1-218-956-11	RES-CHIP	1.8K 5% 1/16W
Q4302	6-551-382-01	TRANSISTOR	RSS040P03FD5TB	R4039	1-218-956-11	RES-CHIP	1.8K 5% 1/16W
Q4303	6-551-382-01	TRANSISTOR	RSS040P03FD5TB	R4040	1-218-990-81	SHORT CHIP	0
Q4304	6-550-586-01	TRANSISTOR	2PA1576R-115	R4041	1-218-990-81	SHORT CHIP	0
Q4305	6-550-585-01	TRANSISTOR	2PC4081R-115	R4045	1-218-990-81	SHORT CHIP	0
Q4306	6-551-382-01	TRANSISTOR	RSS040P03FD5TB	R4046	1-218-990-81	SHORT CHIP	0
Q4308	6-550-222-01	TRANSISTOR	IRF7335D1-TR	R4047	1-218-990-81	SHORT CHIP	0
Q4500	8-729-028-99	TRANSISTOR	DTC114YUA-T106	R4048	1-218-990-81	SHORT CHIP	0
Q4501	8-729-028-99	TRANSISTOR	DTC114YUA-T106	R4051	1-218-990-81	SHORT CHIP	0
Q4502	8-729-025-28	TRANSISTOR	2SK1828	R4052	1-218-990-81	SHORT CHIP	0
Q4503	8-729-025-28	TRANSISTOR	2SK1828	R4053	1-218-990-81	SHORT CHIP	0
Q4504	8-729-028-99	TRANSISTOR	DTC114YUA-T106	R4054	1-218-990-81	SHORT CHIP	0
Q4505	8-729-028-99	TRANSISTOR	DTC114YUA-T106	R4055	1-218-990-81	SHORT CHIP	0
Q4506	8-729-028-96	TRANSISTOR	DTC114EUA-T106	R4056	1-218-990-81	SHORT CHIP	0
Q4507	8-729-028-96	TRANSISTOR	DTC114EUA-T106	R4057	1-218-990-81	SHORT CHIP	0
Q4508	8-729-028-99	TRANSISTOR	DTC114YUA-T106	R4058	1-218-990-81	SHORT CHIP	0
Q4509	8-729-028-99	TRANSISTOR	DTC114YUA-T106	R4059	1-218-990-81	SHORT CHIP	0
Q4510	8-729-028-96	TRANSISTOR	DTC114EUA-T106	R4060	1-218-990-81	SHORT CHIP	0
Q4511	8-729-028-99	TRANSISTOR	DTC114YUA-T106	R4061	1-218-990-81	SHORT CHIP	0
Q4512	8-729-028-96	TRANSISTOR	DTC114EUA-T106	R4062	1-218-990-81	SHORT CHIP	0
Q4800	8-729-159-65	TRANSISTOR	2SD596-DV5	R4063	1-218-990-81	SHORT CHIP	0
Q4801	8-729-162-45	TRANSISTOR	2SB624-BV5	R4064	1-218-990-81	SHORT CHIP	0
Q4802	6-550-586-01	TRANSISTOR	2PA1576R-115	R4065	1-218-990-81	SHORT CHIP	0
Q4804	6-550-585-01	TRANSISTOR	2PC4081R-115	R4068	1-218-990-81	SHORT CHIP	0
Q4805	6-550-586-01	TRANSISTOR	2PA1576R-115	R4069	1-218-990-81	SHORT CHIP	0
Q4810	6-550-585-01	TRANSISTOR	2PC4081R-115	R4070	1-218-990-81	SHORT CHIP	0
Q4811	6-550-586-01	TRANSISTOR	2PA1576R-115	R4071	1-218-990-81	SHORT CHIP	0
Q4812	6-550-586-01	TRANSISTOR	2PA1576R-115	R4072	1-218-990-81	SHORT CHIP	0
Q4813	6-550-586-01	TRANSISTOR	2PA1576R-115	R4073	1-218-990-81	SHORT CHIP	0
Q4814	6-550-585-01	TRANSISTOR	2PC4081R-115	R4074	1-218-990-81	SHORT CHIP	0
Q4815	6-550-585-01	TRANSISTOR	2PC4081R-115	R4076	1-218-990-81	SHORT CHIP	0
Q4816	6-550-586-01	TRANSISTOR	2PA1576R-115	R4077	1-218-990-81	SHORT CHIP	0
Q4817	6-550-585-01	TRANSISTOR	2PC4081R-115	R4079	1-218-990-81	SHORT CHIP	0
Q4818	6-550-586-01	TRANSISTOR	2PA1576R-115	R4081	1-218-990-81	SHORT CHIP	0
Q4819	8-729-028-96	TRANSISTOR	DTC114EUA-T106	R4082	1-218-990-81	SHORT CHIP	0
Q5002	8-729-028-96	TRANSISTOR	DTC114EUA-T106	R4084	1-218-990-81	SHORT CHIP	0
Q5100	8-729-028-96	TRANSISTOR	DTC114EUA-T106	R4085	1-218-990-81	SHORT CHIP	0
Q5400	8-729-028-96	TRANSISTOR	DTC114EUA-T106	R4086	1-218-990-81	SHORT CHIP	0
Q5500	8-729-905-35	TRANSISTOR	2SC4081-R	R4089	1-218-990-81	SHORT CHIP	0
Q5501	8-729-905-35	TRANSISTOR	2SC4081-R	R4090	1-218-990-81	SHORT CHIP	0
Q5502	6-550-586-01	TRANSISTOR	2PA1576R-115	R4091	1-218-990-81	SHORT CHIP	0
Q5503	6-550-586-01	TRANSISTOR	2PA1576R-115	R4092	1-218-990-81	SHORT CHIP	0
Q5601	8-729-028-96	TRANSISTOR	DTC114EUA-T106	R4093	1-218-990-81	SHORT CHIP	0
Q5602	8-729-028-96	TRANSISTOR	DTC114EUA-T106	R4095	1-218-990-81	SHORT CHIP	0
Q5603	6-550-586-01	TRANSISTOR	2PA1576R-115	R4096	1-218-990-81	SHORT CHIP	0
		<RESISTOR>		R4097	1-218-990-81	SHORT CHIP	0
R4004	1-218-990-81	SHORT CHIP	0	R4098	1-218-990-81	SHORT CHIP	0
R4005	1-218-933-11	RES-CHIP	22 5% 1/16W	R4099	1-218-990-81	SHORT CHIP	0
R4006	1-218-933-11	RES-CHIP	22 5% 1/16W	R4100	1-218-990-81	SHORT CHIP	0
R4007	1-218-955-11	RES-CHIP	1.5K 5% 1/16W	R4101	1-218-990-81	SHORT CHIP	0
R4008	1-218-973-11	RES-CHIP	47K 5% 1/16W	R4102	1-218-990-81	SHORT CHIP	0
				R4103	1-218-990-81	SHORT CHIP	0
				R4104	1-218-990-81	SHORT CHIP	0
				R4105	1-218-990-81	SHORT CHIP	0

REF. NO.	PART NO.	DESCRIPTION	REMARK			REF. NO.	PART NO.	DESCRIPTION	REMARK		
R4106	1-218-990-81	SHORT CHIP	0			R4340	1-208-699-11	METAL CHIP	4.7K	0.5%	1/16W
R4107	1-218-990-81	SHORT CHIP	0			R4341	1-208-923-11	METAL CHIP	33K	0.5%	1/16W
R4108	1-218-990-81	SHORT CHIP	0			R4342	1-208-927-11	METAL CHIP	47K	0.5%	1/16W
R4109	1-218-950-11	RES-CHIP	560	5%	1/16W	R4343	1-208-699-11	METAL CHIP	4.7K	0.5%	1/16W
R4112	1-216-864-11	SHORT CHIP	0			R4344	1-208-909-11	METAL CHIP	8.2K	0.5%	1/16W
R4113	1-216-864-11	SHORT CHIP	0			R4345	1-208-927-11	METAL CHIP	47K	0.5%	1/16W
R4114	1-216-864-11	SHORT CHIP	0			R4346	1-218-967-11	RES-CHIP	15K	5%	1/16W
R4115	1-216-864-11	SHORT CHIP	0			R4347	1-218-949-11	RES-CHIP	470	5%	1/16W
R4116	1-216-864-11	SHORT CHIP	0			R4348	1-218-985-11	RES-CHIP	470K	5%	1/16W
R4117	1-216-864-11	SHORT CHIP	0			R4350	1-218-985-11	RES-CHIP	470K	5%	1/16W
R4118	1-216-864-11	SHORT CHIP	0			R4352	1-218-963-11	RES-CHIP	6.8K	5%	1/16W
R4119	1-216-864-11	SHORT CHIP	0			R4353	1-218-947-11	RES-CHIP	330	5%	1/16W
R4120	1-216-864-11	SHORT CHIP	0			R4354	1-218-990-81	SHORT CHIP	0		
R4121	1-216-864-11	SHORT CHIP	0			R4355	1-218-965-11	RES-CHIP	10K	5%	1/16W
R4122	1-216-864-11	SHORT CHIP	0			R4356	1-218-965-11	RES-CHIP	10K	5%	1/16W
R4205	1-218-990-81	SHORT CHIP	0			R4357	1-218-973-11	RES-CHIP	47K	5%	1/16W
R4206	1-218-990-81	SHORT CHIP	0			R4358	1-218-953-11	RES-CHIP	1K	5%	1/16W
R4207	1-218-990-81	SHORT CHIP	0			R4359	1-218-965-11	RES-CHIP	10K	5%	1/16W
R4208	1-218-990-81	SHORT CHIP	0			R4360	1-208-923-11	METAL CHIP	33K	0.5%	1/16W
R4209	1-218-965-11	RES-CHIP	10K	5%	1/16W	R4361	1-218-973-11	RES-CHIP	47K	5%	1/16W
R4210	1-218-990-81	SHORT CHIP	0			R4362	1-218-961-11	RES-CHIP	4.7K	5%	1/16W
R4214	1-218-990-81	SHORT CHIP	0			R4363	1-208-715-11	METAL CHIP	22K	0.5%	1/16W
R4215	1-218-990-81	SHORT CHIP	0			R4364	1-218-990-81	SHORT CHIP	0		
R4216	1-218-935-11	RES-CHIP	33	5%	1/16W	R4365	1-218-990-81	SHORT CHIP	0		
R4222	1-218-939-11	RES-CHIP	68	5%	1/16W	R4366	1-218-969-11	RES-CHIP	22K	5%	1/16W
R4223	1-218-939-11	RES-CHIP	68	5%	1/16W	R4368	1-208-911-11	METAL CHIP	10K	0.5%	1/16W
R4224	1-218-935-11	RES-CHIP	33	5%	1/16W	R4369	1-218-958-11	RES-CHIP	2.7K	5%	1/16W
R4225	1-218-990-81	SHORT CHIP	0			R4370	1-208-933-11	METAL CHIP	82K	0.5%	1/16W
R4226	1-218-990-81	SHORT CHIP	0			R4371	1-218-985-11	RES-CHIP	470K	5%	1/16W
R4230	1-218-990-81	SHORT CHIP	0			R4374	1-218-957-11	RES-CHIP	2.2K	5%	1/16W
R4231	1-218-965-11	RES-CHIP	10K	5%	1/16W	R4375	1-218-990-81	SHORT CHIP	0		
R4232	1-218-965-11	RES-CHIP	10K	5%	1/16W	R4384	1-218-963-11	RES-CHIP	6.8K	5%	1/16W
R4234	1-218-956-11	RES-CHIP	1.8K	5%	1/16W	R4386	1-208-933-11	METAL CHIP	82K	0.5%	1/16W
R4235	1-218-956-11	RES-CHIP	1.8K	5%	1/16W	R4387	1-208-923-11	METAL CHIP	33K	0.5%	1/16W
R4236	1-218-950-11	RES-CHIP	560	5%	1/16W	R4388	1-208-927-11	METAL CHIP	47K	0.5%	1/16W
R4237	1-218-990-81	SHORT CHIP	0			R4390	1-208-711-11	METAL CHIP	15K	0.5%	1/16W
R4238	1-218-990-81	SHORT CHIP	0			R4391	1-208-911-11	METAL CHIP	10K	0.5%	1/16W
R4239	1-218-990-81	SHORT CHIP	0			R4392	1-208-699-11	METAL CHIP	4.7K	0.5%	1/16W
R4240	1-218-990-81	SHORT CHIP	0			R4396	1-208-675-11	METAL CHIP	470	0.5%	1/16W
R4241	1-218-990-81	SHORT CHIP	0			R4397	1-218-990-81	SHORT CHIP	0		
R4242	1-218-990-81	SHORT CHIP	0			R4398	1-208-683-11	METAL CHIP	1K	0.5%	1/16W
R4243	1-218-990-81	SHORT CHIP	0			R4404	1-216-864-11	SHORT CHIP	0		
R4244	1-218-990-81	SHORT CHIP	0			R4405	1-216-864-11	SHORT CHIP	0		
R4245	1-218-990-81	SHORT CHIP	0			R4406	1-216-864-11	SHORT CHIP	0		
R4246	1-218-990-81	SHORT CHIP	0			R4407	1-216-864-11	SHORT CHIP	0		
R4271	1-218-990-81	SHORT CHIP	0			R4409	1-218-990-81	SHORT CHIP	0		
R4273	1-218-939-11	RES-CHIP	68	5%	1/16W	R4416	1-216-864-11	SHORT CHIP	0		
R4306	1-218-985-11	RES-CHIP	470K	5%	1/16W	R4422	1-218-990-81	SHORT CHIP	0		
R4308	1-218-985-11	RES-CHIP	470K	5%	1/16W	R4503	1-218-929-11	RES-CHIP	10	5%	1/16W
R4310	1-218-953-11	RES-CHIP	1K	5%	1/16W	R4504	1-218-929-11	RES-CHIP	10	5%	1/16W
R4311	1-218-953-11	RES-CHIP	1K	5%	1/16W	R4505	1-216-815-11	METAL CHIP	330	5%	1/10W
R4321	1-218-957-11	RES-CHIP	2.2K	5%	1/16W	R4506	1-216-815-11	METAL CHIP	330	5%	1/10W
R4322	1-218-957-11	RES-CHIP	2.2K	5%	1/16W	R4507	1-208-683-11	METAL CHIP	1K	0.5%	1/16W
R4324	1-208-699-11	METAL CHIP	4.7K	0.5%	1/16W	R4508	1-208-683-11	METAL CHIP	1K	0.5%	1/16W
R4325	1-208-923-11	METAL CHIP	33K	0.5%	1/16W	R4509	1-216-853-11	METAL CHIP	470K	5%	1/10W
R4326	1-208-927-11	METAL CHIP	47K	0.5%	1/16W	R4510	1-208-911-11	METAL CHIP	10K	0.5%	1/16W
R4327	1-218-958-11	METAL CHIP	2.7K	5%	1/16W	R4511	1-208-911-11	METAL CHIP	10K	0.5%	1/16W
R4328	1-208-931-11	METAL CHIP	68K	0.5%	1/16W	R4512	1-216-853-11	METAL CHIP	470K	5%	1/10W
R4329	1-208-927-11	METAL CHIP	47K	0.5%	1/16W	R4513	1-218-941-81	RES-CHIP	100	5%	1/16W
R4332	1-208-711-11	METAL CHIP	15K	0.5%	1/16W	R4514	1-218-941-81	RES-CHIP	100	5%	1/16W
R4333	1-208-911-11	METAL CHIP	10K	0.5%	1/16W	R4515	1-218-941-81	RES-CHIP	100	5%	1/16W
R4334	1-208-711-11	METAL CHIP	15K	0.5%	1/16W	R4516	1-218-941-81	RES-CHIP	100	5%	1/16W
R4335	1-208-911-11	METAL CHIP	10K	0.5%	1/16W	R4517	1-218-961-11	RES-CHIP	4.7K	5%	1/16W
R4336	1-208-905-11	METAL CHIP	5.6K	0.5%	1/16W	R4518	1-218-961-11	RES-CHIP	4.7K	5%	1/16W
R4337	1-208-905-11	METAL CHIP	5.6K	0.5%	1/16W	R4519	1-218-973-11	RES-CHIP	47K	5%	1/16W

REF. NO.	PART NO.	DESCRIPTION	REMARK	REF. NO.	PART NO.	DESCRIPTION	REMARK
R4520	1-218-973-11	RES-CHIP	47K 5% 1/16W	R4598	1-218-957-11	RES-CHIP	2.2K 5% 1/16W
R4521	1-218-973-11	RES-CHIP	47K 5% 1/16W	R4599	1-218-957-11	RES-CHIP	2.2K 5% 1/16W
R4522	1-218-973-11	RES-CHIP	47K 5% 1/16W	R4600	1-216-864-11	SHORT CHIP	0
R4523	1-218-973-11	RES-CHIP	47K 5% 1/16W	R4601	1-218-965-11	RES-CHIP	10K 5% 1/16W
R4524	1-218-973-11	RES-CHIP	47K 5% 1/16W	R4602	1-218-937-11	RES-CHIP	47 5% 1/16W
R4525	1-218-941-81	RES-CHIP	100 5% 1/16W	R4603	1-218-937-11	RES-CHIP	47 5% 1/16W
R4526	1-218-990-81	SHORT CHIP	0	R4605	1-216-864-11	SHORT CHIP	0
R4527	1-218-990-81	SHORT CHIP	0	R4609	1-218-990-81	SHORT CHIP	0
R4528	1-218-941-81	RES-CHIP	100 5% 1/16W	R4610	1-218-961-11	RES-CHIP	4.7K 5% 1/16W
R4529	1-218-990-81	SHORT CHIP	0	R4611	1-218-933-11	RES-CHIP	22 5% 1/16W
R4530	1-218-990-81	SHORT CHIP	0	R4612	1-218-937-11	RES-CHIP	47 5% 1/16W
R4533	1-218-990-81	SHORT CHIP	0	R4613	1-218-937-11	RES-CHIP	47 5% 1/16W
R4534	1-218-990-81	SHORT CHIP	0	R4614	1-218-937-11	RES-CHIP	47 5% 1/16W
R4535	1-218-990-81	SHORT CHIP	0	R4615	1-218-937-11	RES-CHIP	47 5% 1/16W
R4536	1-218-929-11	RES-CHIP	10 5% 1/16W	R4616	1-218-937-11	RES-CHIP	47 5% 1/16W
R4537	1-218-929-11	RES-CHIP	10 5% 1/16W	R4617	1-218-937-11	RES-CHIP	47 5% 1/16W
R4538	1-218-929-11	RES-CHIP	10 5% 1/16W	R4618	1-218-937-11	RES-CHIP	47 5% 1/16W
R4539	1-218-929-11	RES-CHIP	10 5% 1/16W	R4619	1-218-937-11	RES-CHIP	47 5% 1/16W
R4540	1-218-929-11	RES-CHIP	10 5% 1/16W	R4620	1-218-937-11	RES-CHIP	47 5% 1/16W
R4541	1-218-929-11	RES-CHIP	10 5% 1/16W	R4621	1-218-933-11	RES-CHIP	22 5% 1/16W
R4542	1-218-929-11	RES-CHIP	10 5% 1/16W	R4622	1-218-935-11	RES-CHIP	33 5% 1/16W
R4543	1-218-929-11	RES-CHIP	10 5% 1/16W	R4623	1-216-864-11	SHORT CHIP	0
R4544	1-218-990-81	SHORT CHIP	0	R4624	1-218-990-81	SHORT CHIP	0
R4545	1-218-990-81	SHORT CHIP	0	R4700	1-216-864-11	SHORT CHIP	0
R4546	1-218-929-11	RES-CHIP	10 5% 1/16W	R4701	1-216-864-11	SHORT CHIP	0
R4547	1-218-929-11	RES-CHIP	10 5% 1/16W	R4800	1-216-864-11	SHORT CHIP	0
R4548	1-218-929-11	RES-CHIP	10 5% 1/16W	R4801	1-218-990-81	SHORT CHIP	0
R4549	1-218-929-11	RES-CHIP	10 5% 1/16W	R4802	1-218-937-11	RES-CHIP	47 5% 1/16W
R4550	1-218-929-11	RES-CHIP	10 5% 1/16W	R4803	1-218-965-11	RES-CHIP	10K 5% 1/16W
R4551	1-218-929-11	RES-CHIP	10 5% 1/16W	R4804	1-218-935-11	RES-CHIP	33 5% 1/16W
R4552	1-218-929-11	RES-CHIP	10 5% 1/16W	R4811	1-218-929-11	RES-CHIP	10 5% 1/16W
R4553	1-218-929-11	RES-CHIP	10 5% 1/16W	R4812	1-218-929-11	RES-CHIP	10 5% 1/16W
R4554	1-218-961-11	RES-CHIP	4.7K 5% 1/16W	R4813	1-218-965-11	RES-CHIP	10K 5% 1/16W
R4555	1-218-961-11	RES-CHIP	4.7K 5% 1/16W	R4814	1-218-933-11	RES-CHIP	22 5% 1/16W
R4557	1-218-990-81	SHORT CHIP	0	R4815	1-218-958-11	RES-CHIP	2.7K 5% 1/16W
R4559	1-218-961-11	RES-CHIP	4.7K 5% 1/16W	R4819	1-218-929-11	RES-CHIP	10 5% 1/16W
R4560	1-218-961-11	RES-CHIP	4.7K 5% 1/16W	R4820	1-218-965-11	RES-CHIP	10K 5% 1/16W
R4561	1-218-965-11	RES-CHIP	10K 5% 1/16W	R4821	1-218-965-11	RES-CHIP	10K 5% 1/16W
R4562	1-218-965-11	RES-CHIP	10K 5% 1/16W	R4823	1-218-990-81	SHORT CHIP	0
R4563	1-218-965-11	RES-CHIP	10K 5% 1/16W	R4824	1-218-990-81	SHORT CHIP	0
R4572	1-218-951-11	RES-CHIP	680 5% 1/16W	R4825	1-218-990-81	SHORT CHIP	0
R4573	1-218-951-11	RES-CHIP	680 5% 1/16W	R4826	1-218-965-11	RES-CHIP	10K 5% 1/16W
R4574	1-208-699-11	METAL CHIP	4.7K 0.5% 1/16W	R4827	1-218-965-11	RES-CHIP	10K 5% 1/16W
R4575	1-218-965-11	RES-CHIP	10K 5% 1/16W	R4829	1-218-990-81	SHORT CHIP	0
R4576	1-218-951-11	RES-CHIP	680 5% 1/16W	R4831	1-220-884-81	METAL CHIP	39 0.5% 1/16W
R4577	1-218-990-81	SHORT CHIP	0	R4833	1-208-675-11	METAL CHIP	470 0.5% 1/16W
R4578	1-218-990-81	SHORT CHIP	0	R4835	1-208-695-11	METAL CHIP	3.3K 0.5% 1/16W
R4580	1-218-990-81	SHORT CHIP	0	R4836	1-208-893-11	METAL CHIP	1.8K 0.5% 1/16W
R4581	1-218-990-81	SHORT CHIP	0	R4837	1-218-849-11	METAL CHIP	1.2K 0.5% 1/10W
R4582	1-218-937-11	RES-CHIP	47 5% 1/16W	R4844	1-218-990-81	SHORT CHIP	0
R4583	1-218-937-11	RES-CHIP	47 5% 1/16W	R4845	1-218-937-11	RES-CHIP	47 5% 1/16W
R4584	1-218-937-11	RES-CHIP	47 5% 1/16W	R4846	1-218-945-11	METAL CHIP	220 5% 1/16W
R4585	1-218-937-11	RES-CHIP	47 5% 1/16W	R4847	1-208-699-11	METAL CHIP	4.7K 0.5% 1/16W
R4586	1-218-937-11	RES-CHIP	47 5% 1/16W	R4848	1-208-699-11	METAL CHIP	4.7K 0.5% 1/16W
R4587	1-218-937-11	RES-CHIP	47 5% 1/16W	R4849	1-218-943-11	RES-CHIP	150 5% 1/16W
R4588	1-218-937-11	RES-CHIP	47 5% 1/16W	R4851	1-218-951-11	RES-CHIP	680 5% 1/16W
R4589	1-218-937-11	RES-CHIP	47 5% 1/16W	R4852	1-218-941-11	METAL CHIP	100 5% 1/16W
R4590	1-218-929-11	RES-CHIP	10 5% 1/16W	R4854	1-218-941-11	METAL CHIP	100 5% 1/16W
R4591	1-218-929-11	RES-CHIP	10 5% 1/16W	R4855	1-218-937-11	RES-CHIP	47 5% 1/16W
R4592	1-218-929-11	RES-CHIP	10 5% 1/16W	R4856	1-218-937-11	RES-CHIP	47 5% 1/16W
R4593	1-218-929-11	RES-CHIP	10 5% 1/16W	R4858	1-218-929-11	RES-CHIP	10 5% 1/16W
R4594	1-218-929-11	RES-CHIP	10 5% 1/16W	R4860	1-218-929-11	RES-CHIP	10 5% 1/16W
R4595	1-218-929-11	RES-CHIP	10 5% 1/16W	R4862	1-218-941-11	METAL CHIP	100 5% 1/16W
R4596	1-218-929-11	RES-CHIP	10 5% 1/16W	R4863	1-218-941-11	METAL CHIP	100 5% 1/16W
R4597	1-218-929-11	RES-CHIP	10 5% 1/16W	R4864	1-218-929-11	RES-CHIP	10 5% 1/16W

REF. NO.	PART NO.	DESCRIPTION	REMARK	REF. NO.	PART NO.	DESCRIPTION	REMARK
R4865	1-218-945-11	METAL CHIP	220 5% 1/16W	R4945	1-218-941-81	RES-CHIP	100 5% 1/16W
R4866	1-218-990-81	SHORT CHIP	0	R4947	1-218-665-11	METAL CHIP	75 0.5% 1/10W
R4867	1-208-663-11	METAL CHIP	150 0.5% 1/16W	R4948	1-218-665-11	METAL CHIP	75 0.5% 1/10W
R4868	1-208-635-11	METAL CHIP	10 0.5% 1/16W	R4949	1-218-665-11	METAL CHIP	75 0.5% 1/10W
R4869	1-218-945-11	METAL CHIP	220 5% 1/16W	R5002	1-218-937-11	RES-CHIP	47 5% 1/16W
R4870	1-218-953-11	RES-CHIP	1K 5% 1/16W	R5003	1-218-945-11	RES-CHIP	220 5% 1/16W
R4874	1-218-945-11	METAL CHIP	220 5% 1/16W	R5004	1-218-933-11	RES-CHIP	22 5% 1/16W
R4875	1-218-990-81	SHORT CHIP	0	R5005	1-218-933-11	RES-CHIP	22 5% 1/16W
R4876	1-208-663-11	METAL CHIP	150 0.5% 1/16W	R5006	1-218-941-81	RES-CHIP	100 5% 1/16W
R4877	1-208-635-11	METAL CHIP	10 0.5% 1/16W	R5007	1-218-941-81	RES-CHIP	100 5% 1/16W
R4878	1-218-945-11	METAL CHIP	220 5% 1/16W	R5008	1-218-933-11	RES-CHIP	22 5% 1/16W
R4879	1-208-911-11	METAL CHIP	10K 0.5% 1/16W	R5009	1-218-933-11	RES-CHIP	22 5% 1/16W
R4880	1-208-683-11	METAL CHIP	1K 0.5% 1/16W	R5010	1-218-990-81	SHORT CHIP	0
R4881	1-218-941-11	METAL CHIP	100 5% 1/16W	R5013	1-218-937-11	RES-CHIP	47 5% 1/16W
R4882	1-218-941-81	RES-CHIP	100 5% 1/16W	R5014	1-218-937-11	RES-CHIP	47 5% 1/16W
R4883	1-218-941-81	RES-CHIP	100 5% 1/16W	R5016	1-218-969-11	RES-CHIP	22K 5% 1/16W
R4884	1-218-941-81	RES-CHIP	100 5% 1/16W	R5017	1-218-985-11	RES-CHIP	470K 5% 1/16W
R4885	1-218-941-81	RES-CHIP	100 5% 1/16W	R5018	1-218-933-11	RES-CHIP	22 5% 1/16W
R4886	1-218-941-81	RES-CHIP	100 5% 1/16W	R5019	1-218-945-11	RES-CHIP	220 5% 1/16W
R4887	1-218-941-81	RES-CHIP	100 5% 1/16W	R5021	1-218-945-11	RES-CHIP	220 5% 1/16W
R4888	1-218-941-81	RES-CHIP	100 5% 1/16W	R5022	1-218-947-11	RES-CHIP	330 5% 1/16W
R4890	1-216-818-11	METAL CHIP	560 5% 1/10W	R5024	1-218-990-81	SHORT CHIP	0
R4891	1-216-818-11	METAL CHIP	560 5% 1/10W	R5025	1-218-990-81	SHORT CHIP	0
R4892	1-218-965-11	RES-CHIP	10K 5% 1/16W	R5026	1-208-893-11	METAL CHIP	1.8K 0.5% 1/16W
R4893	1-218-965-11	RES-CHIP	10K 5% 1/16W	R5027	1-218-985-11	RES-CHIP	470K 5% 1/16W
R4894	1-208-695-11	METAL CHIP	3.3K 0.5% 1/16W	R5029	1-218-933-11	RES-CHIP	22 5% 1/16W
R4896	1-218-953-11	RES-CHIP	1K 5% 1/16W	R5030	1-218-933-11	RES-CHIP	22 5% 1/16W
R4898	1-208-885-11	METAL CHIP	820 0.5% 1/16W	R5031	1-218-933-11	RES-CHIP	22 5% 1/16W
R4899	1-218-958-11	RES-CHIP	2.7K 5% 1/16W	R5036	1-218-969-11	RES-CHIP	22K 5% 1/16W
R4900	1-218-953-11	RES-CHIP	1K 5% 1/16W	R5037	1-218-965-11	RES-CHIP	10K 5% 1/16W
R4901	1-218-953-11	RES-CHIP	1K 5% 1/16W	R5038	1-208-695-11	METAL CHIP	3.3K 0.5% 1/16W
R4902	1-218-990-81	SHORT CHIP	0	R5039	1-218-990-81	SHORT CHIP	0
R4903	1-218-990-81	SHORT CHIP	0	R5041	1-218-990-81	SHORT CHIP	0
R4904	1-218-951-11	RES-CHIP	680 5% 1/16W	R5048	1-218-990-81	SHORT CHIP	0
R4905	1-218-990-81	SHORT CHIP	0	R5049	1-218-990-81	SHORT CHIP	0
R4907	1-218-941-81	RES-CHIP	100 5% 1/16W	R5050	1-218-990-81	SHORT CHIP	0
R4908	1-218-941-81	RES-CHIP	100 5% 1/16W	R5051	1-218-990-81	SHORT CHIP	0
R4909	1-218-941-81	RES-CHIP	100 5% 1/16W	R5052	1-218-990-81	SHORT CHIP	0
R4911	1-218-951-11	RES-CHIP	680 5% 1/16W	R5053	1-218-990-81	SHORT CHIP	0
R4912	1-218-990-81	SHORT CHIP	0	R5108	1-218-969-11	RES-CHIP	22K 5% 1/16W
R4913	1-218-951-11	RES-CHIP	680 5% 1/16W	R5109	1-218-969-11	RES-CHIP	22K 5% 1/16W
R4914	1-218-990-81	SHORT CHIP	0	R5110	1-218-969-11	RES-CHIP	22K 5% 1/16W
R4915	1-218-990-81	SHORT CHIP	0	R5111	1-218-990-81	SHORT CHIP	0
R4917	1-218-951-11	RES-CHIP	680 5% 1/16W	R5112	1-218-990-81	SHORT CHIP	0
R4918	1-218-990-81	SHORT CHIP	0	R5114	1-218-990-81	SHORT CHIP	0
R4920	1-218-935-11	RES-CHIP	33 5% 1/16W	R5115	1-218-949-11	RES-CHIP	470 5% 1/16W
R4921	1-218-953-11	RES-CHIP	1K 5% 1/16W	R5116	1-218-973-11	RES-CHIP	47K 5% 1/16W
R4922	1-208-677-11	METAL CHIP	560 0.5% 1/16W	R5119	1-218-990-81	SHORT CHIP	0
R4923	1-218-990-81	SHORT CHIP	0	R5120	1-216-864-11	SHORT CHIP	0
R4924	1-208-703-11	METAL CHIP	6.8K 0.5% 1/16W	R5122	1-218-965-11	RES-CHIP	10K 5% 1/16W
R4925	1-218-933-11	RES-CHIP	22 5% 1/16W	R5123	1-218-990-81	SHORT CHIP	0
R4927	1-218-990-81	SHORT CHIP	0	R5124	1-218-990-81	SHORT CHIP	0
R4928	1-218-990-81	SHORT CHIP	0	R5126	1-218-990-81	SHORT CHIP	0
R4929	1-218-990-81	SHORT CHIP	0	R5127	1-208-893-11	METAL CHIP	1.8K 0.5% 1/16W
R4932	1-218-937-11	RES-CHIP	47 5% 1/16W	R5128	1-218-849-11	METAL CHIP	1.2K 0.5% 1/10W
R4933	1-218-990-81	SHORT CHIP	0	R5129	1-218-929-11	RES-CHIP	10 5% 1/16W
R4934	1-218-933-11	RES-CHIP	22 5% 1/16W	R5130	1-218-950-11	RES-CHIP	560 5% 1/16W
R4935	1-218-965-11	RES-CHIP	10K 5% 1/16W	R5132	1-218-935-11	RES-CHIP	33 5% 1/16W
R4937	1-218-990-81	SHORT CHIP	0	R5134	1-218-969-11	RES-CHIP	22K 5% 1/16W
R4938	1-218-933-11	RES-CHIP	22 5% 1/16W	R5135	1-218-969-11	RES-CHIP	22K 5% 1/16W
R4939	1-218-990-81	SHORT CHIP	0	R5136	1-218-969-11	RES-CHIP	22K 5% 1/16W
R4940	1-218-990-81	SHORT CHIP	0	R5137	1-218-990-81	SHORT CHIP	0
R4941	1-218-947-11	RES-CHIP	330 5% 1/16W	R5138	1-218-990-81	SHORT CHIP	0
R4942	1-218-929-11	RES-CHIP	10 5% 1/16W	R5140	1-218-965-11	RES-CHIP	10K 5% 1/16W
R4944	1-218-941-81	RES-CHIP	100 5% 1/16W	R5141	1-218-935-11	RES-CHIP	33 5% 1/16W

REF. NO.	PART NO.	DESCRIPTION	REMARK	REF. NO.	PART NO.	DESCRIPTION	REMARK			
R5142	1-218-941-81	RES-CHIP	100	5%	1/16W	R5305	1-218-990-81	SHORT CHIP	0	
R5146	1-218-965-11	RES-CHIP	10K	5%	1/16W	R5307	1-218-933-11	RES-CHIP	22	5% 1/16W
R5147	1-218-935-11	RES-CHIP	33	5%	1/16W	R5308	1-218-933-11	RES-CHIP	22	5% 1/16W
R5148	1-218-990-81	SHORT CHIP	0			R5309	1-218-933-11	RES-CHIP	22	5% 1/16W
R5151	1-218-990-81	SHORT CHIP	0			R5310	1-218-933-11	RES-CHIP	22	5% 1/16W
R5152	1-218-990-81	SHORT CHIP	0			R5311	1-218-933-11	RES-CHIP	22	5% 1/16W
R5155	1-218-965-11	RES-CHIP	10K	5%	1/16W	R5312	1-218-933-11	RES-CHIP	22	5% 1/16W
R5156	1-218-965-11	RES-CHIP	10K	5%	1/16W	R5313	1-218-965-11	RES-CHIP	10K	5% 1/16W
R5157	1-218-937-11	RES-CHIP	47	5%	1/16W	R5315	1-218-933-11	RES-CHIP	22	5% 1/16W
R5158	1-218-937-11	RES-CHIP	47	5%	1/16W	R5316	1-218-933-11	RES-CHIP	22	5% 1/16W
R5159	1-218-937-11	RES-CHIP	47	5%	1/16W	R5318	1-218-933-11	RES-CHIP	22	5% 1/16W
R5160	1-218-937-11	RES-CHIP	47	5%	1/16W	R5319	1-218-933-11	RES-CHIP	22	5% 1/16W
R5162	1-218-990-81	SHORT CHIP	0			R5320	1-218-933-11	RES-CHIP	22	5% 1/16W
R5164	1-218-965-11	RES-CHIP	10K	5%	1/16W	R5321	1-218-933-11	RES-CHIP	22	5% 1/16W
R5165	1-218-965-11	RES-CHIP	10K	5%	1/16W	R5322	1-218-933-11	RES-CHIP	22	5% 1/16W
R5166	1-218-935-11	RES-CHIP	33	5%	1/16W	R5323	1-218-933-11	RES-CHIP	22	5% 1/16W
R5167	1-218-937-11	RES-CHIP	47	5%	1/16W	R5324	1-218-933-11	RES-CHIP	22	5% 1/16W
R5168	1-218-935-11	RES-CHIP	33	5%	1/16W	R5325	1-218-937-11	RES-CHIP	47	5% 1/16W
R5169	1-218-957-11	RES-CHIP	2.2K	5%	1/16W	R5326	1-218-937-11	RES-CHIP	47	5% 1/16W
R5170	1-218-965-11	RES-CHIP	10K	5%	1/16W	R5327	1-218-937-11	RES-CHIP	47	5% 1/16W
R5171	1-218-965-11	RES-CHIP	10K	5%	1/16W	R5328	1-218-937-11	RES-CHIP	47	5% 1/16W
R5172	1-218-969-11	RES-CHIP	22K	5%	1/16W	R5329	1-218-937-11	RES-CHIP	47	5% 1/16W
R5173	1-218-957-11	RES-CHIP	2.2K	5%	1/16W	R5330	1-218-937-11	RES-CHIP	47	5% 1/16W
R5174	1-218-965-11	RES-CHIP	10K	5%	1/16W	R5331	1-218-937-11	RES-CHIP	47	5% 1/16W
R5178	1-218-957-11	RES-CHIP	2.2K	5%	1/16W	R5332	1-218-937-11	RES-CHIP	47	5% 1/16W
R5179	1-218-977-11	RES-CHIP	100K	5%	1/16W	R5333	1-218-990-81	SHORT CHIP	0	
R5180	1-218-957-11	RES-CHIP	2.2K	5%	1/16W	R5334	1-218-933-11	RES-CHIP	22	5% 1/16W
R5181	1-218-965-11	RES-CHIP	10K	5%	1/16W	R5335	1-218-933-11	RES-CHIP	22	5% 1/16W
R5182	1-218-929-11	RES-CHIP	10	5%	1/16W	R5336	1-218-933-11	RES-CHIP	22	5% 1/16W
R5183	1-218-965-11	RES-CHIP	10K	5%	1/16W	R5337	1-218-933-11	RES-CHIP	22	5% 1/16W
R5184	1-218-990-81	SHORT CHIP	0			R5339	1-216-295-91	SHORT CHIP	0	
R5185	1-218-953-11	RES-CHIP	1K	5%	1/16W	R5340	1-218-933-11	RES-CHIP	22	5% 1/16W
R5189	1-218-965-11	RES-CHIP	10K	5%	1/16W	R5341	1-218-933-11	RES-CHIP	22	5% 1/16W
R5190	1-218-965-11	RES-CHIP	10K	5%	1/16W	R5342	1-218-933-11	RES-CHIP	22	5% 1/16W
R5193	1-218-935-11	RES-CHIP	33	5%	1/16W	R5343	1-218-937-11	RES-CHIP	47	5% 1/16W
R5194	1-218-935-11	RES-CHIP	33	5%	1/16W	R5344	1-218-933-11	RES-CHIP	22	5% 1/16W
R5195	1-218-935-11	RES-CHIP	33	5%	1/16W	R5345	1-218-937-11	RES-CHIP	47	5% 1/16W
R5196	1-218-965-11	RES-CHIP	10K	5%	1/16W	R5346	1-218-937-11	RES-CHIP	47	5% 1/16W
R5197	1-218-973-11	RES-CHIP	47K	5%	1/16W	R5347	1-218-937-11	RES-CHIP	47	5% 1/16W
R5201	1-218-953-11	RES-CHIP	1K	5%	1/16W	R5348	1-218-937-11	RES-CHIP	47	5% 1/16W
R5202	1-218-965-11	RES-CHIP	10K	5%	1/16W	R5349	1-218-937-11	RES-CHIP	47	5% 1/16W
R5203	1-218-941-81	RES-CHIP	100	5%	1/16W	R5350	1-218-937-11	RES-CHIP	47	5% 1/16W
R5204	1-218-990-81	SHORT CHIP	0			R5351	1-218-937-11	RES-CHIP	47	5% 1/16W
R5205	1-218-965-11	RES-CHIP	10K	5%	1/16W	R5352	1-218-937-11	RES-CHIP	47	5% 1/16W
R5206	1-218-965-11	RES-CHIP	10K	5%	1/16W	R5353	1-218-937-11	RES-CHIP	47	5% 1/16W
R5207	1-218-945-11	RES-CHIP	220	5%	1/16W	R5354	1-218-937-11	RES-CHIP	47	5% 1/16W
R5208	1-218-990-81	SHORT CHIP	0			R5355	1-218-937-11	RES-CHIP	47	5% 1/16W
R5209	1-218-965-11	RES-CHIP	10K	5%	1/16W	R5356	1-218-990-81	SHORT CHIP	0	
R5211	1-218-990-81	SHORT CHIP	0			R5357	1-218-933-11	RES-CHIP	22	5% 1/16W
R5212	1-218-937-11	RES-CHIP	47	5%	1/16W	R5358	1-218-933-11	RES-CHIP	22	5% 1/16W
R5213	1-218-937-11	RES-CHIP	47	5%	1/16W	R5365	1-216-295-91	SHORT CHIP	0	
R5214	1-218-937-11	RES-CHIP	47	5%	1/16W	R5366	1-218-990-81	SHORT CHIP	0	
R5215	1-218-969-11	RES-CHIP	22K	5%	1/16W	R5405	1-218-965-11	RES-CHIP	10K	5% 1/16W
R5216	1-218-969-11	RES-CHIP	22K	5%	1/16W	R5406	1-218-965-11	RES-CHIP	10K	5% 1/16W
R5217	1-218-969-11	RES-CHIP	22K	5%	1/16W	R5407	1-218-965-11	RES-CHIP	10K	5% 1/16W
R5218	1-218-990-81	SHORT CHIP	0			R5409	1-218-933-11	RES-CHIP	22	5% 1/16W
R5220	1-218-965-11	RES-CHIP	10K	5%	1/16W	R5411	1-218-990-81	SHORT CHIP	0	
R5221	1-218-965-11	RES-CHIP	10K	5%	1/16W	R5412	1-218-965-11	RES-CHIP	10K	5% 1/16W
R5222	1-218-941-81	RES-CHIP	100	5%	1/16W	R5415	1-218-933-11	RES-CHIP	22	5% 1/16W
R5223	1-218-939-11	RES-CHIP	68	5%	1/16W	R5417	1-218-939-11	RES-CHIP	68	5% 1/16W
R5300	1-218-933-11	RES-CHIP	22	5%	1/16W	R5418	1-218-939-11	RES-CHIP	68	5% 1/16W
R5301	1-218-990-81	SHORT CHIP	0			R5422	1-218-990-81	SHORT CHIP	0	
R5302	1-218-965-11	RES-CHIP	10K	5%	1/16W	R5423	1-218-990-81	SHORT CHIP	0	
R5303	1-218-933-11	RES-CHIP	22	5%	1/16W	R5424	1-218-965-11	RES-CHIP	10K	5% 1/16W
R5304	1-218-933-11	RES-CHIP	22	5%	1/16W	R5432	1-218-990-81	SHORT CHIP	0	

REF. NO.	PART NO.	DESCRIPTION	REMARK	REF. NO.	PART NO.	DESCRIPTION	REMARK
R5433	1-218-990-81	SHORT CHIP	0	R5651	1-218-965-11	RES-CHIP	10K 5% 1/16W
R5443	1-218-990-81	SHORT CHIP	0	R5652	1-218-933-11	RES-CHIP	22 5% 1/16W
R5444	1-218-941-81	RES-CHIP	100 5% 1/16W	R5653	1-218-933-11	RES-CHIP	22 5% 1/16W
R5445	1-218-941-81	RES-CHIP	100 5% 1/16W	R5654	1-218-965-11	RES-CHIP	10K 5% 1/16W
R5448	1-218-990-81	SHORT CHIP	0	R5655	1-218-933-11	RES-CHIP	22 5% 1/16W
R5449	1-218-990-81	SHORT CHIP	0	R5656	1-218-965-11	RES-CHIP	10K 5% 1/16W
R5450	1-218-990-81	SHORT CHIP	0	R5657	1-218-933-11	RES-CHIP	22 5% 1/16W
R5500	1-218-990-81	SHORT CHIP	0	R5661	1-218-933-11	RES-CHIP	22 5% 1/16W
R5501	1-218-990-81	SHORT CHIP	0	R5662	1-218-933-11	RES-CHIP	22 5% 1/16W
R5509	1-218-955-11	RES-CHIP	1.5K 5% 1/16W	R5663	1-218-941-81	RES-CHIP	100 5% 1/16W
R5511	1-218-955-11	RES-CHIP	1.5K 5% 1/16W	R5665	1-218-961-11	RES-CHIP	4.7K 5% 1/16W
R5512	1-218-952-11	RES-CHIP	820 5% 1/16W	R5667	1-218-961-11	RES-CHIP	4.7K 5% 1/16W
R5515	1-218-952-11	RES-CHIP	820 5% 1/16W	R5668	1-218-961-11	RES-CHIP	4.7K 5% 1/16W
R5516	1-216-818-11	METAL CHIP	560 5% 1/10W	R5669	1-218-961-11	RES-CHIP	4.7K 5% 1/16W
R5517	1-218-990-81	SHORT CHIP	0	R5670	1-218-965-11	RES-CHIP	10K 5% 1/16W
R5518	1-216-818-11	METAL CHIP	560 5% 1/10W	R5672	1-218-965-11	RES-CHIP	10K 5% 1/16W
R5519	1-218-990-81	SHORT CHIP	0	R5674	1-218-965-11	RES-CHIP	10K 5% 1/16W
R5525	1-218-864-11	SHORT CHIP	0	R5675	1-218-965-11	RES-CHIP	10K 5% 1/16W
R5526	1-218-937-11	RES-CHIP	47 5% 1/16W	R5676	1-218-965-11	RES-CHIP	10K 5% 1/16W
R5527	1-218-937-11	RES-CHIP	47 5% 1/16W	R5677	1-218-965-11	RES-CHIP	10K 5% 1/16W
R5528	1-218-969-11	RES-CHIP	22K 5% 1/16W	R5679	1-218-990-81	SHORT CHIP	0
R5532	1-218-933-11	RES-CHIP	22 5% 1/16W	R5681	1-218-965-11	RES-CHIP	10K 5% 1/16W
R5533	1-218-933-11	RES-CHIP	22 5% 1/16W	R5682	1-218-941-81	RES-CHIP	100 5% 1/16W
R5534	1-218-933-11	RES-CHIP	22 5% 1/16W	R5683	1-218-941-81	RES-CHIP	100 5% 1/16W
R5535	1-218-990-81	SHORT CHIP	0	R5684	1-218-941-81	RES-CHIP	100 5% 1/16W
R5536	1-216-864-11	SHORT CHIP	0	R5685	1-208-711-11	METAL CHIP	15K 0.5% 1/16W
R5542	1-218-990-81	SHORT CHIP	0	R5686	1-218-990-81	SHORT CHIP	0
R5543	1-218-990-81	SHORT CHIP	0	R5687	1-218-965-11	RES-CHIP	10K 5% 1/16W
R5546	1-218-937-11	RES-CHIP	47 5% 1/16W	R5689	1-218-941-81	RES-CHIP	100 5% 1/16W
R5600	1-218-990-81	SHORT CHIP	0	R5690	1-218-965-11	RES-CHIP	10K 5% 1/16W
R5605	1-218-990-81	SHORT CHIP	0	R5692	1-218-933-11	RES-CHIP	22 5% 1/16W
R5606	1-218-941-81	RES-CHIP	100 5% 1/16W	R5693	1-218-933-11	RES-CHIP	22 5% 1/16W
R5611	1-218-965-11	RES-CHIP	10K 5% 1/16W	R5694	1-218-965-11	RES-CHIP	10K 5% 1/16W
R5612	1-218-965-11	RES-CHIP	10K 5% 1/16W	R5702	1-218-990-81	SHORT CHIP	0
R5614	1-218-965-11	RES-CHIP	10K 5% 1/16W	R5713	1-208-699-11	METAL CHIP	4.7K 0.5% 1/16W
R5615	1-218-965-11	RES-CHIP	10K 5% 1/16W	R5714	1-208-893-11	METAL CHIP	1.8K 0.5% 1/16W
R5617	1-218-965-11	RES-CHIP	10K 5% 1/16W	R5718	1-208-687-11	METAL CHIP	1.5K 0.5% 1/16W
R5618	1-218-965-11	RES-CHIP	10K 5% 1/16W	R5734	1-218-965-11	RES-CHIP	10K 5% 1/16W
R5619	1-218-965-11	RES-CHIP	10K 5% 1/16W	R5738	1-218-965-11	RES-CHIP	10K 5% 1/16W
R5621	1-218-965-11	RES-CHIP	10K 5% 1/16W	R5800	1-218-990-81	SHORT CHIP	0
R5623	1-218-965-11	RES-CHIP	10K 5% 1/16W	R5801	1-218-937-11	RES-CHIP	47 5% 1/16W
R5624	1-218-990-81	SHORT CHIP	0	R5802	1-218-990-81	SHORT CHIP	0
R5625	1-218-965-11	RES-CHIP	10K 5% 1/16W	R5803	1-218-990-81	SHORT CHIP	0
R5626	1-218-965-11	RES-CHIP	10K 5% 1/16W	R5806	1-218-965-11	RES-CHIP	10K 5% 1/16W
R5627	1-218-965-11	RES-CHIP	10K 5% 1/16W	R5820	1-218-990-81	SHORT CHIP	0
R5628	1-218-965-11	RES-CHIP	10K 5% 1/16W	R5821	1-218-990-81	SHORT CHIP	0
R5629	1-218-965-11	RES-CHIP	10K 5% 1/16W	R5822	1-218-990-81	SHORT CHIP	0
R5631	1-218-965-11	RES-CHIP	10K 5% 1/16W	R5823	1-218-965-11	RES-CHIP	10K 5% 1/16W
R5632	1-218-941-81	RES-CHIP	100 5% 1/16W	R5825	1-218-965-11	RES-CHIP	10K 5% 1/16W
R5633	1-218-965-11	RES-CHIP	10K 5% 1/16W	R5827	1-218-933-11	RES-CHIP	22 5% 1/16W
R5634	1-218-941-81	RES-CHIP	100 5% 1/16W	R5828	1-218-939-11	RES-CHIP	68 5% 1/16W
R5635	1-218-965-11	RES-CHIP	10K 5% 1/16W	R5829	1-218-933-11	RES-CHIP	22 5% 1/16W
R5636	1-218-955-11	RES-CHIP	1.5K 5% 1/16W	R5830	1-218-990-81	SHORT CHIP	0
R5637	1-218-965-11	RES-CHIP	10K 5% 1/16W	R5832	1-218-939-11	RES-CHIP	68 5% 1/16W
R5638	1-218-933-11	RES-CHIP	22 5% 1/16W	R5833	1-218-939-11	RES-CHIP	68 5% 1/16W
R5639	1-218-941-81	RES-CHIP	100 5% 1/16W	R5837	1-216-864-11	SHORT CHIP	0
R5641	1-218-933-11	RES-CHIP	22 5% 1/16W	R5841	1-216-864-11	SHORT CHIP	0
R5643	1-218-965-11	RES-CHIP	10K 5% 1/16W	R5842	1-208-663-11	METAL CHIP	150 0.5% 1/16W
R5644	1-218-965-11	RES-CHIP	10K 5% 1/16W	R5843	1-208-663-11	METAL CHIP	150 0.5% 1/16W
R5645	1-218-990-81	SHORT CHIP	0	R5844	1-208-663-11	METAL CHIP	150 0.5% 1/16W
R5646	1-218-965-11	RES-CHIP	10K 5% 1/16W	R5845	1-208-663-11	METAL CHIP	150 0.5% 1/16W
R5647	1-218-965-11	RES-CHIP	10K 5% 1/16W	R5846	1-218-949-11	RES-CHIP	470 5% 1/16W
R5648	1-218-965-11	RES-CHIP	10K 5% 1/16W	R5847	1-208-663-11	METAL CHIP	150 0.5% 1/16W
R5649	1-218-990-81	SHORT CHIP	0	R5848	1-208-663-11	METAL CHIP	150 0.5% 1/16W
R5650	1-218-965-11	RES-CHIP	10K 5% 1/16W	R5849	1-218-989-11	RES-CHIP	1M 5% 1/16W

REF. NO.	PART NO.	DESCRIPTION	REMARK	REF. NO.	PART NO.	DESCRIPTION	REMARK
R5850	1-208-911-11	METAL CHIP 10K	0.5% 1/16W	RB5111	1-234-881-21	RES, CHIP NETWORK 22KX8 (3816)	
R5851	1-208-911-11	METAL CHIP 10K	0.5% 1/16W	RB5113	1-234-378-21	RES, NETWORK 10K (1005X4)	
R5852	1-208-911-11	METAL CHIP 10K	0.5% 1/16W	RB5114	1-234-710-21	RES, CHIP NETWORK 47X8 (3816)	
R5853	1-208-911-11	METAL CHIP 10K	0.5% 1/16W				
R5854	1-208-911-11	METAL CHIP 10K	0.5% 1/16W	RB5115	1-234-710-21	RES, CHIP NETWORK 47X8 (3816)	
R5855	1-208-911-11	METAL CHIP 10K	0.5% 1/16W	RB5116	1-234-881-21	RES, CHIP NETWORK 22KX8 (3816)	
R5901	1-218-990-81	SHORT CHIP 0		RB5117	1-234-881-21	RES, CHIP NETWORK 22KX8 (3816)	
R5902	1-218-990-81	SHORT CHIP 0		RB5118	1-234-881-21	RES, CHIP NETWORK 22KX8 (3816)	
R5904	1-218-990-81	SHORT CHIP 0		RB5119	1-234-881-21	RES, CHIP NETWORK 22KX8 (3816)	
R5907	1-218-990-81	SHORT CHIP 0					
R5908	1-218-990-81	SHORT CHIP 0		RB5120	1-234-785-21	RES, CHIP NETWORK 100X8 (3816)	
R5909	1-218-990-81	SHORT CHIP 0		RB5121	1-234-785-21	RES, CHIP NETWORK 100X8 (3816)	
R5912	1-218-961-11	RES-CHIP 4.7K	5% 1/16W	RB5300	1-234-370-21	RES, NETWORK 22 (1005X4)	
R5913	1-218-961-11	RES-CHIP 4.7K	5% 1/16W	RB5301	1-234-711-21	RES, CHIP NETWORK 22X8 (3816)	
R5915	1-218-965-11	RES-CHIP 10K	5% 1/16W	RB5302	1-234-711-21	RES, CHIP NETWORK 22X8 (3816)	
R5917	1-218-965-11	RES-CHIP 10K	5% 1/16W	RB5303	1-234-711-21	RES, CHIP NETWORK 22X8 (3816)	
R5919	1-218-965-11	RES-CHIP 10K	5% 1/16W	RB5304	1-234-370-21	RES, NETWORK 22 (1005X4)	
R5921	1-218-965-11	RES-CHIP 10K	5% 1/16W	RB5305	1-234-370-21	RES, NETWORK 22 (1005X4)	
R5923	1-218-965-11	RES-CHIP 10K	5% 1/16W	RB5306	1-234-370-21	RES, NETWORK 22 (1005X4)	
R5925	1-218-965-11	RES-CHIP 10K	5% 1/16W	RB5307	1-234-370-21	RES, NETWORK 22 (1005X4)	
R5926	1-218-965-11	RES-CHIP 10K	5% 1/16W	RB5308	1-234-370-21	RES, NETWORK 22 (1005X4)	
R5928	1-218-965-11	RES-CHIP 10K	5% 1/16W	RB5309	1-234-370-21	RES, NETWORK 22 (1005X4)	
R5934	1-218-933-11	RES-CHIP 22	5% 1/16W	RB5310	1-234-370-21	RES, NETWORK 22 (1005X4)	
R5935	1-218-933-11	RES-CHIP 22	5% 1/16W	RB5311	1-234-711-21	RES, CHIP NETWORK 22X8 (3816)	
R5936	1-218-990-81	SHORT CHIP 0		RB5312	1-234-370-21	RES, NETWORK 22 (1005X4)	
<NETWORK>							
RB4201	1-234-799-21	RES, CHIP NETWORK 10KX8 (3816)		RB5313	1-234-378-21	RES, NETWORK 10K (1005X4)	
RB4203	1-234-892-21	RES, CHIP NETWORK 33X8 (3816)		RB5314	1-234-378-21	RES, NETWORK 10K (1005X4)	
RB4205	1-234-785-21	RES, CHIP NETWORK 100X8 (3816)		RB5315	1-234-370-21	RES, NETWORK 22 (1005X4)	
RB4206	1-234-887-21	RES, CHIP NETWORK 0X8 (3816)		RB5316	1-234-370-21	RES, NETWORK 22 (1005X4)	
RB4207	1-234-785-21	RES, CHIP NETWORK 100X8 (3816)		RB5317	1-234-370-21	RES, NETWORK 22 (1005X4)	
RB4208	1-234-887-21	RES, CHIP NETWORK 0X8 (3816)		RB5321	1-234-710-21	RES, CHIP NETWORK 47X8 (3816)	
RB4212	1-234-799-21	RES, CHIP NETWORK 10KX8 (3816)		RB5322	1-234-710-21	RES, CHIP NETWORK 47X8 (3816)	
RB4500	1-234-710-21	RES, CHIP NETWORK 47X8 (3816)		RB5324	1-234-371-21	RES, NETWORK 47 (1005X4)	
RB4501	1-234-710-21	RES, CHIP NETWORK 47X8 (3816)		RB5327	1-234-370-21	RES, NETWORK 22 (1005X4)	
RB4502	1-234-710-21	RES, CHIP NETWORK 47X8 (3816)		RB5328	1-234-370-21	RES, NETWORK 22 (1005X4)	
RB4503	1-234-710-21	RES, CHIP NETWORK 47X8 (3816)		RB5330	1-234-370-21	RES, NETWORK 22 (1005X4)	
RB4504	1-234-710-21	RES, CHIP NETWORK 47X8 (3816)		RB5331	1-234-370-21	RES, NETWORK 22 (1005X4)	
RB4801	1-234-892-21	RES, CHIP NETWORK 33X8 (3816)		RB5333	1-234-370-21	RES, NETWORK 22 (1005X4)	
RB4804	1-234-378-21	RES, NETWORK 10K (1005X4)		RB5334	1-234-370-21	RES, NETWORK 22 (1005X4)	
RB4805	1-234-372-11	RES, NETWORK 100 (1005X4)		RB5335	1-234-370-21	RES, NETWORK 22 (1005X4)	
RB4806	1-234-372-11	RES, NETWORK 100 (1005X4)		RB5336	1-234-370-21	RES, NETWORK 22 (1005X4)	
RB4807	1-234-372-11	RES, NETWORK 100 (1005X4)		RB5337	1-234-371-21	RES, NETWORK 47 (1005X4)	
RB4808	1-234-372-11	RES, NETWORK 100 (1005X4)		RB5338	1-234-371-21	RES, NETWORK 47 (1005X4)	
RB4809	1-234-372-11	RES, NETWORK 100 (1005X4)		RB5339	1-234-371-21	RES, NETWORK 47 (1005X4)	
RB4810	1-234-372-11	RES, NETWORK 100 (1005X4)		RB5340	1-234-371-21	RES, NETWORK 47 (1005X4)	
RB4811	1-234-372-11	RES, NETWORK 100 (1005X4)		RB5341	1-234-371-21	RES, NETWORK 47 (1005X4)	
RB4812	1-234-710-21	RES, CHIP NETWORK 47X8 (3816)		RB5342	1-234-371-21	RES, NETWORK 47 (1005X4)	
RB4813	1-234-887-21	RES, CHIP NETWORK 0X8 (3816)		RB5343	1-234-371-21	RES, NETWORK 47 (1005X4)	
RB4814	1-234-887-21	RES, CHIP NETWORK 0X8 (3816)		RB5344	1-234-371-21	RES, NETWORK 47 (1005X4)	
RB5000	1-234-373-21	RES, NETWORK 220 (1005X4)		RB5345	1-234-371-21	RES, NETWORK 47 (1005X4)	
RB5001	1-234-373-21	RES, NETWORK 220 (1005X4)		RB5346	1-234-371-21	RES, NETWORK 47 (1005X4)	
RB5002	1-234-785-21	RES, CHIP NETWORK 100X8 (3816)		RB5347	1-234-371-21	RES, NETWORK 47 (1005X4)	
RB5003	1-234-373-21	RES, NETWORK 220 (1005X4)		RB5348	1-234-371-21	RES, NETWORK 47 (1005X4)	
RB5004	1-234-785-21	RES, CHIP NETWORK 100X8 (3816)		RB5349	1-234-371-21	RES, NETWORK 47 (1005X4)	
RB5005	1-234-373-21	RES, NETWORK 220 (1005X4)		RB5350	1-234-371-21	RES, NETWORK 47 (1005X4)	
RB5006	1-234-373-21	RES, NETWORK 220 (1005X4)		RB5351	1-234-371-21	RES, NETWORK 47 (1005X4)	
RB5007	1-234-373-21	RES, NETWORK 220 (1005X4)		RB5352	1-234-371-21	RES, NETWORK 47 (1005X4)	
RB5008	1-234-373-21	RES, NETWORK 220 (1005X4)		RB5400	1-234-799-21	RES, CHIP NETWORK 10KX8 (3816)	
RB5009	1-234-373-21	RES, NETWORK 220 (1005X4)		RB5401	1-234-799-21	RES, CHIP NETWORK 10KX8 (3816)	
RB5108	1-234-881-21	RES, CHIP NETWORK 22KX8 (3816)		RB5402	1-234-799-21	RES, CHIP NETWORK 10KX8 (3816)	
RB5109	1-234-881-21	RES, CHIP NETWORK 22KX8 (3816)		RB5403	1-234-799-21	RES, CHIP NETWORK 10KX8 (3816)	
RB5110	1-234-881-21	RES, CHIP NETWORK 22KX8 (3816)		RB5419	1-234-785-21	RES, CHIP NETWORK 100X8 (3816)	
				RB5420	1-234-785-21	RES, CHIP NETWORK 100X8 (3816)	
				RB5421	1-234-785-21	RES, CHIP NETWORK 100X8 (3816)	
				RB5422	1-234-785-21	RES, CHIP NETWORK 100X8 (3816)	

REF. NO.	PART NO.	DESCRIPTION	REMARK	REF. NO.	PART NO.	DESCRIPTION	REMARK
RB5500	1-234-711-21	RES, CHIP NETWORK 22X8 (3816)		C7815	1-162-968-11	CERAMIC CHIP 0.0047UF	10.00% 50V
RB5501	1-234-711-21	RES, CHIP NETWORK 22X8 (3816)		C7816	1-117-681-11	ELECT CHIP 100UF	20.00% 16V
RB5800	1-234-710-21	RES, CHIP NETWORK 47X8 (3816)		C7817	1-115-339-11	CERAMIC CHIP 0.1UF	10.00% 50V
RB5801	1-234-710-21	RES, CHIP NETWORK 47X8 (3816)		C7818	1-100-597-91	CERAMIC CHIP 0.1UF	10% 25V
RB5802	1-234-710-21	RES, CHIP NETWORK 47X8 (3816)		C7819	1-107-826-11	CERAMIC CHIP 0.1UF	10.00% 16V
RB5803	1-234-710-21	RES, CHIP NETWORK 47X8 (3816)		C7820	1-107-826-11	CERAMIC CHIP 0.1UF	10.00% 16V
RB5804	1-234-710-21	RES, CHIP NETWORK 47X8 (3816)		C7821	1-115-416-11	CERAMIC CHIP 0.001UF	5.00% 25V
RB5805	1-234-710-21	RES, CHIP NETWORK 47X8 (3816)		C7822	1-165-908-11	CERAMIC CHIP 1UF	10% 10V
RB5806	1-234-710-21	RES, CHIP NETWORK 47X8 (3816)		C7823	1-107-826-11	CERAMIC CHIP 0.1UF	10.00% 16V
RB5807	1-234-710-21	RES, CHIP NETWORK 47X8 (3816)		C7900	1-162-968-11	CERAMIC CHIP 0.0047UF	10.00% 50V
RB5808	1-245-943-21	RES, CHIP NETWORK 68X8 (3816)		C7901	1-128-991-21	ELECT CHIP 10UF	20% 50V
RB5809	1-245-943-21	RES, CHIP NETWORK 68X8 (3816)		C7902	1-117-681-11	ELECT CHIP 100UF	20.00% 16V
RB5810	1-245-943-21	RES, CHIP NETWORK 68X8 (3816)		C7903	1-115-416-11	CERAMIC CHIP 0.001UF	5.00% 25V
RB5811	1-245-943-21	RES, CHIP NETWORK 68X8 (3816)		C7904	1-162-915-11	CERAMIC CHIP 10PF	0.50PF 50V
RB5812	1-245-943-21	RES, CHIP NETWORK 68X8 (3816)		C7905	1-162-915-11	CERAMIC CHIP 10PF	0.50PF 50V
RB5813	1-245-943-21	RES, CHIP NETWORK 68X8 (3816)		C7906	1-124-779-00	ELECT CHIP 10UF	20.00% 16V
RB5814	1-245-943-21	RES, CHIP NETWORK 68X8 (3816)		C7907	1-117-681-11	ELECT CHIP 100UF	20.00% 16V
RB5815	1-245-943-21	RES, CHIP NETWORK 68X8 (3816)		C7908	1-165-908-11	CERAMIC CHIP 1UF	10% 10V
RB5816	1-234-795-21	RES, NETWORK 0X4 (2010)		C7909	1-117-681-11	ELECT CHIP 100UF	20.00% 16V
RB5817	1-234-795-21	RES, NETWORK 0X4 (2010)		C7910	1-107-826-11	CERAMIC CHIP 0.1UF	10.00% 16V
RB5826	1-234-799-21	RES, CHIP NETWORK 10KX8 (3816)		C7911	1-162-915-11	CERAMIC CHIP 10PF	0.50PF 50V
RB5827	1-234-799-21	RES, CHIP NETWORK 10KX8 (3816)		C7912	1-162-915-11	CERAMIC CHIP 10PF	0.50PF 50V
		<THERMISTOR>		C7913	1-128-994-21	ELECT CHIP 47UF	20% 10V
TH001	1-804-045-11	THERMISTOR		C7914	1-107-826-11	CERAMIC CHIP 0.1UF	10.00% 16V
		<VARISTOR>		C7915	1-162-968-11	CERAMIC CHIP 0.0047UF	10.00% 50V
VD4501	1-805-774-21	VARISTOR, CHIP		C7917	1-164-227-11	CERAMIC CHIP 0.022UF	10.00% 25V
VD4502	1-805-774-21	VARISTOR, CHIP		C7919	1-107-826-11	CERAMIC CHIP 0.1UF	10.00% 16V
VD4504	1-805-774-21	VARISTOR, CHIP		C7920	1-126-205-11	ELECT CHIP 47UF	20.00% 6.3V
VD4505	1-805-774-21	VARISTOR, CHIP		C7921	1-162-966-11	CERAMIC CHIP 0.0022UF	10.00% 50V
VD4506	1-803-974-21	VARISTOR, CHIP (1608)		C7922	1-165-908-11	CERAMIC CHIP 1UF	10% 10V
VD4507	1-803-974-21	VARISTOR, CHIP (1608)		C7923	1-107-826-11	CERAMIC CHIP 0.1UF	10.00% 16V
		<CRYSTAL>		C7924	1-107-826-11	CERAMIC CHIP 0.1UF	10.00% 16V
X4800	1-813-373-11	OSCILLATOR, CRYSTAL				<CONNECTOR>	
X5100	1-813-528-11	VIBRATOR, CRYSTAL 27MHZ		CN7802	1-819-461-11	HEADER ASSEMBLY FOR PWB 4P	
X5500	1-795-219-21	VIBRATOR, CRYSTAL				<DIODE>	
X5800	1-813-375-21	QURATZ CRYSTAL UNIT		D7800	8-719-420-87	DIODE MA8130	
				D7801	8-719-423-03	DIODE MA8100	
						<FERRITE BEAD>	
*****				FB7800	1-469-637-21	FERRITE 0UH	
A-1174-430-A TUG MOUNT				FB7801	1-469-637-21	FERRITE 0UH	
*****				FB7802	1-469-637-21	FERRITE 0UH	
		<CAPACITOR>		FB7803	1-469-637-21	FERRITE 0UH	
C7800	1-162-968-11	CERAMIC CHIP 0.0047UF	10.00% 50V	FB7804	1-400-382-11	FERRITE 0UH	
C7801	1-128-991-21	ELECT CHIP 10UF	20% 50V	FB7805	1-400-382-11	FERRITE 0UH	
C7802	1-117-681-11	ELECT CHIP 100UF	20.00% 16V	FB7806	1-400-382-11	FERRITE 0UH	
C7803	1-115-416-11	CERAMIC CHIP 0.001UF	5.00% 25V	FB7807	1-400-382-11	FERRITE 0UH	
C7804	1-162-915-11	CERAMIC CHIP 10PF	0.50PF 50V	FB7900	1-469-637-21	FERRITE 0UH	
C7805	1-162-915-11	CERAMIC CHIP 10PF	0.50PF 50V	FB7901	1-469-637-21	FERRITE 0UH	
C7806	1-124-779-00	ELECT CHIP 10UF	20.00% 16V	FB7902	1-469-637-21	FERRITE 0UH	
C7807	1-117-681-11	ELECT CHIP 100UF	20.00% 16V	FB7903	1-469-637-21	FERRITE 0UH	
C7808	1-165-908-11	CERAMIC CHIP 1UF	10% 10V	FB7904	1-400-382-11	FERRITE 0UH	
C7809	1-117-681-11	ELECT CHIP 100UF	20.00% 16V	FB7905	1-400-382-11	FERRITE 0UH	
C7810	1-107-826-11	CERAMIC CHIP 0.1UF	10.00% 16V	FB7906	1-400-382-11	FERRITE 0UH	
C7811	1-162-915-11	CERAMIC CHIP 10PF	0.50PF 50V			<COIL>	
C7812	1-162-915-11	CERAMIC CHIP 10PF	0.50PF 50V	L7801	1-412-029-11	INDUCTOR 10UH	
C7813	1-100-591-91	CERAMIC CHIP 1UF	10% 25V	L7802	1-412-029-11	INDUCTOR 10UH	
C7814	1-107-826-11	CERAMIC CHIP 0.1UF	10.00% 16V	L7803	1-412-029-11	INDUCTOR 10UH	

REF. NO.	PART NO.	DESCRIPTION	REMARK	REF. NO.	PART NO.	DESCRIPTION	REMARK	
L7804	1-412-029-11	INDUCTOR	10UH			<TUNER>		
L7901	1-412-029-11	INDUCTOR	10UH					
L7902	1-412-029-11	INDUCTOR	10UH	TU7800	8-597-535-10	TUNER, FSS BTF-BG412Z		
L7903	1-412-029-11	INDUCTOR	10UH	TU7900	8-597-535-10	TUNER, FSS BTF-BG412Z		
L7904	1-412-029-11	INDUCTOR	10UH					
L7905	1-412-029-11	INDUCTOR	10UH					
		<TRANSISTOR>				A-1171-666-A H2 MOUNT		
Q7800	6-550-586-01	TRANSISTOR 2PA1576R-115						
Q7801	8-729-120-28	TRANSISTOR 2SC1623-L5L6				<CAPACITOR>		
Q7900	6-550-586-01	TRANSISTOR 2PA1576R-115						
Q7901	8-729-120-28	TRANSISTOR 2SC1623-L5L6		C3100	1-124-779-00	ELECT CHIP 10UF	20.00% 16V	
Q7902	8-729-600-22	TRANSISTOR 2SA1235-F		C3101	1-124-779-00	ELECT CHIP 10UF	20.00% 16V	
Q7903	8-729-600-22	TRANSISTOR 2SA1235-F		C3106	1-162-926-11	CERAMIC CHIP 82PF	5.00% 50V	
Q7904	8-729-600-22	TRANSISTOR 2SA1235-F		C3110	1-162-927-11	CERAMIC CHIP 100PF	5.00% 50V	
Q7905	8-729-120-28	TRANSISTOR 2SC1623-L5L6		C3112	1-162-926-11	CERAMIC CHIP 82PF	5.00% 50V	
		<RESISTOR>		C3113	1-125-891-11	CERAMIC CHIP 0.47UF	10.00% 10V	
R7800	1-216-809-11	METAL CHIP 100	5%	1/10W	C3115	1-162-926-11	CERAMIC CHIP 82PF	5.00% 50V
R7802	1-216-805-11	METAL CHIP 47	5%	1/10W	C3116	1-164-315-11	CERAMIC CHIP 470PF	5.00% 50V
R7803	1-216-805-11	METAL CHIP 47	5%	1/10W	C3117	1-164-315-11	CERAMIC CHIP 470PF	5.00% 50V
R7805	1-216-864-11	SHORT CHIP 0				<CONNECTOR>		
R7806	1-218-871-11	METAL CHIP 10K	0.5%	1/10W	CN3100	* 1-818-714-21	HEADER ASSEMBLY 20P	
R7807	1-218-879-11	METAL CHIP 22K	0.5%	1/10W	CN3101	1-695-915-11	TAB (CONTACT)	
R7808	1-216-809-11	METAL CHIP 100	5%	1/10W	CN3102	1-819-337-11	HEADER ASSEMBLY FOR PWB 10P	
R7809	1-216-817-11	METAL CHIP 470	5%	1/10W	CN3103	1-784-646-11	TERMINAL, S	
R7810	1-216-805-11	METAL CHIP 47	5%	1/10W			<DIODE>	
R7812	1-216-809-11	METAL CHIP 100	5%	1/10W	D3100	8-719-977-28	DIODE DTZ10B	
R7813	1-216-833-11	METAL CHIP 10K	5%	1/10W	D3101	8-719-977-28	DIODE DTZ10B	
R7814	1-216-833-11	METAL CHIP 10K	5%	1/10W	D3102	6-500-254-01	DIODE MM3Z7V5T1	
R7818	1-216-821-11	METAL CHIP 1K	5%	1/10W	D3103	8-719-977-28	DIODE DTZ10B	
R7819	1-216-821-11	METAL CHIP 1K	5%	1/10W			<FERRITE BEAD>	
R7820	1-216-809-11	METAL CHIP 100	5%	1/10W	FB3100	1-400-333-21	FERRITE 0UH	
R7821	1-216-809-11	METAL CHIP 100	5%	1/10W	FB3101	1-400-333-21	FERRITE 0UH	
R7901	1-216-809-11	METAL CHIP 100	5%	1/10W	FB3102	1-481-051-21	FERRITE 0UH	
R7902	1-216-805-11	METAL CHIP 47	5%	1/10W	FB3103	1-481-051-21	FERRITE 0UH	
R7905	1-216-864-11	SHORT CHIP 0			FB3104	1-481-051-21	FERRITE 0UH	
R7906	1-218-871-11	METAL CHIP 10K	0.5%	1/10W	FB3105	1-216-864-11	SHORT CHIP 0	
R7907	1-218-879-11	METAL CHIP 22K	0.5%	1/10W	FB3106	1-400-461-21	FERRITE 0UH	
R7908	1-216-809-11	METAL CHIP 100	5%	1/10W	FB3107	1-216-864-11	SHORT CHIP 0	
R7909	1-216-817-11	METAL CHIP 470	5%	1/10W	FB3108	1-216-864-11	SHORT CHIP 0	
R7913	1-216-833-11	METAL CHIP 10K	5%	1/10W			<JACK>	
R7914	1-216-833-11	METAL CHIP 10K	5%	1/10W	J3100	1-819-355-11	PHONO JACK 3P	
R7917	1-216-809-11	METAL CHIP 100	5%	1/10W	J3101	1-819-356-11	PHONO JACK 3P	
R7918	1-216-821-11	METAL CHIP 1K	5%	1/10W	J3102	1-815-325-11	JACK	
R7919	1-216-821-11	METAL CHIP 1K	5%	1/10W			<COIL>	
R7920	1-216-809-11	METAL CHIP 100	5%	1/10W	L3101	1-400-669-21	INDUCTOR 0UH	
R7921	1-216-809-11	METAL CHIP 100	5%	1/10W	L3102	1-400-669-21	INDUCTOR 0UH	
R7922	1-216-825-11	METAL CHIP 2.2K	5%	1/10W	L3103	1-400-669-21	INDUCTOR 0UH	
R7923	1-216-864-11	SHORT CHIP 0					<RESISTOR>	
R7924	1-216-825-11	METAL CHIP 2.2K	5%	1/10W	R3102	1-216-864-11	SHORT CHIP 0	
R7925	1-216-829-11	METAL CHIP 4.7K	5%	1/10W	R3103	1-216-813-11	METAL CHIP 220	5% 1/10W
R7929	1-216-857-11	METAL CHIP 1M	5%	1/10W	R3105	1-216-813-11	METAL CHIP 220	5% 1/10W
R7930	1-216-833-11	METAL CHIP 10K	5%	1/10W	R3106	1-216-851-11	METAL CHIP 330K	5% 1/10W
R7931	1-216-864-11	SHORT CHIP 0			R3107	1-216-851-11	METAL CHIP 330K	5% 1/10W
R7933	1-216-825-11	METAL CHIP 2.2K	5%	1/10W				
R7934	1-216-837-11	METAL CHIP 22K	5%	1/10W				
R7935	1-216-837-11	METAL CHIP 22K	5%	1/10W				
R7936	1-216-821-11	METAL CHIP 1K	5%	1/10W				
R7937	1-216-864-11	SHORT CHIP 0						
R7940	1-218-850-11	METAL CHIP 1.3K	0.5%	1/10W				

The components identified \triangle marked are critical for safety.
 Replace only with the part number specified.

H2 **D1**

REF. NO.	PART NO.	DESCRIPTION	REMARK	REF. NO.	PART NO.	DESCRIPTION	REMARK
R3108	1-216-813-11	METAL CHIP	220 5% 1/10W	C6710	1-112-725-11	CERAMIC	68PF 5% 3KV
R3109	1-216-813-11	METAL CHIP	220 5% 1/10W	C6711	1-112-725-11	CERAMIC	68PF 5% 3KV
R3110	1-216-813-11	METAL CHIP	220 5% 1/10W	C6712	1-164-227-11	CERAMIC CHIP	0.022UF 10.00% 25V
R3111	1-216-813-11	METAL CHIP	220 5% 1/10W	C6714	1-107-826-11	CERAMIC CHIP	0.1UF 10.00% 16V
R3113	1-216-813-11	METAL CHIP	220 5% 1/10W	C6715	1-112-740-91	CERAMIC	10PF 5% 3KV
R3114	1-216-813-11	METAL CHIP	220 5% 1/10W	C6716	1-112-740-91	CERAMIC	10PF 5% 3KV
R3115	1-216-813-11	METAL CHIP	220 5% 1/10W	C6717	1-162-966-11	CERAMIC CHIP	0.0022UF 10.00% 50V
R3118	1-216-813-11	METAL CHIP	220 5% 1/10W	C6718	1-107-826-11	CERAMIC CHIP	0.1UF 10.00% 16V
R3119	1-216-813-11	METAL CHIP	220 5% 1/10W	C6719	1-112-740-91	CERAMIC	10PF 5% 3KV
R3120	1-216-813-11	METAL CHIP	220 5% 1/10W	C6720	1-112-740-91	CERAMIC	10PF 5% 3KV
R3122	1-216-801-11	METAL CHIP	22 5% 1/10W	C6721	1-162-966-11	CERAMIC CHIP	0.0022UF 10.00% 50V
R3123	1-216-809-11	METAL CHIP	100 5% 1/10W	C6722	1-162-960-11	CERAMIC CHIP	220PF 10.00% 50V
R3124	1-216-864-11	SHORT CHIP	0	C6723	1-107-826-11	CERAMIC CHIP	0.1UF 10.00% 16V
R3125	1-216-864-11	SHORT CHIP	0	C6731	1-107-888-11	ELECT	47UF 20% 25V
R3126	1-216-864-11	SHORT CHIP	0	C6732	1-162-970-11	CERAMIC CHIP	0.01UF 10.00% 25V
R3127	1-216-809-11	METAL CHIP	100 5% 1/10W	C6733	1-162-970-11	CERAMIC CHIP	0.01UF 10.00% 25V
R3128	1-216-813-11	METAL CHIP	220 5% 1/10W	C6734	1-162-970-11	CERAMIC CHIP	0.01UF 10.00% 25V
R3129	1-216-813-11	METAL CHIP	220 5% 1/10W	C6735	1-164-227-11	CERAMIC CHIP	0.022UF 10.00% 25V
R3130	1-216-813-11	METAL CHIP	220 5% 1/10W	C6736	1-162-970-11	CERAMIC CHIP	0.01UF 10.00% 25V
R3132	1-216-801-11	METAL CHIP	22 5% 1/10W	C6737	1-162-970-11	CERAMIC CHIP	0.01UF 10.00% 25V
R3133	1-218-665-11	METAL CHIP	75 0.5% 1/10W	C6738	1-162-970-11	CERAMIC CHIP	0.01UF 10.00% 25V
R3135	1-216-801-11	METAL CHIP	22 5% 1/10W	C6739	1-162-970-11	CERAMIC CHIP	0.01UF 10.00% 25V
R3136	1-216-864-11	SHORT CHIP	0	C6740	1-162-970-11	CERAMIC CHIP	0.01UF 10.00% 25V
R3138	1-216-864-11	SHORT CHIP	0	C6742	1-107-826-11	CERAMIC CHIP	0.1UF 10.00% 16V
R3140	1-216-864-11	SHORT CHIP	0	C6750	1-107-826-11	CERAMIC CHIP	0.1UF 10.00% 16V
R3142	1-216-864-11	SHORT CHIP	0	C6751	1-162-970-11	CERAMIC CHIP	0.01UF 10.00% 25V
R3143	1-216-864-11	SHORT CHIP	0	C6752	1-112-029-91	CERAMIC CHIP	0.047UF 5% 50V
		<VARISTOR>		C6753	1-127-803-91	CERAMIC CHIP	270PF 1% 50V
VD3100	1-803-974-21	VARISTOR, CHIP (1608)		C6754	1-162-966-11	CERAMIC CHIP	0.0022UF 10.00% 50V
VD3101	1-803-974-21	VARISTOR, CHIP (1608)		C6755	1-162-966-11	CERAMIC CHIP	0.0022UF 10.00% 50V
VD3102	1-803-974-21	VARISTOR, CHIP (1608)		C6756	1-162-970-11	CERAMIC CHIP	0.01UF 10.00% 25V
VD3103	1-803-974-21	VARISTOR, CHIP (1608)		C6757	1-162-970-11	CERAMIC CHIP	0.01UF 10.00% 25V
VD3104	1-803-974-21	VARISTOR, CHIP (1608)		C6758	1-162-970-11	CERAMIC CHIP	0.01UF 10.00% 25V
VD3105	1-803-974-21	VARISTOR, CHIP (1608)		C6759	1-107-888-11	ELECT	47UF 20% 25V
VD3106	1-803-974-21	VARISTOR, CHIP (1608)		C6760	1-137-980-91	CERAMIC CHIP	0.47UF 10% 50V
VD3107	1-803-974-21	VARISTOR, CHIP (1608)		C6761	1-104-329-11	CERAMIC CHIP	0.1UF 10.00% 50V
VD3108	1-803-974-21	VARISTOR, CHIP (1608)		C6762	1-137-980-91	CERAMIC CHIP	0.47UF 10% 50V
VD3109	1-803-974-21	VARISTOR, CHIP (1608)		C6763	1-162-970-11	CERAMIC CHIP	0.01UF 10.00% 25V
VD3110	1-803-974-21	VARISTOR, CHIP (1608)		C6764	1-162-970-11	CERAMIC CHIP	0.01UF 10.00% 25V
				C6765	1-162-970-11	CERAMIC CHIP	0.01UF 10.00% 25V
				C6766	1-162-970-11	CERAMIC CHIP	0.01UF 10.00% 25V
				C6768	1-107-875-91	ELECT	220UF 20% 10V
				C6769	1-115-339-11	CERAMIC CHIP	0.1UF 10.00% 50V
				C6770	1-107-902-11	ELECT	1UF 20% 50V
				C6771	1-107-902-11	ELECT	1UF 20% 50V
				C6772	1-107-888-11	ELECT	47UF 20% 25V
				C6773	1-100-566-91	CERAMIC CHIP	0.1UF 10.00% 25V
				C6774	1-100-566-91	CERAMIC CHIP	0.1UF 10.00% 25V
				C6779	1-163-809-11	CERAMIC CHIP	0.047UF 10.00% 25V
						<CONNECTOR>	
C6534	1-162-960-11	CERAMIC CHIP	220PF 10.00% 50V	CN6600 \triangle	* 1-793-660-11	PIN, CONNECTOR (PC BOARD)	3P
C6600	1-165-794-21	MYLAR	1UF 10% 450V	CN6700	* 1-820-458-11	HEADER ASSEMBLY FOR PWB	2P
C6601	1-165-794-21	MYLAR	1UF 10% 450V	CN6701	* 1-820-458-11	HEADER ASSEMBLY FOR PWB	2P
C6606	1-165-794-21	MYLAR	1UF 10% 450V	CN6751	* 1-785-703-11	PIN, CONNECTOR (PC BOARD)	6P
C6658	1-115-339-11	CERAMIC CHIP	0.1UF 10.00% 50V	CN6752	* 1-785-702-11	PIN, CONNECTOR (PC BOARD)	5P
C6659	1-115-339-11	CERAMIC CHIP	0.1UF 10.00% 50V			<DIODE>	
C6701	1-104-512-11	CERAMIC	22PF 5% 6.3KV	D6600	6-501-497-01	DIODE S3L60F	
C6702	1-104-512-11	CERAMIC	22PF 5% 6.3KV	D6601	6-501-497-01	DIODE S3L60F	
C6703	1-114-173-11	CERAMIC	12PF 5% 6.3KV	D6602	6-501-497-01	DIODE S3L60F	
C6704	1-114-173-11	CERAMIC	12PF 5% 6.3KV	D6603	6-501-497-01	DIODE S3L60F	
C6705	1-112-725-11	CERAMIC	68PF 5% 3KV	D6604	6-501-497-01	DIODE S3L60F	
C6706	1-112-725-11	CERAMIC	68PF 5% 3KV				
C6707	1-164-227-11	CERAMIC CHIP	0.022UF 10.00% 25V				
C6709	1-107-826-11	CERAMIC CHIP	0.1UF 10.00% 16V				

The components identified Δ marked are critical for safety.
Replace only with the part number specified.

D1

REF. NO.	PART NO.	DESCRIPTION	REMARK	REF. NO.	PART NO.	DESCRIPTION	REMARK
D6605	6-501-497-01	DIODE S3L60F		JR6667	1-216-296-11	SHORT CHIP	0
D6606	8-719-041-97	DIODE MA113-(TX)		JR6670	1-216-296-11	SHORT CHIP	0
D6607	8-719-041-97	DIODE MA113-(TX)		JR6671	1-216-296-11	SHORT CHIP	0
D6608	8-719-041-97	DIODE MA113-(TX)					
D6609	8-719-041-97	DIODE MA113-(TX)				<COIL>	
D6614	6-501-497-01	DIODE S3L60F		L6600	Δ 1-406-977-21	INDUCTOR	100UH
D6615	6-501-497-01	DIODE S3L60F				<TRANSISTOR>	
D6616	8-719-083-57	DIODE UDZSTE-173.6B		Q6600	6-551-403-01	TRANSISTOR 2SK3797 (LBS1SONY)	
D6617	8-719-083-57	DIODE UDZSTE-173.6B		Q6601	6-551-403-01	TRANSISTOR 2SK3797 (LBS1SONY)	
D6618	8-719-083-57	DIODE UDZSTE-173.6B		Q6602	6-551-403-01	TRANSISTOR 2SK3797 (LBS1SONY)	
D6619	8-719-083-57	DIODE UDZSTE-173.6B		Q6603	6-551-403-01	TRANSISTOR 2SK3797 (LBS1SONY)	
D6701	8-719-404-50	DIODE MA111-TX		Q6604	8-729-804-41	TRANSISTOR 2SB1122-S	
D6702	8-719-404-50	DIODE MA111-TX		Q6605	8-729-804-41	TRANSISTOR 2SB1122-S	
D6703	8-719-404-50	DIODE MA111-TX		Q6606	8-729-804-41	TRANSISTOR 2SB1122-S	
D6704	8-719-404-50	DIODE MA111-TX		Q6607	8-729-804-41	TRANSISTOR 2SB1122-S	
D6705	8-719-404-50	DIODE MA111-TX		Q6751	8-729-026-49	TRANSISTOR 2SA1037AK-T146-R	
D6706	8-719-404-50	DIODE MA111-TX		Q6752	8-729-026-49	TRANSISTOR 2SA1037AK-T146-R	
D6707	8-719-404-50	DIODE MA111-TX		Q6753	8-729-120-28	TRANSISTOR 2SC1623-L5L6	
D6708	8-719-404-50	DIODE MA111-TX		Q6754	8-729-120-28	TRANSISTOR 2SC1623-L5L6	
D6709	8-719-062-51	DIODE 1PS226-115		Q6755	8-729-026-49	TRANSISTOR 2SA1037AK-T146-R	
D6710	8-719-404-50	DIODE MA111-TX		Q6756	8-729-120-28	TRANSISTOR 2SC1623-L5L6	
D6711	8-719-062-51	DIODE 1PS226-115		Q6757	8-729-120-28	TRANSISTOR 2SC1623-L5L6	
D6712	8-719-404-50	DIODE MA111-TX		Q6758	8-729-019-94	TRANSISTOR 2SK1589-L	
D6713	8-719-062-51	DIODE 1PS226-115		Q6759	8-729-820-90	TRANSISTOR 2SD1621-ST	
D6714	8-719-404-50	DIODE MA111-TX		Q6760	8-729-804-41	TRANSISTOR 2SB1122-S	
D6715	8-719-062-51	DIODE 1PS226-115		Q6761	8-729-019-94	TRANSISTOR 2SK1589-L	
D6716	8-719-404-50	DIODE MA111-TX		Q6762	8-729-820-90	TRANSISTOR 2SD1621-ST	
D6731	8-719-404-50	DIODE MA111-TX		Q6763	8-729-804-41	TRANSISTOR 2SB1122-S	
D6732	8-719-404-50	DIODE MA111-TX				<RESISTOR>	
D6733	8-719-404-50	DIODE MA111-TX		R6600	1-202-933-61	FUSIBLE	0.1 10% 1/2W
D6734	8-719-404-50	DIODE MA111-TX		R6601	1-249-403-11	CARBON	68 5% 1/4W
D6752	8-719-404-50	DIODE MA111-TX		R6602	1-216-793-11	METAL CHIP	4.7 5% 1/10W
D6753	8-719-404-50	DIODE MA111-TX		R6603	1-216-049-11	RES-CHIP	1K 5% 1/10W
D6754	8-719-404-50	DIODE MA111-TX		R6604	1-216-833-11	METAL CHIP	10K 5% 1/10W
		<FERRITE BEAD>		R6605	1-249-403-11	CARBON	68 5% 1/4W
FB6600	1-410-396-41	FERRITE	0.45UH	R6606	1-216-793-11	METAL CHIP	4.7 5% 1/10W
FB6601	1-410-396-41	FERRITE	0.45UH	R6607	1-216-049-11	RES-CHIP	1K 5% 1/10W
FB6604	1-410-396-41	FERRITE	0.45UH	R6608	1-216-833-11	METAL CHIP	10K 5% 1/10W
FB6605	1-410-396-41	FERRITE	0.45UH	R6609	1-249-403-11	CARBON	68 5% 1/4W
		<IC>		R6610	1-216-793-11	METAL CHIP	4.7 5% 1/10W
IC6730	* 8-759-575-27	IC BA10339F-E2		R6611	1-216-049-11	RES-CHIP	1K 5% 1/10W
IC6750	6-709-792-01	IC BD9890F-E2		R6612	1-216-833-11	METAL CHIP	10K 5% 1/10W
		<JUMPER READ>		R6613	1-216-049-11	RES-CHIP	1K 5% 1/10W
JR6600	1-216-296-11	SHORT CHIP	0	R6614	1-249-403-11	CARBON	68 5% 1/4W
JR6601	1-216-296-11	SHORT CHIP	0	R6615	1-216-793-11	METAL CHIP	4.7 5% 1/10W
JR6613	1-216-864-11	SHORT CHIP	0	R6616	1-216-833-11	METAL CHIP	10K 5% 1/10W
JR6616	1-216-864-11	SHORT CHIP	0	R6619	1-216-857-11	METAL CHIP	1M 5% 1/10W
JR6622	1-216-296-11	SHORT CHIP	0	R6620	1-216-857-11	METAL CHIP	1M 5% 1/10W
JR6623	1-216-296-11	SHORT CHIP	0	R6651	1-218-827-11	METAL CHIP	150 0.5% 1/10W
JR6624	1-216-296-11	SHORT CHIP	0	R6652	1-218-827-11	METAL CHIP	150 0.5% 1/10W
JR6628	1-216-296-11	SHORT CHIP	0	R6653	1-218-827-11	METAL CHIP	150 0.5% 1/10W
JR6634	1-216-296-11	SHORT CHIP	0	R6654	1-218-827-11	METAL CHIP	150 0.5% 1/10W
JR6642	1-216-295-91	SHORT CHIP	0	R6655	1-218-827-11	METAL CHIP	150 0.5% 1/10W
JR6644	1-216-296-11	SHORT CHIP	0	R6656	1-218-827-11	METAL CHIP	150 0.5% 1/10W
JR6648	1-216-296-11	SHORT CHIP	0	R6657	1-218-827-11	METAL CHIP	150 0.5% 1/10W
JR6653	1-216-864-11	SHORT CHIP	0	R6658	1-218-829-11	METAL CHIP	180 0.5% 1/10W
JR6654	1-216-296-11	SHORT CHIP	0	R6659	1-218-829-11	METAL CHIP	180 0.5% 1/10W
JR6659	1-216-296-11	SHORT CHIP	0	R6660	1-218-829-11	METAL CHIP	180 0.5% 1/10W
JR6666	1-216-296-11	SHORT CHIP	0	R6661	1-218-829-11	METAL CHIP	180 0.5% 1/10W

The components identified \triangle marked are critical for safety.
Replace only with the part number specified.

D1 **H1**

REF. NO.	PART NO.	DESCRIPTION	REMARK	REF. NO.	PART NO.	DESCRIPTION	REMARK
R6662	1-218-829-11	METAL CHIP	180 0.5% 1/10W	R6782	1-216-845-11	METAL CHIP	100K 5% 1/10W
R6663	1-218-829-11	METAL CHIP	180 0.5% 1/10W	R6783	1-216-809-11	METAL CHIP	100 5% 1/10W
R6664	1-218-829-11	METAL CHIP	180 0.5% 1/10W	R6784	1-216-845-11	METAL CHIP	100K 5% 1/10W
R6665	1-218-829-11	METAL CHIP	180 0.5% 1/10W	R6785	1-216-845-11	METAL CHIP	100K 5% 1/10W
R6666	1-218-829-11	METAL CHIP	180 0.5% 1/10W	R6786	1-216-809-11	METAL CHIP	100 5% 1/10W
R6667	1-218-829-11	METAL CHIP	180 0.5% 1/10W	R6788	1-216-793-11	METAL CHIP	4.7 5% 1/10W
R6668	1-218-829-11	METAL CHIP	180 0.5% 1/10W	R6789	1-249-417-11	CARBON	1K 5% 1/4W
R6669	1-218-829-11	METAL CHIP	180 0.5% 1/10W	R6790	1-216-809-11	METAL CHIP	100 5% 1/10W
R6670	1-218-829-11	METAL CHIP	180 0.5% 1/10W	R6791	1-216-801-11	METAL CHIP	22 5% 1/10W
R6701	1-216-821-11	METAL CHIP	1K 5% 1/10W	R6792	1-249-417-11	CARBON	1K 5% 1/4W
R6702	1-216-843-11	METAL CHIP	68K 5% 1/10W	R6793	1-216-809-11	METAL CHIP	100 5% 1/10W
R6703	1-216-845-11	METAL CHIP	100K 5% 1/10W	R6794	1-216-801-11	METAL CHIP	22 5% 1/10W
R6704	1-216-821-11	METAL CHIP	1K 5% 1/10W	R6795	1-216-833-11	METAL CHIP	10K 5% 1/10W
R6705	1-216-843-11	METAL CHIP	68K 5% 1/10W	R6796	1-216-833-11	METAL CHIP	10K 5% 1/10W
R6706	1-216-845-11	METAL CHIP	100K 5% 1/10W	R6797	1-218-913-91	METAL CHIP	560K 0.5% 1/10W
R6707	1-216-821-11	METAL CHIP	1K 5% 1/10W	R6798	1-216-842-11	METAL CHIP	56K 5% 1/10W
R6708	1-216-843-11	METAL CHIP	68K 5% 1/10W			<TRANSFORMER>	
R6709	1-216-845-11	METAL CHIP	100K 5% 1/10W	T6600	\triangle 8-597-051-00	HV ISOLATING TRANS HIT-1001//M	
R6710	1-216-821-11	METAL CHIP	1K 5% 1/10W	T6601	\triangle 8-597-051-00	HV ISOLATING TRANS HIT-1001//M	
R6711	1-216-843-11	METAL CHIP	68K 5% 1/10W	T6650	\triangle 1-445-039-11	TRANSFORMER, DRIVE	
R6712	1-216-845-11	METAL CHIP	100K 5% 1/10W			<TERMINAL>	
R6714	1-216-793-11	METAL CHIP	4.7 5% 1/10W	TK6700	1-537-770-21	TERMINAL BOARD, GROUND	
R6731	1-216-857-11	METAL CHIP	1M 5% 1/10W	TK6701	1-537-770-21	TERMINAL BOARD, GROUND	
R6732	1-216-857-11	METAL CHIP	1M 5% 1/10W			*****	
R6733	1-216-837-11	METAL CHIP	22K 5% 1/10W			A-1171-665-A H1 MOUNT	
R6734	1-216-837-11	METAL CHIP	22K 5% 1/10W			*****	
R6735	1-216-837-11	METAL CHIP	22K 5% 1/10W			<CAPACITOR>	
R6736	1-216-837-11	METAL CHIP	22K 5% 1/10W	C3000	1-162-970-11	CERAMIC CHIP	0.01UF 10.00% 25V
R6737	1-216-857-11	METAL CHIP	1M 5% 1/10W	C3001	1-162-970-11	CERAMIC CHIP	0.01UF 10.00% 25V
R6738	1-216-857-11	METAL CHIP	1M 5% 1/10W			<CONNECTOR>	
R6739	1-218-905-11	METAL CHIP	270K 0.5% 1/10W	CN3000	1-819-472-11	HEADER ASSEMBLY FOR PWB 2P	
R6740	1-249-417-11	CARBON	1K 5% 1/4W	CN3001	1-819-476-11	HEADER ASSEMBLY FOR PWB 8P	
R6741	1-249-417-11	CARBON	1K 5% 1/4W			<DIODE>	
R6743	1-216-842-11	METAL CHIP	56K 5% 1/10W	D3001	8-719-914-44	DIODE DAP202K	
R6749	1-216-821-11	METAL CHIP	1K 5% 1/10W			<RESISTOR>	
R6750	1-216-833-11	METAL CHIP	10K 5% 1/10W	R3000	1-218-670-11	METAL CHIP	120 0.5% 1/10W
R6751	1-216-833-11	METAL CHIP	10K 5% 1/10W	R3001	1-218-672-11	METAL CHIP	150 0.5% 1/10W
R6752	1-216-821-11	METAL CHIP	1K 5% 1/10W	R3002	1-218-678-11	METAL CHIP	270 0.5% 1/10W
R6753	1-216-837-11	METAL CHIP	22K 5% 1/10W	R3003	1-218-686-11	METAL CHIP	560 0.5% 1/10W
R6754	1-218-867-11	METAL CHIP	6.8K 0.5% 1/10W	R3004	1-218-696-11	METAL CHIP	1.5K 0.5% 1/10W
R6755	1-218-915-11	METAL CHIP	680K 0.5% 1/10W			<SWITCH>	
R6756	1-218-899-11	METAL CHIP	150K 0.5% 1/16W	S3000	1-572-595-11	SWITCH, TACTIL (REFLOW TYPE)	
R6757	1-218-871-11	METAL CHIP	10K 0.5% 1/10W	S3001	1-572-595-11	SWITCH, TACTIL (REFLOW TYPE)	
R6758	1-218-895-11	METAL CHIP	100K 0.5% 1/10W	S3002	1-572-595-11	SWITCH, TACTIL (REFLOW TYPE)	
R6759	1-218-895-11	METAL CHIP	100K 0.5% 1/10W	S3003	1-572-595-11	SWITCH, TACTIL (REFLOW TYPE)	
R6760	1-218-899-11	METAL CHIP	150K 0.5% 1/16W	S3004	1-572-595-11	SWITCH, TACTIL (REFLOW TYPE)	
R6761	1-218-893-11	METAL CHIP	82K 0.5% 1/10W	S3005	1-572-595-11	SWITCH, TACTIL (REFLOW TYPE)	
R6762	1-218-883-11	METAL CHIP	33K 0.5% 1/10W	S3006	1-572-595-11	SWITCH, TACTIL (REFLOW TYPE)	
R6763	1-218-907-11	METAL CHIP	330K 0.5% 1/10W				
R6766	1-216-845-11	METAL CHIP	100K 5% 1/10W				
R6767	1-216-853-11	METAL CHIP	470K 5% 1/10W				
R6768	1-216-839-11	METAL CHIP	33K 5% 1/10W				
R6769	1-216-837-11	METAL CHIP	22K 5% 1/10W				
R6770	1-216-833-11	METAL CHIP	10K 5% 1/10W				
R6771	1-216-833-11	METAL CHIP	10K 5% 1/10W				
R6772	1-216-842-11	METAL CHIP	56K 5% 1/10W				
R6773	1-216-833-11	METAL CHIP	10K 5% 1/10W				
R6774	1-216-833-11	METAL CHIP	10K 5% 1/10W				
R6775	1-216-833-11	METAL CHIP	10K 5% 1/10W				
R6776	1-216-837-11	METAL CHIP	22K 5% 1/10W				
R6777	1-216-833-11	METAL CHIP	10K 5% 1/10W				
R6778	1-216-833-11	METAL CHIP	10K 5% 1/10W				
R6779	1-216-833-11	METAL CHIP	10K 5% 1/10W				
R6780	1-216-817-11	METAL CHIP	470 5% 1/10W				
R6781	1-216-845-11	METAL CHIP	100K 5% 1/10W				

The components identified Δ marked are critical for safety.
Replace only with the part number specified.

G1

REF. NO.	PART NO.	DESCRIPTION	REMARK	REF. NO.	PART NO.	DESCRIPTION	REMARK
D6406	8-719-404-50	DIODE MA111-TX				<PHOTO COUPLER>	
D6407	8-719-423-23	DIODE MA8110-M					
D6408	8-719-404-50	DIODE MA111-TX		PH6000	Δ 6-600-187-01	PHOTO COUPLER PC123Y22JOOF	
D6409	8-719-404-50	DIODE MA111-TX		PH6100	Δ 6-600-187-01	PHOTO COUPLER PC123Y22JOOF	
D6452	8-719-404-50	DIODE MA111-TX		PH6301	Δ 6-600-187-01	PHOTO COUPLER PC123Y22JOOF	
D6455	8-719-404-50	DIODE MA111-TX		PH6400	Δ 6-600-187-01	PHOTO COUPLER PC123Y22JOOF	
D6456	8-719-404-50	DIODE MA111-TX		PH6402	Δ 6-600-187-01	PHOTO COUPLER PC123Y22JOOF	
D6506	8-719-054-59	DIODE FSF05A60				<TRANSISTOR>	
D6509	6-500-108-01	DIODE EP05FA20		Q6100	6-551-386-01	TRANSISTOR 2SK3563 (LBS1SONY)	
D6510	6-500-137-01	DIODE BAT54HT1		Q6101	6-551-386-01	TRANSISTOR 2SK3563 (LBS1SONY)	
D6512	8-719-404-50	DIODE MA111-TX		Q6400	8-729-804-41	TRANSISTOR 2SB1122-S	
D6514	8-719-404-50	DIODE MA111-TX		Q6401	8-729-120-28	TRANSISTOR 2SC1623-L5L6	
D6551	8-719-404-50	DIODE MA111-TX		Q6402	8-729-120-28	TRANSISTOR 2SC1623-L5L6	
D6552	8-719-404-50	DIODE MA111-TX		Q6403	8-729-026-49	TRANSISTOR 2SA1037AK-T146-R	
		<FUSE>		Q6404	8-729-120-28	TRANSISTOR 2SC1623-L5L6	
F6000	Δ 1-576-233-51	FUSE	6.3A 250V	Q6405	8-729-120-28	TRANSISTOR 2SC1623-L5L6	
		<FERRITE BEAD>		Q6406	8-729-026-49	TRANSISTOR 2SA1037AK-T146-R	
FB6100	1-410-397-21	FERRITE	1.1UH	Q6407	8-729-120-28	TRANSISTOR 2SC1623-L5L6	
FB6101	1-410-397-21	FERRITE	1.1UH	Q6454	8-729-026-49	TRANSISTOR 2SA1037AK-T146-R	
		<FUSE HOLDER>		Q6455	8-729-120-28	TRANSISTOR 2SC1623-L5L6	
FH6000	1-533-223-11	FUSE HOLDER	0A 0V	Q6500	6-551-336-01	TRANSISTOR 2SK3934 (LBS1SONY)	
FH6001	1-533-223-11	FUSE HOLDER	0A 0V	Q6502	8-729-804-41	TRANSISTOR 2SB1122-S	
		<IC>		Q6503	6-551-336-01	TRANSISTOR 2SK3934 (LBS1SONY)	
IC6100	6-707-749-01	IC CXD9841P		Q6505	8-729-120-28	TRANSISTOR 2SC1623-L5L6	
IC6200	6-709-368-01	IC MM1431ATT (CN)		Q6506	8-729-026-49	TRANSISTOR 2SA1037AK-T146-R	
IC6301	6-708-801-01	IC MIP2H2		Q6507	8-729-026-49	TRANSISTOR 2SA1037AK-T146-R	
IC6302	6-709-368-01	IC MM1431ATT (CN)				<RESISTOR>	
IC6401	6-709-368-01	IC MM1431ATT (CN)		R6002	1-240-251-11	METAL 6.8 5% 10W	
IC6402	6-709-368-01	IC MM1431ATT (CN)		R6003	1-247-762-11	CARBON 6.8K 5% 1/2W	
IC6502	6-709-791-01	IC E-L6562N		R6015	1-216-857-11	METAL CHIP 1M 5% 1/10W	
		<JUMPER READ>		R6016	1-243-832-71	METAL OXIDE 15 5% 1W	
JR6001	1-216-296-11	SHORT CHIP	0	R6053	1-216-296-11	SHORT CHIP 0	
JR6002	1-216-296-11	SHORT CHIP	0	R6101	1-249-385-11	CARBON 2.2 5% 1/4W	
JR6003	1-216-296-11	SHORT CHIP	0	R6102	1-202-933-61	FUSIBLE 0.1 10% 1/2W	
JR6004	1-216-296-11	SHORT CHIP	0	R6103	1-218-823-11	METAL CHIP 100 0.5% 1/10W	
JR6005	1-216-864-11	SHORT CHIP	0	R6104	1-218-885-11	METAL CHIP 39K 0.5% 1/10W	
JR6007	1-216-296-11	SHORT CHIP	0	R6105	1-208-854-11	METAL CHIP 1M 0.5% 1/10W	
JR6008	1-216-295-91	SHORT CHIP	0	R6106	1-208-854-11	METAL CHIP 1M 0.5% 1/10W	
JR6009	1-216-295-91	SHORT CHIP	0	R6107	1-208-854-11	METAL CHIP 1M 0.5% 1/10W	
JR6010	1-216-295-91	SHORT CHIP	0	R6108	1-208-854-11	METAL CHIP 1M 0.5% 1/10W	
JR6011	1-216-864-11	SHORT CHIP	0	R6109	1-218-760-11	METAL CHIP 220K 0.5% 1/10W	
		<COIL>		R6110	1-218-877-11	METAL CHIP 18K 0.5% 1/10W	
L6000	Δ 1-456-856-11	LINE FILTER COIL		R6111	1-218-877-11	METAL CHIP 18K 0.5% 1/10W	
L6001	Δ 1-457-317-11	LINE FILTER COIL		R6114	1-211-981-11	METAL CHIP 33 0.5% 1/10W	
L6250	1-412-525-31	INDUCTOR	10UH	R6115	1-218-863-11	METAL CHIP 4.7K 0.5% 1/10W	
L6251	1-406-657-11	INDUCTOR	4.7UH	R6116	1-216-009-91	RES-CHIP 22 5% 1/10W	
L6252	1-406-657-11	INDUCTOR	4.7UH	R6117	1-216-009-91	RES-CHIP 22 5% 1/10W	
L6300	1-414-934-21	INDUCTOR	10UH	R6118	1-216-833-11	METAL CHIP 10K 5% 1/10W	
L6500	Δ 1-457-277-11	INDUCTOR	260UH	R6119	1-216-833-11	METAL CHIP 10K 5% 1/10W	
L6502	Δ 1-457-275-11	INDUCTOR	300UH	R6122	1-216-361-00	METAL OXIDE 0.22 5% 2W	
				R6123	1-218-847-11	METAL CHIP 1K 0.5% 1/10W	
				R6127	1-216-857-11	METAL CHIP 1M 5% 1/10W	
				R6200	1-216-821-11	METAL CHIP 1K 5% 1/10W	
				R6201	1-216-821-11	METAL CHIP 1K 5% 1/10W	
				R6203	1-216-821-11	METAL CHIP 1K 5% 1/10W	
				R6204	1-216-864-11	SHORT CHIP 0	
				R6205	1-218-875-11	METAL CHIP 15K 0.5% 1/10W	
				R6207	1-218-863-11	METAL CHIP 4.7K 0.5% 1/10W	
				R6256	1-216-793-11	METAL CHIP 4.7 5% 1/10W	
				R6264	1-216-841-11	METAL CHIP 47K 5% 1/10W	
				R6300	1-212-958-00	FUSIBLE 10 5% 1/2W	
				R6301	1-243-725-71	METAL OXIDE 100K 5% 1W	

The components identified \triangle marked are critical for safety.
Replace only with the part number specified.

G1 **D2** **D3**

REF. NO.	PART NO.	DESCRIPTION	REMARK	REF. NO.	PART NO.	DESCRIPTION	REMARK
R6302	1-218-865-11	METAL CHIP	5.6K 0.5% 1/10W	R6522	1-218-905-11	METAL CHIP	270K 0.5% 1/10W
R6303	1-249-385-11	CARBON	2.2 5% 1/4W	R6523	1-218-905-11	METAL CHIP	270K 0.5% 1/10W
R6304	1-216-821-11	METAL CHIP	1K 5% 1/10W	R6524	1-218-861-11	METAL CHIP	3.9K 0.5% 1/10W
R6305	1-216-825-11	METAL CHIP	2.2K 5% 1/10W	R6528	1-218-877-11	METAL CHIP	18K 0.5% 1/10W
R6306	1-216-805-11	METAL CHIP	47 5% 1/10W	R6529	1-217-156-00	METAL	0.22 10% 5W
R6308	1-218-871-11	METAL CHIP	10K 0.5% 1/10W	R6530	1-217-156-00	METAL	0.22 10% 5W
R6309	1-218-871-11	METAL CHIP	10K 0.5% 1/10W	R6532	1-218-887-11	METAL CHIP	47K 0.5% 1/10W
R6371	1-216-841-11	METAL CHIP	47K 5% 1/10W	R6533	1-216-833-11	METAL CHIP	10K 5% 1/10W
R6400	1-216-833-11	METAL CHIP	10K 5% 1/10W	R6534	1-216-817-11	METAL CHIP	470 5% 1/10W
R6401	1-218-863-11	METAL CHIP	4.7K 0.5% 1/10W	R6535	1-216-833-11	METAL CHIP	10K 5% 1/10W
R6402	1-216-833-11	METAL CHIP	10K 5% 1/10W	R6537	1-249-389-11	CARBON	4.7 5% 1/4W
R6403	1-218-887-11	METAL CHIP	47K 0.5% 1/10W	R6539	1-216-796-11	METAL CHIP	8.2 5% 1/10W
R6405	1-216-829-11	METAL CHIP	4.7K 5% 1/10W	R6540	1-249-389-11	CARBON	4.7 5% 1/4W
R6406	1-216-821-11	METAL CHIP	1K 5% 1/10W	R6545	1-208-840-11	METAL CHIP	270K 0.5% 1/10W
R6407	1-216-857-11	METAL CHIP	1M 5% 1/10W	R6546	1-218-760-11	METAL CHIP	220K 0.5% 1/10W
R6408	1-218-871-11	METAL CHIP	10K 0.5% 1/10W	R6547	1-218-760-11	METAL CHIP	220K 0.5% 1/10W
R6409	1-216-833-11	METAL CHIP	10K 5% 1/10W	R6548	1-218-760-11	METAL CHIP	220K 0.5% 1/10W
R6410	1-216-821-11	METAL CHIP	1K 5% 1/10W	R6549	1-208-834-11	METAL CHIP	150K 0.5% 1/10W
R6412	1-216-833-11	METAL CHIP	10K 5% 1/10W	R6550	1-218-867-11	METAL CHIP	6.8K 0.5% 1/10W
R6413	1-218-863-11	METAL CHIP	4.7K 0.5% 1/10W	R6551	1-249-393-11	CARBON	10 5% 1/4W
R6414	1-216-833-11	METAL CHIP	10K 5% 1/10W	R6552	1-216-809-11	METAL CHIP	100 5% 1/10W
R6415	1-216-833-11	METAL CHIP	10K 5% 1/10W	R6557	1-218-823-11	METAL CHIP	100 0.5% 1/10W
R6416	1-216-817-11	METAL CHIP	470 5% 1/10W	R6558	1-218-851-11	METAL CHIP	1.5K 0.5% 1/10W
R6417	1-216-821-11	METAL CHIP	1K 5% 1/10W	R6559	1-218-887-11	METAL CHIP	47K 0.5% 1/10W
R6418	1-216-845-11	METAL CHIP	100K 5% 1/10W	R6561	1-218-895-11	METAL CHIP	100K 0.5% 1/10W
R6419	1-216-837-11	METAL CHIP	22K 5% 1/10W	R6562	1-218-871-11	METAL CHIP	10K 0.5% 1/10W
R6420	1-216-833-11	METAL CHIP	10K 5% 1/10W	R6563	1-216-821-11	METAL CHIP	1K 5% 1/10W
R6421	1-216-841-11	METAL CHIP	47K 5% 1/10W			<RELAY>	
R6425	1-216-837-11	METAL CHIP	22K 5% 1/10W	RY6003	\triangle 1-755-418-12	RELAY (AC POWER)	
R6436	1-216-829-11	METAL CHIP	4.7K 5% 1/10W			<TRANSISTOR>	
R6437	1-216-821-11	METAL CHIP	1K 5% 1/10W	T6201	\triangle 1-443-848-11	CONVERTER TRANSFORMER (PIT)	
R6440	1-216-833-11	METAL CHIP	10K 5% 1/10W	T6301	\triangle 1-445-089-11	CONVERTER TRANSFORMER (SBT)	
R6441	1-216-839-11	METAL CHIP	33K 5% 1/10W			<VARISTOR>	
R6442	1-216-833-11	METAL CHIP	10K 5% 1/10W	VD6000	\triangle 1-804-996-21	VARISTOR	
R6443	1-216-833-11	METAL CHIP	10K 5% 1/10W	VD6001	\triangle 1-804-996-21	VARISTOR	
R6444	1-216-837-11	METAL CHIP	22K 5% 1/10W			*****	
R6445	1-216-833-11	METAL CHIP	10K 5% 1/10W			A-1196-378-B D2 MOUNT (KLV-46X200A/46X250A)	
R6447	1-216-864-11	SHORT CHIP	0			A-1196-379-B D3 MOUNT (KLV-46X200A/46X250A)	
R6450	1-216-864-11	SHORT CHIP	0			*****	
R6451	1-216-833-11	METAL CHIP	10K 5% 1/10W			2-580-592-01 SCREW, +PSW M3X8	
R6452	1-218-879-11	METAL CHIP	22K 0.5% 1/10W			2-580-592-01 SCREW, +PSW M3X8	
R6453	1-216-833-11	METAL CHIP	10K 5% 1/10W			<CAPACITOR>	
R6454	1-216-829-11	METAL CHIP	4.7K 5% 1/10W	C6200	1-112-737-11	CERAMIC	27PF 5% 6.3KV
R6455	1-218-903-11	METAL CHIP	220K 0.5% 1/10W	C6201	1-112-737-11	CERAMIC	27PF 5% 6.3KV
R6456	1-218-885-11	METAL CHIP	39K 0.5% 1/10W	C6202	1-112-737-11	CERAMIC	27PF 5% 6.3KV
R6457	1-216-833-11	METAL CHIP	10K 5% 1/10W	C6203	1-112-737-11	CERAMIC	27PF 5% 6.3KV
R6459	1-218-863-11	METAL CHIP	4.7K 0.5% 1/10W	C6204	1-162-970-11	CERAMIC CHIP	0.01UF 10.00% 25V
R6460	1-216-864-11	SHORT CHIP	0	C6205	1-112-740-91	CERAMIC	10PF 5% 3KV
R6461	1-216-833-11	METAL CHIP	10K 5% 1/10W	C6206	1-112-740-91	CERAMIC	10PF 5% 3KV
R6462	1-216-833-11	METAL CHIP	10K 5% 1/10W	C6207	1-162-967-11	CERAMIC CHIP	0.0033UF 10.00% 50V
R6463	1-216-864-11	SHORT CHIP	0	C6208	1-112-740-91	CERAMIC	10PF 5% 3KV
R6501	1-216-857-11	METAL CHIP	1M 5% 1/10W	C6209	1-112-740-91	CERAMIC	10PF 5% 3KV
R6502	1-243-550-71	METAL OXIDE	6.8 5% 2W	C6210	1-162-967-11	CERAMIC CHIP	0.0033UF 10.00% 50V
R6503	1-215-882-00	METAL OXIDE	22 5% 2W	C6211	1-112-740-91	CERAMIC	10PF 5% 3KV
R6510	1-218-760-11	METAL CHIP	220K 0.5% 1/10W				
R6511	1-218-760-11	METAL CHIP	220K 0.5% 1/10W				
R6512	1-218-907-11	METAL CHIP	330K 0.5% 1/10W				
R6513	1-218-879-11	METAL CHIP	22K 0.5% 1/10W				
R6514	1-218-903-11	METAL CHIP	220K 0.5% 1/10W				
R6516	1-218-760-11	METAL CHIP	220K 0.5% 1/10W				
R6517	1-218-760-11	METAL CHIP	220K 0.5% 1/10W				
R6518	1-218-760-11	METAL CHIP	220K 0.5% 1/10W				
R6519	1-218-760-11	METAL CHIP	220K 0.5% 1/10W				
R6520	1-218-760-11	METAL CHIP	220K 0.5% 1/10W				
R6521	1-218-911-11	METAL CHIP	470K 0.5% 1/10W				

The components identified Δ marked are critical for safety.
Replace only with the part number specified.

D2 **D3**

REF. NO.	PART NO.	DESCRIPTION	REMARK	REF. NO.	PART NO.	DESCRIPTION	REMARK
C6212	1-112-740-91	CERAMIC 10PF	5% 3KV	C6760	1-137-980-91	CERAMIC CHIP 0.47UF	10% 50V
C6213	1-162-967-11	CERAMIC CHIP 0.0033UF	10.00% 50V	C6761	1-104-329-11	CERAMIC CHIP 0.1UF	10.00% 50V
C6214	1-112-740-91	CERAMIC 10PF	5% 3KV	C6762	1-137-980-91	CERAMIC CHIP 0.47UF	10% 50V
C6215	1-112-740-91	CERAMIC 10PF	5% 3KV	C6763	1-162-970-11	CERAMIC CHIP 0.01UF	10.00% 25V
C6216	1-162-967-11	CERAMIC CHIP 0.0033UF	10.00% 50V	C6764	1-162-970-11	CERAMIC CHIP 0.01UF	10.00% 25V
C6221	1-107-826-11	CERAMIC CHIP 0.1UF	10.00% 16V	C6765	1-162-970-11	CERAMIC CHIP 0.01UF	10.00% 25V
C6222	1-107-826-11	CERAMIC CHIP 0.1UF	10.00% 16V	C6766	1-162-970-11	CERAMIC CHIP 0.01UF	10.00% 25V
C6223	1-107-826-11	CERAMIC CHIP 0.1UF	10.00% 16V	C6768	1-107-875-91	ELECT 220UF	20% 10V
C6224	1-107-826-11	CERAMIC CHIP 0.1UF	10.00% 16V	C6769	1-115-339-11	CERAMIC CHIP 0.1UF	10.00% 50V
C6225	1-107-888-11	ELECT 47UF	20% 25V	C6770	1-107-902-11	ELECT 1UF	20% 50V
C6226	1-162-970-11	CERAMIC CHIP 0.01UF	10.00% 25V	C6771	1-107-902-11	ELECT 1UF	20% 50V
C6227	1-162-970-11	CERAMIC CHIP 0.01UF	10.00% 25V	C6772	1-107-888-11	ELECT 47UF	20% 25V
C6228	1-162-970-11	CERAMIC CHIP 0.01UF	10.00% 25V	C6773	1-100-566-91	CERAMIC CHIP 0.1UF	10.00% 25V
C6229	1-164-227-11	CERAMIC CHIP 0.022UF	10.00% 25V	C6774	1-100-566-91	CERAMIC CHIP 0.1UF	10.00% 25V
C6230	1-162-970-11	CERAMIC CHIP 0.01UF	10.00% 25V	C6775	1-162-966-11	CERAMIC CHIP 0.0022UF	10.00% 50V
C6231	1-107-906-11	ELECT 10UF	20% 50V	C6776	1-162-966-11	CERAMIC CHIP 0.0022UF	10.00% 50V
C6233	1-162-970-11	CERAMIC CHIP 0.01UF	10.00% 25V	C6777	1-162-970-11	CERAMIC CHIP 0.01UF	10.00% 25V
C6234	1-162-970-11	CERAMIC CHIP 0.01UF	10.00% 25V	C6778	1-162-970-11	CERAMIC CHIP 0.01UF	10.00% 25V
C6235	1-162-970-11	CERAMIC CHIP 0.01UF	10.00% 25V	C6779	1-163-809-11	CERAMIC CHIP 0.047UF	10.00% 25V
C6236	1-162-970-11	CERAMIC CHIP 0.01UF	10.00% 25V	C6800	Δ 1-112-744-61	MYLAR 1UF	10% 450V
C6237	1-162-970-11	CERAMIC CHIP 0.01UF	10.00% 25V	C6801	Δ 1-112-744-61	MYLAR 1UF	10% 450V
C6238	1-107-888-11	ELECT 47UF	20% 25V	C6806	Δ 1-112-744-61	MYLAR 1UF	10% 450V
C6239	1-107-888-11	ELECT 47UF	20% 25V	C6813	Δ 1-112-744-61	MYLAR 1UF	10% 450V
C6240	1-100-566-91	CERAMIC CHIP 0.1UF	10.00% 25V	C6817	Δ 1-112-744-61	MYLAR 1UF	10% 450V
C6241	1-100-566-91	CERAMIC CHIP 0.1UF	10.00% 25V	C6858	1-115-339-11	CERAMIC CHIP 0.1UF	10.00% 50V
C6242	1-100-566-91	CERAMIC CHIP 0.1UF	10.00% 25V	C6859	1-115-339-11	CERAMIC CHIP 0.1UF	10.00% 50V
C6243	1-100-566-91	CERAMIC CHIP 0.1UF	10.00% 25V	C6900	1-107-888-11	ELECT 47UF	20% 25V
C6248	1-162-970-11	CERAMIC CHIP 0.01UF	10.00% 25V	C6901	1-100-566-91	CERAMIC CHIP 0.1UF	10.00% 25V
C6600	Δ 1-112-744-61	MYLAR 1UF	10% 450V	C6902	1-100-566-91	CERAMIC CHIP 0.1UF	10.00% 25V
C6601	Δ 1-112-744-61	MYLAR 1UF	10% 450V	C6905	1-112-737-11	CERAMIC 27PF	5% 6.3KV
C6606	Δ 1-112-744-61	MYLAR 1UF	10% 450V	C6906	1-112-737-11	CERAMIC 27PF	5% 6.3KV
C6609	Δ 1-112-744-61	MYLAR 1UF	10% 450V	C6907	1-162-970-11	CERAMIC CHIP 0.01UF	10.00% 25V
C6610	Δ 1-112-744-61	MYLAR 1UF	10% 450V	C6908	1-112-740-91	CERAMIC 10PF	5% 3KV
C6658	1-115-339-11	CERAMIC CHIP 0.1UF	10.00% 50V	C6909	1-112-740-91	CERAMIC 10PF	5% 3KV
C6659	1-115-339-11	CERAMIC CHIP 0.1UF	10.00% 50V	C6910	1-162-967-11	CERAMIC CHIP 0.0033UF	10.00% 50V
C6701	1-112-737-11	CERAMIC 27PF	5% 6.3KV	C6911	1-112-740-91	CERAMIC 10PF	5% 3KV
C6705	1-112-740-91	CERAMIC 10PF	5% 3KV	C6912	1-112-740-91	CERAMIC 10PF	5% 3KV
C6706	1-112-740-91	CERAMIC 10PF	5% 3KV	C6913	1-162-967-11	CERAMIC CHIP 0.0033UF	10.00% 50V
C6707	1-162-967-11	CERAMIC CHIP 0.0033UF	10.00% 50V	C6916	1-107-826-11	CERAMIC CHIP 0.1UF	10.00% 16V
C6709	1-107-826-11	CERAMIC CHIP 0.1UF	10.00% 16V	C6917	1-107-826-11	CERAMIC CHIP 0.1UF	10.00% 16V
C6714	1-112-737-11	CERAMIC 27PF	5% 6.3KV	C6918	1-107-902-11	ELECT 1UF	20% 50V
C6720	1-112-740-91	CERAMIC 10PF	5% 3KV	C6919	1-107-902-11	ELECT 1UF	20% 50V
C6721	1-112-740-91	CERAMIC 10PF	5% 3KV	C6921	1-162-966-11	CERAMIC CHIP 0.0022UF	10.00% 50V
C6722	1-162-967-11	CERAMIC CHIP 0.0033UF	10.00% 50V	C6922	1-162-966-11	CERAMIC CHIP 0.0022UF	10.00% 50V
C6726	1-107-826-11	CERAMIC CHIP 0.1UF	10.00% 16V	C6923	1-162-966-11	CERAMIC CHIP 0.0022UF	10.00% 50V
C6731	1-107-888-11	ELECT 47UF	20% 25V	C6924	1-162-966-11	CERAMIC CHIP 0.0022UF	10.00% 50V
C6732	1-162-970-11	CERAMIC CHIP 0.01UF	10.00% 25V	C6925	1-127-803-91	CERAMIC CHIP 270PF	1% 50V
C6734	1-162-970-11	CERAMIC CHIP 0.01UF	10.00% 25V	C6926	1-162-970-11	CERAMIC CHIP 0.01UF	10.00% 25V
C6735	1-164-227-11	CERAMIC CHIP 0.022UF	10.00% 25V	C6927	1-107-826-11	CERAMIC CHIP 0.1UF	10.00% 16V
C6737	1-162-970-11	CERAMIC CHIP 0.01UF	10.00% 25V	C6929	1-162-970-11	CERAMIC CHIP 0.01UF	10.00% 25V
C6738	1-162-970-11	CERAMIC CHIP 0.01UF	10.00% 25V	C6930	1-107-888-11	ELECT 47UF	20% 25V
C6739	1-162-970-11	CERAMIC CHIP 0.01UF	10.00% 25V	C6931	1-137-980-91	CERAMIC CHIP 0.47UF	10% 50V
C6740	1-162-970-11	CERAMIC CHIP 0.01UF	10.00% 25V	C6932	1-104-329-11	CERAMIC CHIP 0.1UF	10.00% 50V
C6742	1-107-826-11	CERAMIC CHIP 0.1UF	10.00% 16V	C6933	1-137-980-91	CERAMIC CHIP 0.47UF	10% 50V
C6743	1-115-339-11	CERAMIC CHIP 0.1UF	10.00% 50V	C6934	1-127-573-11	CERAMIC CHIP 1UF	10% 16V
C6751	1-162-970-11	CERAMIC CHIP 0.01UF	10.00% 25V	C6937	1-163-809-11	CERAMIC CHIP 0.047UF	10.00% 25V
C6753	1-127-803-91	CERAMIC CHIP 270PF	1% 50V	C6938	1-112-034-91	CERAMIC CHIP 0.01UF	5% 50V
C6754	1-162-966-11	CERAMIC CHIP 0.0022UF	10.00% 50V	C6939	1-107-826-11	CERAMIC CHIP 0.1UF	10.00% 16V
C6755	1-162-966-11	CERAMIC CHIP 0.0022UF	10.00% 50V	C6940	1-100-597-91	CERAMIC CHIP 0.1UF	10% 25V
C6756	1-162-970-11	CERAMIC CHIP 0.01UF	10.00% 25V				
C6757	1-162-970-11	CERAMIC CHIP 0.01UF	10.00% 25V			<CONNECTOR>	
C6758	1-162-970-11	CERAMIC CHIP 0.01UF	10.00% 25V	CN6600	Δ * 1-793-660-11	PIN, CONNECTOR (PC BOARD) 3P	
C6759	1-107-888-11	ELECT 47UF	20% 25V	CN6700	* 1-820-458-11	HEADER ASSEMBLY FOR PWB 2P	
				CN6751	* 1-785-703-11	PIN, CONNECTOR (PC BOARD) 6P	

The components identified Δ marked are critical for safety.
Replace only with the part number specified.

D2 **D3**

REF. NO.	PART NO.	DESCRIPTION	REMARK	REF. NO.	PART NO.	DESCRIPTION	REMARK
CN6753	* 1-793-236-11	PIN, CONNECTOR (PC BOARD) 14P		D6756	8-719-404-50	DIODE MA111-TX	
CN6754	* 1-820-458-11	HEADER ASSEMBLY FOR PWB 2P		D6800	6-501-497-01	DIODE S3L60F	
CN6800 Δ	* 1-793-660-11	PIN, CONNECTOR (PC BOARD) 3P		D6801	6-501-497-01	DIODE S3L60F	
CN6900	* 1-820-458-11	HEADER ASSEMBLY FOR PWB 2P		D6802	8-719-041-97	DIODE MA113-(TX)	
CN6901	* 1-793-236-11	PIN, CONNECTOR (PC BOARD) 14P		D6803	8-719-041-97	DIODE MA113-(TX)	
CN6902	* 1-820-458-11	HEADER ASSEMBLY FOR PWB 2P		D6804	6-501-497-01	DIODE S3L60F	
		<DIODE>		D6805	6-501-497-01	DIODE S3L60F	
D6200	8-719-404-50	DIODE MA111-TX		D6806	8-719-041-97	DIODE MA113-(TX)	
D6201	8-719-404-50	DIODE MA111-TX		D6807	8-719-041-97	DIODE MA113-(TX)	
D6202	8-719-404-50	DIODE MA111-TX		D6812	6-501-497-01	DIODE S3L60F	
D6203	8-719-404-50	DIODE MA111-TX		D6813	6-501-497-01	DIODE S3L60F	
D6204	8-719-404-50	DIODE MA111-TX		D6814	6-501-497-01	DIODE S3L60F	
D6205	8-719-404-50	DIODE MA111-TX		D6815	6-501-497-01	DIODE S3L60F	
D6206	8-719-404-50	DIODE MA111-TX		D6816	6-501-497-01	DIODE S3L60F	
D6207	8-719-404-50	DIODE MA111-TX		D6817	6-501-497-01	DIODE S3L60F	
D6208	8-719-062-51	DIODE 1PS226-115		D6818	6-501-497-01	DIODE S3L60F	
D6209	8-719-062-51	DIODE 1PS226-115		D6819	6-501-497-01	DIODE S3L60F	
D6210	8-719-062-51	DIODE 1PS226-115		D6821	8-719-083-57	DIODE UDZSTE-173.6B	
D6211	8-719-062-51	DIODE 1PS226-115		D6822	8-719-083-57	DIODE UDZSTE-173.6B	
D6212	8-719-404-50	DIODE MA111-TX		D6823	8-719-083-57	DIODE UDZSTE-173.6B	
D6213	8-719-404-50	DIODE MA111-TX		D6824	8-719-083-57	DIODE UDZSTE-173.6B	
D6214	8-719-404-50	DIODE MA111-TX		D6901	8-719-404-50	DIODE MA111-TX	
D6215	8-719-404-50	DIODE MA111-TX		D6902	8-719-404-50	DIODE MA111-TX	
D6216	8-719-404-50	DIODE MA111-TX		D6903	8-719-404-50	DIODE MA111-TX	
D6217	8-719-404-50	DIODE MA111-TX		D6904	8-719-404-50	DIODE MA111-TX	
D6218	8-719-404-50	DIODE MA111-TX		D6905	8-719-062-51	DIODE 1PS226-115	
D6219	8-719-404-50	DIODE MA111-TX		D6906	8-719-062-51	DIODE 1PS226-115	
D6600	6-501-497-01	DIODE S3L60F		D6907	8-719-404-50	DIODE MA111-TX	
D6601	6-501-497-01	DIODE S3L60F		D6908	8-719-404-50	DIODE MA111-TX	
D6602	6-501-497-01	DIODE S3L60F		D6910	8-719-404-50	DIODE MA111-TX	
D6603	6-501-497-01	DIODE S3L60F		D6911	8-719-404-50	DIODE MA111-TX	
D6604	6-501-497-01	DIODE S3L60F		D6920	8-719-422-37	DIODE MA8051-TX	
D6605	6-501-497-01	DIODE S3L60F				<FERRITE BEAD>	
D6606	8-719-041-97	DIODE MA113-(TX)		FB6600	1-410-397-21	FERRITE	1.1UH
D6607	8-719-041-97	DIODE MA113-(TX)		FB6602	1-410-397-21	FERRITE	1.1UH
D6608	8-719-041-97	DIODE MA113-(TX)		FB6604	1-410-397-21	FERRITE	1.1UH
D6609	8-719-041-97	DIODE MA113-(TX)		FB6606	1-410-397-21	FERRITE	1.1UH
D6614	6-501-497-01	DIODE S3L60F		FB6800	1-410-397-21	FERRITE	1.1UH
D6615	6-501-497-01	DIODE S3L60F		FB6802	1-410-397-21	FERRITE	1.1UH
D6616	6-501-497-01	DIODE S3L60F		FB6803	1-410-397-21	FERRITE	1.1UH
D6617	6-501-497-01	DIODE S3L60F		FB6804	1-410-397-21	FERRITE	1.1UH
D6618	6-501-497-01	DIODE S3L60F				<IC>	
D6619	6-501-497-01	DIODE S3L60F		IC6200	* 8-759-575-27	IC BA10339F-E2	
D6620	8-719-083-57	DIODE UDZSTE-173.6B		IC6730	* 8-759-575-27	IC BA10339F-E2	
D6621	8-719-083-57	DIODE UDZSTE-173.6B		IC6750	6-709-792-01	IC BD9890F-E2	
D6622	8-719-083-57	DIODE UDZSTE-173.6B		IC6900	6-709-792-01	IC BD9890F-E2	
D6623	8-719-083-57	DIODE UDZSTE-173.6B		IC6901	8-759-510-73	IC BA10393F-E2	
D6700	8-719-062-51	DIODE 1PS226-115				<JUMPER READ>	
D6701	8-719-404-50	DIODE MA111-TX		JR6600	1-216-864-11	SHORT CHIP	0
D6703	8-719-404-50	DIODE MA111-TX		JR6605	1-216-296-11	SHORT CHIP	0
D6704	8-719-404-50	DIODE MA111-TX		JR6606	1-216-296-11	SHORT CHIP	0
D6709	8-719-062-51	DIODE 1PS226-115		JR6607	1-216-296-11	SHORT CHIP	0
D6710	8-719-404-50	DIODE MA111-TX		JR6608	1-216-296-11	SHORT CHIP	0
D6715	8-719-404-50	DIODE MA111-TX		JR6609	1-216-296-11	SHORT CHIP	0
D6716	8-719-404-50	DIODE MA111-TX		JR6610	1-216-296-11	SHORT CHIP	0
D6717	8-719-404-50	DIODE MA111-TX		JR6611	1-216-864-11	SHORT CHIP	0
D6733	8-719-404-50	DIODE MA111-TX		JR6612	1-216-864-11	SHORT CHIP	0
D6734	8-719-404-50	DIODE MA111-TX		JR6613	1-216-296-11	SHORT CHIP	0
D6752	8-719-404-50	DIODE MA111-TX					
D6753	8-719-404-50	DIODE MA111-TX					
D6754	8-719-404-50	DIODE MA111-TX					
D6755	8-719-404-50	DIODE MA111-TX					

The components identified \triangle marked are critical for safety.
Replace only with the part number specified.

D2 **D3**

REF. NO.	PART NO.	DESCRIPTION	REMARK	REF. NO.	PART NO.	DESCRIPTION	REMARK
JR6614	1-216-296-11	SHORT CHIP	0			<TRANSISTOR>	
JR6616	1-216-296-11	SHORT CHIP	0				
JR6617	1-216-296-11	SHORT CHIP	0	Q6200	8-729-026-49	TRANSISTOR 2SA1037AK-T146-R	
JR6618	1-216-296-11	SHORT CHIP	0	Q6201	8-729-120-28	TRANSISTOR 2SC1623-L5L6	
JR6619	1-216-296-11	SHORT CHIP	0	Q6202	8-729-019-94	TRANSISTOR 2SK1589-L	
				Q6203	8-729-019-94	TRANSISTOR 2SK1589-L	
JR6620	1-216-296-11	SHORT CHIP	0	Q6204	8-729-019-94	TRANSISTOR 2SK1589-L	
JR6621	1-216-296-11	SHORT CHIP	0				
JR6622	1-216-296-11	SHORT CHIP	0	Q6205	8-729-019-94	TRANSISTOR 2SK1589-L	
JR6624	1-216-296-11	SHORT CHIP	0	Q6206	8-729-820-90	TRANSISTOR 2SD1621-ST	
JR6625	1-216-295-91	SHORT CHIP	0	Q6207	8-729-804-41	TRANSISTOR 2SB1122-S	
				Q6208	8-729-820-90	TRANSISTOR 2SD1621-ST	
JR6626	1-216-296-11	SHORT CHIP	0	Q6209	8-729-804-41	TRANSISTOR 2SB1122-S	
JR6627	1-216-296-11	SHORT CHIP	0				
JR6628	1-216-296-11	SHORT CHIP	0	Q6210	8-729-820-90	TRANSISTOR 2SD1621-ST	
JR6629	1-216-864-11	SHORT CHIP	0	Q6211	8-729-804-41	TRANSISTOR 2SB1122-S	
JR6630	1-216-864-11	SHORT CHIP	0	Q6212	8-729-820-90	TRANSISTOR 2SD1621-ST	
				Q6213	8-729-804-41	TRANSISTOR 2SB1122-S	
JR6631	1-216-296-11	SHORT CHIP	0	Q6600	6-551-403-01	TRANSISTOR 2SK3797(LBS1SONY.	
JR6700	1-216-296-11	SHORT CHIP	0				
JR6703	1-216-296-11	SHORT CHIP	0	Q6601	6-551-403-01	TRANSISTOR 2SK3797(LBS1SONY.	
JR6704	1-216-296-11	SHORT CHIP	0	Q6602	6-551-403-01	TRANSISTOR 2SK3797(LBS1SONY.	
JR6705	1-216-296-11	SHORT CHIP	0	Q6603	6-551-403-01	TRANSISTOR 2SK3797(LBS1SONY.	
				Q6604	8-729-804-41	TRANSISTOR 2SB1122-S	
JR6706	1-216-296-11	SHORT CHIP	0	Q6605	8-729-804-41	TRANSISTOR 2SB1122-S	
JR6707	1-216-864-11	SHORT CHIP	0				
JR6708	1-216-864-11	SHORT CHIP	0	Q6606	8-729-804-41	TRANSISTOR 2SB1122-S	
JR6709	1-216-296-11	SHORT CHIP	0	Q6607	8-729-804-41	TRANSISTOR 2SB1122-S	
JR6711	1-216-296-11	SHORT CHIP	0	Q6751	8-729-026-49	TRANSISTOR 2SA1037AK-T146-R	
				Q6752	8-729-026-49	TRANSISTOR 2SA1037AK-T146-R	
JR6712	1-216-296-11	SHORT CHIP	0	Q6753	8-729-120-28	TRANSISTOR 2SC1623-L5L6	
JR6713	1-216-296-11	SHORT CHIP	0				
JR6714	1-216-296-11	SHORT CHIP	0	Q6754	8-729-120-28	TRANSISTOR 2SC1623-L5L6	
JR6715	1-216-296-11	SHORT CHIP	0	Q6755	8-729-026-49	TRANSISTOR 2SA1037AK-T146-R	
JR6716	1-216-864-11	SHORT CHIP	0	Q6756	8-729-120-28	TRANSISTOR 2SC1623-L5L6	
				Q6757	8-729-120-28	TRANSISTOR 2SC1623-L5L6	
JR6717	1-216-864-11	SHORT CHIP	0	Q6758	8-729-019-94	TRANSISTOR 2SK1589-L	
JR6718	1-216-296-11	SHORT CHIP	0				
JR6719	1-216-864-11	SHORT CHIP	0	Q6759	8-729-820-90	TRANSISTOR 2SD1621-ST	
JR6720	1-216-864-11	SHORT CHIP	0	Q6760	8-729-804-41	TRANSISTOR 2SB1122-S	
JR6721	1-216-296-11	SHORT CHIP	0	Q6761	8-729-019-94	TRANSISTOR 2SK1589-L	
				Q6762	8-729-820-90	TRANSISTOR 2SD1621-ST	
JR6800	1-216-296-11	SHORT CHIP	0	Q6763	8-729-804-41	TRANSISTOR 2SB1122-S	
JR6801	1-216-296-11	SHORT CHIP	0				
JR6802	1-216-296-11	SHORT CHIP	0	Q6764	8-729-120-28	TRANSISTOR 2SC1623-L5L6	
JR6803	1-216-864-11	SHORT CHIP	0	Q6800	6-551-403-01	TRANSISTOR 2SK3797(LBS1SONY.	
JR6804	1-216-864-11	SHORT CHIP	0	Q6801	6-551-403-01	TRANSISTOR 2SK3797(LBS1SONY.	
				Q6802	8-729-804-41	TRANSISTOR 2SB1122-S	
JR6805	1-216-296-11	SHORT CHIP	0	Q6803	8-729-804-41	TRANSISTOR 2SB1122-S	
JR6806	1-216-296-11	SHORT CHIP	0				
JR6807	1-216-296-11	SHORT CHIP	0	Q6804	8-729-804-41	TRANSISTOR 2SB1122-S	
JR6808	1-216-296-11	SHORT CHIP	0	Q6805	8-729-804-41	TRANSISTOR 2SB1122-S	
JR6809	1-216-296-11	SHORT CHIP	0	Q6806	6-551-403-01	TRANSISTOR 2SK3797(LBS1SONY.	
				Q6807	6-551-403-01	TRANSISTOR 2SK3797(LBS1SONY.	
JR6810	1-216-296-11	SHORT CHIP	0	Q6900	8-729-019-94	TRANSISTOR 2SK1589-L	
JR6811	1-216-296-11	SHORT CHIP	0				
JR6812	1-216-296-11	SHORT CHIP	0	Q6901	8-729-019-94	TRANSISTOR 2SK1589-L	
JR6813	1-216-296-11	SHORT CHIP	0	Q6902	8-729-820-90	TRANSISTOR 2SD1621-ST	
JR6814	1-216-296-11	SHORT CHIP	0	Q6903	8-729-804-41	TRANSISTOR 2SB1122-S	
				Q6904	8-729-820-90	TRANSISTOR 2SD1621-ST	
JR6815	1-216-296-11	SHORT CHIP	0	Q6905	8-729-804-41	TRANSISTOR 2SB1122-S	
JR6816	1-216-296-11	SHORT CHIP	0				
JR6817	1-216-296-11	SHORT CHIP	0	Q6906	8-729-120-28	TRANSISTOR 2SC1623-L5L6	
JR6818	1-216-296-11	SHORT CHIP	0	Q6907	8-729-120-28	TRANSISTOR 2SC1623-L5L6	
JR6819	1-216-864-11	SHORT CHIP	0				
						<RESISTOR>	
JR6820	1-216-296-11	SHORT CHIP	0				
JR6822	1-216-296-11	SHORT CHIP	0	R6200	1-216-821-11	METAL CHIP 1K 5% 1/10W	
JR6823	1-216-296-11	SHORT CHIP	0	R6201	1-216-837-11	METAL CHIP 22K 5% 1/10W	
JR6824	1-216-864-11	SHORT CHIP	0	R6202	1-216-833-11	METAL CHIP 10K 5% 1/10W	
JR6828	1-216-296-11	SHORT CHIP	0	R6203	1-216-821-11	METAL CHIP 1K 5% 1/10W	
				R6204	1-216-821-11	METAL CHIP 1K 5% 1/10W	
		<COIL>					
L6600	\triangle 1-406-977-21	INDUCTOR	100UH	R6205	1-216-821-11	METAL CHIP 1K 5% 1/10W	
L6800	\triangle 1-406-977-21	INDUCTOR	100UH	R6206	1-216-821-11	METAL CHIP 1K 5% 1/10W	
				R6207	1-216-843-11	METAL CHIP 68K 5% 1/10W	

REF. NO.	PART NO.	DESCRIPTION	REMARK	REF. NO.	PART NO.	DESCRIPTION	REMARK
R6208	1-216-845-11	METAL CHIP	100K 5% 1/10W	R6702	1-216-843-11	METAL CHIP	68K 5% 1/10W
R6209	1-216-843-11	METAL CHIP	68K 5% 1/10W	R6703	1-216-845-11	METAL CHIP	100K 5% 1/10W
R6210	1-216-845-11	METAL CHIP	100K 5% 1/10W	R6704	1-218-837-11	METAL CHIP	390 0.5% 1/10W
R6211	1-216-843-11	METAL CHIP	68K 5% 1/10W	R6705	1-218-835-11	METAL CHIP	330 0.5% 1/10W
R6212	1-216-845-11	METAL CHIP	100K 5% 1/10W	R6706	1-218-835-11	METAL CHIP	330 0.5% 1/10W
R6213	1-216-843-11	METAL CHIP	68K 5% 1/10W	R6707	1-218-835-11	METAL CHIP	330 0.5% 1/10W
R6214	1-216-845-11	METAL CHIP	100K 5% 1/10W	R6708	1-218-835-11	METAL CHIP	330 0.5% 1/10W
R6215	1-216-857-11	METAL CHIP	1M 5% 1/10W	R6709	1-218-835-11	METAL CHIP	330 0.5% 1/10W
R6216	1-216-857-11	METAL CHIP	1M 5% 1/10W	R6710	1-218-833-11	METAL CHIP	270 0.5% 1/10W
R6217	1-216-837-11	METAL CHIP	22K 5% 1/10W	R6711	1-218-833-11	METAL CHIP	270 0.5% 1/10W
R6218	1-216-837-11	METAL CHIP	22K 5% 1/10W	R6712	1-218-833-11	METAL CHIP	270 0.5% 1/10W
R6219	1-216-837-11	METAL CHIP	22K 5% 1/10W	R6714	1-218-833-11	METAL CHIP	270 0.5% 1/10W
R6220	1-216-833-11	METAL CHIP	10K 5% 1/10W	R6715	1-216-797-11	METAL CHIP	10 5% 1/10W
R6221	1-216-833-11	METAL CHIP	10K 5% 1/10W	R6716	1-216-797-11	METAL CHIP	10 5% 1/10W
R6222	1-216-837-11	METAL CHIP	22K 5% 1/10W	R6717	1-216-797-11	METAL CHIP	10 5% 1/10W
R6223	1-216-857-11	METAL CHIP	1M 5% 1/10W	R6718	1-216-797-11	METAL CHIP	10 5% 1/10W
R6224	1-216-833-11	METAL CHIP	10K 5% 1/10W	R6719	1-216-821-11	METAL CHIP	1K 5% 1/10W
R6225	1-216-857-11	METAL CHIP	1M 5% 1/10W	R6720	1-216-843-11	METAL CHIP	68K 5% 1/10W
R6226	1-216-833-11	METAL CHIP	10K 5% 1/10W	R6721	1-216-845-11	METAL CHIP	100K 5% 1/10W
R6227	1-216-793-11	METAL CHIP	4.7 5% 1/10W	R6722	1-218-837-11	METAL CHIP	390 0.5% 1/10W
R6228	1-216-793-11	METAL CHIP	4.7 5% 1/10W	R6723	1-218-835-11	METAL CHIP	330 0.5% 1/10W
R6229	1-216-797-11	METAL CHIP	10 5% 1/10W	R6724	1-218-835-11	METAL CHIP	330 0.5% 1/10W
R6230	1-216-797-11	METAL CHIP	10 5% 1/10W	R6725	1-218-835-11	METAL CHIP	330 0.5% 1/10W
R6231	1-216-797-11	METAL CHIP	10 5% 1/10W	R6726	1-218-835-11	METAL CHIP	330 0.5% 1/10W
R6232	1-216-797-11	METAL CHIP	10 5% 1/10W	R6727	1-218-835-11	METAL CHIP	330 0.5% 1/10W
R6233	1-216-833-11	METAL CHIP	10K 5% 1/10W	R6728	1-218-833-11	METAL CHIP	270 0.5% 1/10W
R6234	1-216-833-11	METAL CHIP	10K 5% 1/10W	R6729	1-218-833-11	METAL CHIP	270 0.5% 1/10W
R6235	1-216-833-11	METAL CHIP	10K 5% 1/10W	R6730	1-218-833-11	METAL CHIP	270 0.5% 1/10W
R6236	1-216-833-11	METAL CHIP	10K 5% 1/10W	R6731	1-216-857-11	METAL CHIP	1M 5% 1/10W
R6237	1-249-417-11	CARBON	1K 5% 1/4W	R6732	1-216-857-11	METAL CHIP	1M 5% 1/10W
R6238	1-249-417-11	CARBON	1K 5% 1/4W	R6733	1-216-837-11	METAL CHIP	22K 5% 1/10W
R6239	1-249-417-11	CARBON	1K 5% 1/4W	R6734	1-216-837-11	METAL CHIP	22K 5% 1/10W
R6240	1-249-417-11	CARBON	1K 5% 1/4W	R6735	1-216-837-11	METAL CHIP	22K 5% 1/10W
R6241	1-249-417-11	CARBON	1K 5% 1/4W	R6736	1-216-837-11	METAL CHIP	22K 5% 1/10W
R6242	1-249-417-11	CARBON	1K 5% 1/4W	R6737	1-216-857-11	METAL CHIP	1M 5% 1/10W
R6243	1-249-417-11	CARBON	1K 5% 1/4W	R6738	1-216-857-11	METAL CHIP	1M 5% 1/10W
R6244	1-249-417-11	CARBON	1K 5% 1/4W	R6739	1-216-864-11	SHORT CHIP	0
R6245	1-216-809-11	METAL CHIP	100 5% 1/10W	R6740	1-249-417-11	CARBON	1K 5% 1/4W
R6246	1-216-809-11	METAL CHIP	100 5% 1/10W	R6741	1-249-417-11	CARBON	1K 5% 1/4W
R6247	1-216-809-11	METAL CHIP	100 5% 1/10W	R6742	1-216-833-11	METAL CHIP	10K 5% 1/10W
R6248	1-216-809-11	METAL CHIP	100 5% 1/10W	R6743	1-216-833-11	METAL CHIP	10K 5% 1/10W
R6251	1-216-821-11	METAL CHIP	1K 5% 1/10W	R6744	1-216-842-11	METAL CHIP	56K 5% 1/10W
R6252	1-216-837-11	METAL CHIP	22K 5% 1/10W	R6745	1-218-833-11	METAL CHIP	270 0.5% 1/10W
R6253	1-216-833-11	METAL CHIP	10K 5% 1/10W	R6746	1-218-893-11	METAL CHIP	82K 0.5% 1/10W
R6600	1-202-933-61	FUSIBLE	0.1 10% 1/2W	R6747	1-216-793-11	METAL CHIP	4.7 5% 1/10W
R6601	1-249-403-11	CARBON	68 5% 1/4W	R6748	1-218-446-11	METAL CHIP	1 5% 1/10W
R6602	1-216-793-11	METAL CHIP	4.7 5% 1/10W	R6749	1-216-821-11	METAL CHIP	1K 5% 1/10W
R6603	1-216-049-11	RES-CHIP	1K 5% 1/10W	R6750	1-216-833-11	METAL CHIP	10K 5% 1/10W
R6604	1-216-833-11	METAL CHIP	10K 5% 1/10W	R6751	1-216-833-11	METAL CHIP	10K 5% 1/10W
R6605	1-249-403-11	CARBON	68 5% 1/4W	R6752	1-216-821-11	METAL CHIP	1K 5% 1/10W
R6606	1-216-793-11	METAL CHIP	4.7 5% 1/10W	R6753	1-216-837-11	METAL CHIP	22K 5% 1/10W
R6607	1-216-049-11	RES-CHIP	1K 5% 1/10W	R6754	1-216-833-11	METAL CHIP	10K 5% 1/10W
R6608	1-216-833-11	METAL CHIP	10K 5% 1/10W	R6755	1-218-915-11	METAL CHIP	680K 0.5% 1/10W
R6609	1-249-403-11	CARBON	68 5% 1/4W	R6756	1-218-899-11	METAL CHIP	150K 0.5% 1/16W
R6610	1-216-793-11	METAL CHIP	4.7 5% 1/10W	R6757	1-218-883-11	METAL CHIP	33K 0.5% 1/10W
R6611	1-216-049-11	RES-CHIP	1K 5% 1/10W	R6758	1-218-903-11	METAL CHIP	220K 0.5% 1/10W
R6612	1-216-833-11	METAL CHIP	10K 5% 1/10W	R6759	1-218-899-11	METAL CHIP	150K 0.5% 1/16W
R6613	1-216-049-11	RES-CHIP	1K 5% 1/10W	R6761	1-218-893-11	METAL CHIP	82K 0.5% 1/10W
R6614	1-249-403-11	CARBON	68 5% 1/4W	R6762	1-218-883-11	METAL CHIP	33K 0.5% 1/10W
R6615	1-216-793-11	METAL CHIP	4.7 5% 1/10W	R6763	1-218-907-11	METAL CHIP	330K 0.5% 1/10W
R6616	1-216-833-11	METAL CHIP	10K 5% 1/10W	R6766	1-216-845-11	METAL CHIP	100K 5% 1/10W
R6619	1-216-857-11	METAL CHIP	1M 5% 1/10W	R6767	1-216-853-11	METAL CHIP	470K 5% 1/10W
R6620	1-216-857-11	METAL CHIP	1M 5% 1/10W	R6768	1-216-839-11	METAL CHIP	33K 5% 1/10W
R6701	1-216-821-11	METAL CHIP	1K 5% 1/10W				

The components identified \triangle marked are critical for safety.
 Replace only with the part number specified.

D2 **D3**

REF. NO.	PART NO.	DESCRIPTION	REMARK	REF. NO.	PART NO.	DESCRIPTION	REMARK
T6801	\triangle 8-597-050-00	HV ISOLATING TRANS HIT-1000/M					
T6802	\triangle 1-445-039-11	TRANSFORMER, DRIVE					
T6850	\triangle 1-445-039-11	TRANSFORMER, DRIVE					

<TERMINAL>

TK6700	1-537-770-21	TERMINAL BOARD, GROUND	
TK6701	1-537-770-21	TERMINAL BOARD, GROUND	
TK6900	1-537-770-21	TERMINAL BOARD, GROUND	
TK6901	1-537-770-21	TERMINAL BOARD, GROUND	

