

BA9201

Digital-to-analog converter, 8-bit, with latch

The BA9201 is an 8-bit D/A converter with a built-in reference voltage supply and internal data latch circuit.

The reference voltage supply circuit is an independent block and it can use an external reference power supply.

Systems which use multiple D/A converters can be easily designed by using the input data latch circuit.

Features

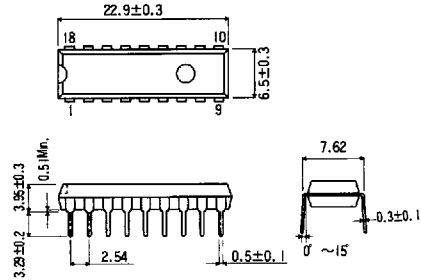
- available in DIP18 package
- built in reference supply voltage
- input latch is included to allow simple micro-computer control
- setting time is 500 ns

Applications

- measuring and control equipment
- digital audio equipment
- electrical musical instruments
- signal generators
- servo controllers

Dimensions (Units : mm)

BA9201 (DIP18)



BA9201 Digital-to-analog converter

Block diagram

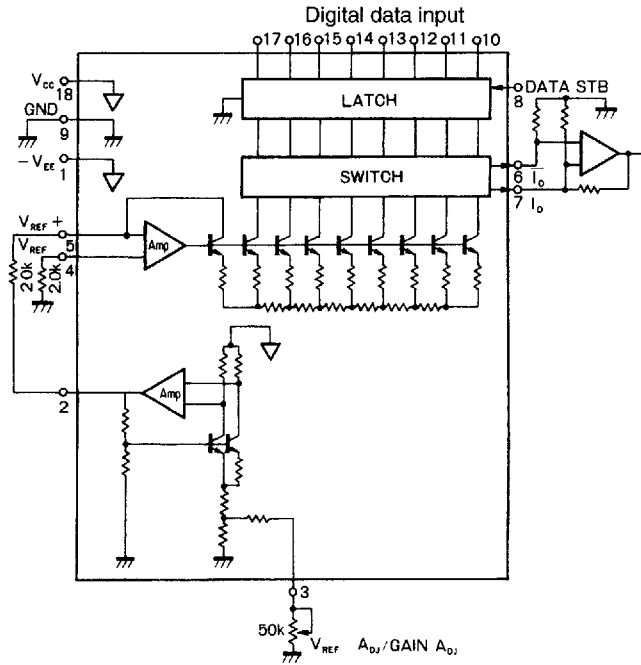
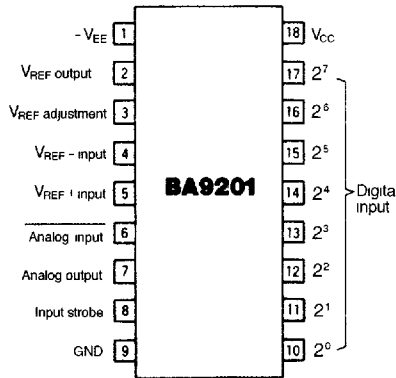


Figure 1 Pin connections



Absolute maximum ratings ($T_a = 25^\circ\text{C}$)

Parameter	Symbol	Limits	Unit	Conditions
Power supply voltage (pin 18)	V_{CC}	6	V	
Power supply voltage (pin 1)	V_{EE}	-8.5	V	
Power dissipation	P_d	500	mW	Reduce power by 5 mW/ $^\circ\text{C}$ for each degree above 25 $^\circ\text{C}$.
Operating temperature	T_{opr}	-25 ~ +75	$^\circ\text{C}$	
Storage temperature	T_{stg}	-55 ~ +125	$^\circ\text{C}$	

Code formats

Digital inputs		Analog outputs	
D7	D0	I_O (mA)	\overline{I}_O (mA)
1 1 1 1	1 1 1 1	1.992	0.000
1 1 1 1	1 1 1 0	1.984	0.008
1 0 0 0	0 0 0 0	1.000	0.992
0 1 1 1	1 1 1 1	0.992	1.000
0 0 0 0	0 0 0 1	0.008	1.984
0 0 0 0	0 0 0 0	0.000	1.992

Electrical characteristics ($T_a = 25^\circ\text{C}$, $V_{CC} = 5\text{ V}$, $V_{EE} = -7\text{ V}$)

Parameter	Symbol	Min	Typical	Max	Unit	Conditions
Resolving power	RES	8	8	8	bit	
Nonlinearity	NL			$\pm 1/2$	LSB	
Full scale current	I_{FS}	1.90	1.992	2.10	mA	
Temperature-to-current coefficient, full scale	TCI_{FS}		± 50		ppm/ $^\circ\text{C}$	When using an external reference power supply
Current asymmetric, full scale	I_{FSS}			± 10	μA	$I_O - \overline{I}_O$
Settling time	t_s		500		ns	
Internal reference voltage	V_{REF}	2.005			V	Pin 3 - 9, R = 50 k Ω
				1.990	V	Pin 3 - 9, R = 0 k Ω
Ref voltage to temperature coefficient	TCV_{REF}		± 100		ppm/ $^\circ\text{C}$	After adjusting V_{REF} to 2.00 V
High level digital input	V_{IH}	2.3			V	
Low level digital input	V_{IL}			0.8	V	
Digital input current	I_{IH}			400	μA	
Circuit current (pin 18)	I_{CC}		7		mA	
Circuit current (pin 1)	I_{EE}		+12		mA	
Operating voltage (pin18)	V_{CC}	4.5		5.5	V	
Operating voltage (pin 1)	V_{EE}	-6.3		-7.7	V	

BA9201 Digital-to-analog converter

Figure 2 Test circuit

