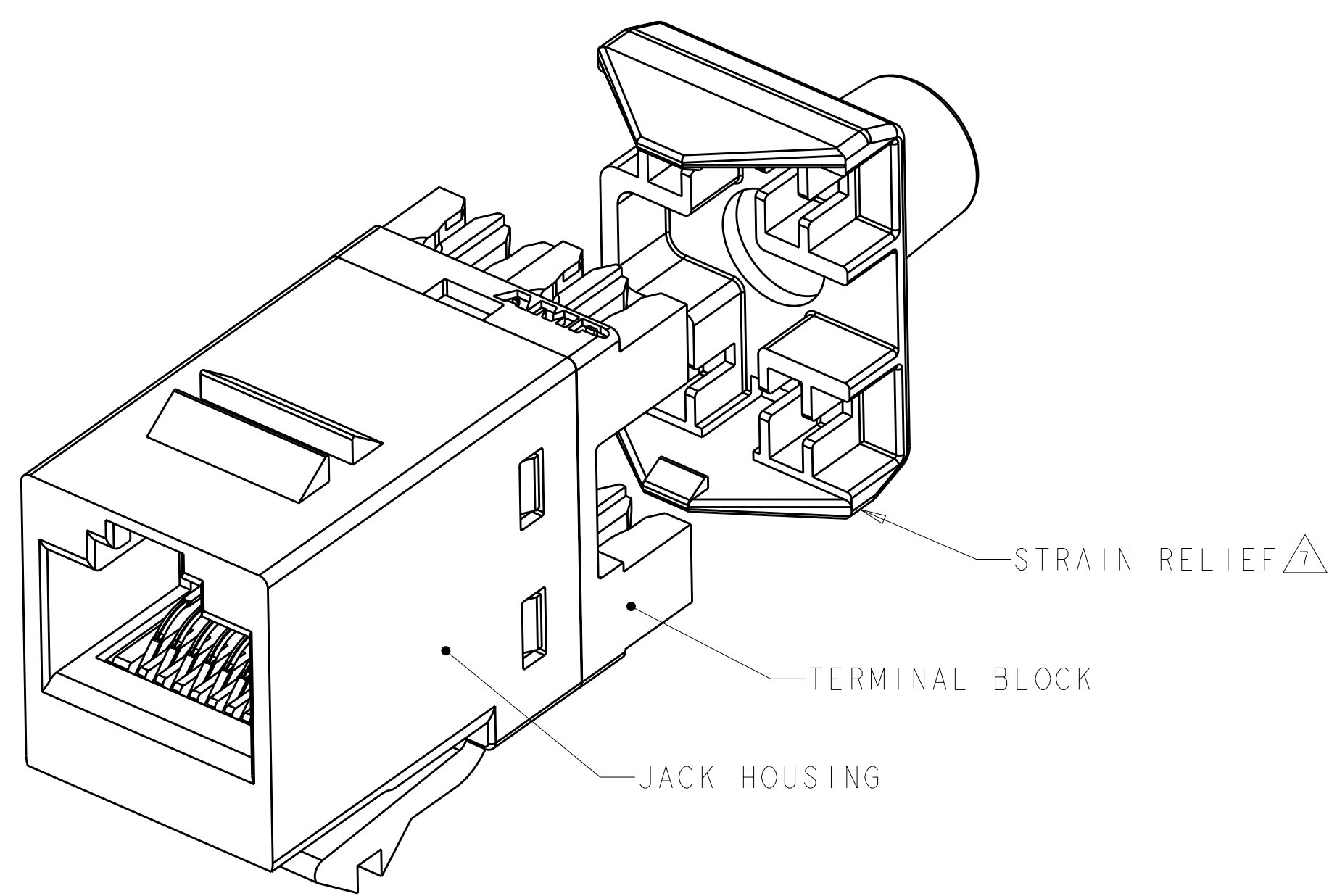
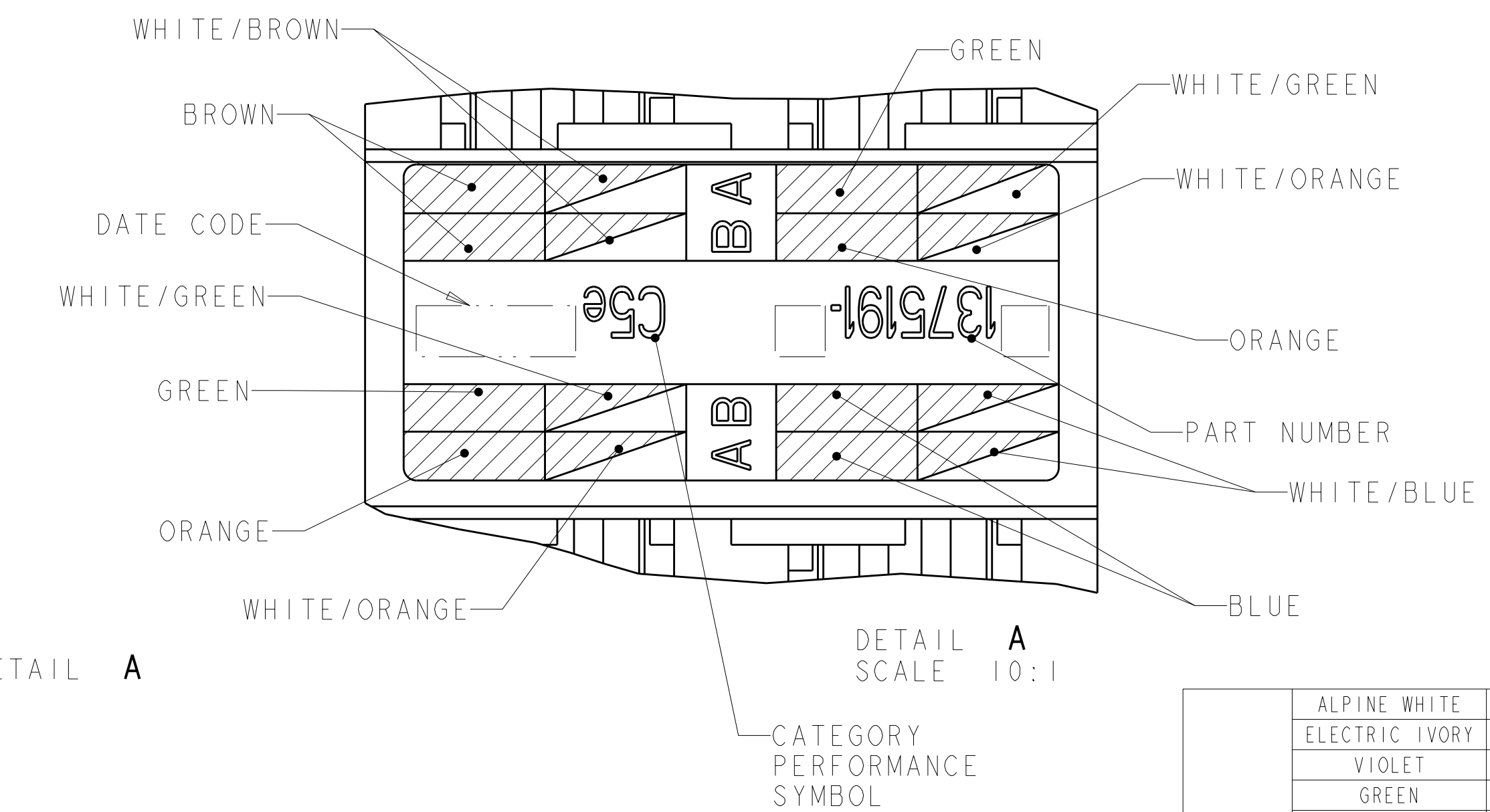
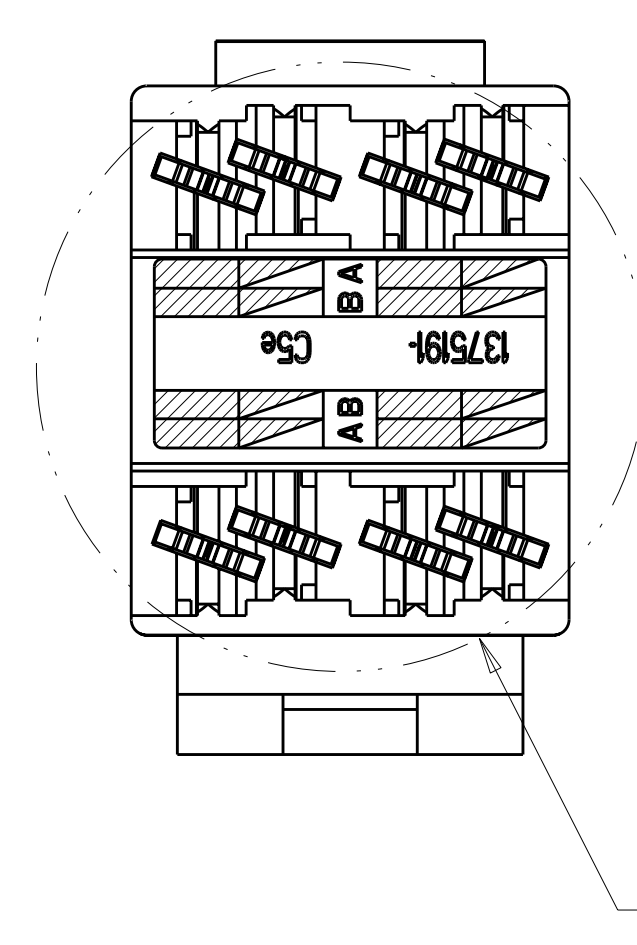
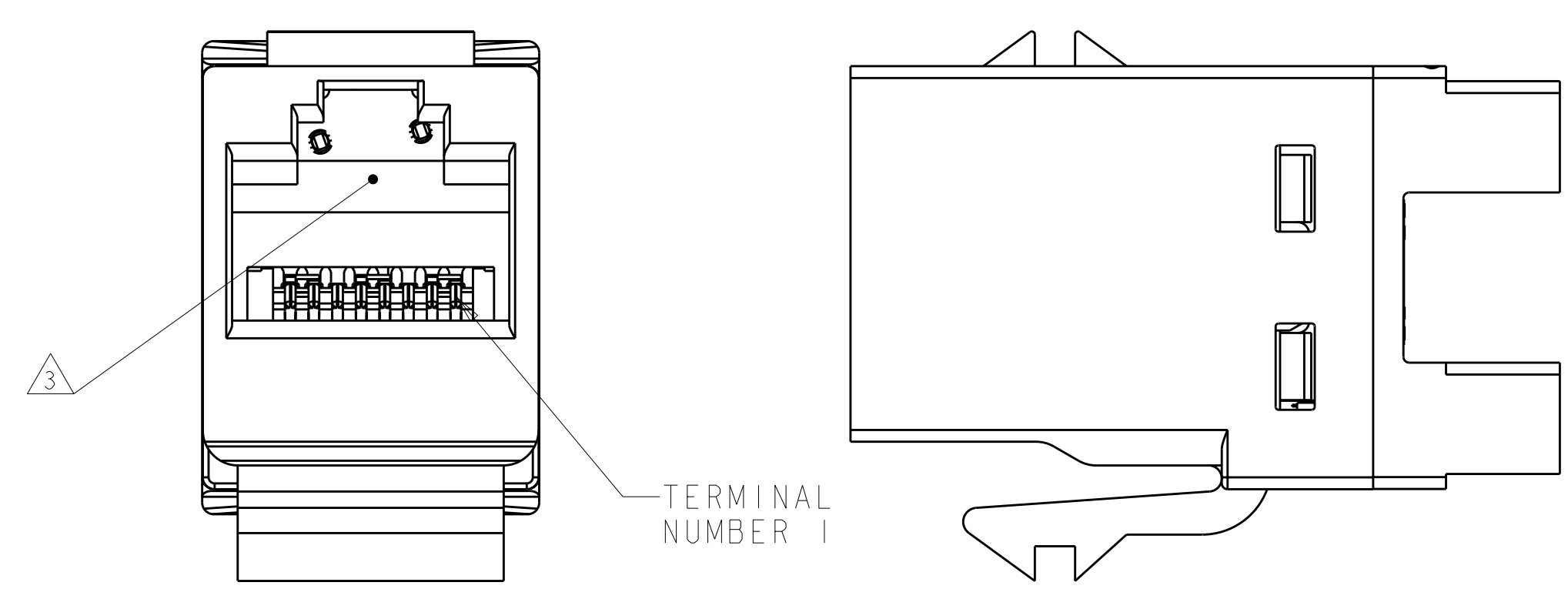


LOC	DIST	REV	DATE	BY	APPD
HM	00	J2	07 JUL 2011	GG	SA



- 1. MATERIAL: JACK HOUSING - POLYCARBONATE, 94V-0 RATED. 110 BLOCK AND STRAIN RELIEF- POLYCARBONATE. ARRAY TRAY - PBT POLYESTER. JACK CONTACTS ARRAY - BERYLLIUM COPPER, PLATED WITH 1.27µm [.000050] MINIMUM THICK GOLD IN LOCALIZED AREA AND 3.81µm [.000150] MINIMUM THICK MATTE TIN IN BOARD INTERFACE AREA OVER 1.27µm [.000050] MINIMUM THICK NICKEL UNDERPLATE. IDC TERMINALS - PHOSPHOROUS BRONZE, PLATED WITH 3.81µm [.00015] MINIMUM THICK MATTE TIN OVER 1.27µm [.00005] MINIMUM THICK NICKEL UNDERPLATE.
- 2. SL 110 JACK WILL TERMINATE 22-24 AWG SOLID AND 24-26 AWG STRANDED CONDUCTORS, 1.27[.050] MAXIMUM INSULATION DIAMETER. JACK WILL ACCEPT CONDUCTORS UP TO 1.45 [.057] BUT REQUIRE THE USE OF A STRAIN RELIEF.
- 3. CAVITY CONFORMS TO FCC RULES AND REGULATIONS PART 68 SUBPART F REQUIREMENTS.
- 4. MOUNTING PANEL THICKNESS 1.47 - 1.60 [.058 - .063].
- 5. THESE TWO SUGGESTED CUTOUT OPENINGS ARE USED IN TANDEM WITH DUAL FRONT AND BACK CUTOUTS.
- 6. ONE MODULAR JACK ASSEMBLY AND ONE STRAIN RELIEF PER POLYBAG.
- 7. USE OF STRAIN RELIEF IS OPTIONAL.
- 8. REFER TO 408-8858 FOR TERMINATION INSTRUCTIONS USING SL SERIES TOOL TERMINATION. REFER TO 408-8417 FOR TERMINATION INSTRUCTIONS USING 110 PUNCH DOWN TOOL.
- 9. TWENTY-FIVE MODULAR JACKS PER POLYBAG.

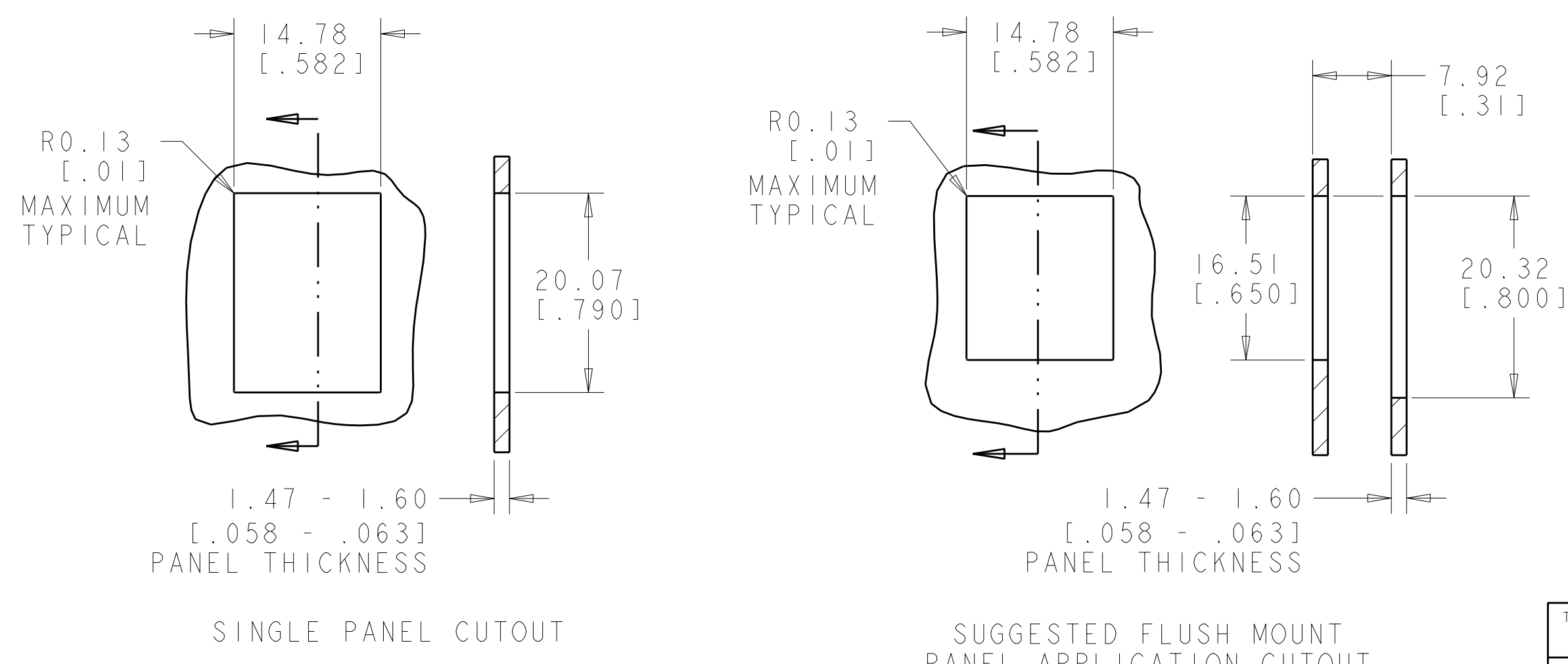


COLOR CODE	IDC TERMINAL	MODULAR JACK
WHITE/BLUE	5	5
BLUE	4	4
WHITE/ORANGE	3	3
ORANGE	6	6
WHITE/GREEN	1	1
GREEN	2	2
WHITE/BROWN	7	7
BROWN	8	8

ELECTRICAL SCHEMATIC T568A

COLOR CODE	IDC TERMINAL	MODULAR JACK
WHITE/BLUE	5	5
BLUE	4	4
WHITE/ORANGE	1	1
ORANGE	2	2
WHITE/GREEN	3	3
GREEN	6	6
WHITE/BROWN	7	7
BROWN	8	8

ELECTRICAL SCHEMATIC T568B



PACKAGE	HOUSING COLOR	PART NUMBER
3	ALPINE WHITE	3-1375191-3
3	ELECTRIC IVORY	3-1375191-1
3	VIOLET	3-1375191-0
2	GREEN	2-1375191-9
2	YELLOW	2-1375191-8
2	RED	2-1375191-7
2	BLUE	2-1375191-6
2	ORANGE	2-1375191-5
2	NEMA GRAY	2-1375191-4
2	WHITE	2-1375191-3
2	BLACK	2-1375191-2
2	LIGHT ALMOND	2-1375191-1
1	ALPINE WHITE	1-1375191-3
1	ELECTRIC IVORY	1-1375191-1
1	VIOLET	1-1375191-0
1	GREEN	1375191-9
1	YELLOW	1375191-8
1	RED	1375191-7
1	BLUE	1375191-6
1	ORANGE	1375191-5
1	NEMA GRAY	1375191-4
1	WHITE	1375191-3
1	BLACK	1375191-2
1	LIGHT ALMOND	1375191-1

THIS DRAWING IS A CONTROLLED DOCUMENT.

DATE: 05NOV01
 BY: T. PITTS
 CHK: L. SMITH
 APPD: C. DOOLEY

PRODUCT SPEC: 108-1990
 APPLICATION SPEC: 108-1990-2

SCALE: 4:1
 SHEET: 1 OF 1
 REV: J2

STE TE Connectivity
 ASSEMBLY, SL 110 JACK, CATEGORY 5e

SIZE: CAGE CODE: DRAWING NO: A100779C=1375191