

# TEK SERIES TEK300



- Single, Dual, Triple and Quad Outputs
- Universal Input
- Worldwide Agency Approvals
- Smaller than Comparable Models
- Stock to 6 Weeks Delivery
- 100% Burn-in/HiPot Tested

## Model TEK 300 300 Watt Switch Mode Power Supply

The compact TEK300 is offered in single, dual, triple and quad outputs, complete with short-circuit and overvoltage protection.

The universal input TEK300 series is designed for compliance with international safety and EMI standards and carrying the CE mark.

### Specifications

- **Input Specifications**  
*Input Voltage: 90-264VAC (auto-selectable)*  
*Input Frequency: 47-63 Hz*  
*Input Surge (cold start): 80A max.*
- **Key Features**  
*Short-Circuit Protection: Auto-recovery*  
*Overvoltage Protection: V1: 110-125%, programmable*  
*Auxiliary Outputs: 125%*  
*Overtemperature Protection*
- **Environmental**
  - **Operating**  
*Temperature: 0 to 50°C*  
*Relative Humidity: 8 to 90%, non-condensing*
  - **Storage**  
*Temperature: -20 to 85°C*  
*Relative Humidity: 5 to 95%, non-condensing*
- **Output Specifications**  
*Output Voltages: 2, 3.3, 5, 12, 15, 24, 48 VDC*  
*Adjustability: V1:±5%*  
*Output Current: see model table*

*Power Output: 200 W, convection cooling 300 W, forced air cooling*  
*Efficiency (@ max load): 70% min.*

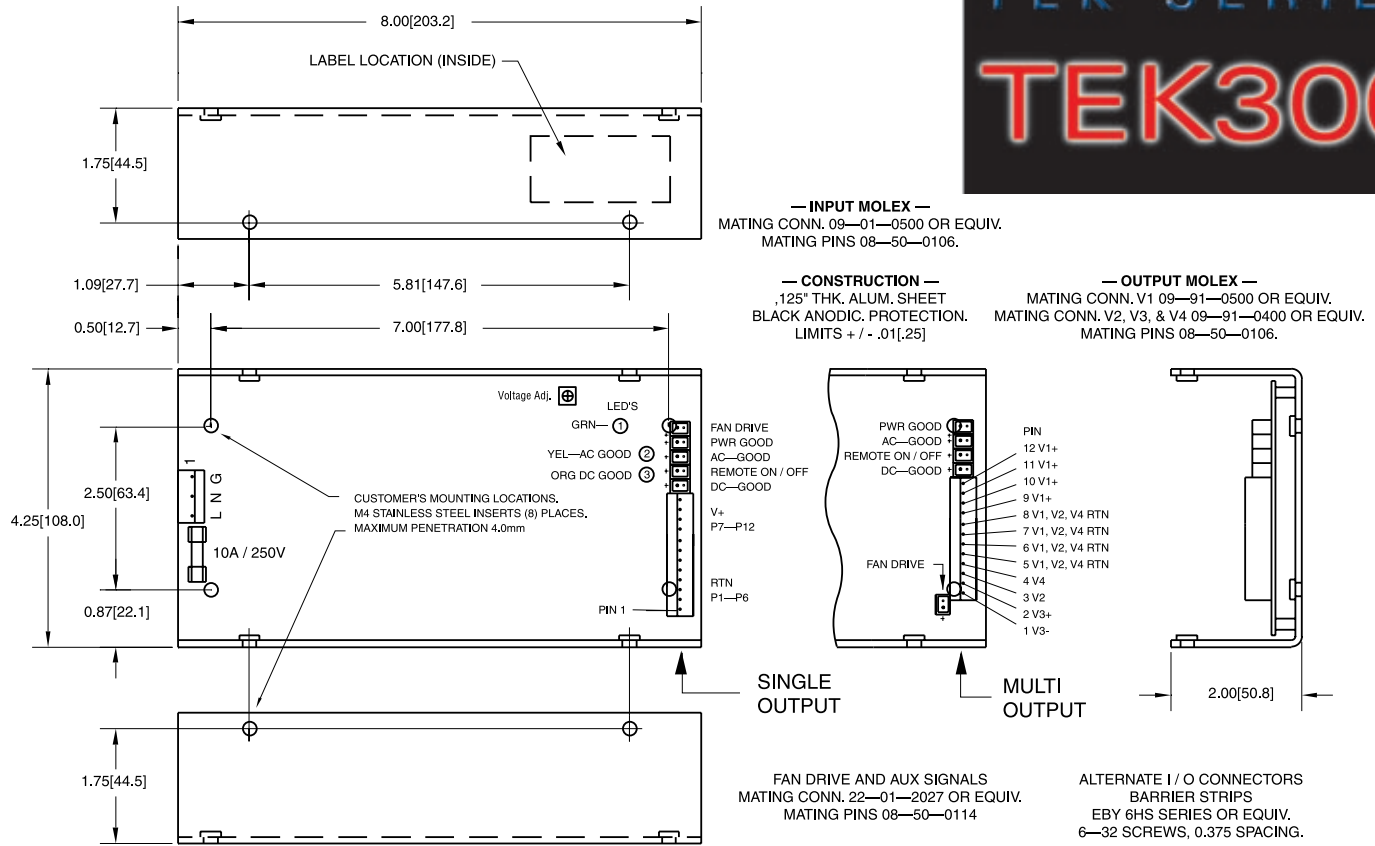
- **Total Regulation**  
*Single Output: ±1%*  
*Multiple Output:*  
*Main Output: ±3%*  
*Auxiliary Outputs: ±5%*  
*Temperature Coefficient: 0.1%/°C, max.*  
*Ripple and Noise: 1% p-p*  
*Overshoot (turn on/off): No overshoot*  
*Step Load Response: <1% for 20-100% change*  
*Turn-on Delay (120VAC): 1 sec, max.*  
*Hold-up Time (120VAC): 20 ms*

- **Design Standards**  
*Safety: UL, cUL, TUV, VDE, CE*  
*EMI: FCC Part 15 Class B*  
*VDE 0871 Class A*  
*EN55022*

- **Options**  
*Power Good Signal (programmable delayed power on reset)*  
*DC Good Signal (LED)*  
*AC Good Signal (LED)*  
*115/230 VAC Jumper/Selectable*



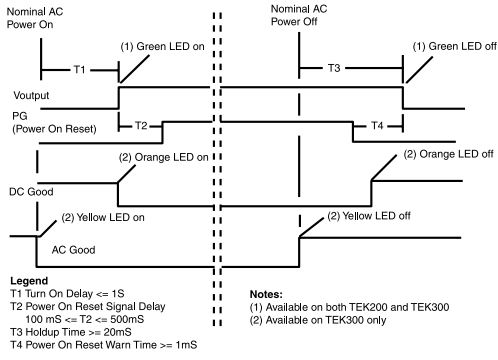
# TEK SERIES TEK300



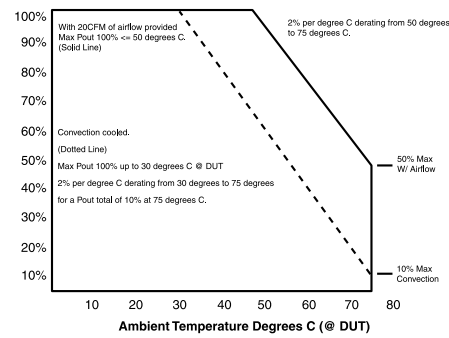
Model	Output V1		Output V4		Output V3 (Floating ±)		Output V2*	
	Voltage	Current	Voltage	Current	Voltage	Current	Voltage	Current
TEK300SA	3.3V	60A						
TEK300SB	5V	60A						
TEK300SC	12V	25A						
TEK300SC	15V	20A						
TEK300SD	24V	12.5A						
TEK300SE	48V	6.3A						
TEK300D12	5V	30A	12V	12A				
TEK300D13	5V	30A	15V	10A				
TEK300D14	5V	30A	24V	6.2A				
TEK300T16	5V	30A	12V	10A	12V	2A		
TEK300T17	5V	30A	15V	8A	15V	2A		
TEK300Q56	5V	30A	12V	10A	12V	2A	5V	2A
TEK300Q57	5V	30A	15V	7A	15V	2A	5V	2A
TEK300Q86	5V	30A	24V	5A	12V	2A	12V	2A

\* Factory configurable for (+) or (-) output

**TEK300 Timing Signal Diagram**



**TEK300 Power Derating Curve**



**Advance Tektris, Inc.**  
8130 La Mesa Blvd.  
La Mesa, CA 91941  
TEL: 619-593-5000  
FAX: 619-593-5014

Web: <http://www.advance-tektris.com>  
E-mail: [sales@advance-tektris.com](mailto:sales@advance-tektris.com)