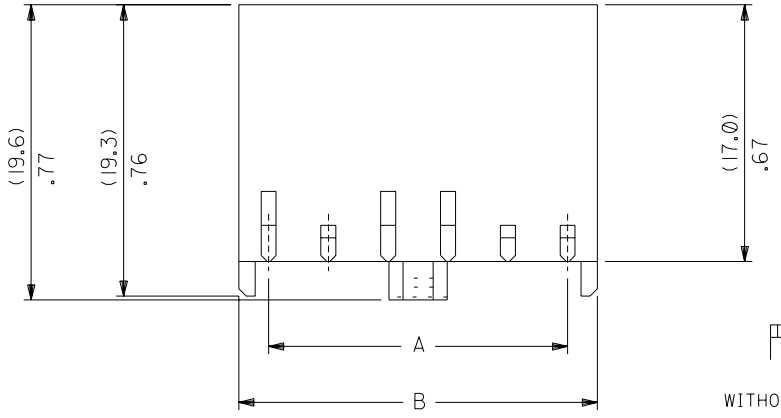


PART NO. SEE CHART  
 DWG. NO. SD-90331-001

PART NO.	KEYING RECD. AT CIRCUIT POSITIONS						DIM. A	DIM. B	MIDDLE LOCKING PEG	CKT. SIZE
	1	2	3	4	5	6				
90331-**01	YES	YES	YES	YES	YES	YES	19.81±0.13	23.67±0.13	YES	6
90331-**02	YES	NO	NO	NO	NO	NO	19.81±0.13	23.67±0.13	YES	6
90331-**03	NO	NO	NO	YES	NO	NO	19.81±0.13	23.67±0.13	YES	6
90331-**04	YES	NO	YES	YES	NO	NO	19.81±0.13	23.67±0.13	YES	6
90331-**05	YES	YES	—	—	—	—	3.96±0.10	7.82±0.10	NO	2
90331-**06	NO	NO	NO	NO	NO	NO	19.81±0.13	23.67±0.13	NO	6
90331-**07	NO	YES	NO	NO	NO	NO	19.81±0.13	23.67±0.13	YES	6
90331-**08	NO	NO	YES	NO	NO	NO	19.81±0.13	23.67±0.13	YES	6
90331-**09	NO	NO	NO	NO	YES	NO	19.81±0.13	23.67±0.13	YES	6
90331-**10	NO	NO	NO	NO	NO	YES	19.81±0.13	23.67±0.13	YES	6

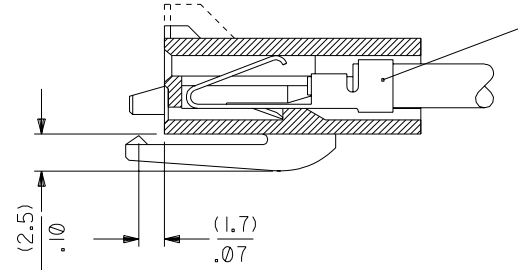
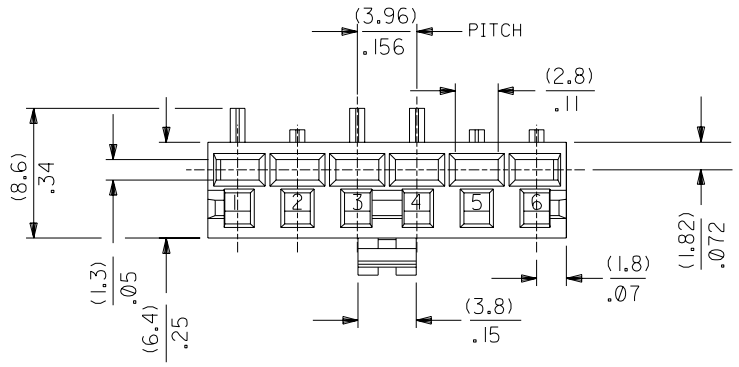


**LEGEND :**

90331- \* \* 0 \*

COLOUR — 0=NATURAL  
 1=BLACK (AVAILABLE IN NYLON ONLY)

MATERIAL — 0=POLYESTER 94 V0-NATURAL(WHITE)  
 1=NYLON 6/6 UL 94 V0-NATURAL(WHITE) OR BLACK  
 4=NYLON 6/6 UL 94 V2-NATURAL OR BLACK



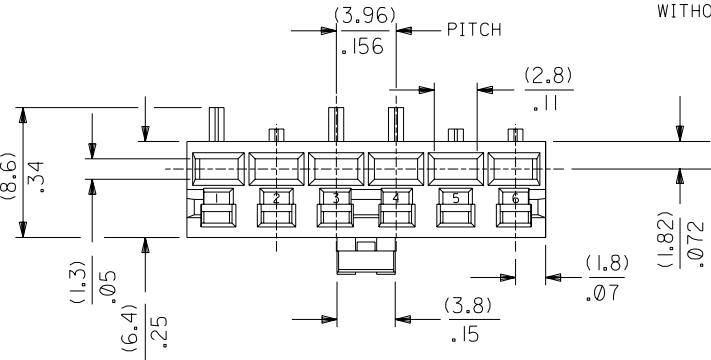
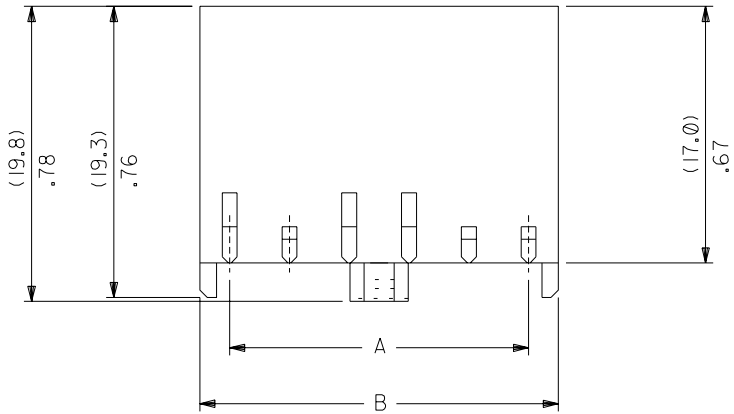
PART NO. 08-50-0277  
 MATERIAL: PRE-TIN BRASS  
 PLATING TO P902 CODE PER ES-88  
 SPECIFICATION.

**NOTES :**

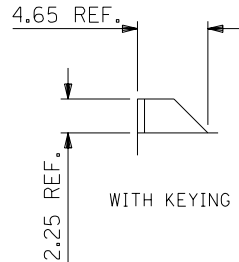
- HOUSING MATERIAL: SEE LEGEND. NYLON OPTIONS ARE FOR TAIWAN PRODUCTION ONLY.
- FOR USE WITH 8993 SERIES TERMINAL.
- KEY IS OPTIONAL. PLS SEE TABLE FOR P/N.
- FOR ILLUSTRATION PURPOSE, 90331-004 IS SHOWN
- PRODUCT SPECIFICATION: PS-90331

CHANGED PLATING CODES EC NO. E2004-0036 DRWN: PSHEAHAN 03/07/14 CHK: APPR:	QUALITY SYMBOLS MAJOR $\blacktriangledown$ = 0 CRITICAL $\nabla$ = 0	GENERAL TOLERANCES: (UNLESS SPECIFIED)		SCALE 3:1	DESIGN UNITS <input checked="" type="checkbox"/> mm <input type="checkbox"/> INCH	THIRD ANGLE PROJECTION <input checked="" type="checkbox"/> mm <input type="checkbox"/> INCH <input type="checkbox"/> mm ONLY	DIMENSIONS: <input checked="" type="checkbox"/> mm <input type="checkbox"/> INCH <input type="checkbox"/> mm ONLY	SHT 2 REV V
		4 PLACES ±0.	mm ±.005 INCH ±.010	DRAWN BY & DATE CD 9/12/18	TITLE: HOUSING 3.96 PITCH CORING OPTION 1 FOR USE W/ 8993 TERMINAL			
		3 PLACES ±0.	mm ±.010 INCH ±.010	CHECKED BY & DATE	MOLEX INCORPORATED			
		2 PLACES ±0.13 1 PLACE ±0.25	mm ±. INCH ±.	APPROVED BY & DATE	CAD FILENAME S90331EX1.DGN	MATERIAL NO. SEE CHART	DRAWING NO. SD-90331-001	SHEET NO. IOF2
REV V	DESCRIPTION	ANGULAR: ± 1/2°	DRAFT WHERE APPLICABLE MUST REMAIN WITHIN DIMENSIONS				THIS DRAWING CONTAINS INFORMATION THAT IS PROPRIETARY TO MOLEX INCORPORATED AND SHOULD NOT BE USED WITHOUT WRITTEN PERMISSION.	

PART NO. SEE CHART  
 DWG. NO. SD-90331-001



WITHOUT KEYING



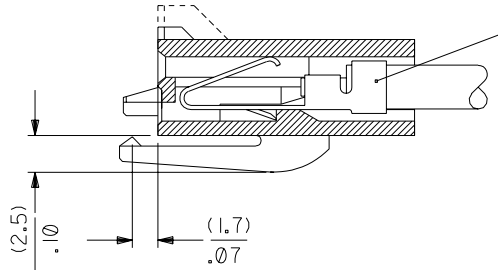
**LEGEND :**

90331- \* \* 0 \*

COLOUR — 0=NATURAL  
 1=BLACK (AVAILABLE IN NYLON ONLY)

MATERIAL— 0=POLYESTER 94 V0-NATURAL(WHITE)  
 1=NYLON 6/6 UL 94 V0-NATURAL(WHITE) OR BLACK  
 4=NYLON 6/6 UL 94 V2-NATURAL OR BLACK

PART NO.	KEYING REQD. AT CIRCUIT POSITIONS						DIM. A	DIM. B	MIDDLE LOCKING PEG	CKT. SIZE
	1	2	3	4	5	6				
90331-**01	YES	YES	YES	YES	YES	YES	19.81±0.13	23.67±0.13	YES	6
90331-**02	YES	NO	NO	NO	NO	NO	19.81±0.13	23.67±0.13	YES	6
90331-**03	NO	NO	NO	YES	NO	NO	19.81±0.13	23.67±0.13	YES	6
90331-**04	YES	NO	YES	YES	NO	NO	19.81±0.13	23.67±0.13	YES	6
90331-**05	YES	YES	—	—	—	—	3.96±0.10	7.82±0.10	NO	2
90331-**06	NO	NO	NO	NO	NO	NO	19.81±0.13	23.67±0.13	NO	6
90331-**07	NO	YES	NO	NO	NO	NO	19.81±0.13	23.67±0.13	YES	6
90331-**08	NO	NO	YES	NO	NO	NO	19.81±0.13	23.67±0.13	YES	6
90331-**09	NO	NO	NO	NO	YES	NO	19.81±0.13	23.67±0.13	YES	6
90331-**10	NO	NO	NO	NO	NO	YES	19.81±0.13	23.67±0.13	YES	6



PART NO. 08-50-0277  
 MATERIAL: PRE-TIN BRASS  
 PLATING TO P902 CODE PER ES-88 SPECIFICATION.

- NOTES :**
- HOUSING MATERIAL: SEE LEGEND. NYLON OPTIONS ARE FOR TAIWAN PRODUCTION ONLY.
  - FOR USE WITH 8993 SERIES TERMINAL.
  - KEY IS OPTIONAL. PLS SEE TABLE FOR P/N.
  - FOR ILLUSTRATION PURPOSE, 90331-\*\*04 IS SHOWN
  - PRODUCT SPECIFICATION: PS-90331

CHANGED PLATING CODES EC NO. E2004-0036 DRWN: PSHEAHAN 03/07/14 CHK: / / / APPR: / / /	QUALITY SYMBOLS	GENERAL TOLERANCES: (UNLESS SPECIFIED)		SCALE	DESIGN UNITS <input checked="" type="checkbox"/> mm <input type="checkbox"/> INCH	THIRD ANGLE PROJECTION <input checked="" type="checkbox"/> mm <input type="checkbox"/> INCH	SHT	REV
	MAJOR = 0 CRITICAL = 0	mm	INCH	DRAWN BY & DATE FM 94/02/21	TITLE: HOUSING 3.96 PITCH CORING OPTION 2, FOR USE W/ 8993 SERIES TERMINAL			
DESCRIPTION	4 PLACES ±0. ±.	3 PLACES ±0. ±.005	2 PLACES ±0.13 ±.010	CHECKED BY & DATE	MOLEX INCORPORATED			
REV	1 PLACE ±0.25 ±.	ANGULAR: ± °		APPROVED BY & DATE	CAD FILENAME S90331EX2.DGN	MATERIAL NO. SEE CHART	DRAWING NO. SD-90331-001	SHEET NO. 2 OF 2
DRAFT WHERE APPLICABLE MUST REMAIN WITHIN DIMENSIONS				THIS DRAWING CONTAINS INFORMATION THAT IS PROPRIETARY TO MOLEX INCORPORATED AND SHOULD NOT BE USED WITHOUT WRITTEN PERMISSION.				