

iC-PD3948

5-CH. PHASED ARRAY SINE ENCODER (39-2048)

preliminary



Rev B5, Page 1/10

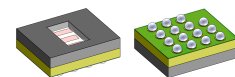
FEATURES

- Compact encoder sensor with differential scanning and sine outputs
- Phased-array design for excellent signal matching
- Reduced cross talk due to moderate track pitch
- Ultra low dark currents for operation to high temperature
- Low noise amplifiers with high transimpedance of typ. $4\text{ M}\Omega$
- Short-circuit-proof, low impedance voltage outputs for enhanced EMI tolerance
- Space saving QFN and optoBGA packages (RoHS compliant)
- Low power consumption from single 4.5 to 5.5 V supply
- Operational temperature range of -40 to $+110^\circ\text{C}$
- Suitable code disc:
 - PD2S 39-2048 (glass 1 mm)
 - OD $\varnothing 39$ mm, ID $\varnothing 18.0$ mm, optical radius 17.5 mm

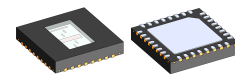
APPLICATIONS

- Incremental sine encoders with commutation information
- Motor feedback encoder
- AC and BLDC motor systems

PACKAGES

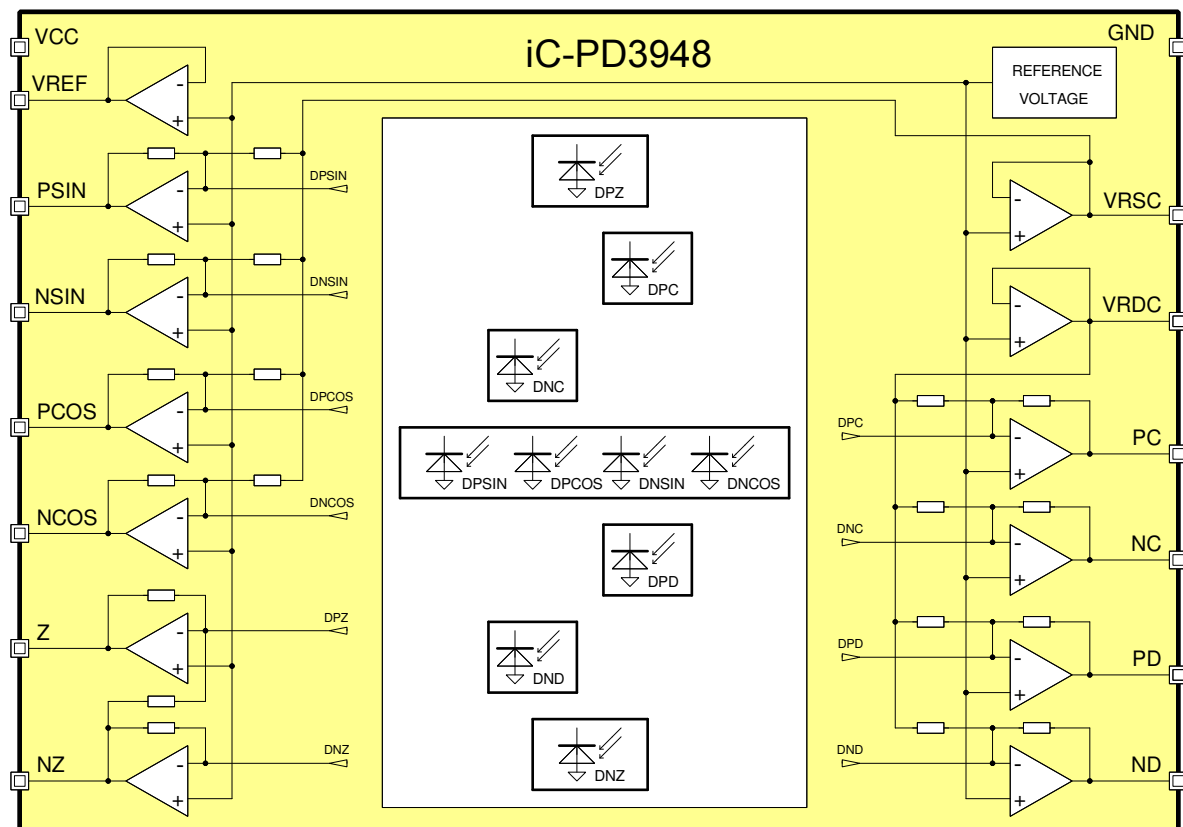


15-pin optoBGA
6.2 mm x 5.2 mm x 1.7 mm



32-pin optoQFN
5 mm x 5 mm x 0.9 mm

BLOCK DIAGRAM



iC-PD3948

5-CH. PHASED ARRAY SINE ENCODER (39-2048)

preliminary



Rev B5, Page 2/10

DESCRIPTION

iC-PD3948 is an optical sensor IC with integrated photodiodes whose signal currents are converted into output voltages by low-noise transimpedance amplifiers.

Due to a high transimpedance gain of typically $4\text{ M}\Omega$, output signal voltages of several hundred Millivolts are obtained at illumination levels of just 1 to 3 mW/cm^2 . In most cases complicated noise suppression measures are thus rendered unnecessary.

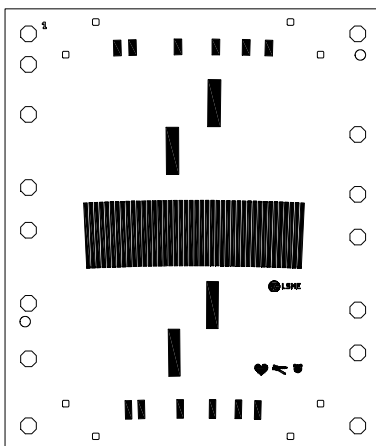
As the pin names would suggest, iC-PD3948 is typically applied as a sine encoder for motor feedback systems. To this end, iC-PD3948 provides sine and cosine signals with both a high resolution of 2048 PPR (plus an additional index signal) and a low resolution of 1 PPR (at C/D).

All code disc signal tracks are evaluated differentially; the high resolution sine signals are read by photodiodes in a phased array. The layout of the signal amplifiers is such that there is good paired channel matching, reducing the time and effort required for calibration to an absolute minimum.

The spectral sensitivity ranges from visible to near infrared light, with the maximum sensitivity close to a wavelength of 680 nm. An output voltage of 1 V is typical in low light conditions, for instance when iC-PD is illuminated at only 2 mW/cm^2 by a 740 nm LED. A relatively low LED current is enough to operate the sensor, proving beneficial to the life expectancy of the LED at high operating temperatures.

PACKAGES AND CHIP LAYOUT INFORMATION

PAD LAYOUT (2.88 mm x 3.37 mm)



PAD FUNCTIONS

No.	Name	Function
1	VCC	+4.5...5.5 V Supply Voltage
2	VREF	Reference Voltage Output
3	PSIN	Sine Track +
4	NSIN	Sine Track -
5	PCOS	Cosine Track +
6	NCOS	Cosine Track -
7	Z	Z Index Signal
8	NZ	Z Index Track -
9	ND	D Track -
10	PD	D Track +
11	NC	C Track -
12	PC	C Track +
13	VRDC	D/C Track Reference
14	VRSC	S/C Track Reference
15	GND	Ground

Notes: All outputs are analog voltage outputs.

iC-PD3948

5-CH. PHASED ARRAY SINE ENCODER (39-2048)

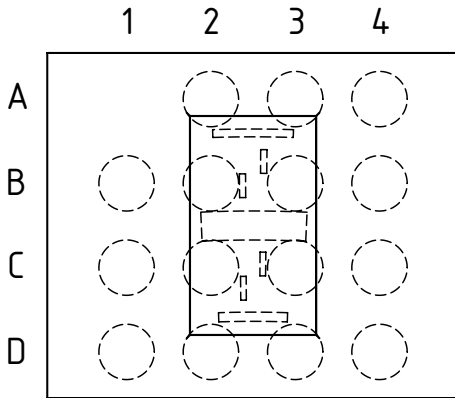
preliminary



Rev B5, Page 3/10

PIN CONFIGURATION

oBGA LSH2C (6.2 mm x 5.2 mm)



dra_lsh2c-pdxx_pack_2, 8:1

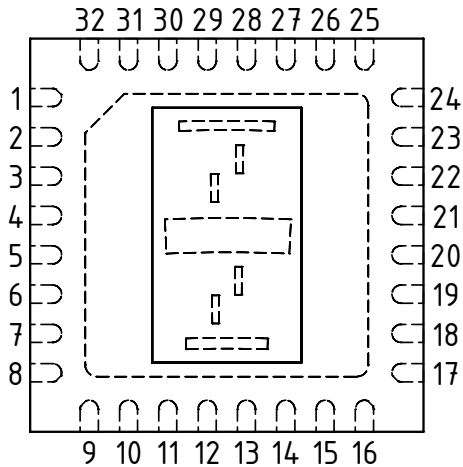
PIN FUNCTIONS

No. Name Function

A2	VCC	+4.5...5.5 V Supply Voltage
A3	VREF	Reference Voltage Output
A4	GND	Ground
B1	PSIN	Sine Track +
B2	NSIN	Sine Track -
B3	VRDC	D/C Track Reference
B4	VRSC	S/C Track Reference
C1	PCOS	Cosine Track +
C2	NCOS	Cosine Track -
C3	NC	C Track -
C4	PC	C Track +
D1	Z	Z Index Signal
D2	NZ	Z Index Track -
D3	ND	D Track -
D4	PD	D Track +

PIN CONFIGURATION

oQFN32-5x5 (5 mm x 5 mm)



PIN FUNCTIONS

No. Name Function

1	VCC	+4.5...5.5 V Supply Voltage
2	VREF	Reference Voltage Output
3	PSIN	Sine Track +
4	NSIN	Sine Track -
5	PCOS	Cosine Track +
6	NCOS	Cosine Track -
7	Z	Z Index Signal
8	NZ	Z Index Track -
17	ND	D Track -
18	PD	D Track +
19	NC	C Track -
20	PC	C Track +
21	VRDC	D/C Track Reference
22	VRSC	S/C Track Reference
23	n.c.	
24	GND	Ground
BP		Backside pad

Pin numbers marked n.c. are not in use. The backside paddle is not intended as an electrical connection point; when used as shield a single link to GND is permissible.

iC-PD3948

5-CH. PHASED ARRAY SINE ENCODER (39-2048)

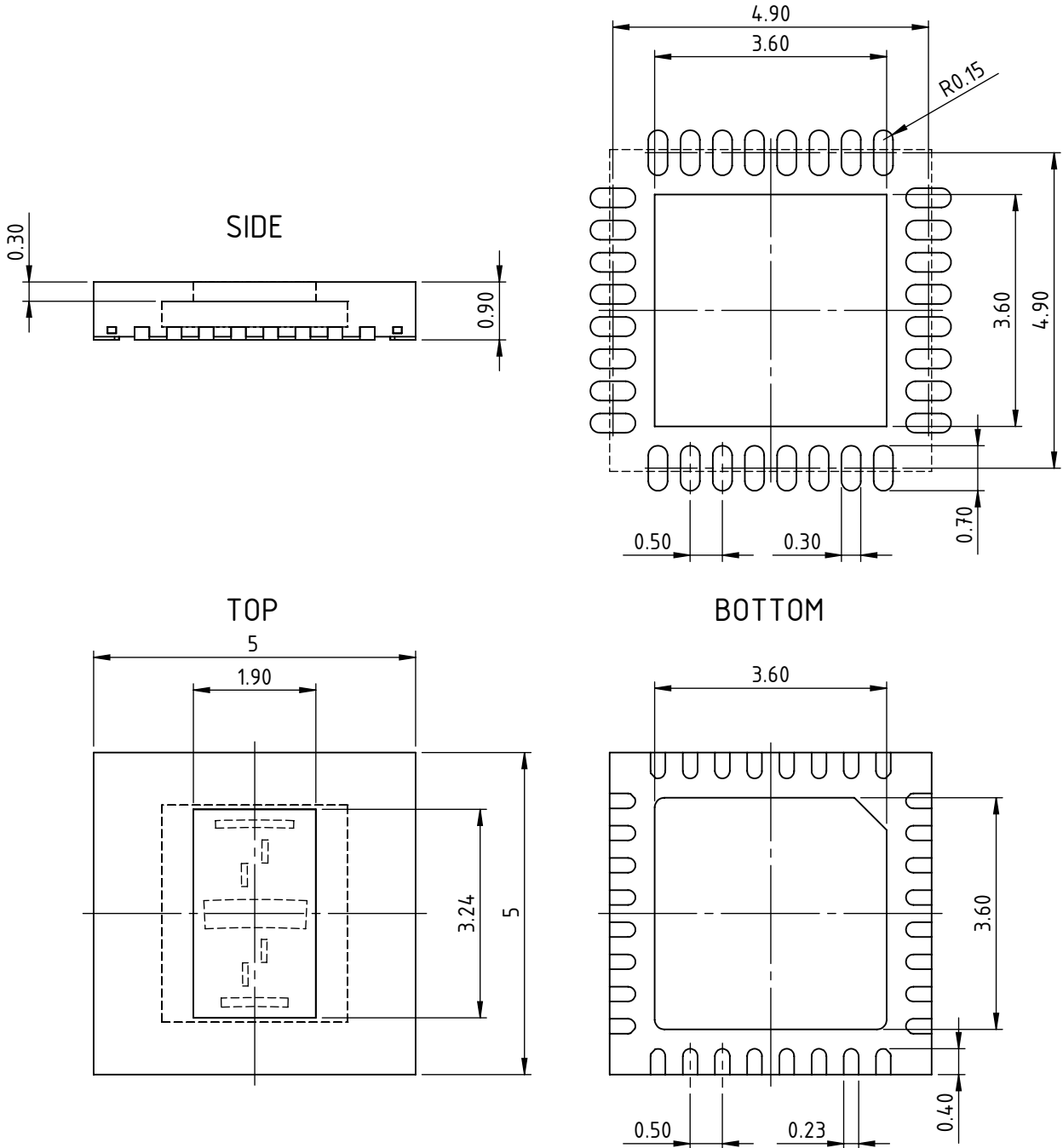
preliminary



Rev B5, Page 4/10

PACKAGE DIMENSIONS

RECOMMENDED PCB-FOOTPRINT



dra_pdx-qfn32-2_pack_1, 10:1

Maximum molding excess +20 μm / -200 μm versus surface of glass.
All dimensions given in mm.

iC-PD3948

5-CH. PHASED ARRAY SINE ENCODER (39-2048)

preliminary



Rev B5, Page 5/10

ABSOLUTE MAXIMUM RATINGS

These ratings do not imply operating conditions; functional operation is not guaranteed. Beyond these ratings device damage may occur.

Item No.	Symbol	Parameter	Conditions	Min. Max.		Unit
				Min.	Max.	
G001	VCC	Voltage at VCC		-0.3	6	V
G002	I(VCC)	Current in VCC		-20	20	mA
G003	V()	Pin Voltage, all signal outputs		-0.3	VCC + 0.3	V
G004	I()	Pin Current, all signal outputs		-20	20	mA
G005	Vd()	ESD Susceptibility, all pins	HBM, 100 pF discharged through 1.5 kΩ		2	kV
G006	Tj	Junction Temperature		-40	150	°C
G007	Ts	Chip Storage Temperature		-40	150	°C

THERMAL DATA

Item No.	Symbol	Parameter	Conditions	Min. Typ. Max.			Unit
				Min.	Typ.	Max.	
T01	Ta	Operating Ambient Temperature Range	package oBGA LSH2C	-40		110	°C
			package oQFN32-5x5*	-40		110	°C
			(extended temperature range on request)				
T02	Ts	Storage Temperature Range	package oBGA LSH2C, package oQFN32-5x5*	-40		110	°C
T03	Tpk	Soldering Peak Temperature	package oBGA LSH2C			245	°C
			tpk < 20 s, convection reflow tpk < 20 s, vapor phase soldering			230	°C
			TOL (time on label) 8 h; Please refer to customer information file No. 7 for details.				
T04	Tpk	Soldering Peak Temperature	package oQFN32-5x5*			245	°C
			tpk < 20 s, convection reflow tpk < 20 s, vapor phase soldering			230	°C
			MSL 5A (max. floor live 24 h at 30 °C and 60 % RH); Please refer to customer information file No. 7 for details.				

*) Package qualification pending.

All voltages are referenced to ground unless otherwise stated.

All currents flowing into the device pins are positive; all currents flowing out of the device pins are negative.

iC-PD3948

5-CH. PHASED ARRAY SINE ENCODER (39-2048)

preliminary



Rev B5, Page 6/10

ELECTRICAL CHARACTERISTICS

Operating conditions: VCC = 4.5...5.5 V, Tj = -40...125 °C, unless otherwise stated

Item No.	Symbol	Parameter	Conditions				Unit
				Min.	Typ.	Max.	
Total Device							
001	VCC	Permissible Supply Voltage		4.5		5.5	V
002	I(VCC)	Supply Current	no load, photocurrents within op. range		12	16	mA
003	Vc()hi	Clamp-Voltage hi at all pins	I() = 4 mA			11	V
004	Vc()lo	Clamp-Voltage lo at all pins	I() = -4 mA	-1.2		-0.3	V
Photosensors							
101	λ_{ar}	Spectral Application Range	$Se(\lambda_{ar}) = 0.25 \times S(\lambda)_{max}$	400		950	nm
102	λ_{pk}	Peak Sensitivity Wavelength			680		nm
103	Aph()	Radiant Sensitive Area	DPSIN, DNSIN, DPCOS, DNCOS DPC, DNC, DPD, DND DPZ, DNZ		0.075 0.033 0.042		mm ² mm ² mm ²
104	S(λ)	Spectral Sensitivity	$\lambda_{LED} = 740$ nm		0.5		A/W
105	S(λ_{pk})max	Maximum Spectral Sensitivity	$\lambda_{LED} = \lambda_{pk}$		0.55		A/W
106	E()mx	Irradiance For Maximum Signal Level	$\lambda_{LED} = 740$ nm, Vout() not saturated DPSIN, DNSIN, DPCOS, DNCOS DPC, DNC, DPD, DND DPZ, DNZ	1.2 3.0 2.8	2.0 4.5 4.2	3.2 6.5 6.0	mW/ cm ² mW/ cm ² mW/ cm ²
Photocurrent Amplifiers							
201	Iph()	Permissible Photocurrent Operating Range		0		280	nA
202	$\eta()$ r	Photo Sensitivity (light-to-voltage conversion ratio)	$\lambda_{LED} = 740$ nm	0.8	1.2	2.0	V/ μ W
203	Z()	Equivalent Transimpedance Gain	$Z = Vout() / Iph()$	2.69	4.0	5.46	M Ω
204	TCz	Temperature Coefficient of Transimpedance Gain			-0.12		%/°C
209	$\Delta Z()$ pn	Transimpedance Gain Matching Of Paired Amplifiers	P.. channel vs. corresponding N.. channel	-0.2		0.2	%
210	$\Delta Vout()$ pn	Signal Matching	no illumination, any output to any output	-35		35	mV
211	$\Delta Vout()$ pn	Signal Matching	no illumination, P vs. N path per diff. channel	-2.5		2.5	mV
212	fc()hi	Cut-off Frequency (-3 dB)		120	180	280	kHz
213	VNoise()	RMS Output Noise	illuminated to 500 mV signal level above dark level, 500 kHz band width		0.5		mV
Signal Outputs							
301	Vout()mx	Permissible Maximum Output Voltage	illumination to E()mxr, linear gain	2.45	2.72	3.02	V
302	Vout()d	Dark Signal Level	no illumination, load 20 k Ω vs. +2 V	600	770	1000	mV
303	Vout()acmx	Maximum Signal Level	$Vout()acmx = Vout()mx - Vout()d$	1.48	1.96	2.35	V
304	Isc()hi	Short-Circuit Current hi	load current to ground	100	420	800	μ A
305	Isc()lo	Short-Circuit Current lo	load current to IC	250	480	700	μ A
306	Ri()	Internal Output Resistance	f = 1 kHz	70	110	180	Ω
Signal References VRSC, VRDC							
401	Vout()	Reference Voltage		600	770	1000	mV
402	Isc()hi	Short-Circuit Current hi	current to ground	100	420	800	μ A
403	Isc()lo	Short-Circuit Current lo	current to IC	250	480	700	μ A
404	Ri()	Internal Output Resistance		70	110	180	Ω

iC-PD3948

5-CH. PHASED ARRAY SINE ENCODER (39-2048)

preliminary



Rev B5, Page 7/10

ELECTRICAL CHARACTERISTICS

Operating conditions: VCC = 4.5...5.5 V, Tj = -40..125 °C, unless otherwise stated

Item No.	Symbol	Parameter	Conditions				Unit
				Min.	Typ.	Max.	
Reference Voltages VREF							
501	Vout()	Reference Voltage	I(VREF) = 0...+1.6 mA	600	770	1000	mV
502	dVout()	Load Balancing	I(VREF) = 0...+1.6 mA	-10		+10	mV
503	Isc()hi	Short-Circuit Current hi	current to ground	200	420	800	μA
504	Isc()lo	Short-Circuit Current lo	current to IC	2	4.5	10	mA

iC-PD3948

5-CH. PHASED ARRAY SINE ENCODER (39-2048)

preliminary



Rev B5, Page 8/10

APPLICATION CIRCUITS

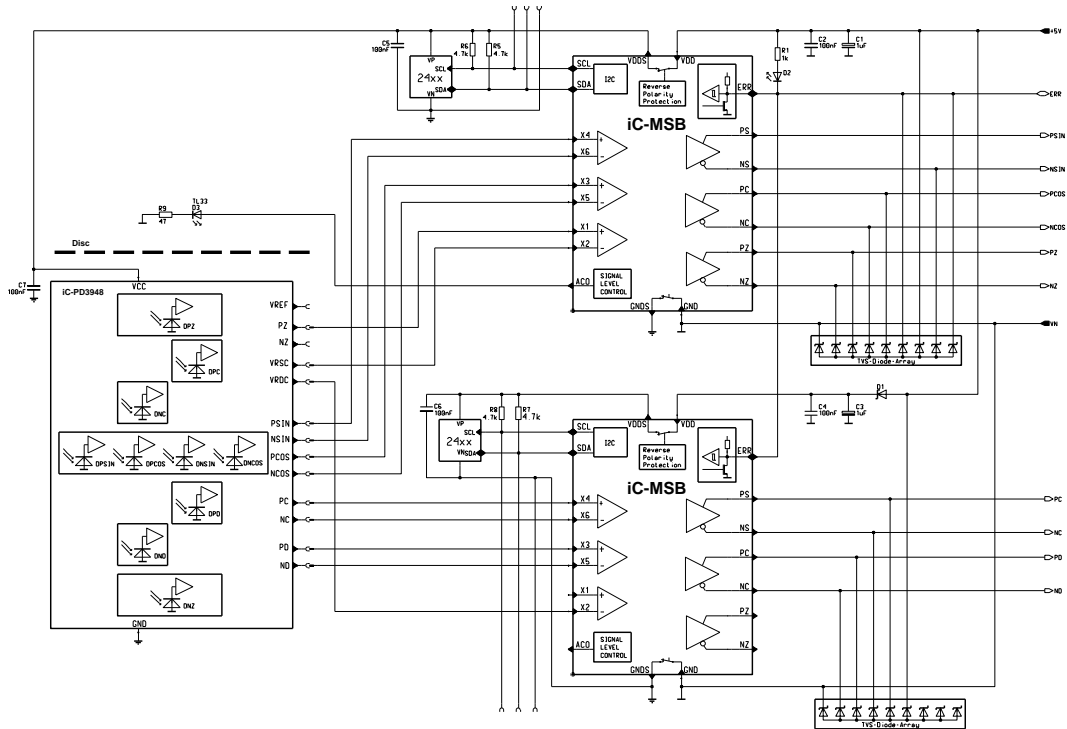


Figure 1: Application example motor feedback encoder

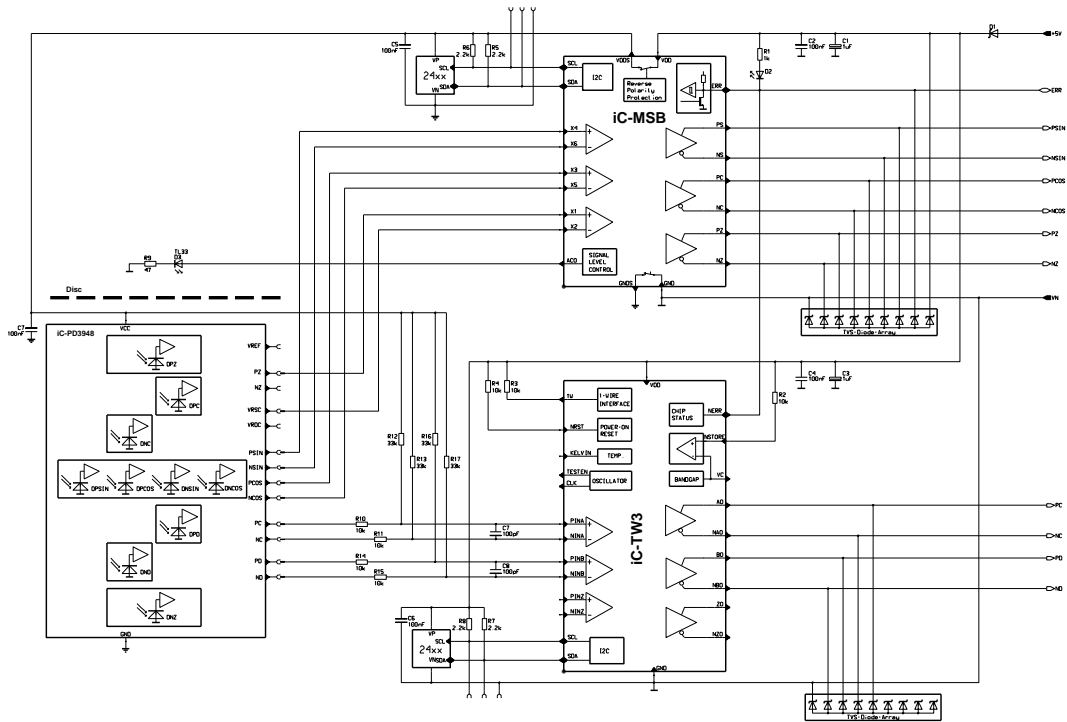


Figure 2: Application example motor feedback encoder

iC-PD3948

5-CH. PHASED ARRAY SINE ENCODER (39-2048)

preliminary



Rev B5, Page 9/10

iC-Haus expressly reserves the right to change its products and/or specifications. An info letter gives details as to any amendments and additions made to the relevant current specifications on our internet website www.ichaus.de/infoletter; this letter is generated automatically and shall be sent to registered users by email.

Copying – even as an excerpt – is only permitted with iC-Haus' approval in writing and precise reference to source.

iC-Haus does not warrant the accuracy, completeness or timeliness of the specification and does not assume liability for any errors or omissions in these materials.

The data specified is intended solely for the purpose of product description. No representations or warranties, either express or implied, of merchantability, fitness for a particular purpose or of any other nature are made hereunder with respect to information/specification or the products to which information refers and no guarantee with respect to compliance to the intended use is given. In particular, this also applies to the stated possible applications or areas of applications of the product.

iC-Haus conveys no patent, copyright, mask work right or other trade mark right to this product. iC-Haus assumes no liability for any patent and/or other trade mark rights of a third party resulting from processing or handling of the product and/or any other use of the product.

As a general rule our developments, IPs, principle circuitry and range of Integrated Circuits are suitable and specifically designed for appropriate use in technical applications, such as in devices, systems and any kind of technical equipment, in so far as they do not infringe existing patent rights. In principle the range of use is limitless in a technical sense and refers to the products listed in the inventory of goods compiled for the 2008 and following export trade statistics issued annually by the Bureau of Statistics in Wiesbaden, for example, or to any product in the product catalogue published for the 2007 and following exhibitions in Hanover (Hannover-Messe).

We understand suitable application of our published designs to be state-of-the-art technology which can no longer be classed as inventive under the stipulations of patent law. Our explicit application notes are to be treated only as mere examples of the many possible and extremely advantageous uses our products can be put to.

iC-PD3948

5-CH. PHASED ARRAY SINE ENCODER (39-2048)

preliminary



Rev B5, Page 10/10

ORDERING INFORMATION

Type	Package	Options	Order Designation
iC-PD3948	-		iC-PD3948 chip
	15-pin optoBGA, 6.2 mm x 5.2 mm, thickness 1.7 mm		iC-PD3948 oBGA LSH2C
	32-pin optoQFN, 5 mm x 5 mm, thickness 0.9 mm		iC-PD3948 oQFN32-5x5
		Suitable code disc	
		2048 PPR with 1 PPR OD \varnothing 39 mm, ID \varnothing 18.0 mm, optical radius 17.5 mm (glass 1 mm)	PD2S 39-2048

For technical support, information about prices and terms of delivery please contact:

iC-Haus GmbH
Am Kuemmerling 18
D-55294 Bodenheim
GERMANY

Tel.: +49 (61 35) 92 92-0
Fax: +49 (61 35) 92 92-192
Web: <http://www.ichaus.com>
E-Mail: sales@ichaus.com

Appointed local distributors: http://www.ichaus.com/sales_partners