

**PLEASE CHECK WWW.MOLEX.COM FOR LATEST PART INFORMATION**

**Part Number:** [0945504003](#)  
**Status:** **Active**  
**Overview:** [rast 5 connector system](#)  
**Description:** 5.00mm (.197") Pitch, Rast 5, PA Polyamide (Nylon) 6/6, UL 94V-2, 3 Circuits, Natural, Glow Wire Compatible

**Documents:**

[3D Model](#) [Product Specification PS-94550-001 \(PDF\)](#)  
[Drawing \(PDF\)](#) [RoHS Certificate of Compliance \(PDF\)](#)

**General**

Product Family Crimp Housings  
 Series [94550](#)  
 Overview [rast 5 connector system](#)  
 Product Name RAST 5

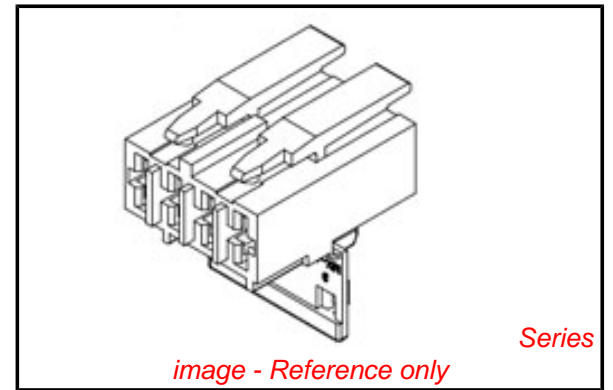
**Physical**

Breakaway No  
 Circuits (maximum) 3  
 Color - Resin Natural  
 Gender Female  
 Glow-Wire Compliant Yes  
 Lock to Mating Part Yes  
 Material - Resin Nylon  
 Number of Rows 1  
 Packaging Type Bag  
 Panel Mount No  
 Pitch - Mating Interface (in) 0.197 In  
 Pitch - Mating Interface (mm) 5.00 mm  
 Pitch - Term. Interface (in) 0.197 In  
 Pitch - Term. Interface (mm) 5.00 mm  
 Polarized to Mating Part Yes  
 Ports 1  
 Stackable No  
 Temperature Range - Operating -40°C to +85°C

**Material Info**

**Reference - Drawing Numbers**

Product Specification PS-94550-001  
 Sales Drawing SD-94550-007  
 Test Summary TS-94550-001



**EU RoHS**

**ELV and RoHS  
 Compliant**  
**REACH SVHC  
 Not Reviewed**  
**Halogen-Free  
 Status  
 Not Reviewed**

**China RoHS**



**Need more information on product  
 environmental compliance?**

Email [productcompliance@molex.com](mailto:productcompliance@molex.com)  
 For a multiple part number RoHS Certificate of  
 Compliance, [click here](#)

Please visit the [Contact Us](#) section for any  
 non-product compliance questions.

**Search Parts in this Series**

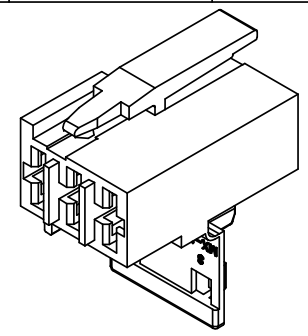
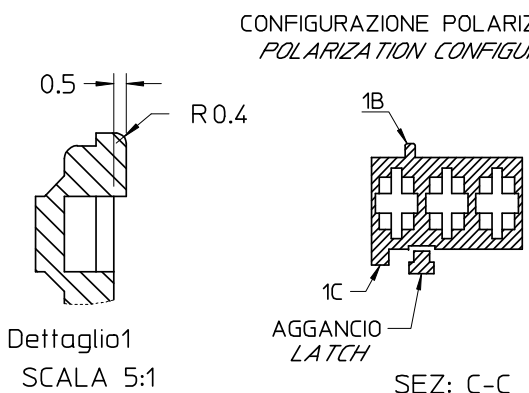
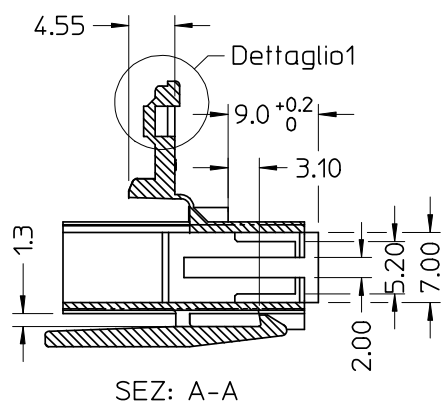
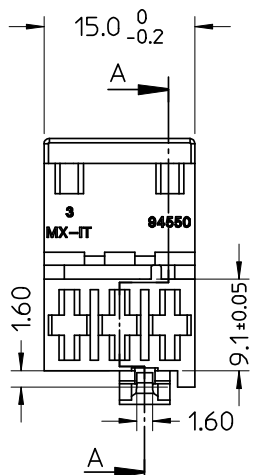
[94550Series](#)

**Mates With**

Rast 5 Headers, [90858](#) Vertical Header,  
[90879](#) Right Angle Header

**Use With**

[94518](#) Crimp Terminal, [94549](#) Crimp  
 Terminal



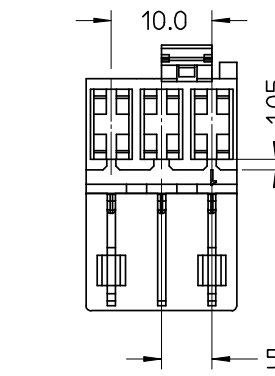
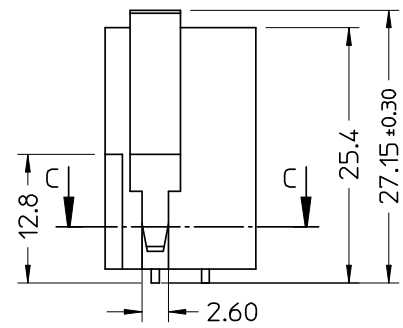
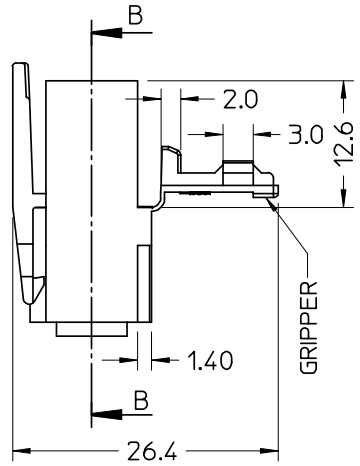
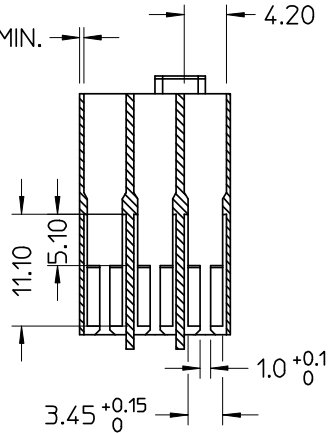
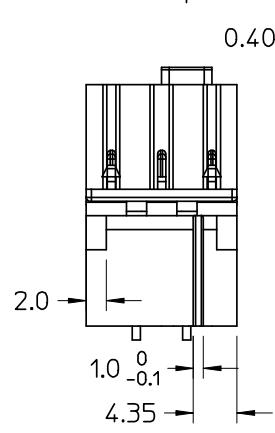
NOTE:  
 - USATO CON TERMINALE 94518-0XXX E 94549-0XXX  
 - SPECIFICA DI RIFERIMENTO PER IL CONNETTORE PS-94550-001  
 - PER CARATTERISTICHE DI CRIMPATURA RIF. SD-94518-005 E SD-94549-001  
 - FORZA DI DISACCOPIAMENTO CONNETTORE (TRAZIONANDO DAI CAVI SENZA AZIONARE L'AGGANCIO): 40 N MIN.  
 - SPESSORE MINIMO PARETI CONNETTORE 0.40 mm.

NOTE:  
 - USED WITH TERMINALS 94518-0XXX AND 94549-0XXX  
 - REFER TO PS-94550-001 FOR CONNECTOR SPECIFICATION  
 - REFER TO SD-94518-005 AND SD-94549-001 FOR CRIMPING CHARACTERISTICS  
 - CONNECTOR DISENGAGEMENT FORCE (PULLING BY THE WIRES, WITHOUT ACTUATING THE LATCH): 40 N MIN.  
 - MINIMUM CONNECTOR WALL THICKNESS 0.40 mm.

CONFEZIONE: Box da 2200 Pz.  
 PACKAGING: 2200 pcs in carton box

P/N	MATERIAL/COLOR
*94550-9003	NYLON 6.6 V0 NATURAL
94550-4003	NYLON 6.6 GWT 750 °C sec.IEC 60335-1 TEST METHOD IEC 60695-2-11 NATURAL

\* AGENCY RECOGNIZATIONS  
 CSA (file LR19980)  
 UL (file E-29179)



SPQ =2200

Std. Descr: "HSG W/SEC LOCK AND EXT LATCH 3 CKT \_\_\_\_\_ COLOR"

EC NO: Z2006-0056 DRWN: FGOTTARD 2005/10/14 CHKD: RSANDANI 2005/10/14 APPR: GZUIN 2005/10/17	QUALITY SYMBOLS	GENERAL TOLERANCES (UNLESS SPECIFIED)	SCALE 2:1	DESIGN UNITS METRIC	FIRST ANGLE PROJECTION	REVISE ON CAD ONLY
	▲ = 0 ▽ = 0	mm	INCH	DIMENSION STYLE MM ONLY	TITLE HSG 3 CKT WITH SEC.LOCK AND EXTERNAL LATCH MOLEX MOLEX INCORPORATED	
		4 PLACES ± --- ± ---	3 PLACES ± --- ± ---	DRAWN BY FGOTTARD DATE 2002/06/27		
	A2	REV	2 PLACES ± 0.10 ± ---	1 PLACE ± 0.2 ± ---	CHECKED BY MTESTAGU DATE 2002/06/27	MATERIAL NO. SEE TABLE
ANGULAR ± 2 °			APPROVED BY GZUIN DATE 2002/06/27	SHEET NO. 1 OF 1		
		DRAFT WHERE APPLICABLE MUST REMAIN WITHIN DIMENSIONS	THIS DRAWING CONTAINS INFORMATION THAT IS PROPRIETARY TO MOLEX INCORPORATED AND SHOULD NOT BE USED WITHOUT WRITTEN PERMISSION			