



## 75 Ohm 1.6/5.6 Plug Right Angle Connector Clamp/ Solder Attachment For RG179, RG187

### TECHNICAL DATA SHEET

PE44264

#### 75 Ohm 1.6/5.6 Plug Right Angle Connector Clamp/Solder Attachment For RG179, RG187

##### Configuration

Connector	1.6/5.6 Plug
Connector Interface Type	RG179, RG187
Cable Attachment Method (Shield/Contact)	Clamp/Solder
Body Style	Right Angle

##### Electrical Specifications

Impedance, Ohms	75
-----------------	----

##### Mechanical Specifications

###### Size

Length, in [mm]	0.935 [23.75]
Width/Dia., in [mm]	0.425 [10.80]
Height, in [mm]	1.052 [26.72]
Weight, lbs [g]	0.041 [18.6]

###### Connector

Type	1.6/5.6 Plug
Contact Material and Plating	Brass, Gold
Contact Plating Specification	3μ in. minimum
Coupling Nut Material and Plating	Brass, Nickel
Coupling Nut Plating Specification	100μ in. minimum
Body Material and Plating	Brass, Nickel
Body Plating Specification	100μ in. minimum
Dielectric Type	Teflon/POM

##### Compliance Certifications (visit [www.Pasternack.com](http://www.Pasternack.com) for current document)

RoHS Compliant	Yes
----------------	-----

##### Plotted and Other Data

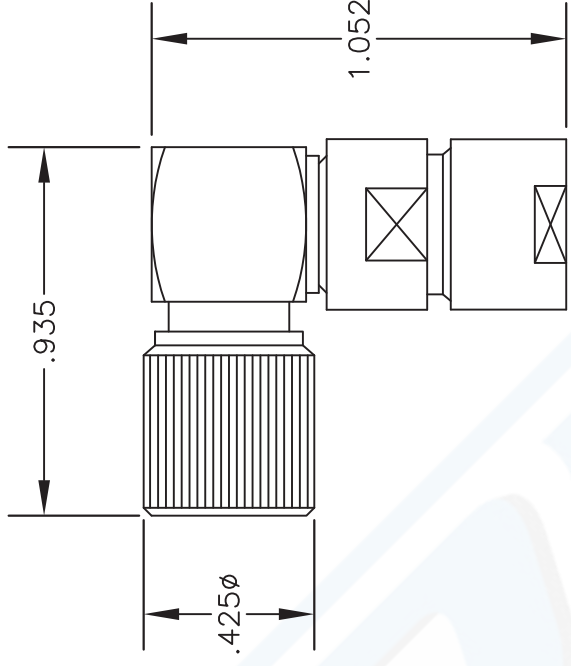
Notes:	Values at 25 °C, sea level
--------	----------------------------

Click the following link (or enter part number in "SEARCH" on website) to obtain additional part information including price, inventory and certifications: [75 Ohm 1.6/5.6 Plug Right Angle Connector Clamp/Solder Attachment For RG179, RG187 PE44264](#)

The information contained in this document is accurate to the best of our knowledge and representative of the part described herein. It may be necessary to make modifications to the part and/or the documentation of the part, in order to implement improvements. Pasternack reserves the right to make such changes as required. Unless otherwise stated, all specifications are nominal.

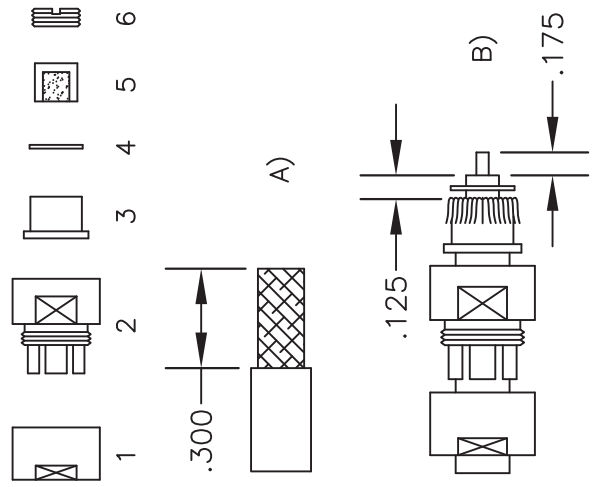


MATERIALS	
BODY	BRASS NICKEL PLATED
CONTACT	GOLD PLATED
INSULATOR	PTFE



ASSEMBLY PROCEDURES

1. STRIP CABLE AS SHOWN IN A).  
SLIDE CLAMP NUT (1), (2) AND  
BRAID CLAMP (3) ON CABLE.
2. FOLD BRAID OVER BRAID CLAMP  
(3). SLIDE WASHER (4) ON  
DIELECTRIC, STRIP DIELECTRIC  
TO DIMENSIONS SHOWN IN B)  
ASSEMBLE INTO BODY AND  
TIGHTEN ALL NUTS.
3. SOFT SOLDER CENTER CONDUCTOR  
IN PLACE. INSERT INSULATOR (5)  
INTO BODY THEN SCREW CAP (6).



**PASTERMACK ENTERPRISES, INC.**  
 P.O. BOX 16759, IRVINE, CA 92623  
 PHONE (949) 261-1920 FAX (949) 261-7451  
 WEB ADDRESS: www.pasternack.com  
 E-MAIL ADDRESS: sales@pasternack.com  
**COAXIAL & FIBER OPTICS**

DWG TITLE	DES.	1.6/5.6 PLUG, RIGHT ANGLE, CLAMP ATTACHMENT FOR RG179 & RG187
<b>PE44264</b>		
SIZE A	FSCM NO. 53919	CAD FILE 070202 SCALE N/A 127

NOTES:  
 1. UNLESS OTHERWISE SPECIFIED ALL DIMENSIONS ARE NOMINAL.  
 2. ALL SPECIFICATIONS ARE SUBJECT TO CHANGE WITHOUT NOTICE AT ANY TIME.