

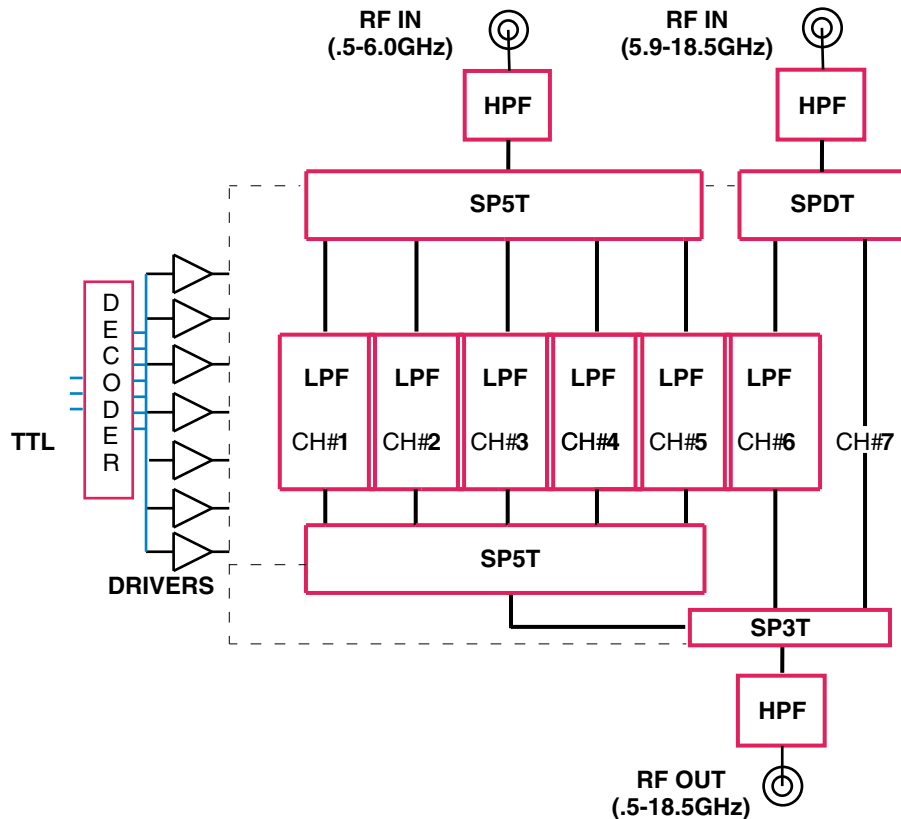
SWITCH / FILTER BANK

7 CHANNELS

HARMONIC REJECTION

0.5 - 18.5 GHz (Pass Bands)

- Extended Range
- Low Video Transients
- Rejection to 18.5 GHz
- Two Inputs
- 6 Low Pass Filters
- 3 High Pass Filters
- 4 Multi-throw Switches
- TTL Drivers
- Decoder
- Small Size



SPECIFICATIONS (P/N 7SF8188)

PASS BANDS	0.5 - 18.5 GHz
REJECTION RANGE	1.0- 18.5 GHz
VIDEO TRANSIENTS	20 mVpp max.
INSERTION LOSS	5.0 dB max.
VSWR	2.0:1 max.
ISOLATION	55 dB min.
RF OPERATING POWER	+25 dBm
SWITCHING SPEED	400 nano sec. max.
CONTROL LOGIC	TTL 3 lines (Decoded)
POWER SUPPLY	175mA @+5V, 75mA @-15 V
SIZE	3.80" x 4.50" x 0.61"
CONNECTORS	SMA Female
OPERATING TEMPERATURE	-30°C to +85°C

FILTER CHARACTERISTICS

PASS BAND (GHz)	50 dB STOP BAND (GHz)
0.50 - 0.85	1.00 - 18.5
0.75 - 1.30	1.50 - 18.5
1.20 - 2.00	2.40 - 18.5
2.00 - 3.50	4.00 - 18.5
3.40 - 6.00	6.80 - 18.5
5.90 - 10.40	11.80 - 18.5
10.30 - 18.50	