

MODEL NUMBER
DSW62188

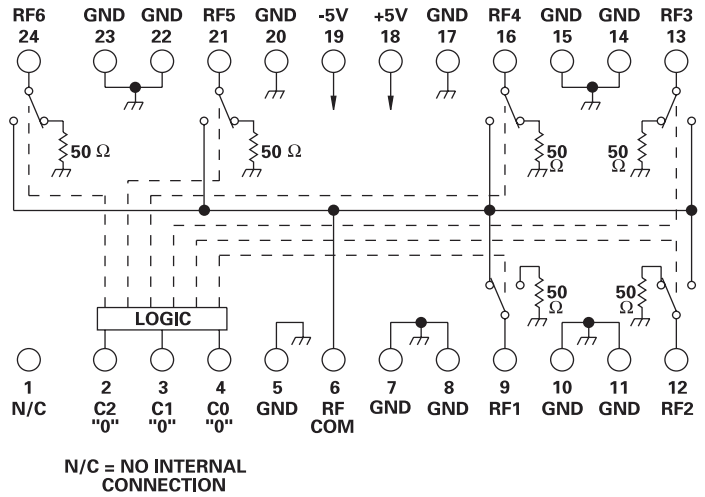
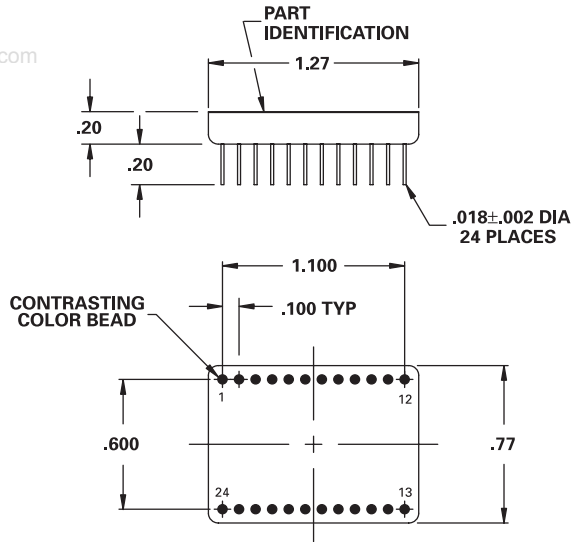
GaAs SP6T

FEATURES

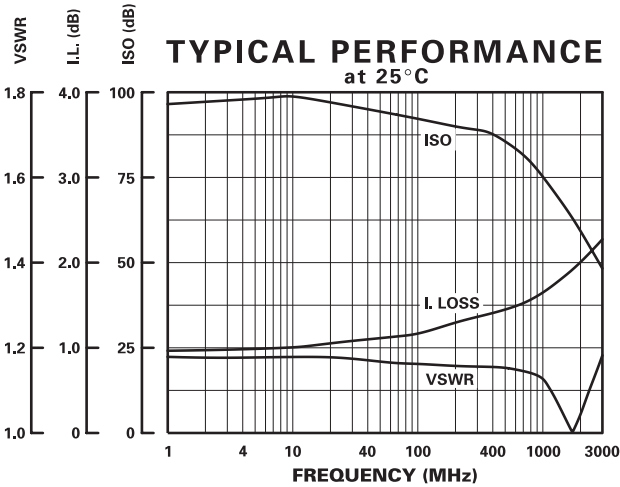
- 10-2000 MHz
- 40 nSec Switching Speed
- TTL Control
- 24 Pin DIP

SP6T

www.DataSheet4U.com



N/C = NO INTERNAL CONNECTION



GUARANTEED PERFORMANCE

Parameter	Min	Typ	Max	Units	Conditions
Operating Frequency	10		2000	MHz	
DC Current		0.027	3	mA	At +5 VDC Supply
		0.037	5	mA	At -5 VDC Supply
Control Type		TTL			3 Line BCD See Table
Control Current	High	0	2	μA	VIH = +2.7V
	Low	0	2	μA	VIL = +0.5V
Insertion Loss		1.6	2.0	dB	10 - 950 MHz
		2.0	2.5	dB	950 - 2000 MHz
Isolation	40	58		dB	
VSWR		1.18/1	1.6/1		
	Thru Termination	1.13/1	2.0/1		
Impedance		50		OHMS	
Switching Speed		40	75	nSEC	50% TTL to 90% / 10% RF
Transition (Rise/Fall) Time		4		nSEC	10% / 90% or 90% / 10% RF
Switching (Video) Transients		39		mV	Peak Value
Intercept Points	2nd	+75		dBm	
	3rd	+38		dBm	
RF Power	Operate	+14	+12	dBm	0.1 dB Compression
		+20	+18	dBm	1 dB Compression
Operating Temperature	-55	+25	+125	°C	TA

LOGIC TABLE

C2	C1	C0	Thru
0	0	0	RF COM To RF1
0	0	1	RF COM To RF2
0	1	0	RF COM To RF3
0	1	1	RF COM To RF4
1	0	0	RF COM To RF5
1	0	1	RF COM To RF6
1	1	0	All Off
1	1	1	All Off



DAICO Industries