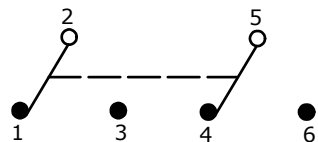
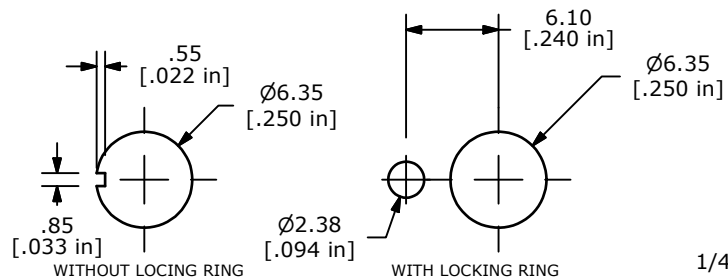
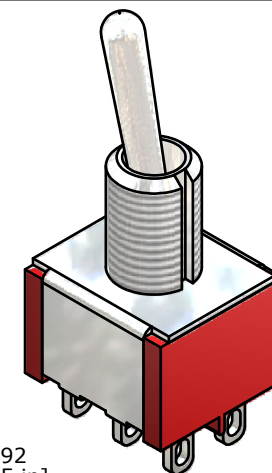
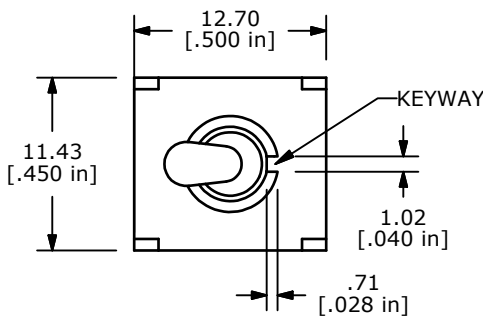


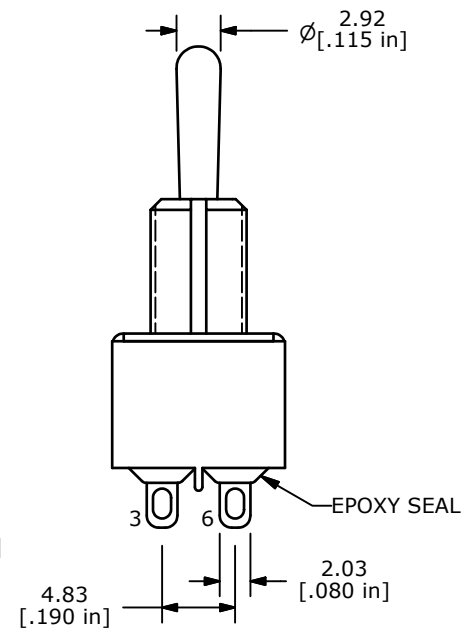
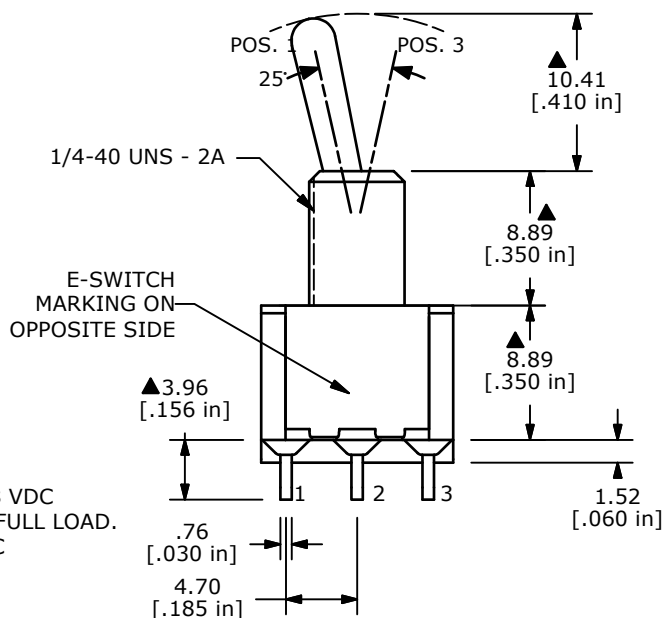
| SWITCH FUNCTION |        |          |
|-----------------|--------|----------|
| POS. 1          | POS. 2 | POS. 3   |
|                 |        |          |
| ON              | NONE   | ON       |
| 2-3, 5-6        | N/A    | 2-1, 5-4 |



CIRCUIT: DPDT



PANEL MOUNTING



NOTE:

1. ALL DIMENSIONS IN MM [INCH]
2. GENERAL TOLERANCE: X.X=±0.4  
X.XX=±0.25
3. TERMINAL NUMBERS FOR REF ONLY
- ▲4. CONTACT MATERIAL: SILVER
5. CONTACT RATING: 2A @ 250VAC, 5A @ 120VAC OR 28 VDC
6. ELECTRIC LIFE: 40,000 MAKE-AND-BREAK CYCLES AT FULL LOAD.
7. CONTACT RESISTANCE: 10mΩ MAX. INITIAL @ 2-4VDC
8. INSULATION RESISTANCE: 1,000 MΩ MIN.
9. DIELECTRIC STRENGTH: 1,000 V RMS @SEA LEVEL.
10. OPERATING TEMP.: -30°C to 85°C
11. ▲ DENOTES CRITICAL PARAMETER.
12. 2002/95/EC (ROHS) COMPLIANT
- ▲13. HARDWARE TO BE SUPPLIED BULK:
 

|                       |         |
|-----------------------|---------|
| T100011 - LOCK WASHER | QTY - 1 |
| T100015 - LOCK RING   | QTY - 1 |
| T100000 - HEX NUT     | QTY - 2 |



|                       |                |        |              |       |
|-----------------------|----------------|--------|--------------|-------|
| TITLE 100DP1T1B1M1QEH |                |        |              |       |
| SCALE 2:1             | DATE 9/21/2011 | DR BGL | DWG ST121005 | REV B |

|     |        |                     |         |     |
|-----|--------|---------------------|---------|-----|
| B   | 20170  | REVISED AND REDRAWN | 9/21/11 | BGL |
| REV | PCR NO | DESCRIPTION         | DATE    | BY  |

THE INFORMATION CONTAINED IN THIS DOCUMENT IS PROPRIETARY TO E-SWITCH AND IS NOT TO BE COPIED OR TRANSFERRED