



AU9228

USB KVM Controller

Technical Reference Manual



AU9228

USB KVM Controller



Copyright

Copyright © 1997 - 2007. Alcor Micro, Corp. All Rights Reserved. No part of this data sheet may be reproduced, transmitted, transcribed, stored in a retrieval system or translated into any language or computer language, in any form or by any means, electronic, mechanical, magnetic, optical, chemical, manual or otherwise, without prior written permission from Alcor Micro, Corp.

Trademark Acknowledgements

The company and product names mentioned in this document may be the trademarks or registered trademarks of their manufacturers.

Disclaimer

Alcor Micro, Corp. reserves the right to change this product without prior notice. Alcor Micro, Corp. makes no warranty for the use of its products and bears no responsibility for any error that appear in this document. Specifications are subject to change without prior notice.

Revision History

Date	Revision	Description
July 2007	1.00W	Official release
Oct 2007	1.01W	Modify "3.0 Pin Assignment"

Contact Information:

Web site: <http://www.alcormicro.com/>

Taiwan

Alcor Micro, Corp.
4F, No 200 Kang Chien Rd., Nei Hu,
Taipei, Taiwan, R.O.C.
Phone: 886-2-8751-1984
Fax: 886-2-2659-7723

China ShenZhen Office

Rm.2407-08, Industrial Bank Building
No.4013, Shennan Road,
ShenZhen,China. 518026
Phone: (0755) 8366-9039
Fax: (0755) 8366-9101

Santa Clara Office

2901 Tasman Drive, Suite 206
Santa Clara, CA 95054
USA
Phone: (408) 845-9300
Fax: (408) 845-9086

Los Angeles Office

9070 Rancho Park Court
Rancho Cucamonga, CA 91730
USA
Phone: (909) 483-8821
Fax: (909) 944-0464



<Memo>



Table of Contents

1. Introduction	1
1.1 Description.....	1
1.2 Features.....	1
2. Application Block Diagram	2
3. Pin Assignment	3
4. System Architecture and Reference Design	8
4.1 AU9228 Block Diagram	8
5. Hot Key Definition	9
5.1 [Scroll]++[Scroll] mode	9
5.2 [Caps]++[Caps] mode.....	9
5.3 [Num]++[Num] Mode	10
5.4 [Ctrl]+[Shift] mode (left-hand side)	10
6. Electrical Characteristics	12
6.1 Recommended Operating Conditions	12
6.2 General DC Characteristics	12
6.3 DC Electrical Characteristics of 3.3V I/O Cells.....	12
6.4 Crystal Oscillator Circuit Setup for Characterization	13
6.5 ESD Test Results	13
6.6 Latch-Up Test Results.....	14
7. Mechanical Information	16
7. Abbreviations	17



List of Figures

Figure 2.1 Block Diagram.....	2
Figure 3.1 Pin Assignment Diagram	3
Figure 4.1 AU9228 Block Diagram	8
Figure 6.1 Crystal Oscillator Circuit Setup for Characterization ...	13
Figure 6.2 Latch-Up Test Circuits	15
Figure 7.1 Mechanical Information Diagram	16

List of Tables

Table 3.1 Pin Descriptions	4
Table 6.1 Recommended Operating Conditions	12
Table 6.2 General DC Characteristics	12
Table 6.3 DC Electrical Characteristics of 3.3V I/O Cells	12
Table 6.4 ESD Data	13
Table 6.5 Latch-Up Data	15



1. Introduction

1.1 Description

AU9228 is a highly integrated single chip USB KVM controller offering users the possibility of sharing keyboard, mouse and monitor among up to four PCs. Not like traditional PS2 KVM devices, AU9228 uses USB as its upstream and downstream interface to support its driver-free and plug-n-play features, which allow users to easily install and use the KVM.

Typical application of AU9228 is under an environment, in which only one set of monitor, keyboard and mouse is available. Applying such kind of devices in a computing environment will not only result in a centralized control, but also reduce the power and space consumption.

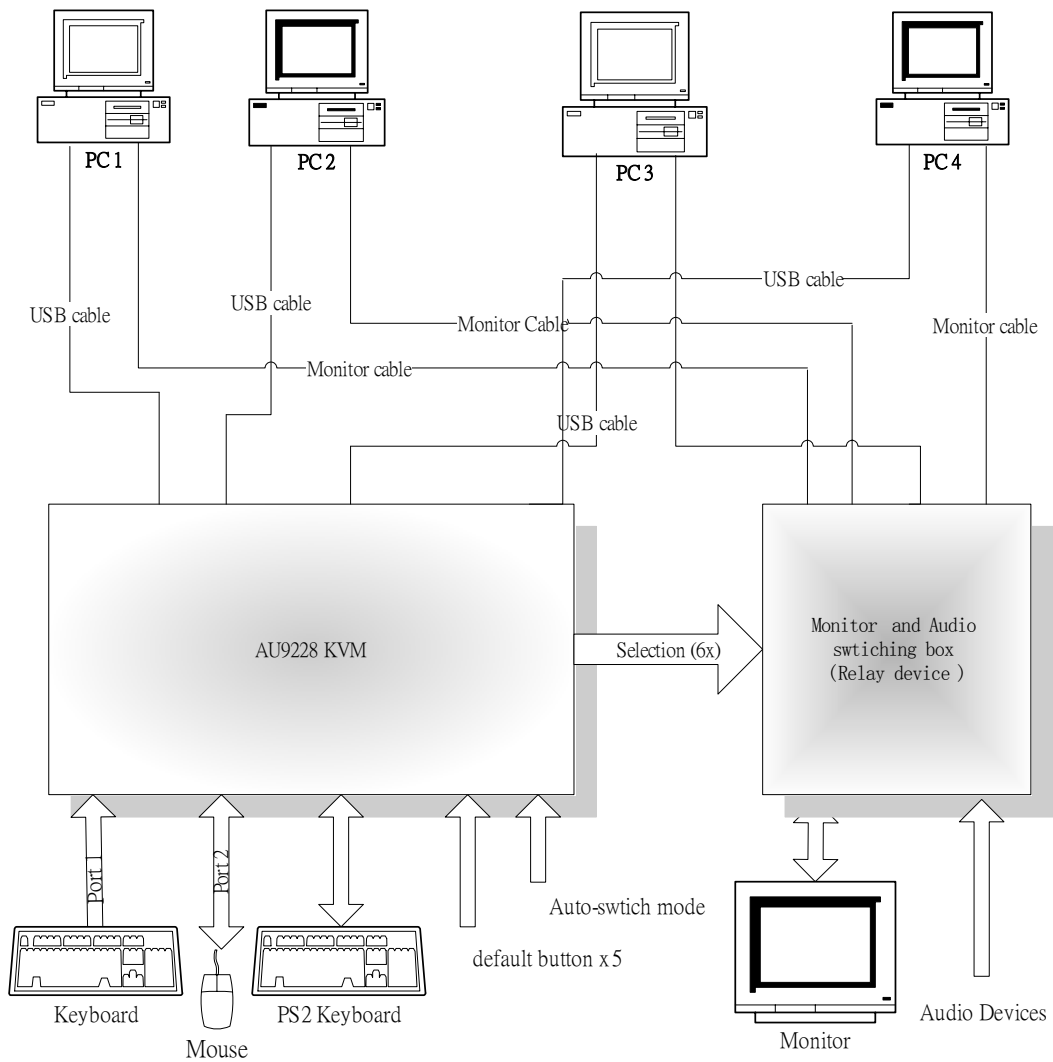
1.2 Features

- Fully USB v1.1 specification compliant
- Support USB bus power and device self power
- Support up to 4 PCs via 4 USB upstream ports
- Support USB downstream port 1 for USB keyboard
- Support USB downstream port 2 for USB mouse
- Support PS2 keyboard
- Support both “panel button” and “hot key” to switch among PCs
- Support “auto-scan” mode for users to monitor PCs easily
- Support audio beep when system switches
- Support upstream port selected LED indicators for each PC respectively
- Support phantom keyboard to let user does not need to configure BIOS to turn on “No halt on error”
- Support 4 different sets of key sequence to switch among PCs (Please see the key definition in the following)
- Recalls “Caps Lock”, “Num Lock” and “Scroll Lock” keys’ status for each PC automatically
- Output the monitor selection signals to the external video-switching circuits
- Support 8-bit MCU interface to provide control from external MCU
- Support serial MCU interface to provide control from external MCU
- No need to install device driver under Windows, Macintosh, Linux, FreeBSD and Sun system

2. Application Block Diagram

Typical application is in a computing environment where it demands a centralized control and space & energy saving is critical.

Figure 2.1 Block Diagram



3. Pin Assignment

The AU9228 is delivered in 64pin LQFP form factor. Documented below is a figure shows signal names of each pin and a table in the following page describes each pin in more details.

Figure 3.1 Pin Assignment Diagram

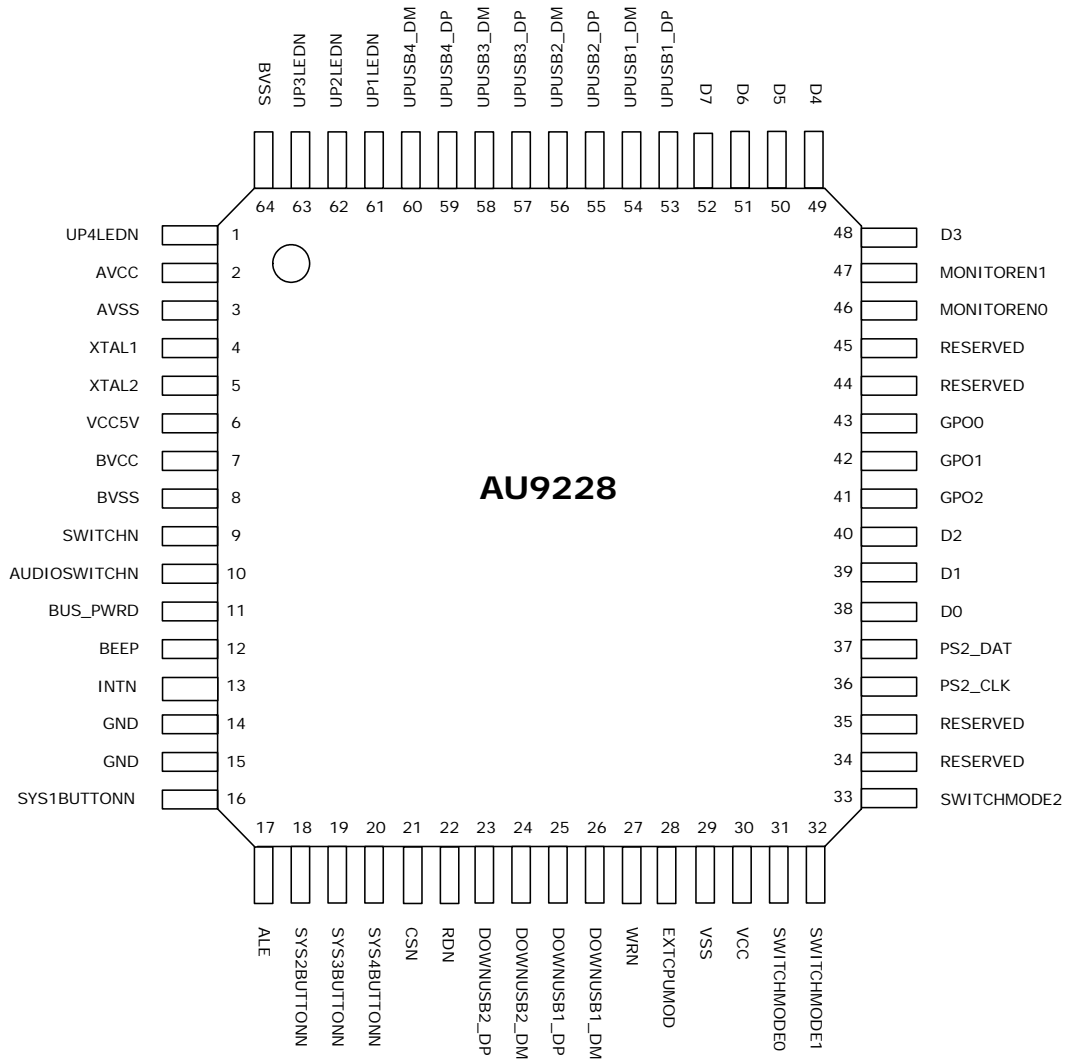




Table 3.1 Pin Descriptions

Pin #	Pin Name	I/O	Description
1	UP4LEDN	O	System 4 LED indicator (0:ON; 1:OFF)
2	AVCC	PWR	3.3V analog input power
3	AVSS	PWR	Analog ground
4	XTAL1	I	12 MHz crystal input
5	XTAL2	O	12 MHz crystal output
6	VCC5V	PWR	5.0V input power from USB port
7	BVCC	PWR	3.3V output power from internal regulator
8	BVSS	PWR	Ground pin of internal regulator
9	SWITCHN	I	Button with internal pull-up for switching to next system (0: Enable; 1: Normal)
10	AUDIOSWITCHN	I	Audio ON/OFF switch with internal pull-up (1: OFF; 0: ON)
11	BUS_PWRD	I	Bus power selection (1: Device Self Power; 0: Bus Power)
12	BEEP	O	Audio output (4 KHz frequency) when system switches
13	INTN	O	Interrupt signal output to external MCU when SWITCHMODE2='1' and EXTCPUMOD='1' (falling-edge triggered)
14	GND		Ground
15	GND		Ground
16	SYS1BUTTONN	I	Panel button with internal pull-up for enabling system 1 (0: Enable; 1: Normal)
17	ALE	I	When not using external parallel MCU, it should be pulled down. Address latch enable when SWITCHMODE2='1' and EXTCPUMOD='1' (1: AD bus is address; 0: AD bus is data)
18	SYS2BUTTONN	I	Panel button with internal pull-up for enabling system 2 (0: Enable; 1: Normal)
19	SYS3BUTTONN	I	Panel button with internal pull-up for enabling system 3 (0: Enable; 1: Normal)
20	SYS4BUTTONN	I	Panel button with internal pull-up for enabling system 4 (0: Enable; 1: Normal)
21	CSN	I	Chip enable for the MCU interface when SWITCHMODE2='1' and EXTCPUMOD='1' (0: Enable)
22	RDN	I	Read strobe for the MCU interface when SWITCHMODE2='1' and EXTCPUMOD='1' (0: Enable)
23	DOWNUSB2_DP	I/O	DownPort2 DP



Pin #	Pin Name	I/O	Description
24	DOWNUSB2_DM	I/O	DownPort2 DM
25	DOWNUSB1_DP	I/O	DownPort1 DP
26	DOWNUSB1_DM	I/O	DownPort1 DM
27	WRN	I	Read strobe for the MCU interface when SWITCHMODE2='1' and EXTCPUMOD ='1' (0: Enable; 1: Normal)
28	EXTCPUMOD	I	External MCU mode selection (1: Parallel; 0: Serial). Serial is the default mode.
29	VSS	PWR	Digital ground
30	VCC	PWR	3.3V digital input power
31	SWITCHMODE0	I	Switch mode selection (SW0, SW1) for internal hotkey mode when SWITCHMODE2='0' and D2='0', it's defined as: (0, 0): [Scroll][Scroll] mode (default) (0, 1): [Caps Lock][Caps Lock] mode (1, 0): [Num Lock][Num Lock] mode (1, 1): [Ctrl][Shift] mode (left-hand side)
32	SWITCHMODE1	I	
33	SWITCHMODE2	I	
34	RESERVED		
35	RESERVED		Reserved
36	PS2_CLK	I/O	PS2 clock signal (external pull-up required)
37	PS2_DAT	I/O	PS2 data signal (external pull-up required)
38	D0	I/O	Bit 0 with internal pull-up in address/data bus of MCU interface when SWITCHMODE2='1' and EXTCPUMOD='1'. It also provides alternative functions: I2C bus SDA signal (slave mode) when SWITCHMODE2='1' and EXTCPUMOD='0' I2C bus SDA signal (master mode) when SWITCHMODE2='0' and D2='1'
39	D1	I/O	Bit 1 with internal pull-up in address/data bus of MCU interface when SWITCHMODE2='1' and EXTCPUMOD='1'. It also provides alternative functions: I2C bus SCL signal (slave mode) when SWITCHMODE2='1' and EXTCPUMOD='0' I2C bus SCL signal (master mode) when SWITCHMODE2='0' and D2='1'
40	D2	I/O	Bit 2 with internal pull-down in address/data bus of MCU interface when SWITCHMODE2='1' and EXTCPUMOD='1'. It also provides alternative functions: I2C bus address 0 (slave mode) when SWITCHMODE2='1' and EXTCPUMOD='0' I2C bus master mode enable bit when SWITCHMODE2='0'



Pin #	Pin Name	I/O	Description
41	GPO2	O	General purpose output pin 2
42	GPO1	O	General purpose output pin 1
43	GPO0	O	General purpose output pin 0
44	RESERVED		Reserved
45	RESERVED		Reserved
46	MONITOREN0	O	Monitor selection (MON0, MON1): (0, 0) : monitor 1 select (1, 0) : monitor 2 select (0, 1) : monitor 3 select (1, 1) : monitor 4 select
47	MONITOREN1	O	
48	D3	I/O	Bit 3 with internal pull-down in address/data bus of MCU interface when SWITCHMODE2='1' and EXTCPUMOD='1'. It also provides alternative function: I2C bus address 1 (slave mode) when SWITCHMODE2='1' and EXTCPUMOD='0'
49	D4	I/O	Bit 4 with internal pull-down in address/data bus of MCU interface when SWITCHMODE2='1' and EXTCPUMOD='1'. It also provides alternative function: I2C bus address 2 (slave mode) when SWITCHMODE2='1' and EXTCPUMOD='0'
50	D5	I/O	Bit 5 with internal pull-down in address/data bus of MCU interface when SWITCHMODE2='1' and EXTCPUMOD='1'
51	D6	I/O	Bit 6 with internal pull-down in address/data bus of MCU interface when SWITCHMODE2='1' and EXTCPUMOD='1'
52	D7	I/O	Bit 5 with internal pull-down in address/data bus of MCU interface when SWITCHMODE2='1' and EXTCPUMOD='1'
53	UPUSB1_DP	I/O	Upstream port 1 DP
54	UPUSB1_DM	I/O	Upstream port 1 DM
55	UPUSB2_DP	I/O	Upstream port 2 DP
56	UPUSB2_DM	I/O	Upstream port 2 DM
57	UPUSB3_DP	I/O	Upstream port 3 DP
58	UPUSB3_DM	I/O	Upstream port 3 DM
59	UPUSB4_DP	I/O	Upstream port 4 DP
60	UPUSB4_DM	I/O	Upstream port 4 DM
61	UP1LEDN	O	System 1 LED indicator (0:ON; 1:OFF)
62	UP2LEDN	O	System 2 LED indicator (0:ON; 1:OFF)

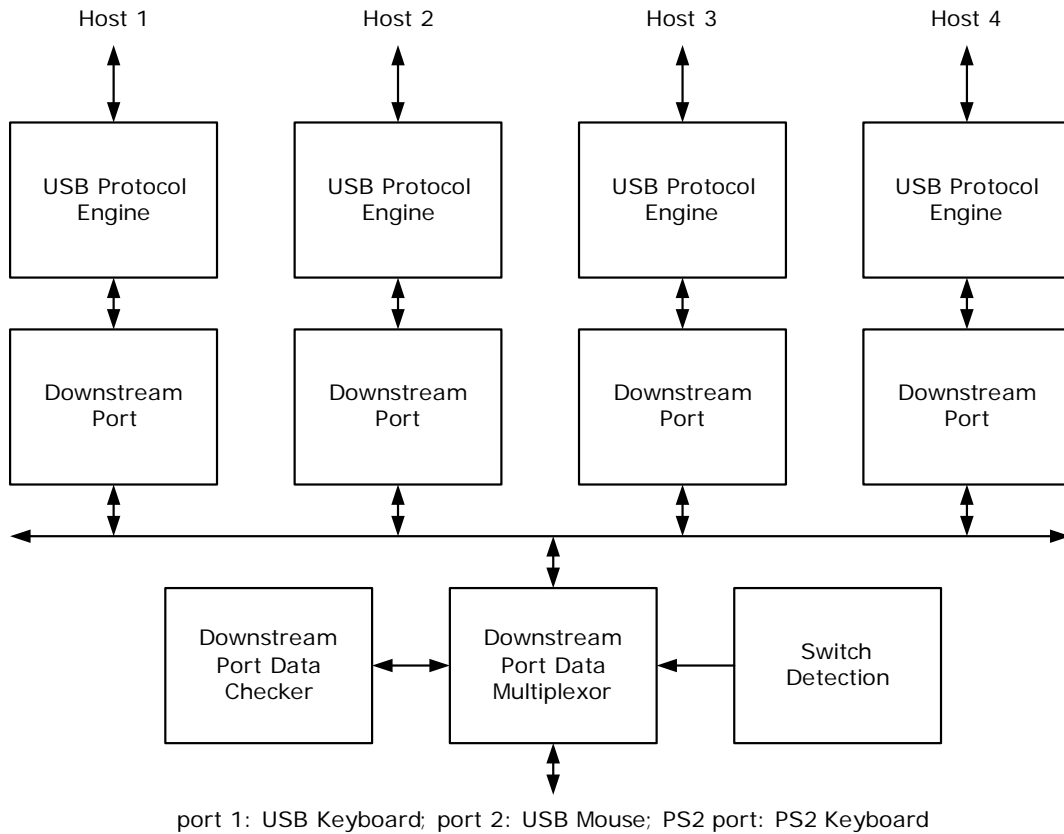


Pin #	Pin Name	I/O	Description
63	UP3LEDN	O	System 3 LED indicator (0:ON; 1:OFF)
64	BVSS	PWR	Ground pin of internal regulator

4. System Architecture and Reference Design

4.1 AU9228 Block Diagram

Figure 4.1 AU9228 Block Diagram





5. Hot Key Definition

AU9228 supports 4 sets of “Hot Key” to help users to switch PC, rapidly and easily, via hot key sequence defined using keypads on the left hand side of a keyboard.

5.1 [Scroll] ++ [Scroll] mode

Hot Key Definition	
[Scroll] ++ [Scroll] + 1 (note1)	Switch to PC1
[Scroll] ++ [Scroll] + 2	Switch to PC2
[Scroll] ++ [Scroll] + 3	Switch to PC3
[Scroll] ++ [Scroll] + 4	Switch to PC4
[Scroll] ++ [Scroll] + → or ↓	Switch to Next PC
[Scroll] ++ [Scroll] + ← or ↑	Switch to Previous PC
[Scroll] ++ [Scroll] + B	Beeper ON/OFF (note2)
[Scroll] ++ [Scroll] + S	Auto-scan mode every 10 second. ([ESC] switch to regular key code)
[Scroll] ++ [Scroll] + S + n	Set Auto-scan rate (note3). ([ESC] switch to regular key code)
[Scroll]++[Scroll]+F1~F8	Customer define key (note4).
[Scroll]++[Scroll]+[Caps]	Switch to [Caps]++[Caps] hot key mode
[Scroll]++[Scroll]+[Num]	Switch to [Num]++[Num] hot key mode
[Scroll]++[Scroll]+[Ctrl]	Switch to [Ctrl]+[Shift] hot key mode

5.2 [Caps] ++ [Caps] mode

Hot Key Definition	
[Caps]++[Caps]+1	Switch to PC1
[Caps]++[Caps]+2	Switch to PC2
[Caps] ++ [Caps] + 3	Switch to PC3
[Caps] ++ [Caps] + 4	Switch to PC4
[Caps]++[Caps]+ → or ↓	Switch to Next PC
[Caps]++[Caps]+← or ↑	Switch to Previous PC
[Caps]++[Caps]+B	Beeper ON/OFF (note2)
[Caps]++[Caps]+S	Auto-scan mode every 10 second. ([ESC] switch to regular key code)
[Caps]++[Caps]+S + n	Set Auto-scan rate (note3). ([ESC] switch to regular key code)
[Caps]++[Caps]+F1~F8	Customer define key (note4)
[Caps]++[Caps]+[Scroll]	Switch to [Scroll]++[Scroll] hot key mode
[Caps]++[Caps]+[Num]	Switch to [Num]++[Num] hot key mode
[Caps]++[Caps]+[Ctrl]	Switch to [Ctrl]+[Shift] hot key mode

5.3 [Num] ++ [Num] Mode

Hot Key Definition	
[Num]++[Num]+1	Switch to PC1
[Num]++[Num]+2	Switch to PC2
[Num] ++ [Num] + 3	Switch to PC3
[Num] ++ [Num] + 4	Switch to PC4
[Num]++[Num]+→ or ↓	Switch to Next PC
[Num]++[Num]+← or ↑	Switch to Previous PC
[Num]++[Num]+B	Beeper ON/OFF (note2)
[Num]++[Num]+S	Auto-scan mode every 10 second. ([ESC] switch to regular key code)
[Num]++[Num]+S + n	Set Auto-scan rate (note3). ([ESC] switch to regular key code)
[Num]++[Num]+F1~F8	Customer define key (note4)
[Num]++[Num]+[Scroll]	Switch to [Scroll]++[Scroll] hot key mode
[Num]++[Num]+[Caps]	Switch to [Caps]++[Caps] hot key mode
[Num]++[Num]+[Ctrl]	Switch to [Ctrl]+[Shift] hot key mode

5.4 [Ctrl] + [Shift] mode (left-hand side)

Hot Key Definition	
[Ctrl]++[Ctrl]	Switch to next live PC
[Ctrl + Shift + 1]	Switch to PC1
[Ctrl + Shift + 2]	Switch to PC2
[Ctrl + Shift + 3]	Switch to PC3
[Ctrl + Shift + 4]	Switch to PC4
[Ctrl + Shift + → or ↓]	Switch to Next PC
[Ctrl + Shift + ← or ↑]	Switch to Previous PC
[Ctrl + Shift + B]	Beeper ON/OFF (note2)
[Ctrl + Shift + S]	Auto-scan mode every 10 second. ([ESC] switch to regular key code)
[Ctrl + Shift + S + n]	Set Auto-scan rate (note3). ([ESC] switch to regular key code)
[Ctrl + Shift + F1~F8]	Customer define key (note4)
[Ctrl + Shift + Scroll]	Switch to [Scroll]++[Scroll] hot key mode
[Ctrl + Shift + Caps]	Switch to [Caps]++[Caps] hot key mode
[Ctrl + Shift + Num]	Switch to [Num]++[Num] hot key mode

Note 1: “++” means press key rapidly, “[Scroll]++[Scroll]+1” means press “Scroll” twice rapidly and then press “1”. If system receives “Scroll ++ Scroll” command only, system will reset the buffer when it does not receive any input comes after within a defined interval of time (say, 5 seconds).



Note 2: Audible feedback when beeper is ON and keep the device in silent mode when beeper is OFF.

Note 3: n = number from 1 to 9, each represents 5 seconds' interval latency to 60 seconds correspondingly.

Auto-scan rate set	
【N】 number	Second
1	5
2	10
3	15
4	20
5	25
6	30
7	35
8	40
9	60

Note 4:

	GPO 2	GPO 1	GPO 0
Function key +F1	0	0	0
Function key +F2	0	0	1
Function key +F3	0	1	0
Function key +F4	0	1	1
Function key +F5	1	0	0
Function key +F6	1	0	1
Function key +F7	1	1	0
Function key +F8	1	1	1

6. Electrical Characteristics

6.1 Recommended Operating Conditions

Table 6.1 Recommended Operating Conditions

SYMBOL	PARAMETER	MIN	TYP	MAX	UNITS
V _{CC}	Power Supply	4.75	5	5.25	V
V _{IN}	Input Voltage	0		V _{CC}	V
T _{ORP}	Operating Temperature	0		85	OC
T _{STG}	Storage Temperature	-40		125	OC

6.2 General DC Characteristics

Table 6.2 General DC Characteristics

SYMBOL	PARAMETER	CONDITIONS	MIN	TYP	MAX	UNITS
I _{IL}	Input low current	no pull-up or pull-down	-1		1	μA
I _{IH}	Input high current	no pull-up or pull-down	-1		1	μA
O _Z	Tri-state leakage current		-10		10	μA
C _{IN}	Input capacitance			5		ρF
C _{OUT}	Output capacitance			5		ρF
C _{BID}	Bi-directional buffer capacitance			5		ρF

6.3 DC Electrical Characteristics of 3.3V I/O Cells

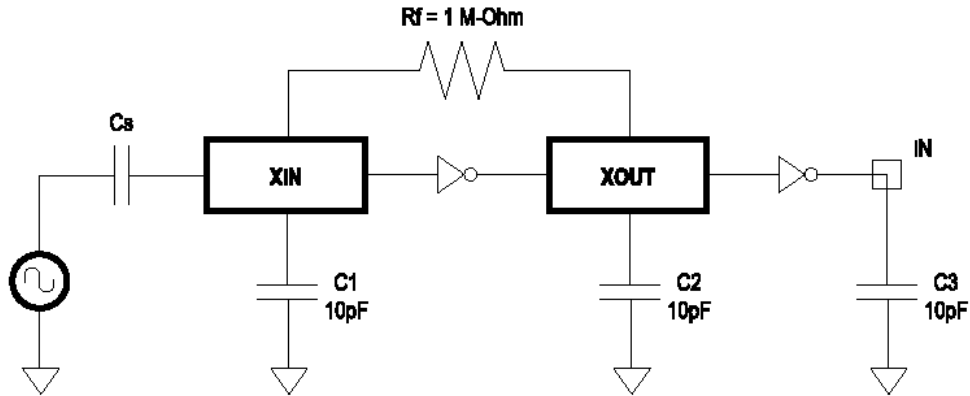
Table 6.3 DC Electrical Characteristics of 3.3V I/O Cells

SYMBOL	PARAMETER	CONDITIONS	Limits			UNIT
			MIN	TYP	MAX	
V _{IL}	Input Low Voltage	CMOS			0.9	V
V _{IH}	Input High Voltage	CMOS	2.3			V
V _{OL}	Output low voltage	IOL=4mA, 16mA			0.4	V
V _{OH}	Output high voltage	IOH=4mA, 16mA	2.4			V
R _I	Input Pull-up/down resistance	Vil=0V or Vih=VCC		10k/200k		KΩ

6.4 Crystal Oscillator Circuit Setup for Characterization

The following setup was used to measure the open loop voltage gain for crystal oscillator circuits. The feedback resistor serves to bias the circuit at its quiescent operating point and the AC coupling capacitor, C_s , is much larger than C_1 and C_2 .

Figure 6.1 Crystal Oscillator Circuit Setup for Characterization



6.5 ESD Test Results

Test Description: ESD Testing was performed on a Zapmaster system using the Human-Body –Model (HBM) and Machine-Model (MM), according to MIL_STD 883 and EIAJ IC_121 respectively.

- Human-Body-Model stress devices by sudden application of a high voltage supplied by a 100 PF capacitor through 1.5 Kohm resistance.
- Machine-Model stresses devices by sudden application of a high voltage supplied by a 200 PF capacitor through very low (0 ohm) resistance

Test circuit & condition

- Zap Interval : 1 second
- Number of Zaps : 3 positive and 3 negative at room temperature
- Criteria : I-V Curve Tracing

Table 6.4 ESD Data

Model	Model	S/S	TARGET	Results
HBM	Vdd, Vss, I/C	15	2000V	TBD
MM	Vdd, Vss, I/C	15	200V	TBD

6.6 Latch-Up Test Results

Test Description: Latch-Up testing was performed at room ambient using an IMCS-4600 system which applies a stepped voltage to one pin per device with all other pins open except Vdd and Vss which were biased to 5 Volts and ground respectively.

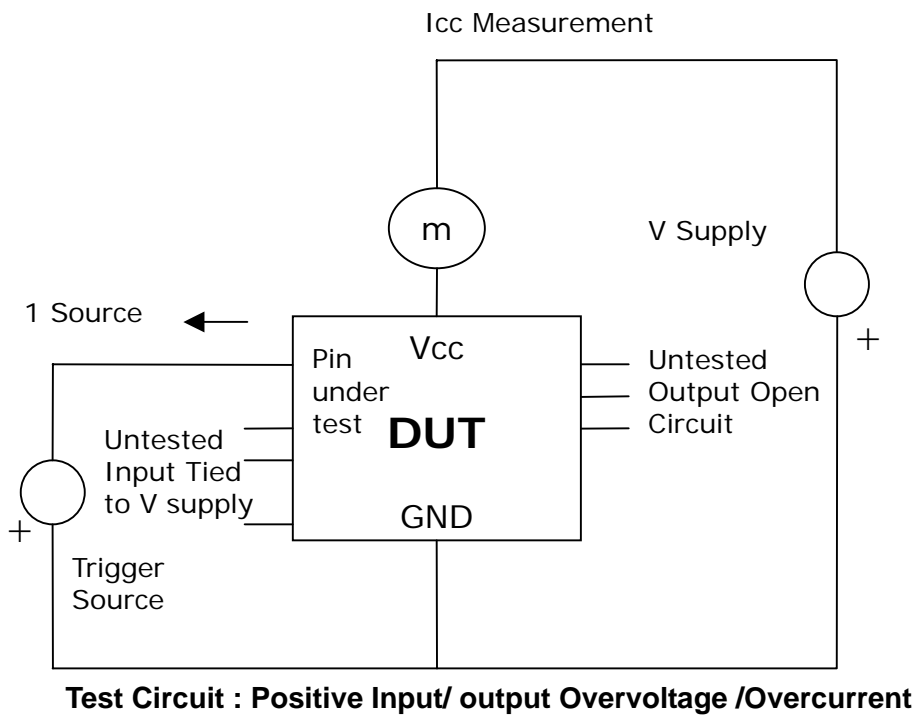
Testing was started at 5.0 V (Positive) or 0 V (Negative), and the DUT was biased for 0.5 seconds.

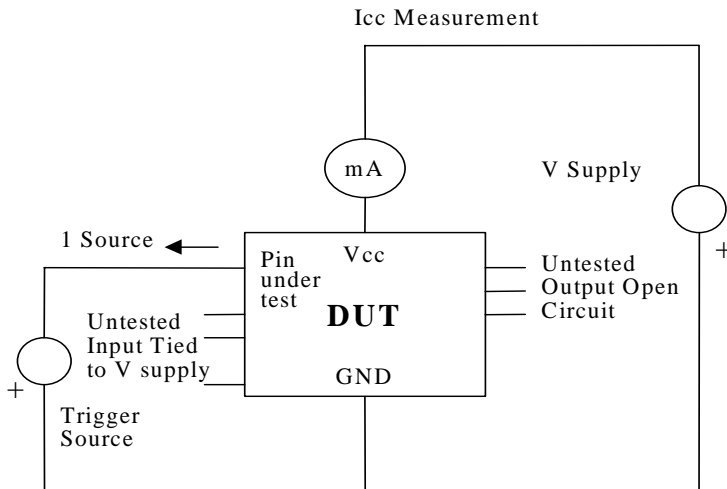
If neither the PUT current supply nor the device current supply reached the predefined limit (DUT=0 mA, Icc=100 mA), then the voltage was increased by 0.1 Volts and the pin was tested again.

This procedure was recommended by the JEDEC JC-40.2 CMOS Logic standardization committee.

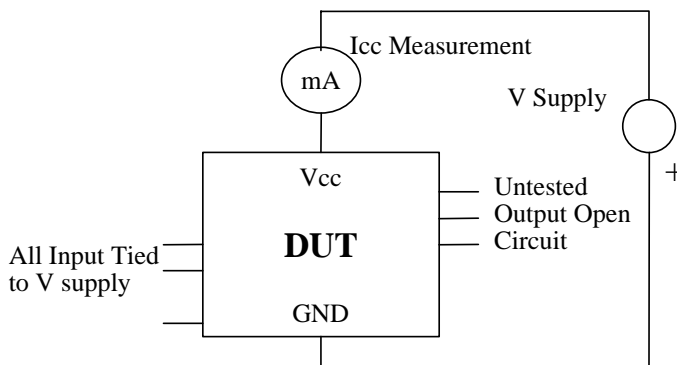
Notes:

1. DUT: Device Under Test.
2. PUT: Pin Under Test.





Test Circuit: Negative Input/Output Overvoltage/Overcurrent



Supply voltage Test

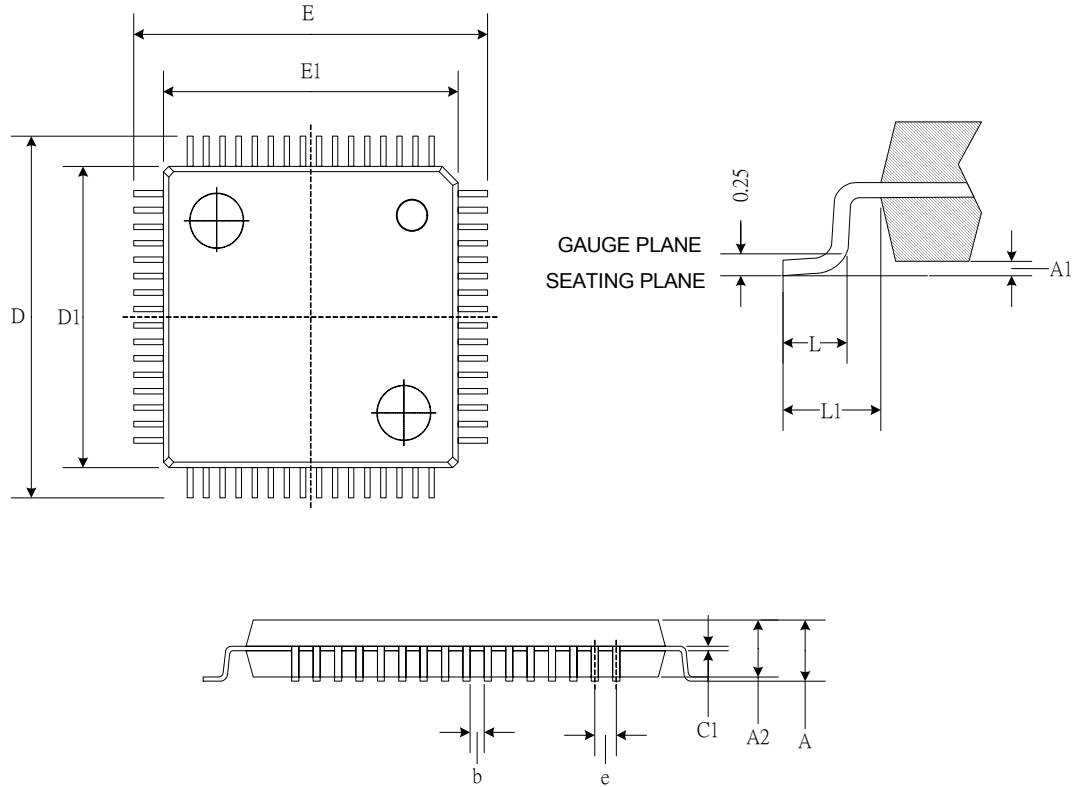
Figure 6.2 Latch-Up Test Circuits

Model	Model	Voltage (v)/ Current (mA)	S/S	Results
Voltage	+	11.0	5	TBD
	-	11.0		
Current	+	200	5	TBD
	-	200		
Vdd-Vxx		9.0	5	TBD

Table 6.5 Latch-Up Data

7. Mechanical Information

Figure 7.1 Mechanical Information Diagram



SYMBOLS	MIN.	MAX.
A	--	1.60
A1	0.05	0.15
A2	1.35	1.45
b	0.17	0.27
c1	0.09	0.16
D	12.00 BSC	
D1	10.00 BSC	
E	12.00 BSC	
E1	10.00 BSC	
e	0.50 BSC	
L	0.45	0.75
L1	1.00 REF	

1. JEDEC OUTLINE: MS-026 BCD
2. DIMENSIONS D1 AND E1 DO NOT INCLUDE MOLD PROTRUSION. ALLOWABLE PROTRUSION IS 0.25mm PER SIDE. D1 AND E1 ARE MAXIMUM PLASTIC BODY SIZE DIMENSIONS INCLUDING MOLD MISMATCH.
3. DIMENSION b DOES NOT INCLUDE DAMBAR PROTRUSION. ALLOWABLE DAMBAR PROTRUSION SHALL NOT CAUSE THE LEAD WIDTH TO EXCEED THE MAXIMUM b DIMENSION BY MORE THAN 0.08mm.



7. Abbreviations

In this chapter some of the terms and abbreviations used throughout the technical reference manual are listed as follows.

SIE	Serial Interface Engine
UTMI	USB Transceiver Macrocell Interface

About Alcor Micro, Corp.

Alcor Micro, Corp. designs, develops and markets highly integrated and advanced peripheral semiconductor, and software driver solutions for the personal computer and consumer electronics markets worldwide. We specialize in USB solutions and focus on emerging technology such as USB and IEEE 1394. The company offers a range of semiconductors including controllers for USB hub, integrated keyboard/USB hub and USB Flash memory card reader...etc. Alcor Micro, Corp. is based in Taipei, Taiwan, with sales offices in Taipei, Japan, Korea and California. Alcor Micro is distinguished by its ability to provide innovative solutions for spec-driven products. Innovations like single chip solutions for traditional multiple chip products and on-board voltage regulators enable the company to provide cost-efficiency solutions for the computer peripheral device OEM customers worldwide.