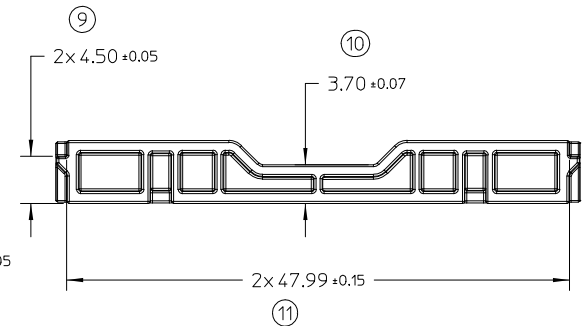
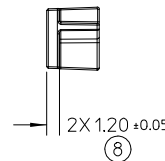
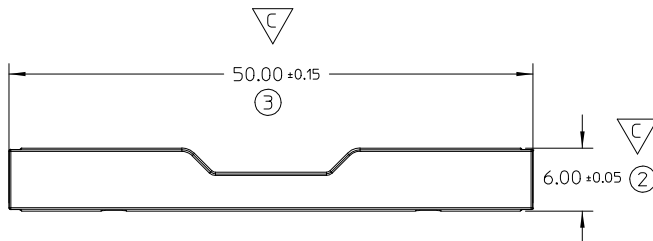
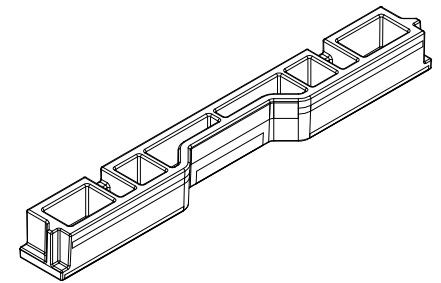
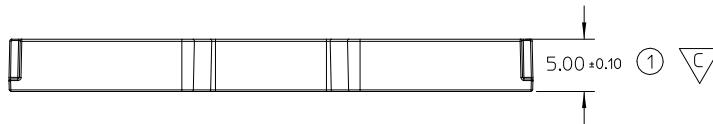


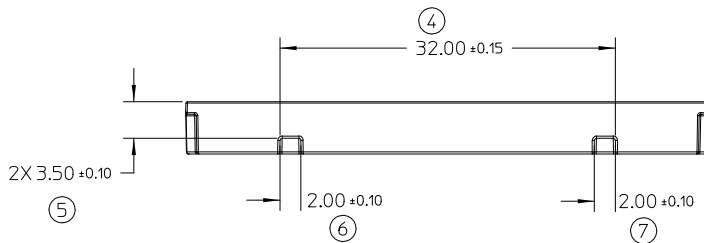
NOTES:
1. MATERIAL: LCP VECTRA E840I.

- 2. USE GLOVES OR FINGER COTS WHEN HANDLING DO NOT TOUCH PART WITH BARE HANDS.
- 3. ONLY DIMENSIONS WITH A NUMBER ARE TO BE MEASURED.
- 4. ∇ ONGOING STATISTICAL PROCESS CONTROL REQUIRED.
- 5. FOR COMPLETE PART GEOMETRY REFER TO 3D MODEL.
- 6. FLASH SHOULD BE LESS THAN 0.03MM ON LDS PARTING LINE AREAS.

MOLEX			CUSTOMER				DARWING	CHANGE DISCRIPTION	AFFECTED DFPT
DRAWING NO	REV	ECN NO	DATE	P/N	DRAWING NO	3D REV	2D REV	LOCATION	
SD-47951-001	A	ABU2011-0109	20110520	-	-	-	-	-	
								INITIAL RELEASE	
								ME/PE/AOP/RE	



TOLERANCE DIN 18901-110(MM)		
OVER	UPTO	TOLERANCE
0	1	±0.06
1	3	±0.07
3	6	±0.08
6	10	±0.09
10	15	±0.10
15	22	±0.11
22	30	±0.12
30	40	±0.13
40	53	±0.14
53	70	±0.15



ITEM	MOLEX PART NUMBER	MOTO DOCUMENT NUMBER	DESCRIPTION
1	479510004	N/A	AFTER MOLDING
2	479510003	N/A	AFTER LDS
3	479510002	N/A	AFTER PLATED
4	479510001	N/A	AFTER TEST

ENTER DESCRIPTION
EC NO: ABU2011-0109
DRWN: COOPERZHOU
CHKD: ERIC SHI
APPR: WELSON TAN

QUALITY SYMBOLS
 ∇ = 3
 \blacktriangledown = 0

GENERAL TOLERANCES (UNLESS SPECIFIED)

	mm	INCH
4 PLACES	±	±
3 PLACES	±	±
2 PLACES	±	±
1 PLACE	±	±

ANGULAR ± °

DRAFT WHERE APPLICABLE MUST REMAIN WITHIN DIMENSIONS

DIMENSION STYLE

DRAWN BY	DATE
COOPERZHOU	20110520
CHECKED BY	DATE
ERIC SHI	20110520
APPROVED BY	DATE
welson tan	20110520

MATERIAL NO. SEE TABLE

SCALE 2:1

DESIGN UNITS

THIRD ANGLE PROJECTION

TITLE: MOBILE TV ANTENNA AFTER MOLDING

MOLEX MOLEX INCORPORATED

DOCUMENT NO. SD-47951-001

SHEET NO. 1 OF 3

THIS DRAWING CONTAINS INFORMATION THAT IS PROPRIETARY TO MOLEX INCORPORATED AND SHOULD NOT BE USED WITHOUT WRITTEN PERMISSION

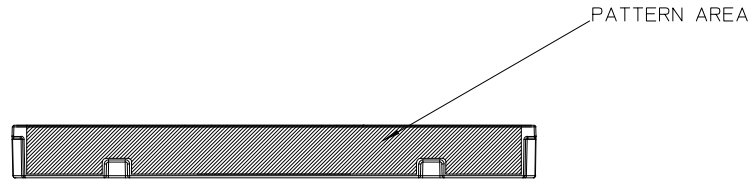
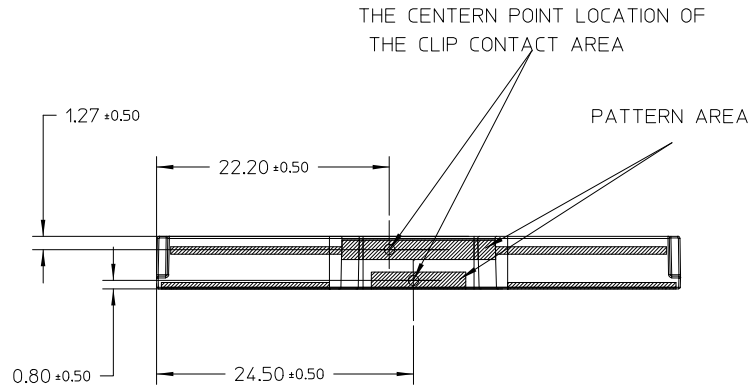
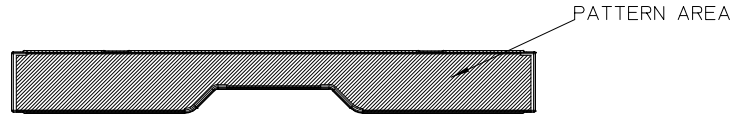
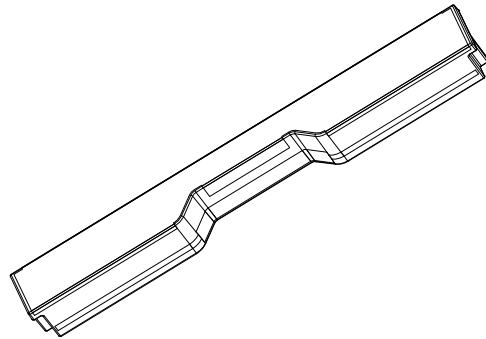
NOTES:

1. TOLERANCE

PATTERN TO PART EDGE : +/-0.15 mm;
 PATTERN TO PATTERN : +/-0.10 mm.

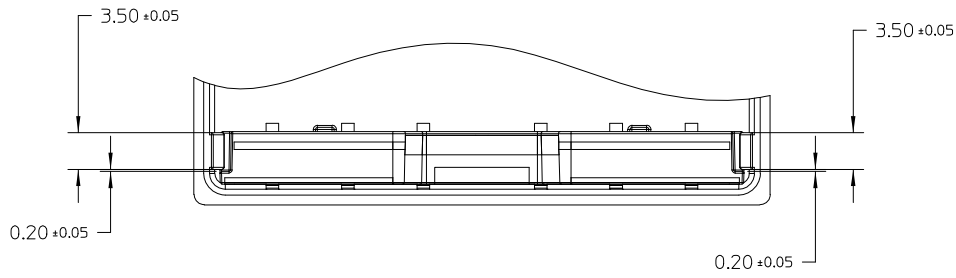
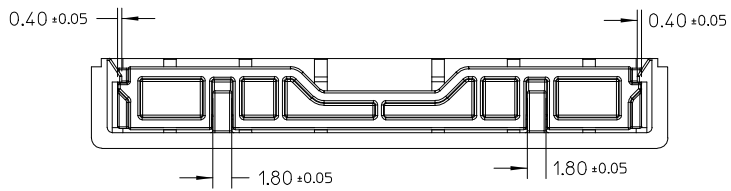
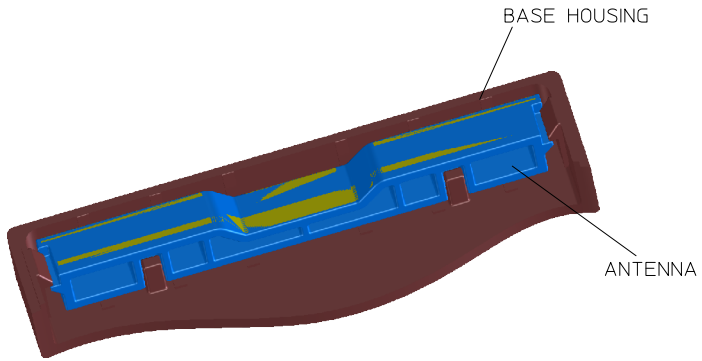
2. PLATING

Cu 12 MIN μM;
 MEDIUM PHOS-Ni 2 MIN μM ;



ENTER DESCRIPTION EC NO:ABU2011-0109 DRWN:COOPERZHOU CHK'D:ERIC SHI APPR: WELSON TAN	DESCRIPTION REV	QUALITY SYMBOLS	GENERAL TOLERANCES (UNLESS SPECIFIED)		DIMENSION STYLE		SCALE 2:1	DESIGN UNITS	THIRD ANGLE PROJECTION		
		▽=0	mm	INCH	DRAWN BY	DATE	TITLE				
		∇=0	4 PLACES ±	±	±	COOPER ZHOU	20110520	MOBILE TV ANTENNA AFTER TEST			
		▲=0	3 PLACES ±	±	±	CHECKED BY	DATE	MOLEX INCORPORATED			
ANGULAR ± °	2 PLACES ±	±	±	Eric shi	20110520						
DRAFT WHERE APPLICABLE MUST REMAIN WITHIN DIMENSIONS			APPROVED BY		DATE	DOCUMENT NO.		SHEET NO.			
			welson tan		20110520	SD-47951-001		2 OF 3			
			MATERIAL NO.		SEE THE TABLE OF SHEET1				THIS DRAWING CONTAINS INFORMATION THAT IS PROPRIETARY TO MOLEX INCORPORATED AND SHOULD NOT BE USED WITHOUT WRITTEN PERMISSION		
			SIZE		A3						

NOTE:
ASSY STRUCTURER ONLY FOR REFERENCE.



ENTER DESCRIPTION EC NO:ABU2011-0109 DRWN:COOPER ZHOU CHK:DERIC SHI APPR:WELSON TAN	QUALITY SYMBOLS	GENERAL TOLERANCES (UNLESS SPECIFIED)		DIMENSION STYLE	SCALE 2:1	DESIGN UNITS	THIRD ANGLE PROJECTION
	$\nabla_F=0$	mm	INCH	DRAWN BY	DATE	TITLE	
	$\nabla_F=0$	4 PLACES ±	±	COOPERZHOU	20110520	ASSY STRUCTURE(ONLY FOR REFERENCE)	
	$\nabla_F=0$	3 PLACES ±	±	CHECKED BY	DATE		
$\nabla_F=0$	2 PLACES ±	±	ERIC SHI	20110520	APPROVED BY	DATE	
	1 PLACE ±	±	WELSON TAN	20110520	MATERIAL NO.	DATE	
	ANGULAR ± °	DRAFT WHERE APPLICABLE MUST REMAIN WITHIN DIMENSIONS		SEE TABLE	MOLEX INCORPORATED		SHEET NO. 3 OF 3
REV A				SIZE A3	THIS DRAWING CONTAINS INFORMATION THAT IS PROPRIETARY TO MOLEX INCORPORATED AND SHOULD NOT BE USED WITHOUT WRITTEN PERMISSION		