

# IPC-7130

## Desktop/Wallmount Chassis with Dual SAS/SATA HDD Trays for ATX/MicroATX Motherboard

**NEW**



### Features

- Stylish design with 7 expansion slots in the rear
- Shock-resistant drive bay holds one 5.25" disk drive and three 3.5" disk drives (two 3.5" HDD trays and one internal 3.5" drive bay)
- Lockable front door prevents unauthorized access
- LED indicators and alarm notification for system fault detection, including Power, HDD, Temp, Fan
- Bidirectional options to mount chassis on the wall or workbench
- Optional PS/2 300 W/ 400 W power supply

CE FCC RoHS COMPLIANT PRODUCT

### Specifications

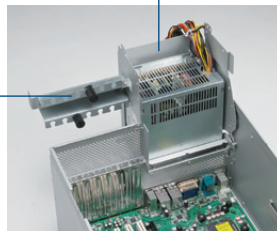
Disk Drive Bay	3.5"	Front-accessible	Internal
	5.25"	2 SAS / SATA HDDs	1
Cooling	Fan	1 (12 cm/85 CFM) + 1 (6 cm/27.7CFM)	
	Air Filters	Yes	
I/O Interface	USB	2 (Front accessible)	
Miscellaneous	LED Indicators	Power, fan, temperature, HDD	
	Front Panel	Power, HDD, Temp, Fan	
Environment	Temperature	Operating: 0 ~ 40° C (32 ~ 104° F)	Non-operating: -20 ~ 60° C (-4 ~ 140° F)
	Humidity	10 ~ 85 % @ 40° C, non-condensing	10 ~ 95 % @ 40° C, non-condensing
	Vibration (5-500 Hz)	0.5 G	2 G
	Shock	10 G (with 11 ms duration, half sine wave)	30 G
Physical Characteristics	Dimensions (W x H x D)	200 x 320 x 480 mm (7.9" x 12.6" x 18.9")	

### Inside view



Easy-to-maintain power supply bracket

Hold-down clamp



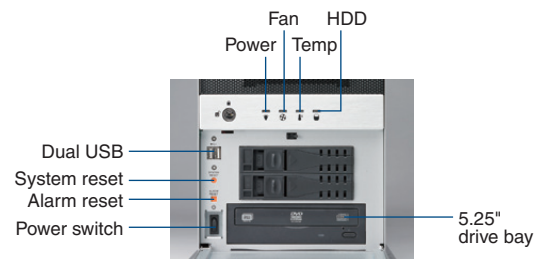
### Rear view



Easy-to-maintain reusable fan filter

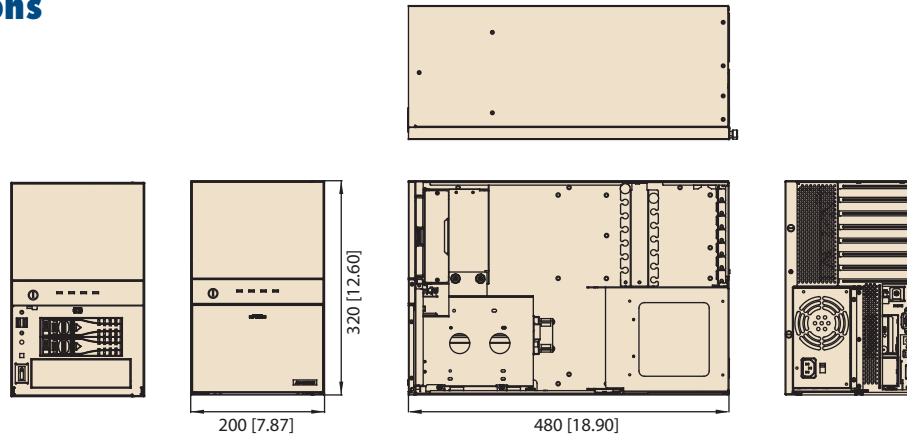


Dual SAS/SATA HDD trays



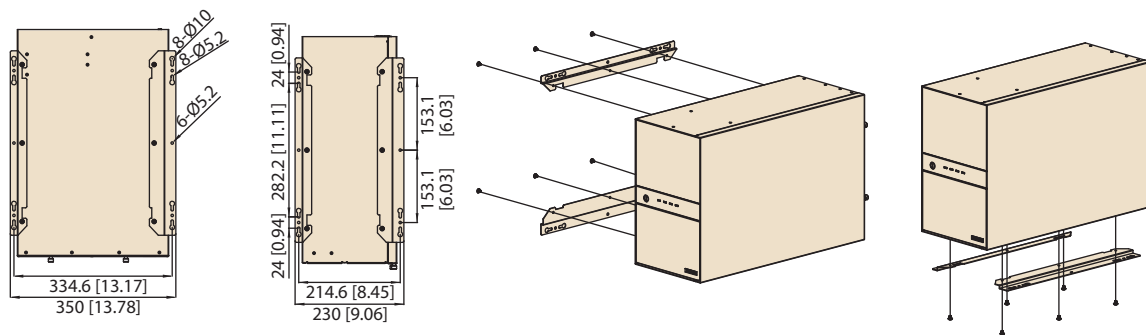
## Dimensions

Unit: mm [inch]



## Installation

Unit: mm [inch]



## Ordering Information

Part Number	Power Supply
IPC-7130-00XE	Without power supply, with ATX switch

## Optional Accessories

Part Number	Description
1750006427	87.87 CFM, system fan 120 x 120 x 25.0 mm
2130006149S000	Filter cover for IPC-6608 A1

## Power Supply Options

Part Number	Watt	Input
PS8-300ATX-ZBE (ATX,PFC)	300 W	AC 100 ~ 240 V (full range)
PS8-400ATX-ZE (ATX,PFC)	400 W	AC 100 ~ 240 V (full range)
RPS-300ATX-ZE (ATX, PFC) 1+1 (Redundant)	300 W	AC 100 ~ 240 V (full range)