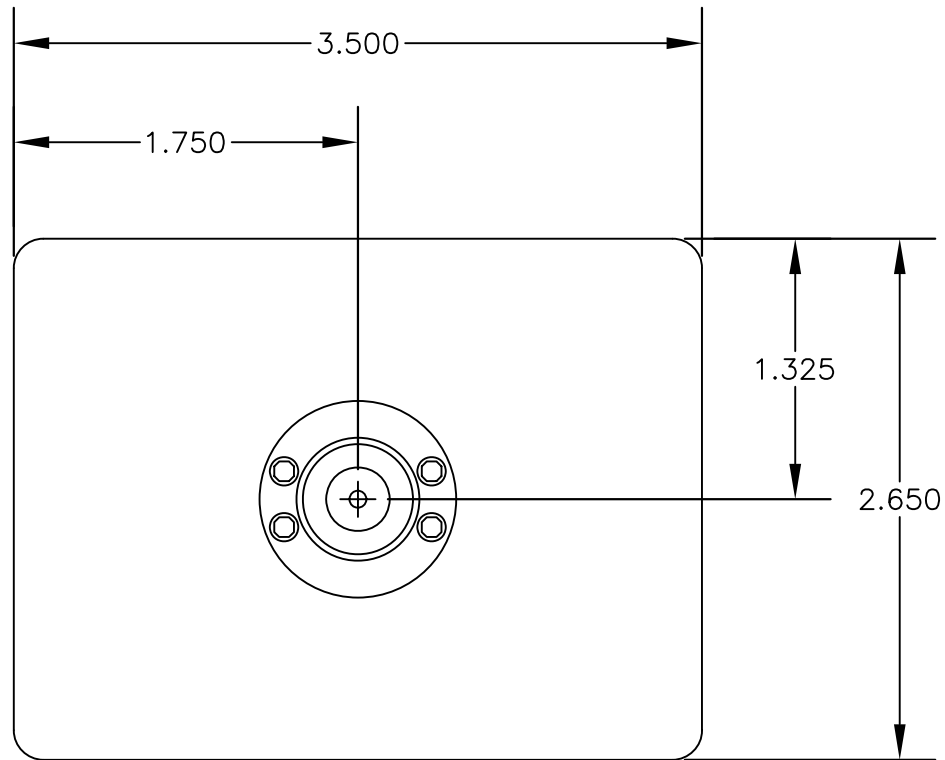
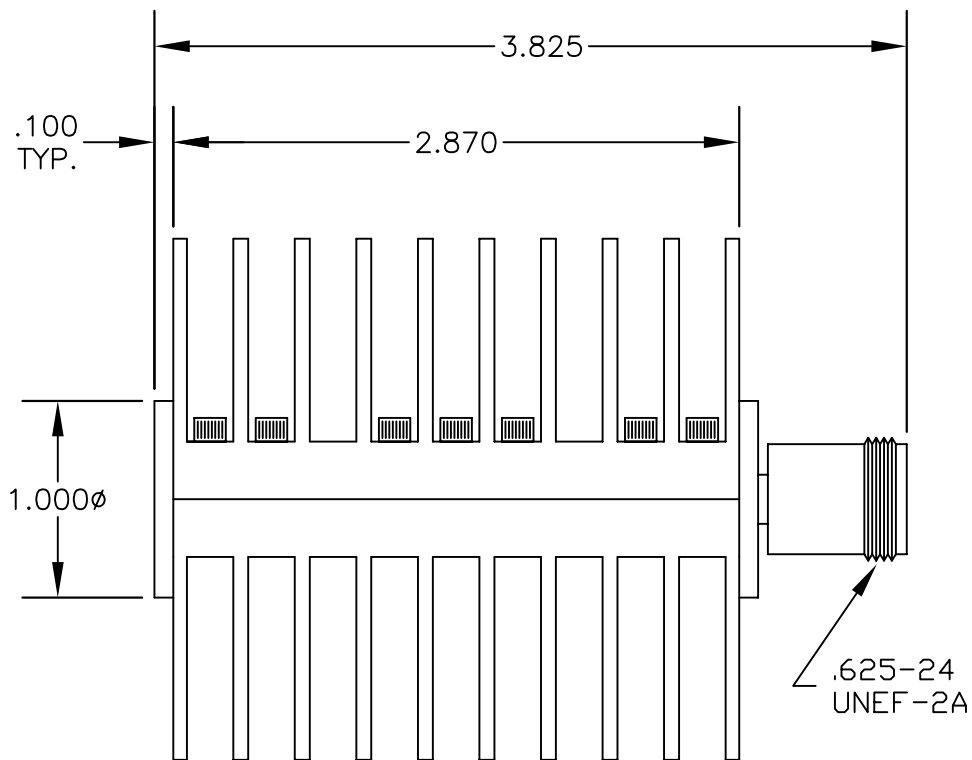


MATERIALS

CONNECTOR	PASSIVATED STAINLESS STEEL
CONTACT	GOLD PLATED
INSULATOR	PTFE
HEAT SINK	ANODIZED ALUMINUM



SPECIFICATIONS

FREQUENCY RANGE: DC TO 18 GHz
 POWER HANDLING CAPABILITY: 50 WATTS
 MAXIMUM VSWR: 1.45



PASTERNAK ENTERPRISES, INC.
 P.O BOX 16759, IRVINE, CA 92623
 PHONE (949) 261-1920 FAX (949) 261-7451
 WEB ADDRESS: www.pasternack.com
 E-MAIL ADDRESS: sales@pasternack.com
COAXIAL & FIBER OPTICS

DWG TITLE

PE6039

DES.

N FEMALE HIGH POWER TERMINATION
 FREQUENCY RANGE: DC TO 18 GHz

SIZE A

FSCM NO. 53919

CAD FILE

080902

SCALE N/A

127

NOTES:

1. UNLESS OTHERWISE SPECIFIED ALL DIMENSIONS ARE NOMINAL.
2. ALL SPECIFICATIONS ARE SUBJECT TO CHANGE WITHOUT NOTICE AT ANY TIME.