



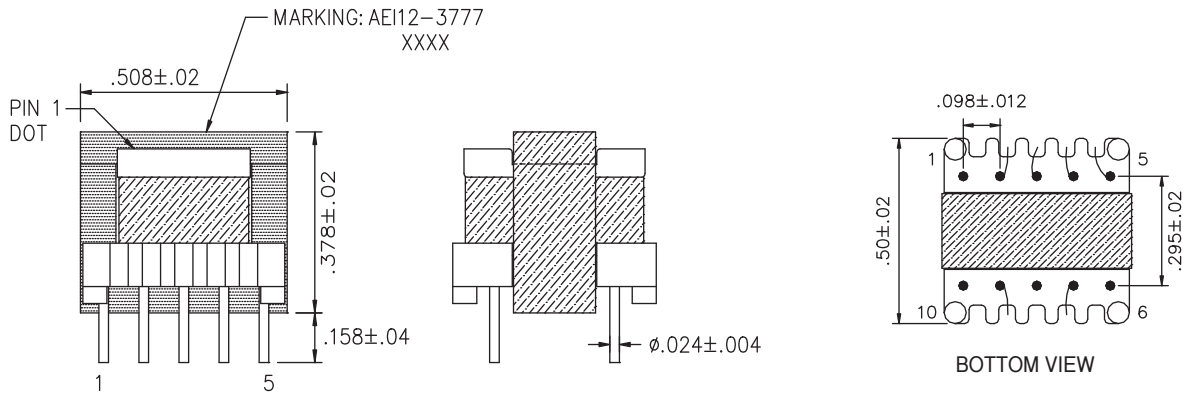
- EI12 Core Design
- 5 Pin Through Hole

Electrical Specifications @ 25°C				
INDUCTANCE @ 1KHZ/1V HP-4284A	DCR CH-502A	HI-POT TEST	INSULATION TEST	GAP
7 - 9 : 150mH Min	7 - 9 : 111.5 Ohm Max	PRI TO SEC : DC 100V 3mA FOR 1 MIN	PRI TO SEC & CORE:	CORE: NO GAP
	2 - 5 : .39 Ohm Max	COIL TO CORE : DC 100V 3mA FOR 1 MIN	100 MOHM MIN BY DC 100V	
	3 - 4 : 1.63 Ohm Max			

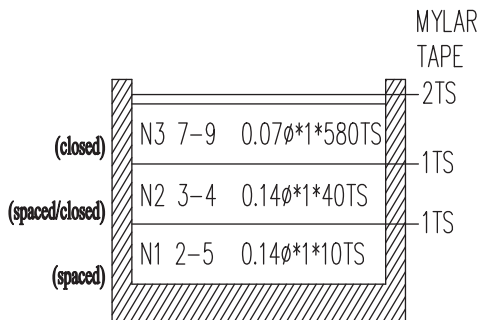
All specifications subject to change without notice.

MECHANICAL

DIMENSION:
UNIT: INCH



WINDING:



NOTE:
1. PIN 1 DOT.
2. CORE FIX TAPE 2TS.

SCHEMATIC:

