

16,384-word × 4 bit High Speed CMOS Static RAM

Description

The CXK5464P is a 65,536 bits high speed CMOS static RAM organized as 16,384 words by 4 bits and operates from a single 5V supply.

The CXK5464P is suitable for use in high speed and low power applications in which battery back up for nonvolatility is required.

Features

- Fast access time: 45 ns/55 ns/70 ns (Max.)
- Low power standby: 20 μ W (Typ.)—L-version
150 μ W (Typ.)—Standard version
- Low power operation: 275 mW (Typ.)
- Single +5V supply
- Fully static memory No clock or timing strobe required
- Equal access and cycle time
- Common data input and output: three-state output
- Directly TTL compatible: All inputs and outputs
- Low voltage data retention: 2.0V (Min.)

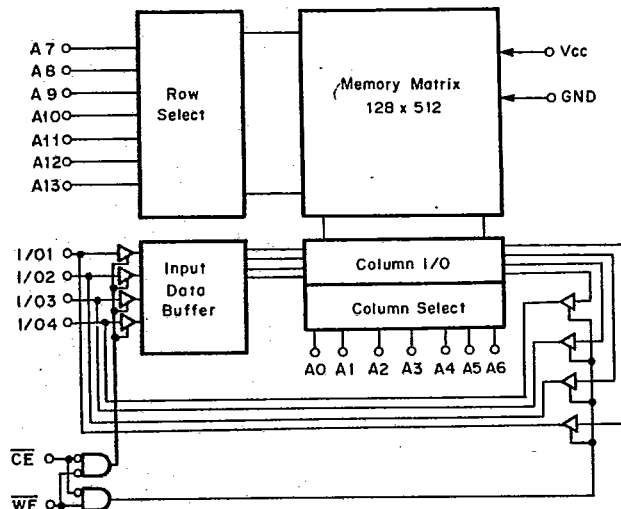
Structure

Silicon Gate CMOS IC

Function

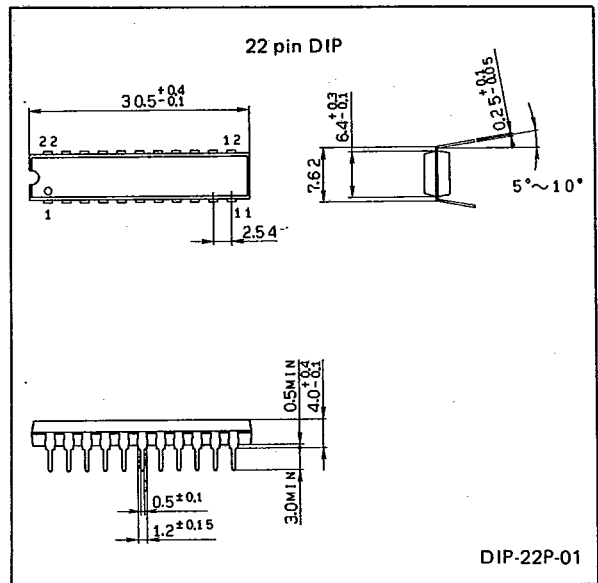
16,384-word × 4 bit static RAM

Block Diagram

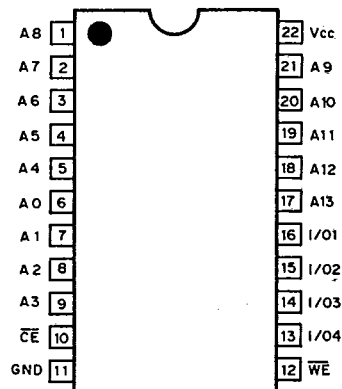


Package Outline

Unit: mm



Pin Configuration (Top View)



Symbol	Description
A0 to A13	Address Input
I/O 1 to I/O 4	Data Input Output
CE	Chip Enable Input
WE	Write Enable Input
Vcc	Power Supply
GND	Ground