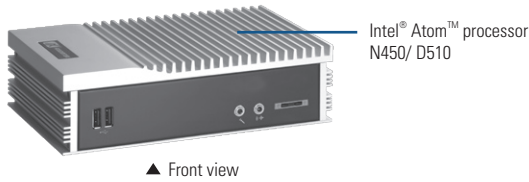


eBOX620-800-FL

Fanless Embedded System with Intel® Atom™ Processor N450/ D510 1.66 GHz and Dual Display Support (optional)



Specifications

Standard Color	Silver-Black
Construction	Aluminum extrusion and heavy-duty steel, IP40
CPU	Intel® Atom™ processor N450 1.66 GHz single core/ D510 1.66 GHz dual core
System Memory	1 x 200-pin DDR2 SO-DIMM (N450 supports DDR2-667 max. up to 2 GB, D510 supports DDR2-667/800 max. up to 2 GB)
Chipset	Intel® ICH8M
BIOS	AMI
System I/O Outlet	1 x RS-232/422/485 (COM 1) 2 x RS-232 (COM 2/3) 1 x VGA 1 x Audio (Mic-in/Line-out) 2 x 10/100/1000Mbps Ethernet 4 x USB 2.0 1 x VDC power input connector 1 x ATX power switch
Watchdog Timer	255 levels, 1 ~ 255 sec.
Storage	1 x 2.5" SATA HDD drive bay 1 x CompactFlash™ 2.0
Expansion Interface	1 x PCI Express Mini Card (USB + PCI Express signal)
System Indicator	1 x green LED for system power-on 1 x orange LED for HDD active
Power Supply	Screw type AC 60W adapter Input: AC 90-264V Output: DC12V@5A
Operating Temperature	-10°C ~ +50°C (14°F ~ 122°F) (with Atom™ D510 1.66 GHz, W.T. HDD) -10°C ~ +55°C (14°F ~ 131°F) (with Atom™ N450 1.66 GHz, W.T. HDD)
Storage Temperature	-20°C ~ +80°C (-4°F ~ +176°F)
Humidity	10% ~ 90% , non-condensing
Vibration Endurance	2 Grms with CF (5-500Hz, X, Y, Z directions)
Dimensions	200 mm (7.87") (W) x 120 mm (4.72") (D) x 56 mm (2.2") (H)
Weight (net/gross)	1.98 kg (4.36 lb)/2.6 kg (5.73 lb)
Certification	CE, EN60950 compliance
EOS Support	XPE, WinCE, Linux

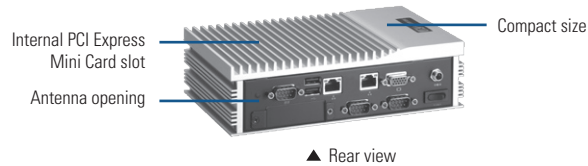
* XPE: Windows® XP Embedded

Packing List

- 1 x quick manual
- 1 x driver CD
- 1 x Y cable for PS/2 keyboard/mouse
- 1 x screw pack
- 4 x foot pad
- 1 x power adapter
- 1 x wall mount kit
- 1 x power cord

Features

- Intel® Atom™ processor N450/ D510 1.66 GHz onboard
- Intel® ICH8M chipset
- Supports 4 USB 2.0 ports and 3 COM ports
- Fanless operation design with full feature I/O
- 1 2.5" SATA drive bay and 1 CompactFlash™
- 1 internal PCI Express Mini Card slot



Power Protection

AC Version

- OVP (over voltage protection)
- SCP (short circuit protection)
- OPP (over power protection)

Ordering Information

Standard

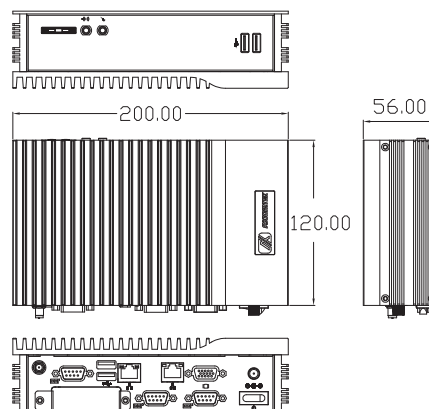
eBOX620-800-FL-D510	Fanless embedded system with Intel® Atom™ processor D510 1.66 GHz, VGA, AC 60W adapter, CF & HDD support, 4 USB, 2 RS-232 and 1 RS-232/422/485
eBOX620-800-FL-D510 w/o Logo	Fanless embedded system with Intel® Atom™ processor D510 1.66 GHz, VGA, AC 60W adapter, CF & HDD support, 4 USB, 2 RS-232, 1 RS-232/422/485 and w/o logo
eBOX620-800-FL-N450	Fanless embedded system with Intel® Atom™ processor N455 1.66 GHz, VGA, AC 60W adapter, CF & HDD support, 4 USB, 2 RS-232, 1 RS-232/422/485
eBOX620-800-FL-N450 w/o Logo	Fanless embedded system with Intel® Atom™ processor N455 1.66 GHz, VGA, AC 60W adapter, CF & HDD support, 4 USB, 2 RS-232, 1 RS-232/422/485 and w/o logo

Optional

2.5" SATA HDD	40 GB or above
2.5" SATA SSD	4 GB or above
DDR2 SODIMM	512 MB or above
CompactFlash	256 MB or above
Wifi+Bluetooth	
GPS module	
Graphic accelerator	
codec module	

*Specifications and certifications are based on options and may vary.

Dimensions



* All specifications and photos are subject to change without notice.