

# Aluminum Electrolytic Capacitors



MI Series (85°C, 7mmL)

MERITEK

## FEATURES

- For general purposes series with 7mm height.

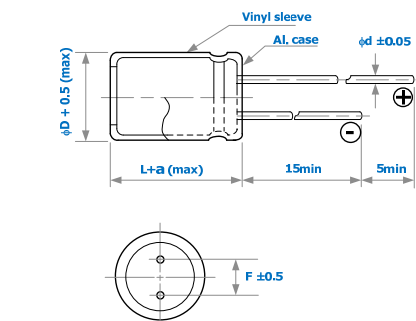
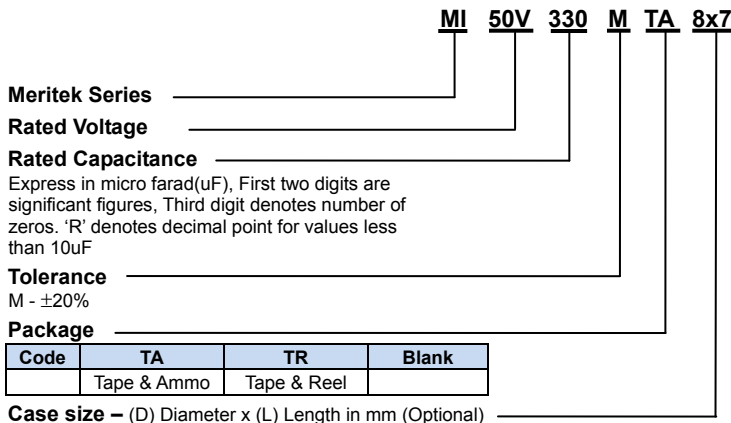


## SPECIFICATIONS

Item	Characteristic								
Operating Temp Range	- 40 ~ +85°C								
Rated Working Voltage	4 ~ 63VDC								
Capacitance Tolerance (120Hz 20°C)	± 20%(M)								
Leakage Current (20°C)	I ≤ 0.01CV or 3 (μA) * Whichever is greater after 2 minutes						I : Leakage Current (μA) C : Rated Capacitance(μF) V : Working Voltage (V)		
Surge Voltage (20°C)	W.V.	4	6.3	10	16	25	35	50	63
	S.V.	5	8	13	20	32	44	63	79
Dissipation Factor ( tan δ ) (120Hz 20°C)	W.V.	4	6.3	10	16	25	35	50~63	
	tan δ	0.35	0.24	0.20	0.16	0.14	0.12	0.10	
Low Temperature Stability	Impedance ratio at 120Hz								
	Rated Voltage (V)	4	6.3	10	16	25	35	50~63	
	-25°C / +20°C	6	4	3	2	2	2	2	
	-40°C / +20°C	12	8	6	4	4	3	3	
Load Life	After 1000 hours application of W.V. and +85°C ripple current value , the capacitor shall meet the following limits. ( DC + ripple peak voltage ≤ rated working voltage )								
	Capacitance Change	≤ ±20% of initial.							
	Dissipation Factor	≤ 200% of initial specified value							
	Leakage Current	≤ initial specified value							
Shelf Life	At +85°C no voltage application after 1000 hours the capacitor shall meet the limits for load life characteristics. ( with voltage treatment )								

## PART NUMBER SYSTEM

## DIMENSIONS (mm)



φD	4	5	6.3	8
F	1.5	2.0	2.5	3.5
d	0.45	0.45	0.45	0.50
a	1.0	1.0	1.0	1.0

# Aluminum Electrolytic Capacitors



MI Series  
(85°C, 7mmL)

MERITEK

## CASE SIZE & MAX RIPPLE CURRENT

Case size : DxL (mm)  
Max. ripple current : mA(rms) 85°C 120Hz

Cap. (uF)	V Item	4		6.3		10		16		25		35		50		63	
		DxL	R.C.	DxL	R.C.	DxL	R.C.	DxL	R.C.	DxL	R.C.	DxL	R.C.	DxL	R.C.	DxL	R.C.
0.1													→	4x7	4	4x7	4
0.22													→	4x7	6	4x7	6
0.33													→	4x7	7	4x7	7
0.47													→	4x7	8	4x7	8
1.0													→	4x7	12	4x7	12
2.2													→	4x7	18	4x7	18
3.3										→	4x7	20	4x7	22	5x7	25	
4.7								→	4x7	22	4x7	24	4x7	26	6.3x7	34	
10						→	4x7	30	4x7	32	5x7	39	6.3x7	49	6.3x7	49	
22			→	4x7	36	4x7	40	4x7	44	5x7	55	6.3x7	65	8x7	85		
33		4x7	37	4x7	44	4x7	49	5x7	60	6.3x7	75	8x7	95	8x7	100		
47		4x7	44	5x7	60	5x7	65	5x7	75	8x7	100	8x7	110				
100		5x7	70	6.3x7	100	6.3x7	110	6.3x7	120	8x7	150						
220		6.3x7	120	8x7	170	8x7	190	8x7	210								
330		8x7	170	8x7	210												

All blank voltage on sleeve marking is the same voltage as “→” point to.