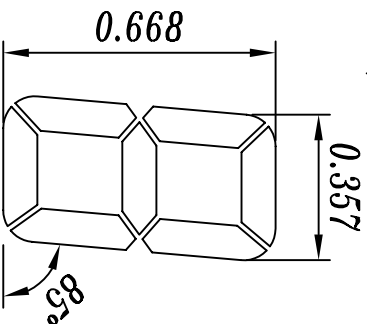


PIN NO	1	2	3	4	5	6	7	8	9	10	11	12	13	14
SEGMENT	CDM				1E	1D	1C	DP1	2E	2D	2C	DP2	3E	3D
PIN NO	15	16	17	18	19	20	21	22	23	24	25	26	27	28
SEGMENT	3C	DP3	4E	4D	4C	4B	4A	4F	4G	3B	3A	3F	3G	COL
PIN NO	29	30	31	32	33	34	35	36	37	38	39	40		
SEGMENT	2B	2A	2F	2G		1B	1A	1F	1G			CDM		



- NOTE:
1. STATIC
 2. VOLTAGE: 3-5V
 3. CONNECTION: PIN

REV.	DESCRIPTION	BY	DATE
DRAWN BY: JHD		DRAWN NO.:	
CHECKED BY:		SCALE:	
APPROVED BY:		UNIT: Inch	
LCD NO.: JH009		REV.:	
DATE:	SHEET 1	OF	1