

**INFRA-RED**

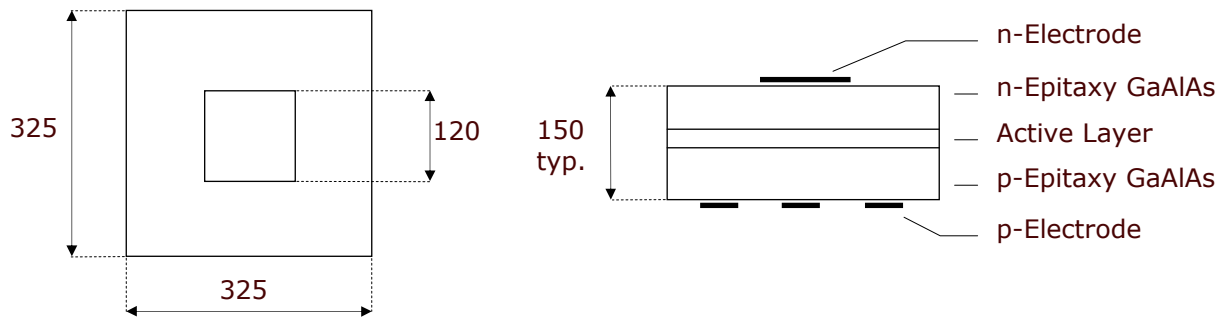
**Item No.: 127141 D**

1. This specification applies to GaAlAs / GaAlAs LED Chips (substrate removed)
2. Structure
  - 2.1 Mesa structure
  - 2.2 Electrodes
 

p-side (anode)	Au alloy
n-side (cathode)	Au alloy

Wire bond contacts can also have a spider shape

3. Outlines (dimensions in microns)



4. Electrical and optical characteristics (T=25°C)

Parameter	Symbol	Conditions	min	typ	max	Unit
Forward voltage	$V_F$	$I_F = 20 \text{ mA}$	1,60	1,85	1,95	V
Reverse voltage	$V_R$	$I_R = 10 \text{ }\mu\text{A}$	5			V
output Power *	$\Phi_e$	$I_F = 20 \text{ mA}$	2,5	3,0	4,0	mW
Peak wavelength	$\lambda_p$	$I_F = 20 \text{ mA}$	719	724	729	nm
Switching time	$t_r, t_f$	$I_F = 20 \text{ mA}$		40/30		ns
1/2 band width	$\Delta \lambda$	$I_F = 20 \text{ mA}$		25	29	ns

Power measurement at OSA on gold plate

5. Packing

Dice on adhesive film with 1) wire bond side on top  
2) back contact on top

6. Labeling

Type	Lot No.	$\Phi_e$ typ min max	Quantity