

## 3 AMP SCHOTTKY BARRIER RECTIFIERS

### FEATURES

- Metal semiconductor junction with guard ring
- Epitaxial Construction
- Low forward voltage drop
- High current capacity
- For use in low voltage, high frequency inverters, free wheeling, and polarity protection applications

### RoHS COMPLIANT

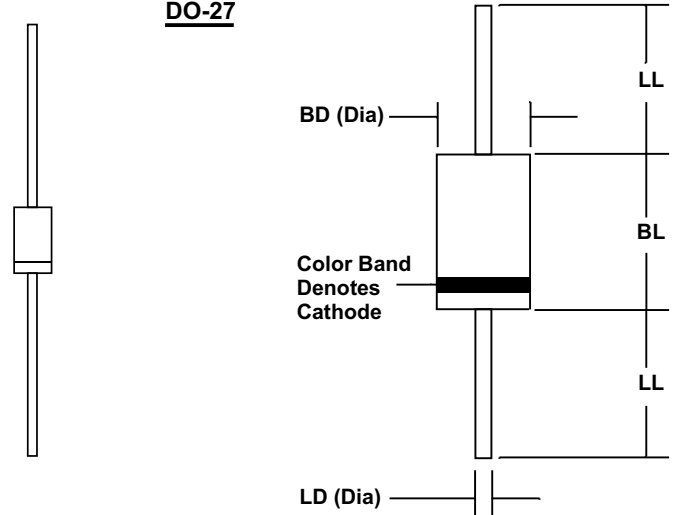
### MECHANICAL DATA

- Case: JEDEC DO-27 molded epoxy (U/L Flammability Rating 94V-0)
- Terminals: Plated axial leads
- Solderability: Per MIL-STD 202 Method 208 guaranteed
- Polarity: Color band denotes cathode
- Mounting Position: Any
- Weight: 0.04 Ounces (1.12 Grams)

### MECHANICAL SPECIFICATION

ACTUAL SIZE OF  
DO-27 PACKAGE

SERIES SK302 - SK310



Sym	Minimum		Maximum	
	In	mm	In	mm
BL			0.365	9.28
BD			0.205	5.2
LL	1.00	25.4		
LD	0.048	1.2	0.052	1.3

### MAXIMUM RATINGS & ELECTRICAL CHARACTERISTICS

Ratings at 25 °C ambient temperature unless otherwise specified.  
 Single phase, half wave, 60Hz, resistive or inductive load.  
 For capacitive loads, derate current by 20%.

PARAMETER (TEST CONDITIONS)	SYMBOL	RATINGS					UNITS
		SK302	SK304	SK306	SK307	SK310	
Series Number		SK302	SK304	SK306	SK307	SK310	
Maximum DC Blocking Voltage	V <sub>RM</sub>	20	40	60	70	100	VOLTS
Maximum RMS Voltage	V <sub>RMS</sub>	14	28	42	49	70	
Maximum Peak Recurrent Reverse Voltage	V <sub>RRM</sub>	20	40	60	70	100	
Average Forward Rectified Current @ T <sub>L</sub> = 90 °C (T <sub>L</sub> measured on cathode lead, 1/32 in. from case))	I <sub>O</sub>	3					AMPS
Peak Forward Surge Current ( 8.3mS single half sine wave superimposed on rated load)	I <sub>FSM</sub>	120				100	
Maximum Forward Voltage at 3 Amps DC	V <sub>FM</sub>	0.5		0.7		0.8	VOLTS
Maximum Average DC Reverse Current At Rated DC Blocking Voltage (Note 1)	I <sub>RM</sub>	0.5					mA
		20					
Typical Thermal Resistance, Junction to Ambient	R <sub>θJA</sub>	20					°C/W
Typical Junction Capacitance (Note 2)	C <sub>J</sub>	250					pF
Junction Operating Temperature Range	T <sub>J</sub>	-65 to +125				-65 to +150	°C
Storage Temperature Range	T <sub>STG</sub>	-65 to +150					

NOTES: (1) Lead temperature reference is cathode lead 1/32 in from case.  
 (2) Measured at 1MHz & applied reverse voltage of 4 volts



### 3 AMP SCHOTTKY BARRIER RECTIFIERS

#### RATING & CHARACTERISTIC CURVES FOR SERIES SK302 - SK310

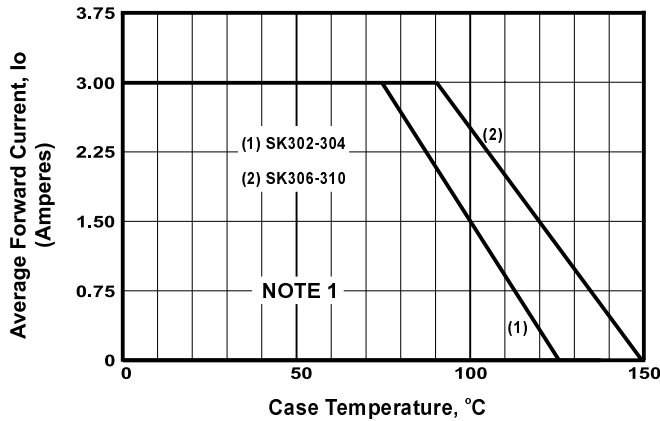


FIGURE 1. FORWARD CURRENT DERATING CURVE

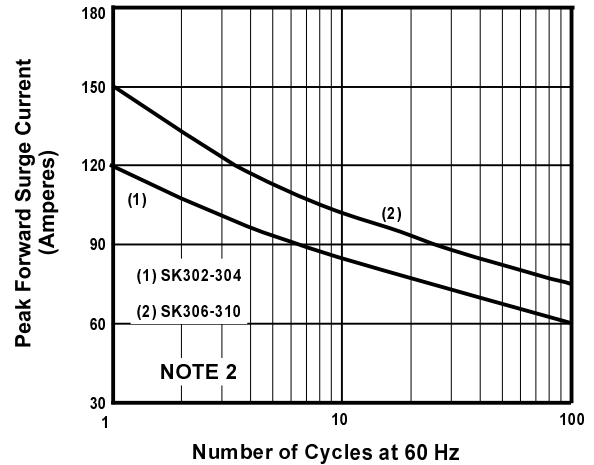


FIGURE 2. MAXIMUM NON-REPETITIVE SURGE CURRENT

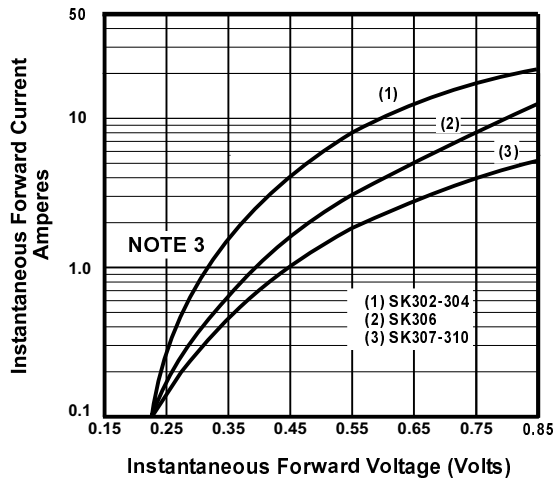


FIGURE 3. TYPICAL FORWARD CHARACTERISTICS

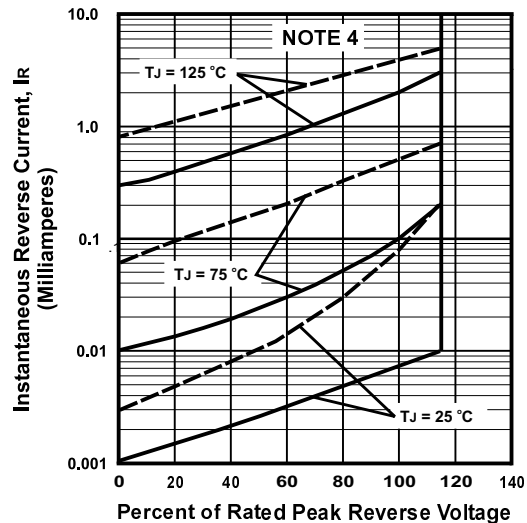


FIGURE 4. TYPICAL REVERSE CHARACTERISTICS

**NOTES**

- (1) Single Phase, Half Wave, 60 Hz, Resistive or Inductive Load, 0.375" (9mm) Lead Length
- (2) JEDEC Method, 8.3 mSec. Single Half Sine Wave, Tc = 95 °C
- (3) T<sub>J</sub> = 25 °C, Pulse Width = 300 μSec, 2.0% Duty Cycle
- (4) Legend for Figure 4, Typical Reverse Characteristics:

----- SK302-306  
 \_\_\_\_\_ SK307-310