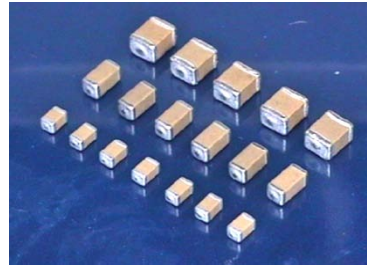


TCX Series Trigger Capacitors for Strobe Circuits



The TCX series is specifically designed with a proprietary material for discharge applications such as strobe circuit applications. The unique properties of the X7E material and the design of the TCX series makes them suitable for any discharge application which requires the capacitor to have a good damping characteristic. This series is also suitable for applications requiring a minimum change in capacitance over temperature (T/C). The TCX series is offered in sizes 0805, 1206 and 1210 and at 350Vdc and 630Vdc.

◆ Features

- Excellent trigger characteristics.
- Low ESR & low tan δ.
- Excellent DC bias.
- Provide good damping characteristics results in more light.
- RoHS compliant.

◆ Applications

- Suitable for strobe trigger circuit in digital and electric cameras.

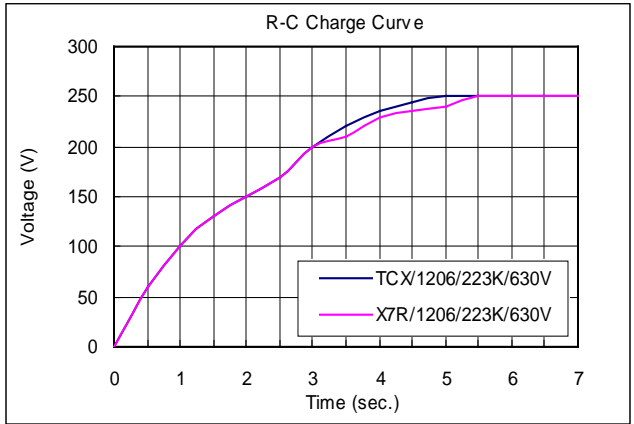
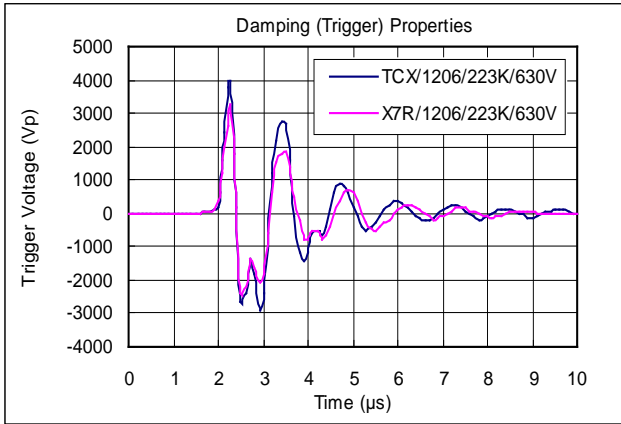
◆ Summary of Specifications

Operating Temperature	-55~+125 °C
Rated Voltage	350Vdc and 630Vdc
Temperature Coefficient	X7E : ≤ ± 4.7% , -55~+125 °C (EIA Class II)
Capacitance Range	1.0nF to 100nF
Dissipation Factor	1.0% max. at 1KHz 25°C
Insulation Resistance	10GΩ or 500/C Ω whichever is smaller (C in Farad)
Dielectric Strength	350Vdc : 200% Rated Voltage
	650Vdc : 150% Rated Voltage
Capacitance Tolerance	± 5% , ± 10% , ± 20%
Ageing	1.0% per decade hr, typical

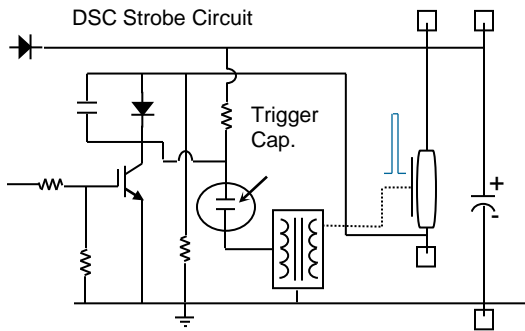
◆ How To Order

TCX	1206	C	223	K	631	T
Product Code	Chip Size	Dielectric	Capacitance Unit : pF	Tolerance	Rated Voltage	Packaging
TCX : Trigger Capacitor	Ex. : 0805 1206 1210	C : X7E	Ex. : 102 : 10×10 ² 473 : 47×10 ³	Ex. : J : +/- 5% K : +/- 10% M : +/- 20%	Ex. : 351 : 350Vdc 631 : 630Vdc	T : Tape & Reel B : Bulk

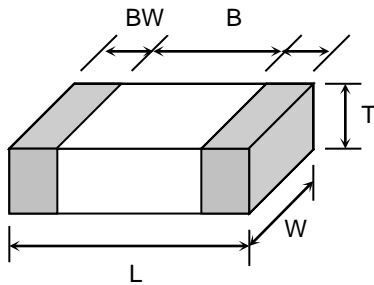
◆ Characteristics



◆ Application Example Circuit



◆ Dimensions



Unit : mm [inches]

TYPE	L	W	T (max)	B (min)	BW (min)
0805	2.00±0.2 [.079±.008]	1.25±0.2 [.049 ±.008]	1.45 [.057]	0.70 [.028]	0.20 [.008]
1206	3.20±0.3 [.126±.012]	1.60±0.2 [.063±.008]	1.80 [.071]	1.50 [.059]	0.30 [.012]
1210	3.20±0.3 [.126±.012]	2.50±0.2 [.098±.008]	1.80 [.071]	1.60 [.063]	0.30 [.012]

◆ Capacitance Range

Dielectric Characteristic	Size	Voltage	Capacitance Range																											
			102	122	152	182	222	272	332	392	472	562	682	822	103	123	153	183	223	273	333	393	473	563	683	823	104	154	224	
X7E	0805	350V	C	C	C	C	C	C	C	C	C	C	C	C	C	C	C	D	D	D										
		350V																	C	C	C	C	D	D	D	E	E	F		
	630V																													
	1210	630V																												

Symbol Code	S	O	A	B	C	D	E	F	G	H
Thickness(mm)	0.3±0.03	0.5±0.05	0.6±0.1	0.85±0.1	1.0±0.1	1.25±0.15	1.6±0.2	2.0±0.2	2.4±0.2	2.8±0.2

■ Other dimensions, capacitance values and voltage ratings are available. Please contact HEC.