



# TAI-SAW TECHNOLOGY CO., LTD.

No. 3, Industrial 2nd Rd., Ping-Chen Industrial District,  
Taoyuan, 324, Taiwan, R.O.C.

TEL: 886-3-4690038 FAX: 886-3-4697532

E-mail: [tstsales@mail.taisaw.com](mailto:tstsales@mail.taisaw.com) Web: [www.taisaw.com](http://www.taisaw.com)

## Approval Sheet For Product Specification

Issued Date: May, 11, 2005

Product Name: SAW Filter 1542.5 MHz SMD 2.5X2.0 mm

TST Parts No.: TA0425A

Customer Parts No.: \_\_\_\_\_

Company: \_\_\_\_\_

Division: \_\_\_\_\_

Approved by : \_\_\_\_\_

Date: \_\_\_\_\_

Checked by: \_\_\_\_\_ Bob Chau

Approval by: \_\_\_\_\_ Francis Chen

Date: \_\_\_\_\_ 5,11,2005



# TAI-SAW TECHNOLOGY CO., LTD.

No. 3, Industrial 2nd Rd., Ping-Chen Industrial District,  
Taoyuan, 324, Taiwan, R.O.C.

TEL: 886-3-4690038 FAX: 886-3-4697532

E-mail: [tstsales@mail.taisaw.com](mailto:tstsales@mail.taisaw.com) Web: [www.taisaw.com](http://www.taisaw.com)

## SAW Filter 1542.5 MHz

MODEL NO.: TA0425A

REV. NO.:1

### A1. MAXIMUM RATING:

1. Input Power Level: 5 dBm
2. DC Voltage: 5V
3. Operating Temperature: +25°C
4. Storage Temperature: -40°C ~ +85°C

RoHS Compliant  
Lead free  
Lead-free soldering

### B1. ELECTRICAL CHARACTERISTICS :

Singled to Balanced operation

Terminating source impedance :  $Z_s = 50 \Omega$

Terminating load impedance :  $Z_L = 150 \Omega // 33 \text{ nH}$

Item	Value			Note
	Min.	Typ.	Max.	
<b>Center frequency</b> $F_c$ (MHz)	-	1542.5	-	-
<b>Insertion loss</b> (1525~1560 MHz) <b>I.L.</b> (dB)	-	3.1	4.0	-
<b>Amplitude Ripple</b> (1525~1560 MHz) (dB)	-	0.4	2.0	-
<b>Attenuation:</b> ( Reference level from 0 dB)				
DC ~ 1480 MHz (dB)	21	44	-	-
1630 ~ 1660 MHz (dB)	26	34	-	-
1660 ~ 2050 MHz (dB)	30	35	-	-
2050 ~ 3500 MHz (dB)	25	50	-	-

**A2. MAXIMUM RATING:**

- 1. Input Power Level: 5 dBm
- 2. DC Voltage: 5V
- 3. Operating Temperature: -10°C ~ +75°C
- 4. Storage Temperature: -40°C ~ +85°C

**B2. ELECTRICAL CHARACTERISTICS :**

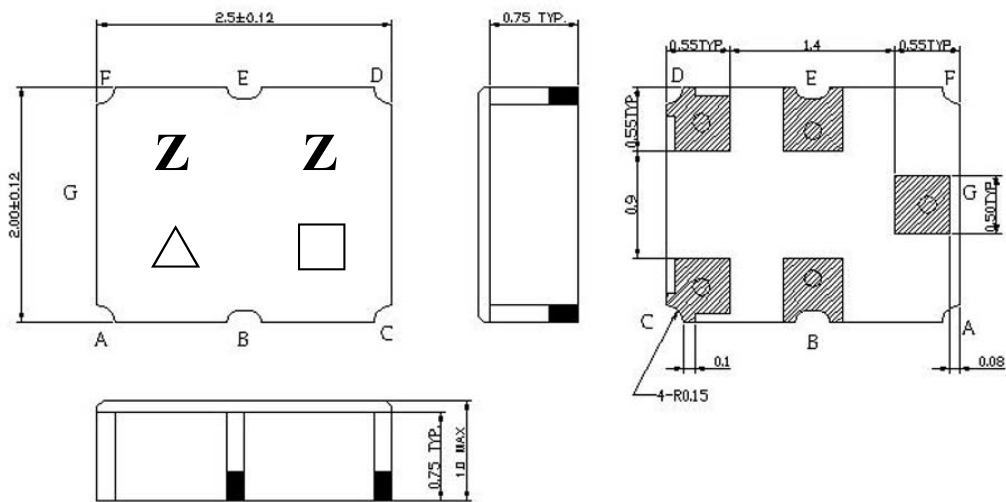
Singled to Balanced operation

Terminating source impedance :  $Z_s = 50 \Omega$

Terminating load impedance :  $Z_L = 150 \Omega // 33 \text{ nH}$

Item	Value			Note
	Min.	Typ.	Max.	
<b>Center frequency</b> $F_c$ (MHz)	-	1542.5	-	-
<b>Insertion loss</b> (1525~1560 MHz) <b>I.L.</b> (dB)	-	3.3	4.2	-
<b>Amplitude Ripple</b> (1525~1560 MHz) (dB)	-	0.7	2.0	-
<b>Attenuation:</b> ( Reference level from 0 dB)				
DC ~ 1480 MHz (dB)	21	41	-	-
1630 ~ 1660 MHz (dB)	26	34	-	-
1660 ~ 2050 MHz (dB)	30	35	-	-
2050 ~ 3500 MHz (dB)	25	50	-	-

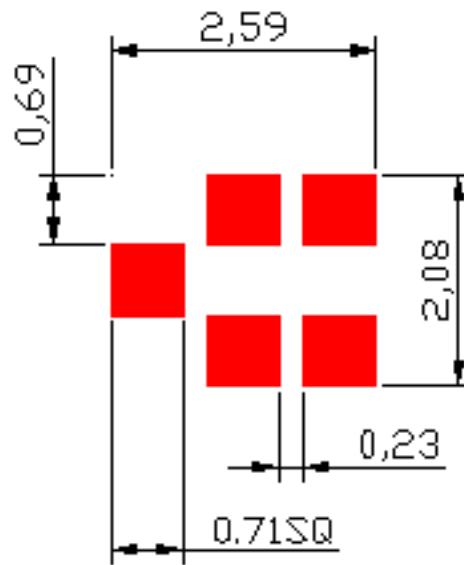
### C. OUTLINE DRAWING:



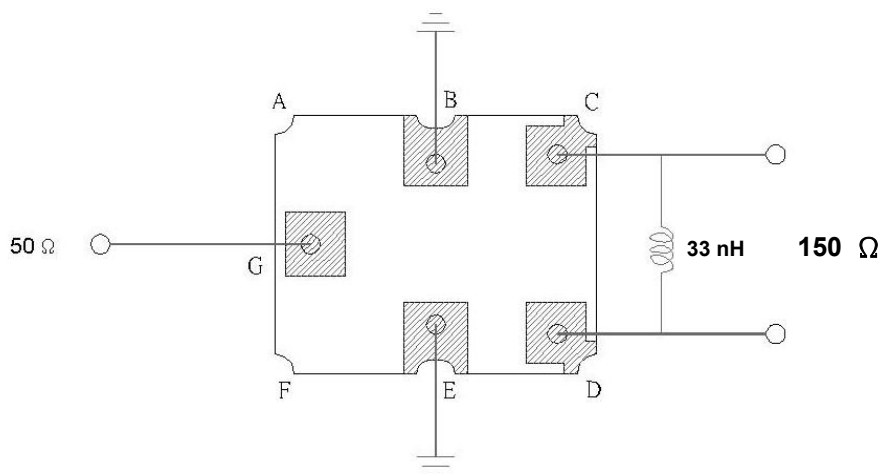
### Pin configuration

- G : Unbalance input
- C,D : Balance output
- B,E : Ground
- △ : Year code
- : Date code
- Unit : mm

**D. PCB Footprint:**

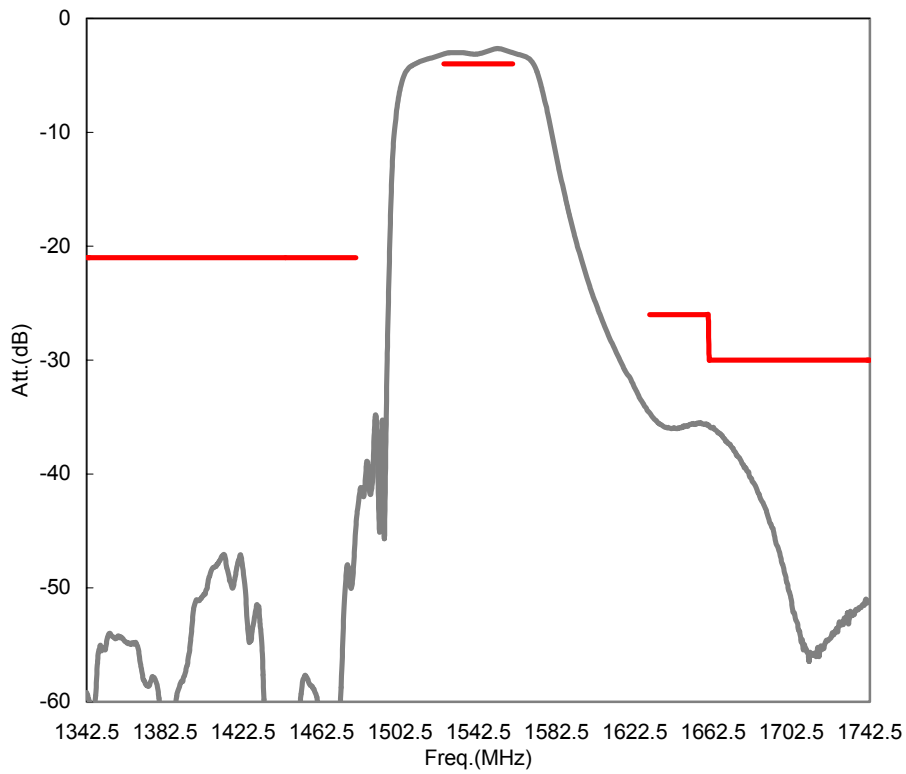
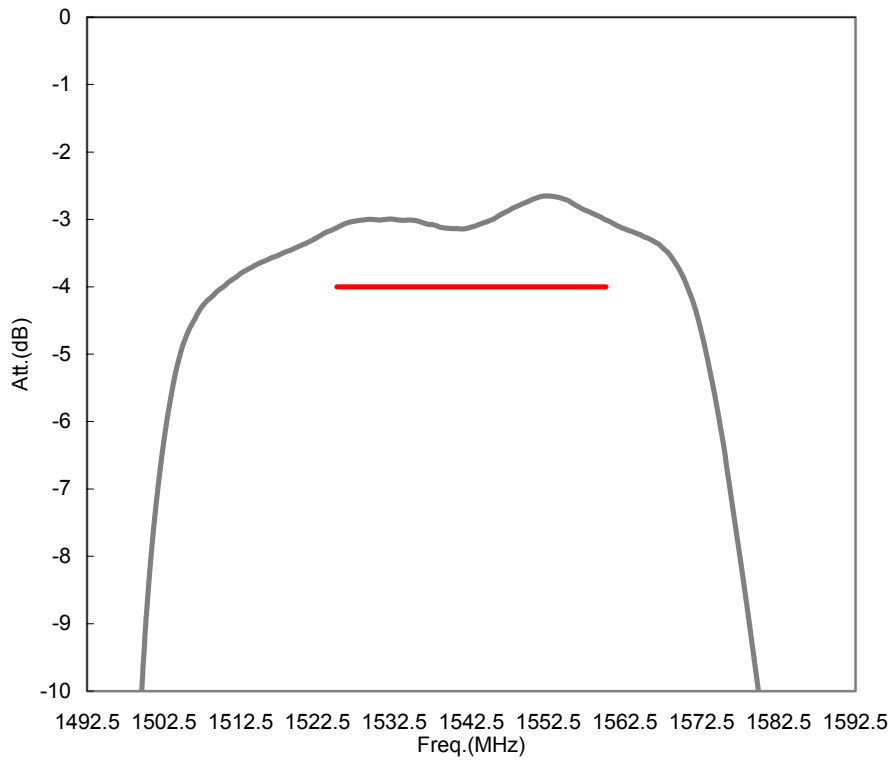


**E. MEASUREMENT CIRCUIT:**

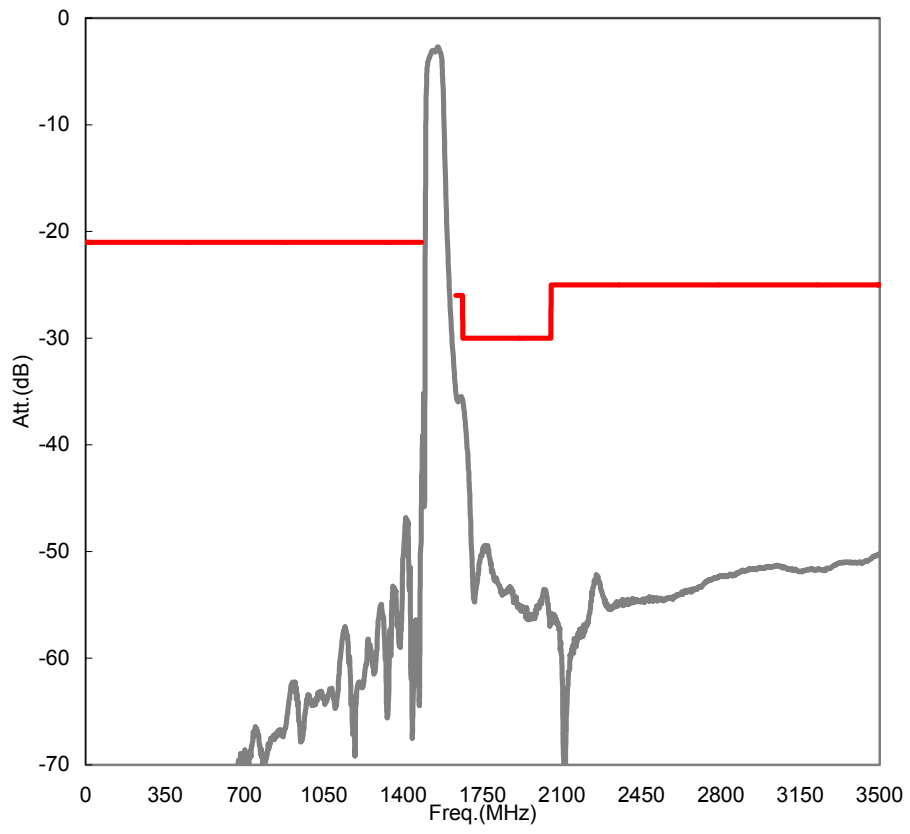


## F. FREQUENCY CHARACTERISTICS:

### 1. Transfer function (25 °C)

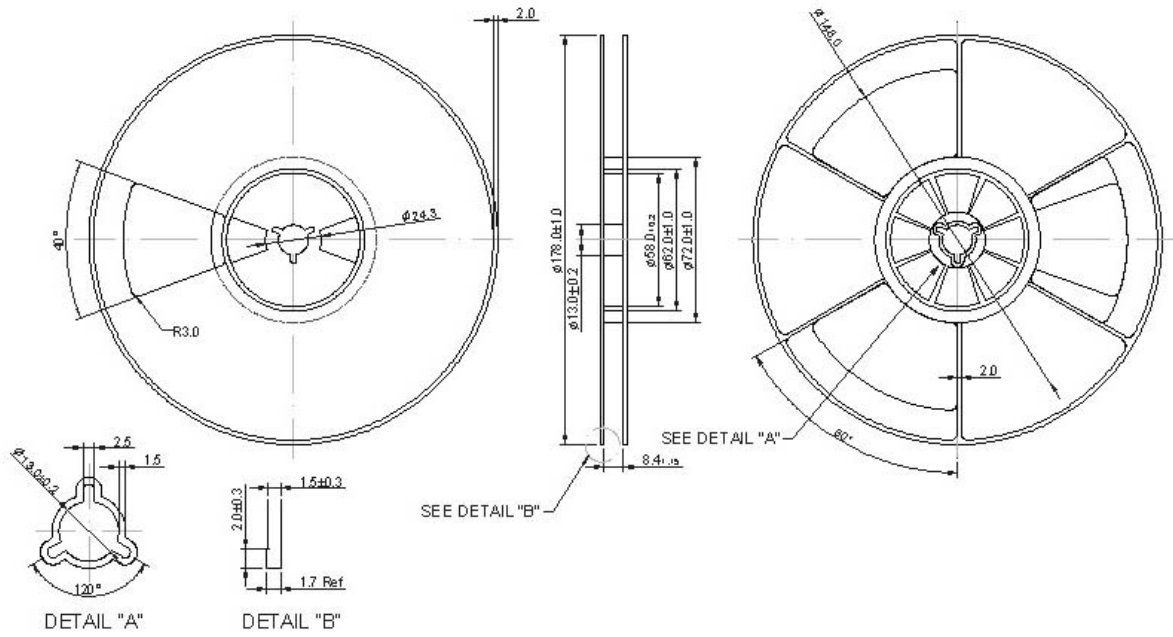


## 2. wideband



## G. PACKING:

### 1. REEL DIMENSION



### 2. TAPE DIMENSION

