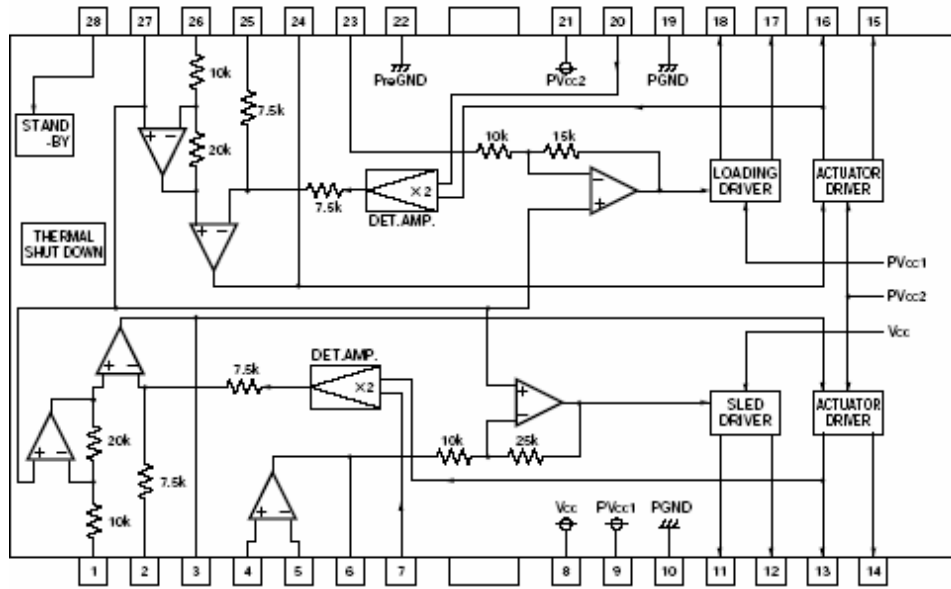


PT7954:



Pin No	symbol	Description	Pin NO	Symbol	Description
1	VINF	FOCUS DRIVE INPUT	15	VOTK+	Tracking drive output (+)
2	CFCerr1	Error-amplifier filter condenser	16	VOTK-	Tracking drive output (-)
3	CFCerr2	Error-amplifier filter condenser	17	VOLD+	Loader drive output(+)
4	VinSL+	Operational amplifier input of sled drive	18	VOLD-	Loading drive output(-)
5	VinSL-	Operational amplifier input of sled drive	19	PGND	Power GND
6	VOSL	Operational amplifier output of sled drive	20	VNFTK	Tracking driver feedback end
7	VNFFC	Focus drive	21	PVcc2	
8	Vcc	Pre Vcc, Sled drive Vcc	22	PreGND	preGND
9	PVcc1	Loading drive output	23	VinLD	Loading drive input
10	PGND	Power GND	24	CTKerr2	Error - amplifier filter condenser
11	VOSL-	Sled drive output	25	CTKerr1	Error - amplifier filter condenser
12	VOSL+	Sled drive output	26	VINTK	Tracking drive input
13	VOFC-	Focus drive output	27	BIAS	Bias input
14	VOFC+	Focus drive output	28	STBY	Standby end