

PLEASE CHECK WWW.MOLEX.COM FOR LATEST PART INFORMATION

Part Number: **0546840804**
Status: **Active**
Description: 0.40mm (.016") Pitch Board-to-Board SlimStack™ Receptacle, Surface Mount, Dual Row, Vertical Stacking, 3.50mm (.138") Stacking Height, 80 Circuits

Documents:

[3D Model](#)
[Drawing \(PDF\)](#)
[Product Specification PS-54684-006 \(PDF\)](#)
[Product Specification PS-54684-008 \(PDF\)](#)
[RoHS Certificate of Compliance \(PDF\)](#)

General

Product Family	PCB Receptacles
Series	54684
Application	Board-to-Board
Product Name	SlimStack™

Physical

Circuits (Loaded)	80
Color - Resin	Brown
Durability (mating cycles max)	30
Glow-Wire Compliant	No
Mated Height (in)	0.138 In
Mated Height (mm)	3.50 mm
Material - Metal	Phosphor Bronze
Material - Plating Mating	Gold
Material - Plating Termination	Gold
Material - Resin	High Temperature Thermoplastic
Number of Rows	2
Orientation	Vertical
PCB Locator	No
PCB Retention	None
Packaging Type	Embossed Tape on Reel
Pitch - Mating Interface (in)	0.016 In
Pitch - Mating Interface (mm)	0.40 mm
Plating min: Mating (µin)	4
Plating min: Mating (µm)	0.1
Plating min: Termination (µin)	2
Plating min: Termination (µm)	0.05
Polarized to PCB	No
Surface Mount Compatible (SMC)	N/A
Temperature Range - Operating	-25°C to +105°C
Termination Interface: Style	Surface Mount

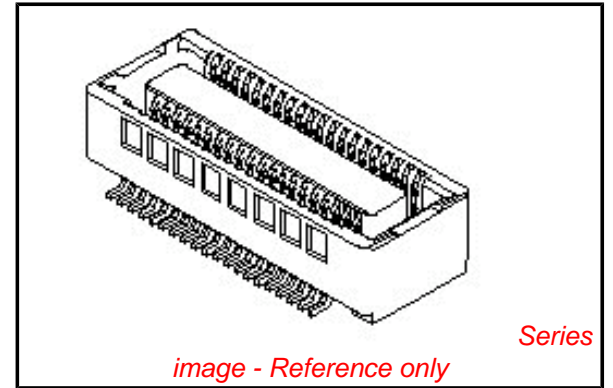
Electrical

Current - Maximum per Contact	0.3A
Voltage - Maximum	30V

Material Info

Reference - Drawing Numbers

Packaging Specification	SPK-54684-001
Product Specification	PS-54684-006, PS-54684-008, RPS-54684-013, RPS-54684-015
Sales Drawing	SD-54684-011, SD-54684-012



EU RoHS

ELV and RoHS Compliant
REACH SVHC
 Not Reviewed
Halogen-Free
Status

China RoHS



Not Reviewed

Need more information on product environmental compliance?

Email productcompliance@molex.com
 For a multiple part number RoHS Certificate of Compliance, [click here](#)

Please visit the [Contact Us](#) section for any non-product compliance questions.

Search Parts in this Series

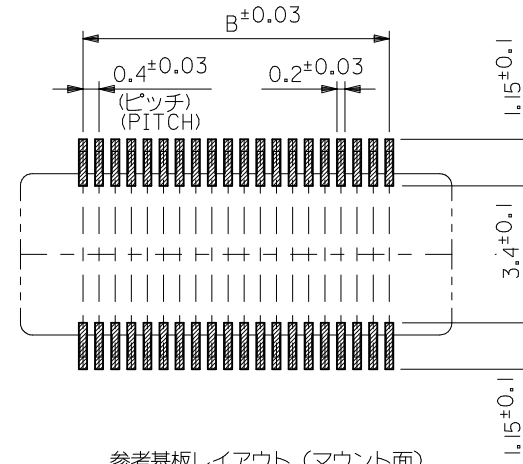
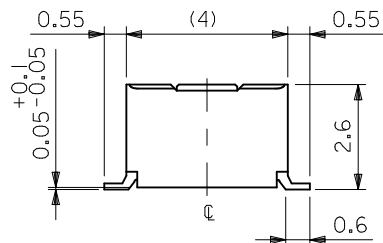
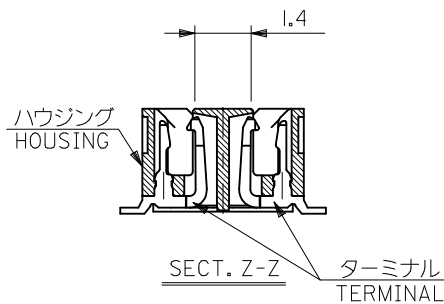
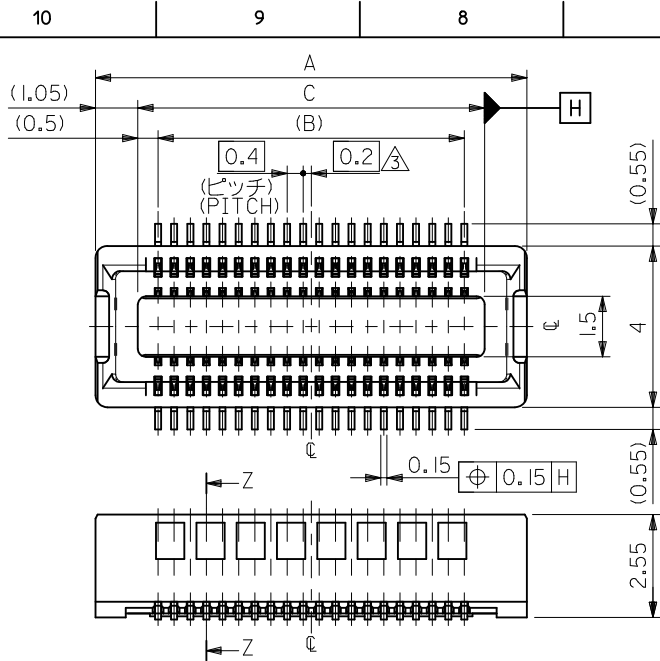
54684Series

Mates With

55526 PCB Header

This document was generated on 04/30/2010

PLEASE CHECK WWW.MOLEX.COM FOR LATEST PART INFORMATION



参考基板レイアウト (マウント面)
P.C.BOARD
PATTERN DIMENSION (REF.)
(MOUNTING AREA)

24.6	23.6	26.7	54684-1203	120
20.6	19.6	22.7	54684-1003	100
18.6	17.6	20.7	54684-0903	90
16.6	15.6	18.7	54684-0803	80
14.6	13.6	16.7	54684-0703	70
12.6	11.6	14.7	54684-0603	60
10.6	9.6	12.7	54684-0503	50
5.4	4.4	7.5	54684-0243	24
C	B	A	MATERIAL NO.	CIRCUIT

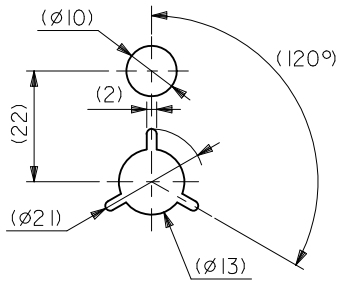
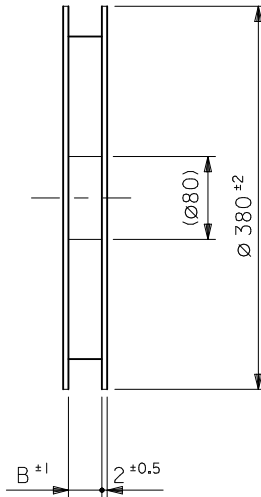
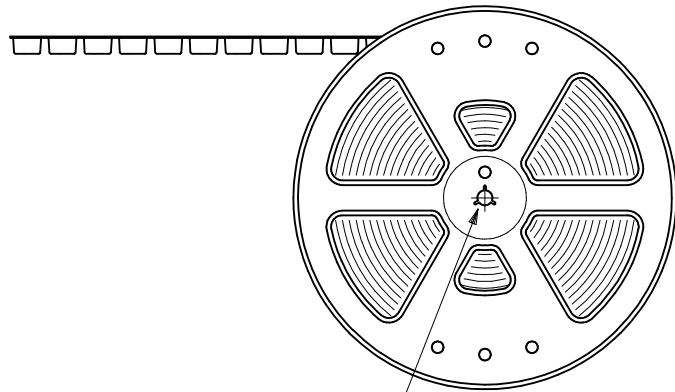
注記 NOTES:

1. 使用材料 MATERIAL
ハウジング: 液晶ポリマー ガラス充填 UL94V-0 茶色
HOUSING: LIQUID CRYSTAL POLYMER
GLASS FILLED UL94V-0
COLOR BROWN
ターミナル: リン青銅 (t=0.15)
TERMINAL: PHOSPHOR BRONZE (t=0.15)
2. メッキ仕様 PLATING
金メッキ 0.10 マイクロメートル以上 (コンタクト部)
GOLD 0.10 MICROMETER MINIMUM (CONTACT AREA)
金メッキ 0.4 マイクロメートル以下 (テール部)
GOLD 0.4 MICROMETER MAXIMUM (TAIL AREA)
下地メッキ: ニッケルメッキ 1.5 マイクロメートル以上
UNDER PLATING: NICKEL 1.5 MICROMETER MINIMUM
* コンタクト部とテール部はニッケルメッキによって分断されている
金メッキで9。
DIVIDE INTO PARTS THE GOLD PLATING OF THE
CONTACT PART AND THE TAIL PART BY THE
NICKEL PLATING.

3. (全極数/2) = 偶数の場合に適用。
APPLY FOR (CIRCUIT/2) = EVEN.
4. 嵌合相手: 55526シリーズ, 501017シリーズ。
MATE WITH: 55526 SERIES AND 501017 SERIES.
5. テール平坦度は、0.08MAX。
TAIL COPLANARITY TO BE 0.08MAX.

REVISED EC NO.: J2010-2361 DRWN: MKATO 2010/05/21 CHKD: THIRATA 2010/05/24 APPR: MSASAO 2010/06/09	DESCRIPTION	GENERAL TOLERANCES (UNLESS SPECIFIED)		DIMENSION STYLE MM ONLY		SCALE ---	DESIGN UNITS METRIC	MODEL NO. 54684-***3	
		10 UNDER	±0.2	DRAWN BY T. KAIHO	DATE 2003/07/15	TITLE 0.4BB CONN.REC HSGASSY NO BOSS NI BARRIER -LEAD FREE-			
		10 OVER 30 UNDER	±0.25	CHECKED BY T. ITO	DATE 2003/07/15	MOLEX INCORPORATED DOCUMENT NO. SD-54684-011 SHEET NO. 1 OF 1			
		30 OVER	±0.3	APPROVED BY T. YAMAGU	DATE 2003/07/15				
REV	ANGULAR ±3 °	DRAFT WHERE APPLICABLE MUST REMAIN WITHIN DIMENSIONS		SIZE A3	THIS DRAWING CONTAINS INFORMATION THAT IS PROPRIETARY TO MOLEX INCORPORATED AND SHOULD NOT BE USED WITHOUT WRITTEN PERMISSION				

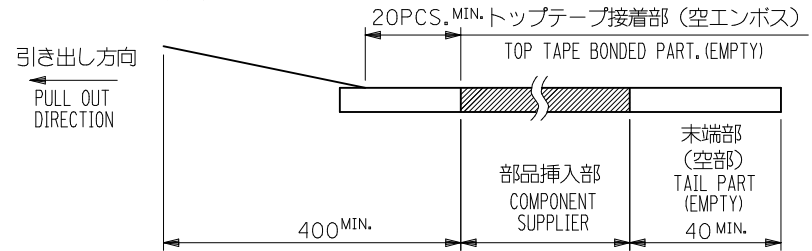
引き出し方向
PULL OUT
DIRECTION



DETAIL "F"

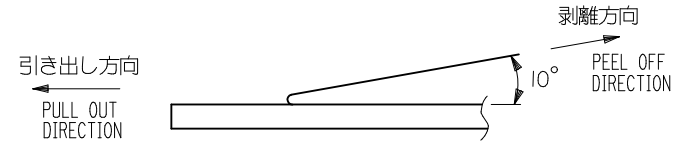
NOTES

- 製品詳細寸法については図面 SD-54684-011 を参照下さい。
RE DETAILED DIMENSION, SEE SD-54684-011
- 梱包数量：1500個/リール
NUMBER OF CONNECTORS：1500PCS/REEL
- リードテープ長さ LEAD TAPE LENGTH



- トップテープの剥離強度：0.1N ~ 0.7N(10.2gf ~ 71.4gf)
(剥離方向は下図参照)

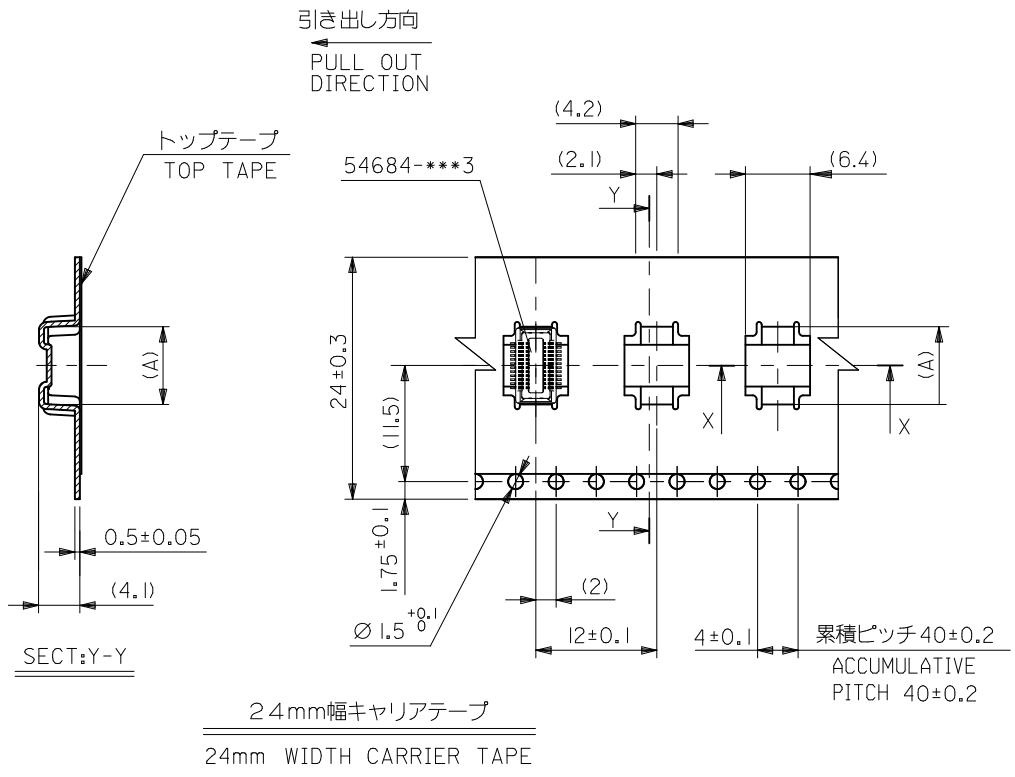
尚、本規格値は出荷時に適用。(但し、輸送時に剥離が発生しないこと。)
PEELING OFF FORCE OF TOP TAPE：0.1N ~ 0.7N(10.2gf ~ 71.4gf)
(PEELING DIRECTION AS SHOWN IN FOLLOWING FIG.)
THIS REQUIREMENT SHOULD BE APPLIED AT SHIPMENT.
PEEL OFF SHOULD NOT BE ALLOWED, DURING TRANSPORTATION.



- 材料(MATERIAL)
キャリアテープ(CARRIER TAPE)：ポリプロピレン(POLYPROPYLENE)
トップテープ(TOPTAPE)：PET, PE, PEF
リール(REEL)：ポリスチレン(P.S) <リサイクル材を含む>
POLYSTYREN(PS) <RECYCLE MATERIAL CONTAINED>

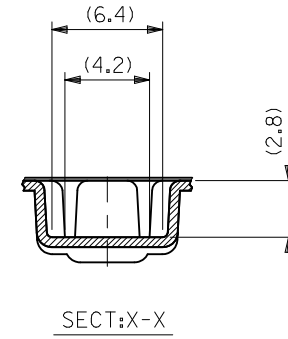
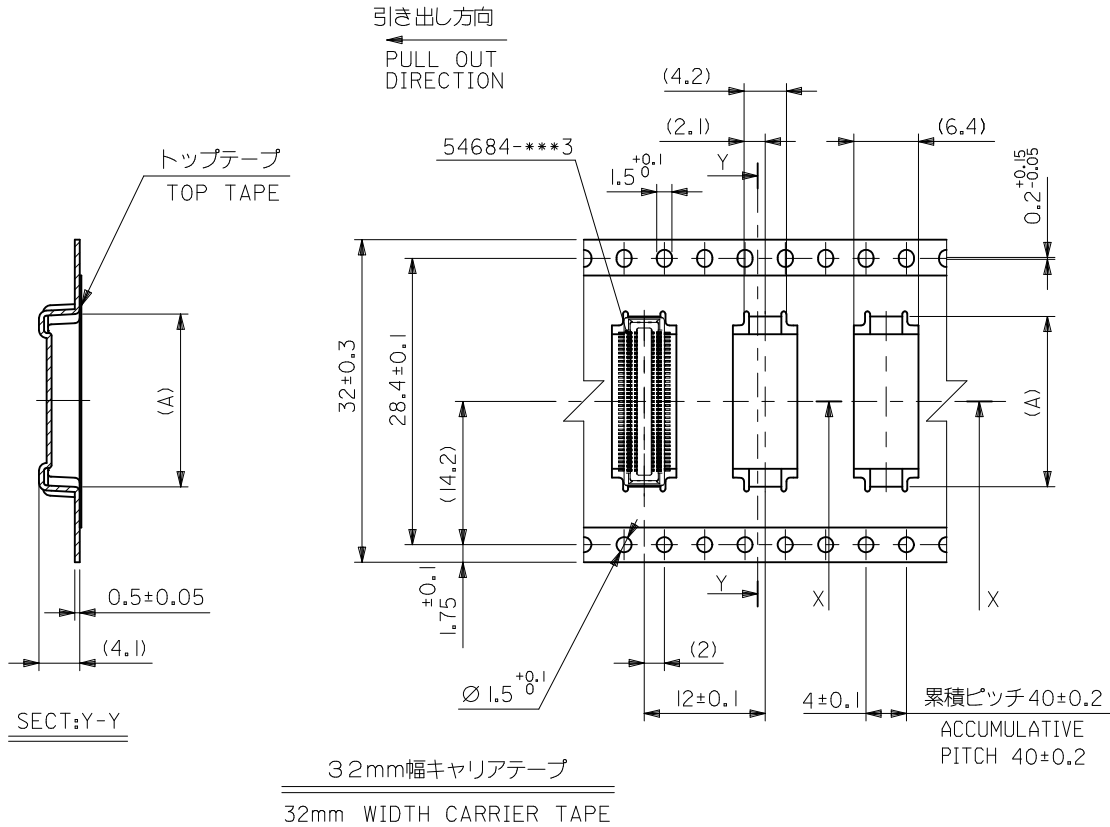
MODEL NO. 54684-***4

REVISED EC NO: J2010-2361 DRWN:KATO 2010/05/21 CHKD:HIRATA 2010/05/24 APPR:MSASAO 2010/06/09	DESCRIPTION REV	GENERAL TOLERANCES (UNLESS SPECIFIED)		DIMENSION STYLE MM ONLY		SCALE ---	DESIGN UNITS METRIC	THIRD ANGLE PROJECTION		
		10 UNDER	±0.2	DRAWN BY T. KAIHO	DATE 2003/07/15	TITLE 0.4BB CON.EMBSTP PKG FOR 54684-***3 -LEAD FREE-				
		10 OVER 30 UNDER	±0.25	CHECKED BY T. ITO	DATE 2003/07/15	MOLEX INCORPORATED				
		30 OVER	±0.3	APPROVED BY T. YAMAGU	DATE 2003/07/15	DOCUMENT NO. SD-54684-012				
ANGULAR ±3 °		DRAFT WHERE APPLICABLE MUST REMAIN WITHIN DIMENSIONS		MATERIAL NO. SEE CHART		SHEET NO. 1 OF 4				
				SIZE A3		THIS DRAWING CONTAINS INFORMATION THAT IS PROPRIETARY TO MOLEX INCORPORATED AND SHOULD NOT BE USED WITHOUT WRITTEN PERMISSION				



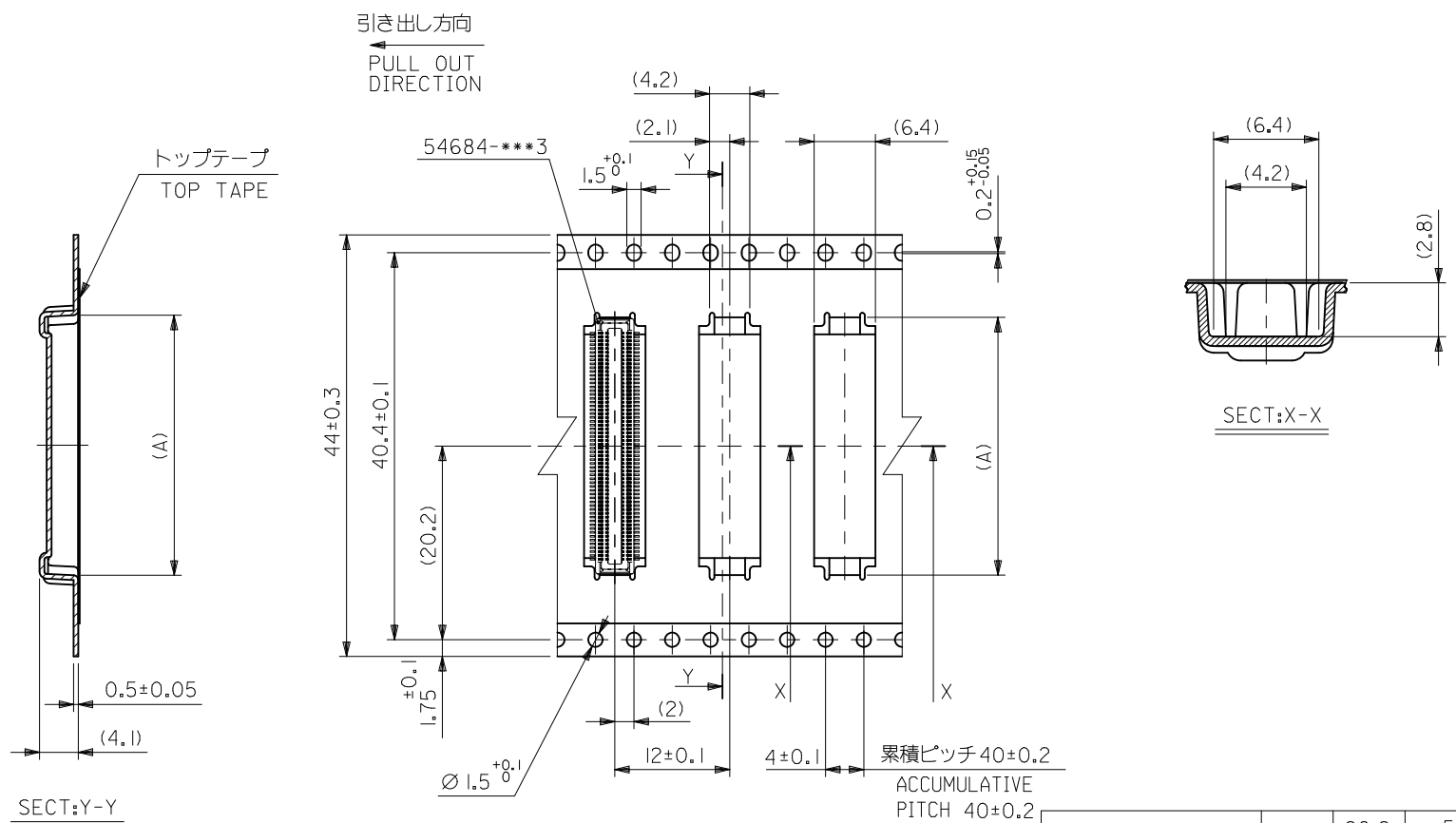
24	25.5	7.7	54684-0244	24
キャリアテープ幅 CARRIER TAPE WIDTH	B	(A)	MATERIAL NO.	極数 CKT.

REVISED EC NO: J2010-2361 DRWN:MKATO 2010/05/21 CHKD:THIRATA 2010/05/24 APPR:MSASAO 2010/06/09	GENERAL TOLERANCES (UNLESS SPECIFIED)		DIMENSION STYLE MM ONLY	SCALE ---	DESIGN UNITS METRIC	MODEL NO. 54684-***4	THIRD ANGLE PROJECTION
	10 UNDER	±0.2	DRAWN BY T.KAIHO	DATE 2003/07/15	TITLE 0.4BB CON.EMBSTP PKG FOR 54684-***3 -LEAD FREE-		
	10 OVER 30 UNDER	±0.25	CHECKED BY T.ITO	DATE 2003/07/15	APPROVED BY T.YAMAGU 2003/07/15		
	30 OVER	±0.3	MATERIAL NO. SEE CHART		DOCUMENT NO. SD-54684-012	SHEET NO. 2 OF 4	
ANGULAR ±3 °	DRAFT WHERE APPLICABLE MUST REMAIN WITHIN DIMENSIONS		THIS DRAWING CONTAINS INFORMATION THAT IS PROPRIETARY TO MOLEX INCORPORATED AND SHOULD NOT BE USED WITHOUT WRITTEN PERMISSION				



32	33.5	20.9	54684-0904	90
		18.9	54684-0804	80
		16.9	54684-0704	70
		14.9	54684-0604	60
		12.9	54684-0504	50
キャリアテープ幅 CARRIER TAPE WIDTH	B	(A)	MATERIAL NO.	極数 CKT.

REVISED EC NO: J2010-2361 DRWN:MKATO 2010/05/21 CHKD:THIRATA 2010/05/24 APPR:MSASAO 2010/06/09	GENERAL TOLERANCES (UNLESS SPECIFIED)		DIMENSION STYLE	SCALE	DESIGN UNITS	MODEL NO.	
	10 UNDER ±0.2		MM ONLY	---	METRIC	54684-***4	
	10 OVER 30 UNDER ±0.25		DRAWN BY	DATE	TITLE		
	30 OVER ±0.3		T. KAIHO	2003/07/15	0.4BB CON.EMBSTP PKG FOR 54684-***3 -LEAD FREE-		
ANGULAR ±3 °		CHECKED BY	DATE	MOLEX INCORPORATED			
DRAFT WHERE APPLICABLE MUST REMAIN WITHIN DIMENSIONS		T. ITO	2003/07/15	DOCUMENT NO.			
		APPROVED BY	DATE	SHEET NO.			
		T. YAMAGU	2003/07/15	3 OF 4			
		MATERIAL NO.	SEE CHART				
		THIS DRAWING CONTAINS INFORMATION THAT IS PROPRIETARY TO MOLEX INCORPORATED AND SHOULD NOT BE USED WITHOUT WRITTEN PERMISSION					



44mm幅キャリアテープ
44mm WIDTH CARRIER TAPE

44	45.5	26.9	54684-1204	120
		22.9	54684-1004	100
キャリアテープ幅 CARRIER TAPE WIDTH	B	(A)	MATERIAL NO.	極数 CKT.

REVISED EC NO: J2010-2361 DRWN:MKATO 2010/05/21 CHKD:THIRATA 2010/05/24 APPR:MSASAO 2010/06/09	GENERAL TOLERANCES (UNLESS SPECIFIED)		DIMENSION STYLE	SCALE	DESIGN UNITS	MODEL NO.	
			MM ONLY	---	METRIC	54684-***4	
	10 UNDER ±0.2		DRAWN BY	DATE	TITLE		
	10 OVER 30 UNDER ±0.25		T.KAIHO	2003/07/15	0.4BB CON.EMBSTP PKG FOR 54684-***3 -LEAD FREE-		
	30 OVER ±0.3		CHECKED BY	DATE	MOLEX INCORPORATED		
ANGULAR ±3 °		T.ITO	2003/07/15	MATERIAL NO.		SHEET NO.	
DRAFT WHERE APPLICABLE MUST REMAIN WITHIN DIMENSIONS		APPROVED BY	DATE	DOCUMENT NO.			
		T.YAMAGU	2003/07/15	SEE CHART		SD-54684-012	
		THIS DRAWING CONTAINS INFORMATION THAT IS PROPRIETARY TO MOLEX INCORPORATED AND SHOULD NOT BE USED WITHOUT WRITTEN PERMISSION				4 OF 4	