



## *Micro Commercial Components Corp.*

### Products End of Life Notification

Issue date: Aug-1<sup>th</sup>-2008

Last Buy Date :Jan-1<sup>th</sup>-2009

Description and Purpose:

MCC has undergone a review of its core business and products , and determined to discontinue below products:

Discontinued Devices	Possible Replacements
RB400D	RB400DS
RB411D	RB411DS
RB420D	RB420DS
RB421D	RB421DS
RB425D	RB425DS
RB491D	RB491DS
RB495D	RB495DS



Micro Commercial Components

Micro Commercial Components  
 20736 Marilla Street Chatsworth  
 CA 91311  
 Phone: (818) 701-4933  
 Fax: (818) 701-4939

**RB411D**

**Features**

- Small surface mounting type
- Low reverse current and low forward voltage
- High reliability
- Case Material: Molded Plastic. UL Flammability Classification Rating 94V-0

**0.5 Amp Schottky  
 Barrier Rectifier  
 20 Volts**

**Maximum Ratings**

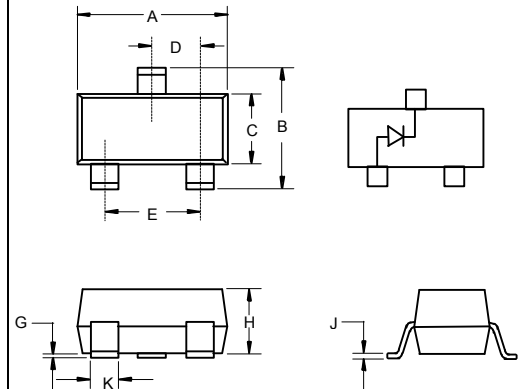
Parameter	Symbol	Value	Unit
Peak Reverse Voltage	$V_{RM}$	40	V
DC Reverse Voltage	$V_R$	20	V
Mean Rectifying Current	$I_O$	500	mA
Peak Forward Surge Current	$I_{FSM}$	3	A
Junction Temperature	$T_J$	125	°C
Storage Temperature	$T_{STG}$	-40 to 125	°C

**Electrical Characteristics @ 25°C Unless Otherwise Specified**

Parameter	Symbol	Min.	Typ.	Max.	Unit
Forward Voltage @ $I_F=10mA$ @ $I_F=500mA$	$V_F$	---	---	0.3 0.5	V
Reverse Current @ $V_R=10V$	$I_R$	---	---	30	uA
Capacitance Between Terminals @ $V_R=10V, f=1MHz$	$C_T$	---	20	---	pF

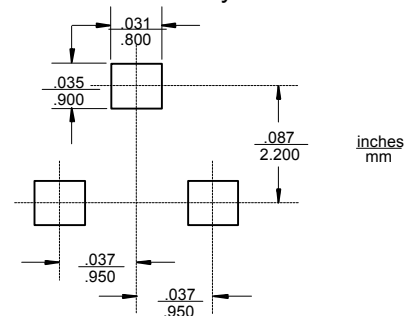
Marking: D3E

**SOT-23-3L**



DIM	DIMENSIONS				NOTE
	INCHES		MM		
	MIN	MAX	MIN	MAX	
A	.113	.117	2.87	2.97	
B	.108	.112	2.75	2.85	
C	.061	.065	1.55	1.65	
D	.036	.038	.925	.975	
E	.073	.077	1.85	1.95	
G	.0016	.0039	.04	.100	
H	.044	.049	1.12	1.25	
J	.006	.007	.14	.17	
K	.013	.015	.34	.37	

**Suggested Solder Pad Layout**



# RB411D



Micro Commercial Components

## ● Electrical characteristic curves (Ta = 25°C)

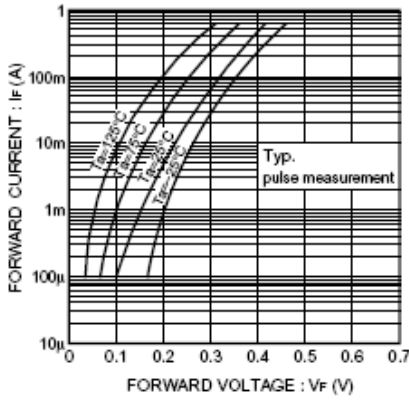


Fig. 1 Forward characteristics

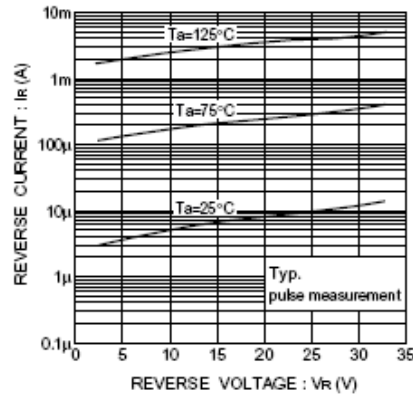


Fig. 2 Reverse characteristics

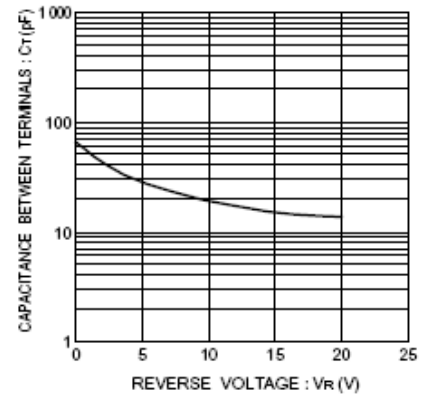


Fig. 3 Capacitance between terminals characteristic



TM

Micro Commercial Components

**\*\*\*IMPORTANT NOTICE\*\*\***

*Micro Commercial Components Corp.* reserves the right to make changes without further notice to any product herein to make corrections, modifications, enhancements, improvements, or other changes. *Micro Commercial Components Corp.* does not assume any liability arising out of the application or use of any product described herein; neither does it convey any license under its patent rights, nor the rights of others. The user of products in such applications shall assume all risks of such use and will agree to hold *Micro Commercial Components Corp.* and all the companies whose products are represented on our website, harmless against all damages.

**\*\*\*APPLICATIONS DISCLAIMER\*\*\***

Products offer by *Micro Commercial Components Corp.* are not intended for use in Medical, Aerospace or Military Applications.