

PLEASE CHECK WWW.MOLEX.COM FOR LATEST PART INFORMATION

Part Number: [0713492025](#)
Status: **Active**
Overview: [cgrid_sl_products](#)
Description: 2.54mm (.100") Pitch C-Grid® Header, Surface Mount, Dual Row, Vertical, Shrouded, 54 Circuits, Tin (Sn) Plating, with Press-fit Plastic Pegs

Documents:

[3D Model](#) [Product Specification PS-71349-001 \(PDF\)](#)
[Drawing \(PDF\)](#) [RoHS Certificate of Compliance \(PDF\)](#)

General

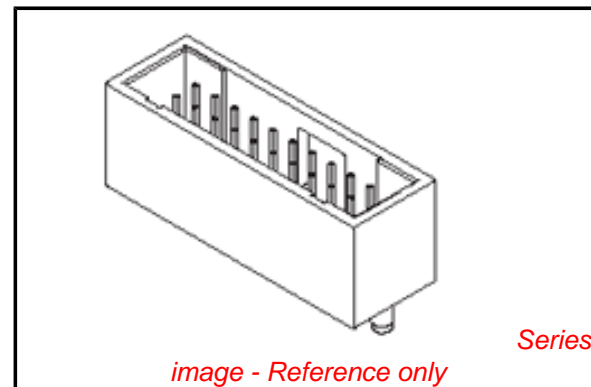
Product Family PCB Headers
 Series [71349](#)
 Application Wire-to-Board
 Overview [cgrid_sl_products](#)
 Product Name C-Grid®

Physical

Breakaway No
 Circuits (Loaded) 54
 Color - Resin Black
 Durability (mating cycles max) 25
 First Mate / Last Break No
 Glow-Wire Compliant No
 Guide to Mating Part No
 Keying to Mating Part None
 Lock to Mating Part Yes
 Material - Metal Brass, Phosphor Bronze
 Material - Plating Mating Tin
 Material - Plating Termination Tin
 Material - Resin High Temperature Thermoplastic
 Number of Rows 2
 Orientation Vertical
 PC Tail Length (in) 0.000 In
 PC Tail Length (mm) 0.00 mm
 PCB Locator Yes
 PCB Retention Yes
 PCB Thickness Recommended (in) 0.000 In
 PCB Thickness Recommended (mm) 0.00 mm
 Packaging Type Tube
 Pitch - Mating Interface (in) 0.100 In
 Pitch - Mating Interface (mm) 2.54 mm
 Plating min: Mating (µin) 150
 Plating min: Mating (µm) 3.75
 Plating min: Termination (µin) 150
 Plating min: Termination (µm) 3.75
 Polarized to Mating Part Yes
 Shrouded Fully
 Stackable No
 Temperature Range - Operating -40°C to +105°C
 Termination Interface: Style Surface Mount

Electrical

Current - Maximum per Contact 3A
 Voltage - Maximum 250V



EU RoHS

ELV and RoHS Compliant
REACH SVHC Contains SVHC: No
Halogen-Free Status
Not Reviewed

China RoHS



Need more information on product environmental compliance?

Email productcompliance@molex.com
 For a multiple part number RoHS Certificate of Compliance, [click here](#)

Please visit the [Contact Us](#) section for any non-product compliance questions.

Search Parts in this Series

[71349Series](#)

Solder Process Data

| | |
|--|---------------------------|
| Duration at Max. Process Temperature (seconds) | 30 |
| Lead-free Process Capability | Reflow Capable (SMT only) |
| Max. Cycles at Max. Process Temperature | 3 |
| Process Temperature max. C | 245 |

Material Info**Reference - Drawing Numbers**

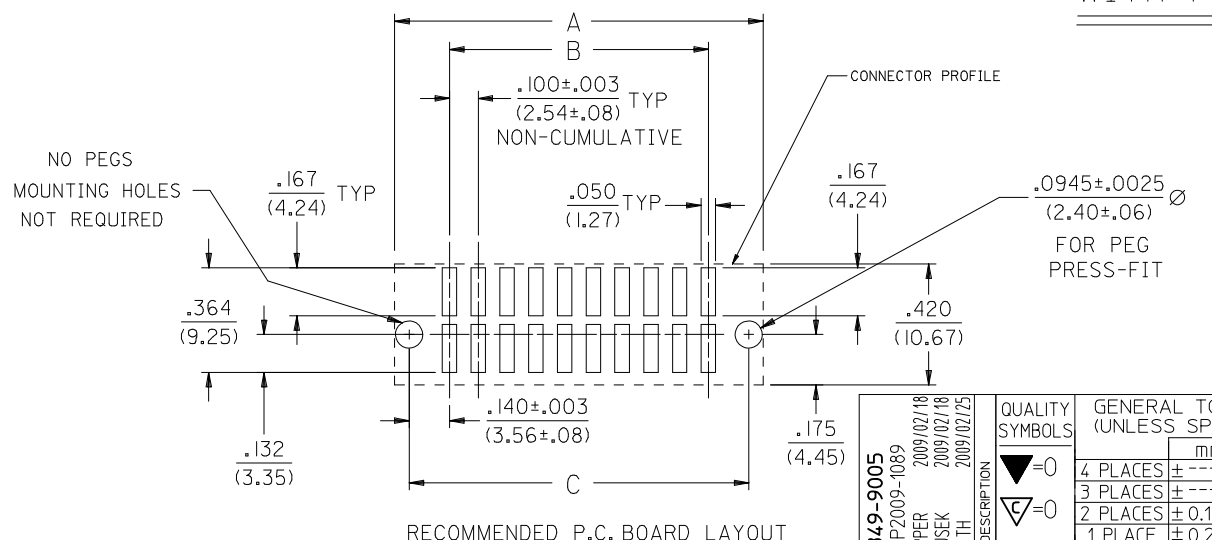
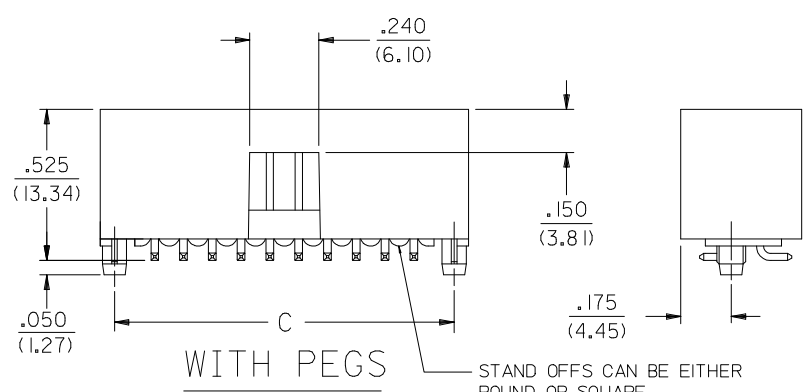
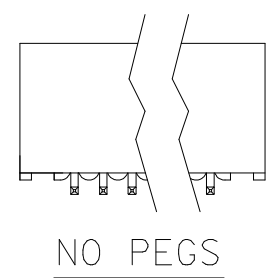
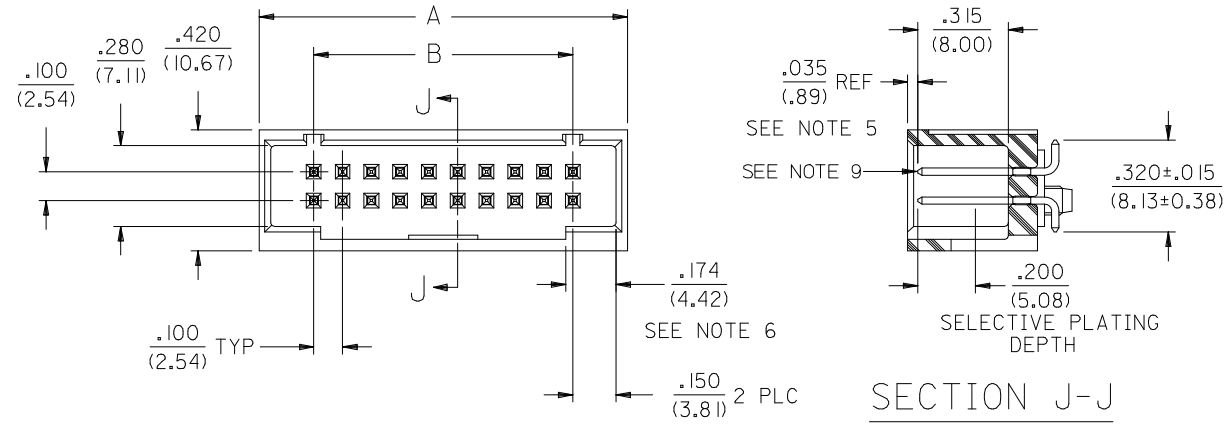
| | |
|-------------------------|------------------------------|
| Packaging Specification | PK-70873-0018, PK-70873-0019 |
| Product Specification | PS-71349-001 |
| Sales Drawing | SDA-71349-**** |

This document was generated on 05/31/2010

PLEASE CHECK WWW.MOLEX.COM FOR LATEST PART INFORMATION

NOTES:

- 1- MATERIALS:
SHROUDED WAFER: LCP, COLOR: BLACK, 94V-0
PINS: COPPER ALLOY.
- 2- PLATING FINISHES FOR PINS:
TIN: .000150 MINIMUM TIN OVER
.000050 MINIMUM NICKEL.
- 15 GOLD: .000015 MINIMUM GOLD PLATE IN SELECTED AREA AND
.000075 MINIMUM TIN IN SELECTED AREA
OVER .000050 MINIMUM NICKEL OVER-ALL.
- 30 GOLD: .000030 MINIMUM GOLD PLATE IN SELECTED AREA AND
.000075 MINIMUM TIN IN SELECTED AREA
OVER .000050 MINIMUM NICKEL OVER-ALL.
- 3- PRODUCT CONFORMS TO PS-71349-001.
- 4- SEE SHEETS 3 AND 4 FOR PACKAGING DETAILS.
- 5- ROW TO ROW PIN HEIGHT VARIATION MUST NOT EXCEED
.005/(0.13).
- 6- THIS SHOULDER IS .125/(3.18) FOR 6 CIRCUIT ONLY.
.174/(4.42) FOR ALL OTHER CIRCUIT SIZES.
- 7- 20 CIRCUIT SIZE SHOWN FOR ILLUSTRATION PURPOSES.
- 8- PIN SMT TAILS MUST MEET SOLDERABILITY PER
MIL-STD-202, METHOD 208B.
- 9- PIN PUSHOUT FORCE 4 LBS/(17.79N) MINIMUM
IN THE DIRECTION INDICATED.
- 10- PRODUCT MATES TO 70013B (6 TO 50 CKTS).
- 11- PARTS CONFORM TO CLASS B REQUIREMENTS OF
COSMETIC SPECIFICATION PS-45499-002



NOTE FOR LEAD FREE CONVERSION:
THE PRIMARY SHIPPING CARTON WILL BE LABELED "COMPLIANT TO RoHS
DIRECTIVE 2002/95/EC AND ELV ANNEX II OF DIRECTIVE 2000/53/EC".
CARTONS WITHOUT THIS LABEL MAY CONTAIN PRODUCT WITH LEAD.

| | |
|-----|-----|
| 4 | I2 |
| 3 | J1 |
| 2 | C |
| 1 | J1 |
| SHT | REV |

| ADD 71349-9005 EC NO: UCP2009-1089 DRWN:MKIPPER 2009/02/18 CHKD:SSOUSEK 2009/02/18 APPR:FSMLTH 2009/02/25 | QUALITY SYMBOLS ▽=0 ▽=0 | GENERAL TOLERANCES (UNLESS SPECIFIED) <table border="1"> <tr> <th></th> <th>mm</th> <th>INCH</th> </tr> <tr> <td>4 PLACES ±</td> <td>---</td> <td>---</td> </tr> <tr> <td>3 PLACES ±</td> <td>---</td> <td>±.005</td> </tr> <tr> <td>2 PLACES ±</td> <td>0.13</td> <td>±.01</td> </tr> <tr> <td>1 PLACE ±</td> <td>0.25</td> <td>±---</td> </tr> </table> ANGULAR ±1/2° | | mm | INCH | 4 PLACES ± | --- | --- | 3 PLACES ± | --- | ±.005 | 2 PLACES ± | 0.13 | ±.01 | 1 PLACE ± | 0.25 | ±--- | DIMENSION STYLE IN/MM | SCALE 3:1 | DESIGN UNITS INCH | THIRD ANGLE PROJECTION |
|---|--------------------------------|--|--------------------|--------------------|--------------------|---|-----|-----|------------|-----|-------|------------|------|------|-----------|------|------|--------------------------|--------------|----------------------|------------------------|
| | | mm | INCH | | | | | | | | | | | | | | | | | | |
| | 4 PLACES ± | --- | --- | | | | | | | | | | | | | | | | | | |
| | 3 PLACES ± | --- | ±.005 | | | | | | | | | | | | | | | | | | |
| 2 PLACES ± | 0.13 | ±.01 | | | | | | | | | | | | | | | | | | | |
| 1 PLACE ± | 0.25 | ±--- | | | | | | | | | | | | | | | | | | | |
| DRAWN BY RB | DATE 10/26/1992 | CHECKED BY DJB | DATE 10/26/1992 | APPROVED BY DJB | DATE 10/26/1992 | TITLE SALES ASSY, WAFER-4 SIDES SHROUDED, HIGH TEMP, SMT POLAR SLOTS, .100 GRID | | | | | | | | | | | | | | | |
| MATERIAL NO. SEE TABLE | DOCUMENT NO. SDA-71349-**** | SHEET NO. 1 OF 4 | MOLEX INCORPORATED | | | | | | | | | | | | | | | | | | |
| DRAFT WHERE APPLICABLE MUST REMAIN WITHIN DIMENSIONS | | | | | | THIS DRAWING CONTAINS INFORMATION THAT IS PROPRIETARY TO MOLEX INCORPORATED AND SHOULD NOT BE USED WITHOUT WRITTEN PERMISSION | | | | | | | | | | | | | | | |

| NO. OF CKTS | "A" | | "B" | | "C" | |
|-------------|---------------|------------|---------------|------------|---------------|------------|
| | INCH ±.005 | MM ±.13 | INCH ±.003 | MM ±.08 | INCH ±.003 | MM ±.08 |
| 06 | .580 | 14.73 | .200 | 5.08 | .480 | 12.19 |
| 08 | .680 | 17.27 | .300 | 7.62 | .580 | 14.73 |
| 10 | .780 | 19.81 | .400 | 10.16 | .680 | 17.27 |
| 12 | .880 | 22.35 | .500 | 12.70 | .780 | 19.81 |
| 14 | .980 | 24.89 | .600 | 15.24 | .880 | 22.35 |
| 16 | 1.080 | 27.43 | .700 | 17.78 | .980 | 24.89 |
| 18 | 1.180 | 29.97 | .800 | 20.32 | 1.080 | 27.43 |
| 20 | 1.280 | 32.51 | .900 | 22.86 | 1.180 | 29.97 |
| 22 | 1.380 | 35.05 | 1.000 | 25.40 | 1.280 | 32.51 |
| 24 | 1.480 | 37.59 | 1.100 | 27.94 | 1.380 | 35.05 |
| 26 | 1.580 | 40.13 | 1.200 | 30.48 | 1.480 | 37.59 |
| 28 | 1.680 | 42.67 | 1.300 | 33.02 | 1.580 | 40.13 |
| 30 | 1.780 | 45.21 | 1.400 | 35.56 | 1.680 | 42.67 |
| 32 | 1.880 | 47.75 | 1.500 | 38.10 | 1.780 | 45.21 |
| 34 | 1.980 | 50.29 | 1.600 | 40.64 | 1.880 | 47.75 |
| 36 | 2.080 | 52.83 | 1.700 | 43.18 | 1.980 | 50.29 |
| 38 | 2.180 | 55.37 | 1.800 | 45.72 | 2.080 | 52.83 |
| 40 | 2.280 | 57.91 | 1.900 | 48.26 | 2.180 | 55.37 |
| 42 | 2.380 | 60.45 | 2.000 | 50.80 | 2.280 | 57.91 |
| 44 | 2.480 | 62.99 | 2.100 | 53.34 | 2.380 | 60.45 |
| 46 | 2.580 | 65.53 | 2.200 | 55.88 | 2.480 | 62.99 |
| 48 | 2.680 | 68.07 | 2.300 | 58.42 | 2.580 | 65.53 |
| 50 | 2.780 | 70.61 | 2.400 | 60.96 | 2.680 | 68.07 |
| 52 | 2.880 | 73.15 | 2.500 | 63.50 | 2.780 | 70.61 |
| 54 | 2.980 | 75.69 | 2.600 | 66.04 | 2.880 | 73.15 |
| 56 | 3.080 | 78.23 | 2.700 | 68.58 | 2.980 | 75.69 |
| 58 | 3.180 | 80.77 | 2.800 | 71.12 | 3.080 | 78.23 |
| 60 | 3.280 | 83.31 | 2.900 | 73.66 | 3.180 | 80.77 |
| 62 | 3.380 | 85.85 | 3.000 | 76.20 | 3.280 | 83.31 |
| 64 | 3.480 | 88.39 | 3.100 | 78.74 | 3.380 | 85.85 |
| 66 | 3.580 | 90.93 | 3.200 | 81.28 | 3.480 | 88.39 |
| 68 | 3.680 | 93.47 | 3.300 | 83.82 | 3.580 | 90.93 |
| 70 | 3.780 | 96.01 | 3.400 | 86.36 | 3.680 | 93.47 |
| 72 | 3.880 | 98.55 | 3.500 | 88.90 | 3.780 | 96.01 |

| | |
|---|-------------|
| C | SEE SHEET 1 |
| B | SEE SHEET 1 |
| A | SEE SHEET 1 |

| MFG. | SH. | REV. | LTR. | REVISIONS |
|------|-----|------|------|-----------|
| | | | | |

DIMENSIONS SHOWN (METRIC) INCH
UNLESS OTHERWISE SPECIFIED
TOLERANCES: ANGULAR ± 1/2°

| INCH | | METRIC |
|---------|---------|--------|
| 3 PLACE | ± -- -- | -- |
| 2 PLACE | ± -- -- | ± -- |
| 1 PLACE | -- | ± -- |

DRAFT WHERE APPLICABLE MUST
REMAIN WITHIN DIMENSIONS

DRWG. BY: WGM CHK'D. BY: DJB
APP'D. BY: DJB SCALE: N : A

▽ = 0 ▽ = 0 REVISE ONLY ON CAD SYSTEM

TITLE: WAFER-4 SIDES SHROUDED,
HIGH TEMP, .150 END WALL, POLAR
SLOTS, .100 GRID, SURFACE MOUNT

moLEX MOLEX INCORPORATED SHEET NO. 2 DATE 6/10/96
LISLE, ILL. 60532 U.S.A.

PART NO. DRWG. NO. SEE CHART SDA-71349-****

FILE NAME: S71349X2 THIS DRAWING CONTAINS INFORMATION THAT IS PROPRIETARY TO MOLEX INC. AND SHOULD NOT BE USED WITHOUT WRITTEN PERMISSION. DIV. DA SIZE C

71349

| WITH PEGS | | | | | | | WITHOUT PEGS | | | | | | |
|----------------|------------------------|-----------------------------|------------------------|-----------------------------|------------------------|-----------------------------|----------------|------------------------|-----------------------------|------------------------|-----------------------------|------------------------|-----------------------------|
| PLATING | TIN | | 15 GOLD | | 30 GOLD | | PLATING | TIN | | 15 GOLD | | 30 GOLD | |
| PACKAGING | TUBES PK-70873-0019 | TAPE & REEL PK-71349-001 | TUBES PK-70873-0019 | TAPE & REEL PK-71349-001 | TUBES PK-70873-0019 | TAPE & REEL PK-71349-001 | PACKAGING | TUBES PK-70873-0018 | TAPE & REEL PK-71349-001 | TUBES PK-70873-0018 | TAPE & REEL PK-71349-001 | TUBES PK-70873-0018 | TAPE & REEL PK-71349-001 |
| NO. OF CKTS | ASSEMBLY ITEM NO. | | ASSEMBLY ITEM NO. | | ASSEMBLY ITEM NO. | ASSEMBLY ITEM NO. | NO. OF CKTS | ASSEMBLY ITEM NO. | ASSEMBLY ITEM NO. | ASSEMBLY ITEM NO. | ASSEMBLY ITEM NO. | ASSEMBLY ITEM NO. | ASSEMBLY ITEM NO. |
| 06 | 71349-2001 | | 71349-2035 | | 71349-2069 | | 06 | 71349-1001 | | 71349-1035 | | 71349-1069 | |
| 08 | 71349-2002 | | 71349-2036 | | 71349-2070 | | 08 | 71349-1002 | 71349-9002 | 71349-1036 | 71349-0036 | 71349-1070 | 71349-5036 |
| 10 | 71349-2003 | 71349-6003 | 71349-2037 | 71349-8037 | 71349-2071 | 71349-4071 | 10 | 71349-1003 | 71349-9003 | 71349-1037 | 71349-0037 | 71349-1071 | 71349-5037 |
| 12 | 71349-2004 | | 71349-2038 | | 71349-2072 | | 12 | 71349-1004 | | 71349-1038 | | 71349-1072 | |
| 14 | 71349-2005 | | 71349-2039 | | 71349-2073 | | 14 | 71349-1005 | 71349-9005 | 71349-1039 | | 71349-1073 | |
| 16 | 71349-2006 | | 71349-2040 | | 71349-2074 | | 16 | 71349-1006 | | 71349-1040 | 71349-0040 | 71349-1074 | |
| 18 | 71349-2007 | | 71349-2041 | | 71349-2075 | | 18 | 71349-1007 | | 71349-1041 | | 71349-1075 | |
| 20 | 71349-2008 | 71349-6008 | 71349-2042 | 71349-8042 | 71349-2076 | 71349-4076 | 20 | 71349-1008 | 71349-9008 | 71349-1042 | 71349-0042 | 71349-1076 | 71349-5042 |
| 22 | 71349-2009 | | 71349-2043 | | 71349-2077 | | 22 | 71349-1009 | | 71349-1043 | | 71349-1077 | |
| 24 | 71349-2010 | | 71349-2044 | | 71349-2078 | | 24 | 71349-1010 | | 71349-1044 | | 71349-1078 | |
| 26 | 71349-2011 | | 71349-2045 | | 71349-2079 | | 26 | 71349-1011 | | 71349-1045 | | 71349-1079 | |
| 28 | 71349-2012 | | 71349-2046 | | 71349-2080 | | 28 | 71349-1012 | | 71349-1046 | | 71349-1080 | |
| 30 | 71349-2013 | | 71349-2047 | | 71349-2081 | | 30 | 71349-1013 | | 71349-1047 | | 71349-1081 | |
| 32 | 71349-2014 | | 71349-2048 | | 71349-2082 | | 32 | 71349-1014 | | 71349-1048 | | 71349-1082 | |
| 34 | 71349-2015 | | 71349-2049 | | 71349-2083 | | 34 | 71349-1015 | | 71349-1049 | | 71349-1083 | |
| 36 | 71349-2016 | | 71349-2050 | | 71349-2084 | | 36 | 71349-1016 | | 71349-1050 | | 71349-1084 | |
| 38 | 71349-2017 | | 71349-2051 | | 71349-2085 | | 38 | 71349-1017 | | 71349-1051 | | 71349-1085 | |
| 40 | 71349-2018 | | 71349-2052 | | 71349-2086 | | 40 | 71349-1018 | | 71349-1052 | | 71349-1086 | |
| 42 | 71349-2019 | | 71349-2053 | | 71349-2087 | | 42 | 71349-1019 | | 71349-1053 | | 71349-1087 | |
| 44 | 71349-2020 | | 71349-2054 | | 71349-2088 | | 44 | 71349-1020 | | 71349-1054 | | 71349-1088 | |
| 46 | 71349-2021 | | 71349-2055 | | 71349-2089 | | 46 | 71349-1021 | | 71349-1055 | | 71349-1089 | |
| 48 | 71349-2022 | | 71349-2056 | | 71349-2090 | | 48 | 71349-1022 | | 71349-1056 | | 71349-1090 | |
| 50 | 71349-2023 | 71349-6023 | 71349-2057 | 71349-8057 | 71349-2091 | 71349-4091 | 50 | 71349-1023 | 71349-9023 | 71349-1057 | 71349-0057 | 71349-1091 | 71349-5057 |
| 52 | 71349-2024 | | 71349-2058 | | 71349-2092 | | 52 | 71349-1024 | | 71349-1058 | | 71349-1092 | |
| 54 | 71349-2025 | | 71349-2059 | | 71349-2093 | | 54 | 71349-1025 | | 71349-1059 | | 71349-1093 | |
| 56 | 71349-2026 | | 71349-2060 | | 71349-2094 | | 56 | 71349-1026 | | 71349-1060 | | 71349-1094 | |
| 58 | 71349-2027 | | 71349-2061 | | 71349-2095 | | 58 | 71349-1027 | | 71349-1061 | | 71349-1095 | |
| 60 | 71349-2028 | | 71349-2062 | | 71349-2096 | | 60 | 71349-1028 | | 71349-1062 | | 71349-1096 | |
| 62 | 71349-2029 | | 71349-2063 | | 71349-2097 | | 62 | 71349-1029 | | 71349-1063 | | 71349-1097 | |
| 64 | 71349-2030 | | 71349-2064 | | 71349-2098 | | 64 | 71349-1030 | | 71349-1064 | | 71349-1098 | |
| 66 | 71349-2031 | | 71349-2065 | | 71349-2099 | | 66 | 71349-1031 | | 71349-1065 | | 71349-1099 | |
| 68 | 71349-2032 | | 71349-2066 | | 71349-2100 | | 68 | 71349-1032 | | 71349-1066 | | 71349-1100 | |
| 70 | 71349-2033 | | 71349-2067 | | 71349-2101 | | 70 | 71349-1033 | | 71349-1067 | | 71349-1101 | |
| 72 | 71349-2034 | | 71349-2068 | | 71349-2102 | | 72 | 71349-1034 | | 71349-1068 | | 71349-1102 | |

| ADD 71349-9005 EC NO: UCP2009-1089 DRAWN/KIPPER 2009/02/18 CHKD:SSOUSEK 2009/02/18 APPR:FSMLTH 2009/02/25 REV: J1 | QUALITY SYMBOLS ▽=0 ▽=0 | GENERAL TOLERANCES (UNLESS SPECIFIED) <table border="1"> <tr><th></th><th>mm</th><th>INCH</th></tr> <tr><td>4 PLACES</td><td>± ---</td><td>± ---</td></tr> <tr><td>3 PLACES</td><td>± ---</td><td>± ---</td></tr> <tr><td>2 PLACES</td><td>± ---</td><td>± ---</td></tr> <tr><td>1 PLACE</td><td>± ---</td><td>± ---</td></tr> </table> | | mm | INCH | 4 PLACES | ± --- | ± --- | 3 PLACES | ± --- | ± --- | 2 PLACES | ± --- | ± --- | 1 PLACE | ± --- | ± --- | DIMENSION STYLE IN/MM DRAWN BY DATE MGM 06/10/1996 CHECKED BY DATE DJB 06/10/1996 APPROVED BY DATE DJB 06/10/1996 | SCALE --- DESIGN UNITS INCH THIRD ANGLE PROJECTION | TITLE SALES ASSY,4-SIDES SHROUDED, HIGH TEMP, SMT POLAR SLOTS, .150 GRID MOLEX INCORPORATED | MATERIAL NO. SEE TABLE DOCUMENT NO. SDA-71349-**** SHEET NO. 3 OF 4 |
|---|-------------------------------|--|-------|----|------|----------|-------|-------|----------|-------|-------|----------|-------|-------|---------|-------|-------|---|---|---|---|
| | | mm | INCH | | | | | | | | | | | | | | | | | | |
| | 4 PLACES | ± --- | ± --- | | | | | | | | | | | | | | | | | | |
| | 3 PLACES | ± --- | ± --- | | | | | | | | | | | | | | | | | | |
| | 2 PLACES | ± --- | ± --- | | | | | | | | | | | | | | | | | | |
| 1 PLACE | ± --- | ± --- | | | | | | | | | | | | | | | | | | | |
| DRAFT WHERE APPLICABLE MUST REMAIN WITHIN DIMENSIONS | | THIS DRAWING CONTAINS INFORMATION THAT IS PROPRIETARY TO MOLEX INCORPORATED AND SHOULD NOT BE USED WITHOUT WRITTEN PERMISSION | | | | | | | | | | | | | | | | | | | |