

DUAL ULTRAFAST RECTIFIERS

PART #	V_{RWM} (V)	$I_{F(AV)}$ (A @ $T_C = 25^\circ\text{C}$)	t_{rr} (ns)	V_F (V @ 25°C)	CASE STYLE
--------	------------------	--	------------------	------------------------------------	------------

SM3U62*SU	600	30	50	1.50 @ 15A	T0258AA
SM3U42*SU	400	30	50	1.25 @ 15A	T0258AA
SM3U22*SU	200	30	50	1.25 @ 15A	T0258AA
SM3U52*SU	150	30	25	1.10 @ 15A	T0258AA
SM3U12*SU	100	30	25	1.10 @ 15A	T0258AA
SM8U62*SU	600	20	50	1.50 @ 15A	T0257AB
SM8U42*SU	400	20	50	1.25 @ 15A	T0257AB
SM8U22*SU	200	20	50	1.25 @ 15A	T0257AB
SM8U52*SU	150	20	25	1.10 @ 15A	T0257AB
SM8U12*SU	100	20	25	1.10 @ 15A	T0257AB
SM1U62*SU	600	16	75	1.50 @ 8A	T0257AA
SM1U42*SU	400	16	50	1.30 @ 8A	T0257AA
SM1U22*SU	200	16	50	1.30 @ 8A	T0257AA
SM1U52*SU	150	16	25	0.98 @ 8A	T0257AA
SM1U12*SU	100	16	25	0.98 @ 8A	T0257AA

* SUBSTITUTE "P" FOR POSITIVE CENTER TAP CONFIGURATION
 "N" FOR NEGATIVE CENTER TAP CONFIGURATION
 "D" FOR DOUBLER CONFIGURATION

DUAL SCHOTTKY RECTIFIERS

PART #	V_{RWM} (V)	$I_{F(AV)}$ (A @ $T_C = 100^\circ\text{C}$)	V_F (V @ 25°C)	CASE STYLE
--------	------------------	---	------------------------------------	------------

SM3S42*SU	45	30	0.60 @ 15A	T0258AA
SM8S42*SU	45	20	0.65 @ 10A	T0257AB
SM1S41*SU	45	16	0.65 @ 8A	T0257AA
SM1S01*SU	100	16	0.87 @ 8A	T0257AA

* SUBSTITUTE "P" FOR POSITIVE CENTER TAP CONFIGURATION
 "N" FOR NEGATIVE CENTER TAP CONFIGURATION
 "D" FOR DOUBLER CONFIGURATION

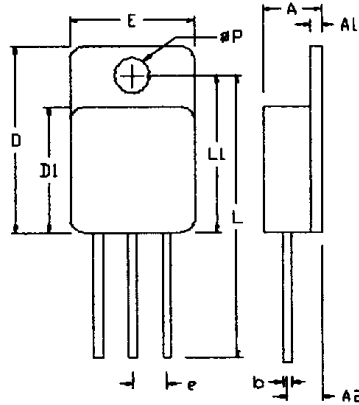
LINEAR VOLTAGE REGULATORS

PART #	DESCRIPTION	OUTPUT VOLTAGE (V)	I_o MAX (A)	MIN V_{IN} MAX (VOLTS)	CASE STYLE
--------	-------------	-----------------------	------------------	-----------------------------	------------

SM1R41BSU	POSITIVE ADJUSTABLE	1.2 TO 37	1.5A	5.0	40	T0257AA
SM1R81BSU	NEGATIVE ADJUSTABLE	1.2 TO 37	1.5A	5.0	40	T0257AA
SM1R41LSU	POSITIVE ADJUSTABLE LOW DROPOUT VOLTAGE	1.2 TO 23	1.5A	3.5	25	T0257AA
SM1R11BSU	POSITIVE FIXED	5.0	2.5	7.5	35	T0257AA
SM1R21BSU	POSITIVE FIXED	12.0	2.5	14.5	35	T0257AA
SM1R31BSU	POSITIVE FIXED	15.0	2.5	17.5	35	T0257AA
SM1R51BSU	NEGATIVE FIXED	15.0	2.5	17.5	35	T0257AA
SM1R61BSU	NEGATIVE FIXED	15.0	2.5	17.5	35	T0257AA
SM1R71BSU	NEGATIVE FIXED	15.0	2.5	17.5	35	T0257AA

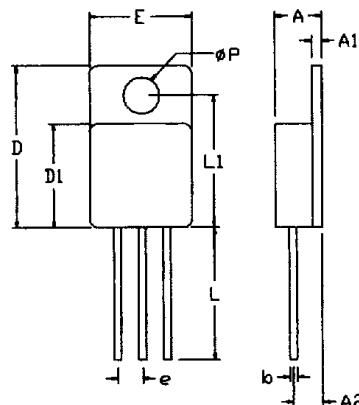
STRAIGHT LEAD TO254AA

Dim.	Millimeters		Inches	
	Min.	Max.	Min.	Max.
A	6.32	6.60	.249	.260
A1	1.02	1.27	.040	.050
A2	3.81 BSC		.150 BSC	
b	0.89	1.14	.035	.045
D	20.07	20.32	.790	.800
D1	13.59	13.84	.535	.545
e	3.81 BSC		.150 BSC	
E	13.59	13.84	.535	.545
L	30.35	31.40	L195	L235
L1	16.89	17.40	.665	.685
P	3.53	3.78	.139	.149



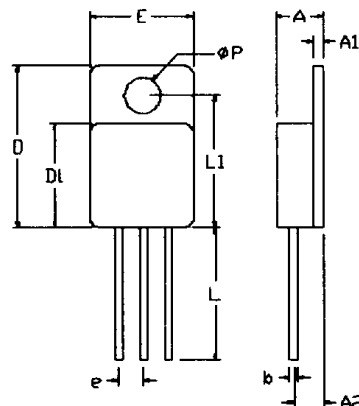
STRAIGHT LEAD TO257AA

Dim.	Millimeters		Inches	
	Min.	Max.	Min.	Max.
A	4.83	5.08	.190	.200
A1	0.89	1.14	.035	.045
A2	3.05 BSC		.120 BSC	
b	0.64	0.89	.025	.035
D	16.38	16.89	.645	.665
D1	10.41	10.92	.410	.430
e	2.54 BSC		.100 BSC	
E	10.41	10.67	.410	.420
L	12.7	19.05	.500	.750
L1	13.39	13.64	.527	.537
P	3.56	3.81	.140	.150



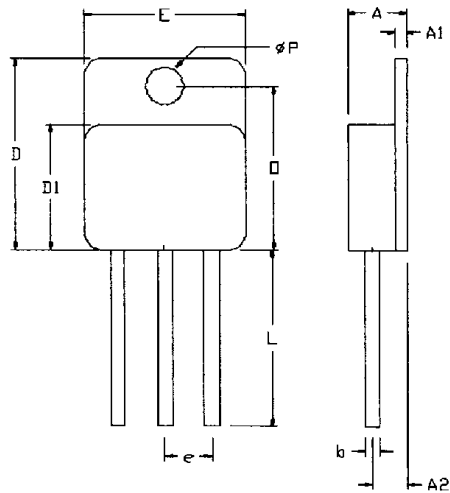
STRAIGHT LEAD TO257AB

Dim.	Millimeters		Inches	
	Min.	Max.	Min.	Max.
A	4.83	5.33	.190	.21
A1	.635	0.89	.025	.035
A2	2.79 BSC		.110 BSC	
b	.DB9	L14	.035	.045
D	16.38	16.89	.645	.665
D1	10.41	10.92	.410	.430
e	2.54 BSC		.100 BSC	
E	10.41	10.92	.410	.430
L	12.70	19.05	.500	.750
L1	13.21	13.72	.520	.540
P	3.56	3.81	.140	.150



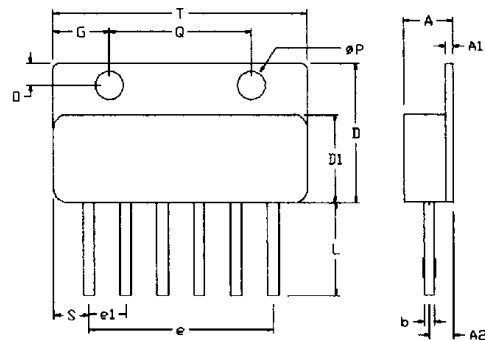
STRAIGHT LEAD TO258AA

Dim.	Millimeters		Inches	
	Min.	Max.	Min.	Max.
A	6.09	6.85	.240	.270
A1	.88	1.14	.035	.045
A2	3.55 BSC		.140 BSC	
b	1.39	1.65	.055	.065
D	20.70	21.20	.815	.835
D1	13.46	13.97	.530	.550
e	5.08 BSC		.200 BSC	
E	17.39	17.65	.685	.695
L	12.70	19.05	.500	.750
O	17.70	17.95	.697	.707
P	3.93	4.19	.155	.165



STRAIGHT LEAD 6 PIN TOP MOUNT

Dim.	Millimeters		Inches	
	Min.	Max.	Min.	Max.
A	6.10	6.60	.240	.260
A1	1.14	1.40	.045	.035
A2	3.81 BSC		.150 BSC	
b	1.40	1.65	.055	.065
D	18.8	19.3	.740	.760
D1	11.81	12.32	.465	.485
e	5.08		.200 BSC	
e1	25.27	26.67	.995	1.05
G	7.37	7.87	.290	.310
L	13.46	13.97	.530	.550
O	2.87	3.12	.113	.123
P	3.68	3.94	.145	.155
Q	19.43	19.69	.765	.775
S	4.32	5.03	.178	.198
T	34.80	35.31	1.370	1.390



12 PIN "QUADPACK"

Dim.	Millimeters		Inches	
	Min.	Max.	Min.	Max.
A	6.10	7.11	.240	.280
A1	1.14	1.40	.045	.055
b	.89	1.14	.035	.045
D	24.99	25.91	.980	1.020
E	24.89	25.91	.980	1.020
e	15.62	16.13	.615	.635
e1	2.92	3.43	.115	.135
L	4.44	6.35	.175	.250
P	3.84	4.09	.151	.161
Q	38.35	38.86	1.510	1.530
R	4.19	4.44	.165	.175
S	4.57	4.95	.180	.195
T	3.68	3.93	.145	.155

