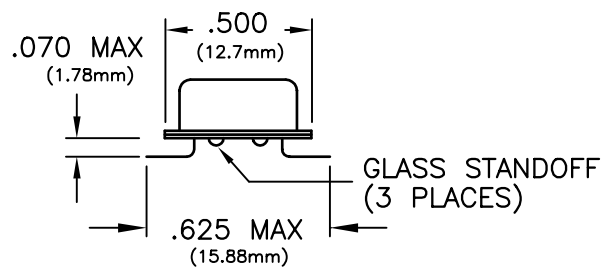
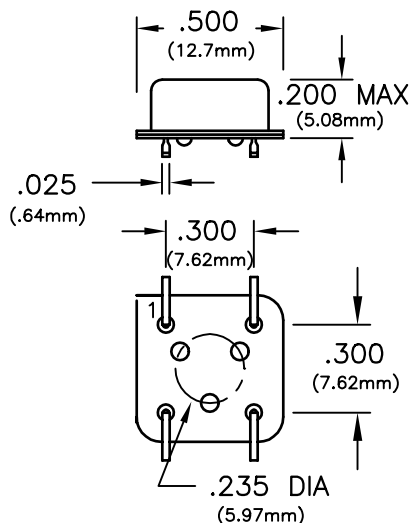


SURFACE MOUNT 8 PIN DIP HCMOS

SPECIFICATIONS	JH56R		
Frequency Range	1MHz to 70MHz		
Total Frequency Stability	±10ppm		
	(Frequency tolerance is inclusive of calibration, frequency stability vs temperature, frequency vs supply voltage, and aging.)		
Temperature Range	0°C to +70°C		
Output	Waveform	HCMOS or TTL/10LSTTL Compatible Squarewave	
	Load	50pF / 10 TTL	
	Voltage	Voh	4.5V Minimum
		Vol	0.5V Maximum
	Current	Ioh	-16mA
		Iol	16mA
	Duty Cycle	45/55 Maximum Measured at 50% level	
	Rise/Fall Time	5nS Maximum	
Input	Output E/D Time	100nS Typical	
	Enable (Vih)	2.2V Minimum	
	Disable (Vil)	0.8V Maximum	
	Oscillator output is enabled with no connection on pin 1		
Start Up Time	10mS Maximum , 3mS Typical		
Supply Voltage	+5Vdc ±5%		
Supply Current	70mA Maximum		
Package	All metal, hermetically sealed, welded package		



PIN	CONNECTION
1	RESET
4	GROUND
5	OUTPUT
8	Vcc

Dimensional Tolerance: ±.005