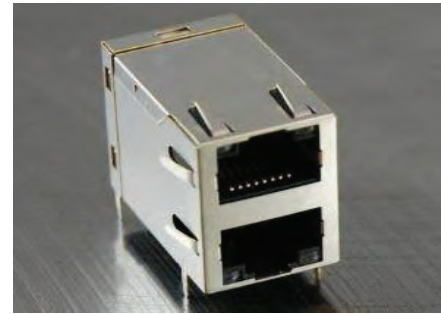




2X1 Dual Port RJ45 Connector

AR21-3787

- 10/100/1000 Base-T Gigabit for Ethernet Applications
- Operating Temp: 0°C to + 70°C
- Contact Factory for possible Industrial Temp version
- Available in other Circuit Designs
- Optional Gold Plating Thickness



Electrical Specifications @ 25°C

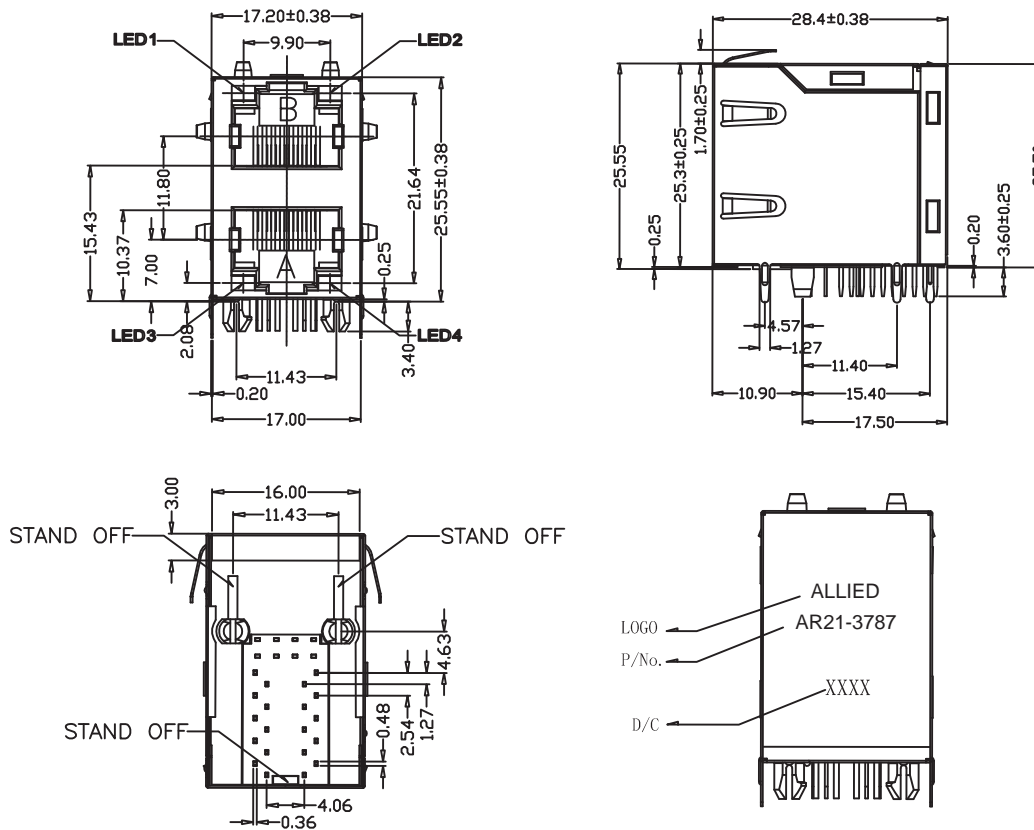
Part Number	OCL(μH Min) @ 100kHz, 0.1V With 8mA DC Bias	Turns Ratio chip: cable (±2%)	Insertion Loss (dB Max)	Return Loss (dB Min)		
	1-100MHz		1-30MHz	30-60MHz	60-80MHz	
AR21-3787	350	1:1	-1.0	-18	-18-20Log(F/30MHz)	-12

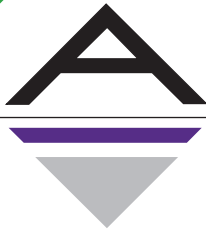
Electrical Specifications @ 25°C

Cross Talk (dB Min)					CMR (dB Min)					CDMR (dB Min)				HI-POT (Vrms) 1.0mA/3Sec.	
0.5-1MHz	10MHz	30MHz	50MHz	100MHz	0.3-1MHz	10MHz	30MHz	60MHz	100MHz	0.3-1MHz	10MHz	30MHz	60MHz		100MHz
-50	-50	-40	-35	-30	-50	-47	-42	-37	-30	-50	-50	-50	-45	-40	1500

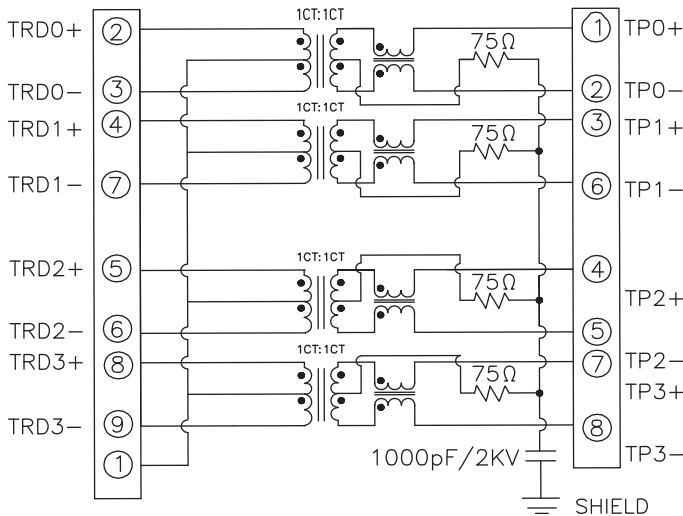
All specifications subject to change without notice.

MECHANICAL





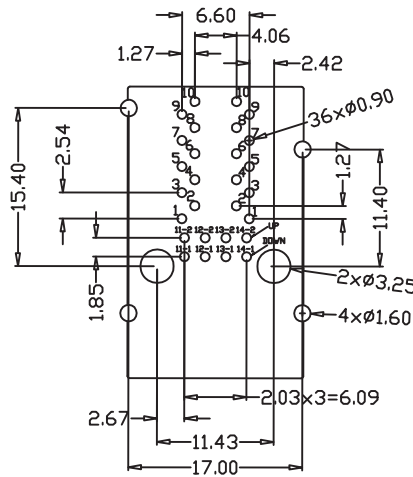
SCHEMATICS



LED Schematic Code:
R
(See chart below)

LED Code				
	Left LED		Right LED	
	+(11-1)-(12-1)	-(11-1),+(12-1)	+(13-1),-(14-1)	-(13-1),+(14-1)
	+(11-2)-(12-2)	-(11-2),+(12-1)	+(13-2),-(14-2)	-(13-2),+(14-2)
A	Green	-	Yellow	-
B	Yellow	-	Green	-
C	Green	-	Green	-
D	-	Green	-	Yellow
E	-	Yellow	-	Green
F	Yellow	-	Orange	Green
G	Orange	Green	Yellow	-
H	Green	Yellow	Green	-
I	Green	Orange	Yellow	-
J	Green	Yellow	Green	Yellow
K	Green	-	Green	Yellow
L	Yellow	-	Green	Orange
M	Green	Orange	Green	-
R	Yellow	-	-	Green

PCB LAYOUT



RECOMMENDED PCB LAYOUT COMPONENT SIDE
ALL DIMENSION TOLERANCE ARE ±0.05 UNLESS OTHERWISE SPECIFIED

NOTES

- Shield- 0.20mm THICKNESS BRASS C2680 H. PLATING NICKEL 20u" Min
- Housing- Standard Material High Temperature FR52,Glass filled Polyester UL94V-0 Standard Color Black.
- RJ Terminal- Plastic: FR52, UL94V-0, Standard Color Black.
Pin: 0.35mm Thickness Phos-Bronze C5210 EH.
Plating: Nickel 30u"-50u" for all and Sn 100%, and 30u" Gold Plating.
- Input Terminal: FR52, Glass Filled, UL94V-0, Standard Color Black.
Pin: 0.35mm Thickness Phos-Bronze C5191.
Plating: Nickel 30u"-50u" for all and Sn 100%.