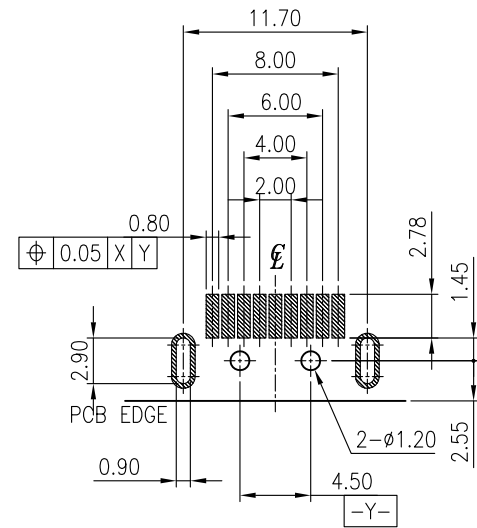
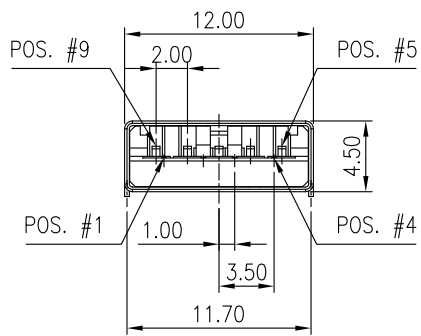
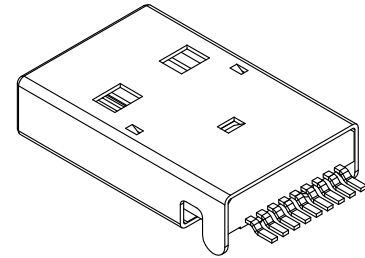
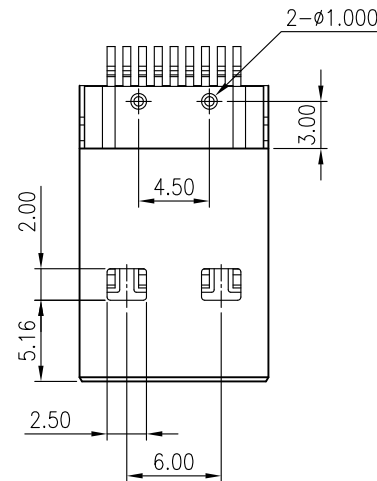
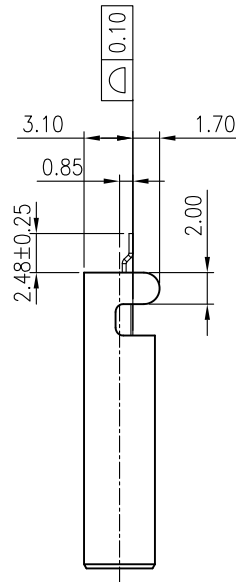
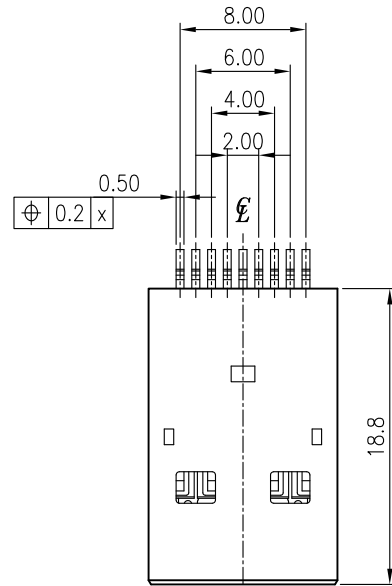


This document is the property of Amphenol Corporation and is delivered on the express condition that is not to be disclosed, reproduced or used, in whole or in part, for manufacture or sale by anyone other than Amphenol Corporation without its prior consent, and that no right is granted to disclose or to use any information in this document.

The marking on this product doesn't contain environmental hazardous materials per Material Specification 55-00259 for Sony GP compliant or per directive 2002/95/EC for RoHS compliant.

REVISIONS				
SYM	ECN No.	DESCRIPTION	DATE	APPROVED
AX1		UNAPPROVED REVISION	10/29/2008	Hank Hsu
AX2		MODIFIED PART NO.	08/26/2009	Roger Tsai



PRELIMINARY RELEASE
SUBJECT TO CHANGE

RECOMMEND P.C.B LAYOUT GENERAL TOLERANCE ±0.05
(COMPONENT SIDE)

- NOTES:**
- INSULATOR: HTNFR52, UL 94V-0 RATED, COLOR- BLUE
 - USB2.0 CONTACT: PHOSPHOR BRONZE, 30μ" MIN. GOLD PLATED ON MATING AREA, 120μ" MATTE TIN PLATED ON SOLDERING TAIL, 50μ" MIN. NICKEL UNDER-PLATING OVERALL
 - USB3.0 CONTACT: PHOSPHOR BRONZE, 30μ" MIN. GOLD PLATED ON MATING AREA, 120μ" MATTE TIN PLATED ON SOLDERING TAIL, 50μ" MIN. NICKEL UNDER-PLATING OVERALL
 - SHELL: SPCC, 30μ" MIN. NICKEL OVER 30μ" MIN. CU PLATED OVERALL
 - THIS PRODUCT DOESN'T CONTAIN ENVIRONMENTAL HAZARDOUS MATERIALS PER DIRECTIVE 2002/95/EC FOR RoHS.
 - THE PACKING MUST BE PER Amphenol PACKING SPECIFICATION PKS-0001

TOLERANCE		APPROVALS		DATE	TITLE		Amphenol®			
X.		DRAWN Roger Tsai		08/26/2009	USB3.0 CONNECTOR STANDARD A TYPE, PLUG R/A SMT		Amphenol Corporation Amphenol Taiwan Corporation			
X.X	±0.30	CHECKED Daniel Hsieh		08/26/2009						
X.XX	±0.20	APPROVED Roger Tsai		08/26/2009						
X.XXX	±0.10	DWG TYPE CUST DWG		PROJECT CODE OTHER	UNIT mm		SIZE A3	PART No. GSB3 164 31CEU		
ANGULAR	±1°				SCALE NA		SHEET 1 OF 1	DWG No. GSB316431CEU		
UNLESS OTHERWISE SPECIFIED					REV. AX2					