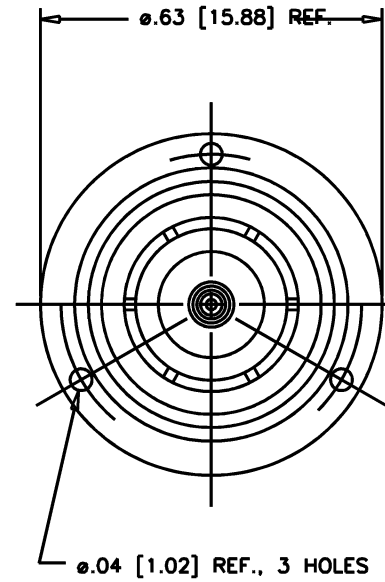
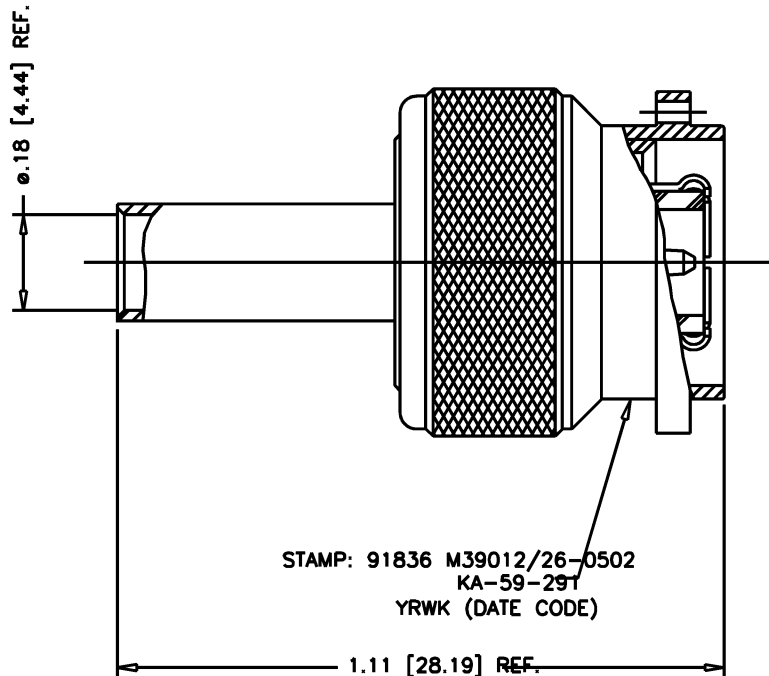


DASH NO.	M CODE	MADE FROM
----------	--------	-----------

GSD



M39012/26-0502 (SHEET 1 OF 2)

REVISIONS	
ISSUE	CHANGES
6	CN 39837 C REDRAWN DRK 03/13/07

- NOTES:
- FOR USE WITH RG-58, 58A, 58C, 141, & 141A/U CABLES.
 - FOR CRIMPING USE CRIMP DIE SIZE 07.
 - FOR CABLING INSTRUCTIONS SEE CP-465.
 - CENTER CONTACT TO HAVE ONE YELLOW AND ONE BLUE BAND.
 - MATERIALS:
 OUTER CONTACT: BER. COP., ASTM-B194
 INSULATOR: TEFLON, ASTM-D4894
 GASKET: SILICONE RUBBER, A-A-59588
 C-RING: PHOS. BRONZE, ASTM-B103
 - ALL DIMENSIONS IN INCHES [MM].

SCALE	4:1
APPROX SURFACE AREA	KA-59-291
USED ON	
REF:	
PLUG, TNC	
DRAWN DRK	DATE 03/13/07
DESIGN LI	DATE 07/25/75
APPR.	DATE

KINGS
 ELECTRONICS CO., INC.
 ROCK HILL, SOUTH CAROLINA 29730

M39012/26-0502
 (SHEET 1 OF 2)

GSD