



Z80S183/Z80L183

***General Purpose
Integrated
Microprocessor***

Product Specification

PS000503-0201





Table of Contents

Architectural Overview	1
Block Diagram and Overview	2
Pin Descriptions	4
Operational Description	10
Processor Description	10
Processor Program Registers	10
Memory Management Unit	10
Device and Version ID Registers	14
Interrupts	14
Nonmaskable Interrupt (NMI)	15
Memory	22
Input/Output	27
Clock Circuits	30
Reset Conditions	33
Power Management	33
Reduced Drive/Low Noise Features	37
I/O Ports	37
DMA Channels	40
Watch-Dog Timer	48
Programmable Reload Timers	48
Real Time Clock	51
Digital/Analog Converter	54
Analog/Digital Converter	55
Programmable Output Generator	58
Async Serial Communications Interfaces	64
Clocked Serial Input/Output Module	76
I/O Registers	80
Registers Summary	80
Basic Device Registers	83
Interrupt Registers	92
MMU Registers	94
ROM/RAM Chip Select and Wait Registers	96
I/O Port Registers	99
DMA Registers	109
Watch-Dog Timer Registers	122
Programmable Reload Timer Registers	125



Real Time Clock Registers	131
Digital-to-Analog Converter Registers	137
Analog-to-Digital Converter Registers	138
Programmable Output Generator Registers	141
Async Serial Communications Interface Registers	144
Clocked Serial I/O (CSI/O) Registers	154
Instruction Set	156
Classes of Instructions	156
Processor Flags	160
Condition Codes	161
Notation	162
Assembly Language Syntax	163
Instruction Summary	163
Op Code Map	175
Electrical Characteristics	182
Absolute Maximum Ratings	182
Standard Test Conditions	182
DC Characteristics	183
AC Characteristics	188
Capacitance	188
Timing Diagrams	189
Analog-to-Digital and Digital-to-Analog Specifications	195
10-Bit Analog-to-Digital Converter	195
10-Bit Digital-to-Analog Converter	196
Characteristic Curves	197
Application Notes/Development Tools	198
ZiLOG Debug Interface	198
Packaging	199
Ordering Information	199
Part Number Description	200
ROM Code Submission	201
Document Information	202
Change Log	202



List of Figures

Figure 1. Z80S183/Z80L183 Block Diagram	3
Figure 2. Z80S183/Z80L183 Pin Description	4
Figure 3. IORD Timing	30
Figure 4. Fundamental Mode Crystal Circuit < 20 MHz	31
Figure 5. Third-Overtone Crystal > 20 MHz	32
Figure 6. Low-Frequency Crystal Circuit	32
Figure 7. Processor/DMA Operation with Level- Sense Request	43
Figure 8. Processor/DMA Operation with Edge-Sense Request	43
Figure 9. POG Digital Data Output Entry	60
Figure 10. POG Analog Data Output Entry	61
Figure 11. POG Analog Data Input Entry	61
Figure 12. POG Interrupt Entry	62
Figure 13. POG End-Of-Sequence Entry	62
Figure 14. An Asynchronous Character	66
Figure 15. CSI/O Operation	77
Figure 16. Test Condition Load Circuit	183
Figure 17. Basic Timing	189
Figure 18. Memory Read Timing (One Wait State)	190
Figure 19. Memory Write Timing (No Wait States)	190
Figure 20. I/O Read Timing (Auto Wait State)	191
Figure 21. I/O Write Timing (Auto+One Wait State)	191
Figure 22. Bus Exchange Timing	192
Figure 23. Interrupt Timing	193
Figure 24. DMA Timing	193
Figure 25. CSI/O Timing	194
Figure 26. Capacitive Load CL vs. Switching Time	197
Figure 27. ZDI Connector on Target Board	198
Figure 28. 100-Pin VQFP Package Diagram	199



List of Tables

Table 1. Processor and Device Pin Descriptions	5
Table 2. UART and CSI/O Pin Descriptions	8
Table 3. Port and POG Pin Descriptions	9
Table 4. Analog Pin Descriptions	9
Table 5. Interrupt Offsets and Priorities	21
Table 6. Low-Power Modes	35
Table 7. Reduced Drive/Low Noise Control Bits	37
Table 8. Register Reference	40
Table 9. SAR0B value for a Source in I/O Space	44
Table 10. DAR0B Value for a Destination in I/O Space	45
Table 11. IAR1B Value	45
Table 12. DMA0 Source Mode	46
Table 13. DMA0 Destination Mode	46
Table 14. DMA1 Operating Mode	46
Table 15. Old BRG Division Factors	65
Table 16. CSI/O Clock Rate Selection	77
Table 17. On-Chip Registers	81
Table 18. Free Running Counter (0018H)	83
Table 19. Clock Control Register (001EH) CLKCR	83
Table 20. CPU Control Register (001FH) CCR	84
Table 21. Device ID Low (003BH)	85
Table 22. Refresh Control Register (0036H) RCR	85
Table 23. Revision ID (003DH)	86
Table 24. Revision ID (003DH)	86
Table 25. Device ID High (003CH)	86
Table 26. Operating Mode Control Register (003EH) OMCR	87
Table 27. I/O Control Register (003FH) IOCR	88
Table 28. Output Control Register (007DH) OCR	89
Table 29. Power Control Register (007EH) PCR	90
Table 30. System Configuration Register (007FH) SCR	91
Table 31. Interrupt Vector Low Register (0033H) IL	92
Table 32. Interrupt/Trap Control Register (0034H) ITC	92
Table 33. Int2-1 Interrupt Edge Register (0035H) IECR	93
Table 34. Common Base Register (0038H) CBR	94
Table 35. Bank Base Register (0039H) BBR	94



Table 36. Common/Bank Area Register c(003AH) CBAR	95
Table 37. Wait State Generator Control Register (006BH) WSGCR	96
Table 38. ROM Bound Register (006CH) ROMBR	97
Table 39. RAM Upper Bound Register (006EH) RAMUBR	98
Table 40. RAM Upper Boundary Register (006EH) RAMUBR	98
Table 41. Port A Data Register (0040H) DRA	99
Table 42. Port A Alternate Function Select Register (0042H) AFSA	100
Table 43. Port A Data Direction Register (0041H) DDRA	100
Table 44. Port A Output Control Register (0043H) OCRA	101
Table 45. Port B Data Register (0044H) DRB	101
Table 46. Port B Data Direction Register (0045H) DDRB	102
Table 47. Port B Alternate Function Select Register (0046H) AFSB	103
Table 48. Port C Data Register (0048H) DRC	104
Table 49. Port B Output Control Register (0047H) OCRB	104
Table 50. Port C Data Direction Register (0049H) DDRC	105
Table 51. Port C Output Control Register (004BH) OCRC	106
Table 52. Port C Alternate Function Select Register r(004AH) AFSC	106
Table 53. Port D Data Register (004CH) DRD	107
Table 54. Port D Alternate Function Select Register (004EH) AFSD	108
Table 55. Port D Data Direction Register (004DH) DDRD	108
Table 56. Port D Output Control Register (004FH) OCRD	109
Table 57. DMA0 Source Address Register Low (0020H) SAR0L	109
Table 58. DMA0 Source Address Register High (0021H) SAR0H	110
Table 59. DMA0 Source Address Register Low (0020H) SAR0L	110
Table 60. DMA0 Destination Address Register Low (0023H) DAR0L	111
Table 61. DMA0 Source Address Register B (0022H) SAR0B	111
Table 62. DMA0 Destination Address Register High (0024H) DAR0H	112
Table 63. DMA0 Destination Address Register B (0025H) DAR0B	112
Table 64. DMA0 Byte Count Register Low (0026H) BCR0L	113
Table 65. DMA0 Byte Count Register High (0027H) BCR0H	113
Table 66. DMA1 Memory Address Register Low (0028H) MAR1L	113
Table 67. DMA1 Memory Address Register High (0029H) MAR1H	114
Table 68. DMA1 Memory Address Register B (002AH) MAR1B	114
Table 69. DMA1 I/O Address Register High (002CH) IAR1H	115
Table 70. DMA1 I/O Address Register Low (002BH) IAR1L	115
Table 71. DMA1 I/O Address Register B (002DH) IAR1B	116
Table 72. DMA1 Byte Count Register Low (002EH) BCR1L	117
Table 73. DMA1 Byte Count Register High (002FH) BCR1H	118



Table 74. DMA Status Register (0030H) DSTAT	118
Table 75. DMA Mode Register (0031H) DMODE	119
Table 76. DMA Mode Register (0031H) DMODE	120
Table 77. DMA/Wait Control Register (0032H) DCNTL	121
Table 78. Watch-Dog Timer Master Register (0064H) WDTMR	122
Table 79. Watch-Dog Timer Master Register (0064H) WDTMR	123
Table 80. Watch-Dog Timer Command Register (0065H) WDTCR	124
Table 81. PRT0 Timer Data Register Low (000CH) TMDR0L	125
Table 82. PRT0 Timer Data Register High (000DH) TMDR0H	125
Table 83. PRT0 Timer Data Register Low (000CH) TMDR0L	126
Table 84. PRT0 Timer Data Register High (000DH) TMDR0H	126
Table 85. PRT0 Reload Register Low (000EH) RLDR0L	126
Table 86. PRT0 Reload Register Low (000EH) RLDR0L	127
Table 87. PRT0 Reload Register High (000FH) RLDR0H	127
Table 88. PRT1 Timer Data Register Low (0014H) TMDR1L	128
Table 89. Timer Control Register (0010H) TCR	128
Table 90. PRT1 Timer Data Register High (0015H) TMDR1H	129
Table 91. PRT1 Reload Register Low (0016H) RLDR1L	129
Table 92. PRT1 Reload Register High (0017H) RLDR1H	130
Table 93. RTC Control/Status Register (006FH) RTCCS	131
Table 94. RTC Minutes Register (0071H) RTCMIN	132
Table 95. RTC Seconds Register (0070H) RTCSEC	132
Table 96. RTC Day of the Week Register (0073H) RTCDAY	133
Table 97. RTC Hours Register (0072H) RTCHR	133
Table 98. RTC Month Register (0075H) RTCMO	134
Table 99. RTC Date Register (0074H) RTCDAT	134
Table 100. RTC Century Register (0077H) RTCC	135
Table 101. RTC Year Register (0076H) RTCYR	135
Table 102. RTC Alarm Minutes Register (0079H) ALARMM	136
Table 103. RTC Alarm Seconds Register (0078H) ALARMS	136
Table 104. DAC Control Register (0069H) DACCR	137
Table 105. RTC Alarm Hours Register (007AH) ALARMH	137
Table 106. DAC Data Register (006AH) DACDR	138
Table 107. ADC Control Register 0 (0066H) ADCC0	138
Table 108. ADC Control Register 1 (0067H) ADCC1	139
Table 109. ADC Result Register (0068H) ADCRR	140
Table 110. POG Control Register (0060H) POGCR	141
Table 111. POG Counter Low (0062H) POGCL	142



Table 112. POG Address/Type Register (0061H) POGAT	142
Table 113. POG Counter High (0063H) POGCH	143
Table 114. ASCI0 Control Register A (0000H) CNTLA0	144
Table 115. ASCI1 Control Register A (0001H) CNTLA1	145
Table 116. ASCI0 Control Register B (0002H) CNTLB0	145
Table 117. ASCI1 Control Register B (0003H) CNTLB1	146
Table 118. ASCI0 Status Register (0004H) STAT0	147
Table 119. ASCI1 Status Register (0005H) STAT1	148
Table 120. ASCI0 Tx Data Register (0006H) TDR0	148
Table 121. ASCI0 Rx Data Register (0008H) RDR0	149
Table 122. ASCI1 Rx Data Register (0009H) RDR1	149
Table 123. ASCI1 Tx Data Register (0007H) TDR1	149
Table 124. ASCI0 Extension Control Register (0012H) ASEXT0	150
Table 125. ASCI1 Extension Control Register (0013H) ASEXT1	151
Table 126. ASCI0 Time Constant Low (001AH) ASTC0L	151
Table 127. ASCI0 Time Constant High (001BH) ASTC0H	152
Table 128. ASCI1 Time Constant Low (001CH) ASTC1L	152
Table 129. ASCI0 Time Constant High (001DH) ASTC1H	153
Table 130. CSI/O Control Register (000AH) CNTR	154
Table 131. CSI/O Data Register (000BH) TRDR	155
Table 132. Load Instruction	156
Table 133. Arithmetic Instructions	156
Table 134. Logical Instructions	157
Table 135. Exchange Instructions	157
Table 136. Program Control Instructions	157
Table 137. Bit Manipulation Instructions	158
Table 138. Block Transfer Instructions	158
Table 139. Rotate and Shift Instructions	158
Table 140. Input/Output Instructions	159
Table 141. Processor Control Instructions	159
Table 142. Flag Register F	160
Table 143. Flag Settings Definitions	161
Table 144. Condition Codes	161
Table 145. Symbols	162
Table 146. Instruction Summary	164
Table 147. Op Code Map (First Op Code)	175
Table 148. Op Code Map (Second Op Code after 0CBH)	176
Table 149. Op Code Map (Second Op Code After 0DDH)	177



Table 150. Op Code Map (Second Op Code After 0EDH) 178
Table 151. Op Code Map (Second Op Code After 0FDH) 179
Table 152. Op Code Map (Fourth Byte, after 0DDH, 0CBH, and d) 180
Table 153. Op Code Map (Fourth Byte, after 0FDH, 0CBH, and d) 181
Table 154. Absolute Maximum Ratings 182
Table 155. DC Characteristics, TA = 0°C to +70°C 183
Table 156. AC Characteristics, TA = 0°C to +70°C, CL = 100 pF 184



Document Conventions

Document Assumptions and Conventions

The following assumptions and conventions have been adopted to provide clarity and ease of use:

- **Use of the Words *Set* and *Clear***

The words *set* and *clear* imply that a register bit or a condition has the value of *logical 1* and *logical 0* respectively. When the terms *set* and *clear* are followed by a number, often in parentheses, the word *logical* may not be included, but it is implied.

- **Notation for Bits and Similar Registers**

A field of bits within a register are designated as: Register (*n..n*). For example: PWM_CR (31..20). A field of bits within a bus are designated as: Bus_{*n..n*}. For example: PCntl_{7..4}. A range of similar (whole) registers is designated as: Register_{*n..n*}. For example: OPBCS5..OPBCS0.

- **Use of the Terms *LSB* and *MSB***

In this document, the terms *LSB* and *MSB* mean *least significant bit* and *most significant bit* respectively.

- **Courier Font**

Commands, code lines and fragments, register and other mnemonics, values, equations, and various executable items are distinguished from general text by the use of the Courier font. This convention is not used within tables. Where the use of the font is not possible, as in the Index, the name of the entity is capitalized. For example: The STP bit in the CNTR register must be 1.

- **Hexadecimal Values Designated by H**

Hexadecimal values are designated by an upper-case letter H as well as the use of Courier font. For example: STAT is set to F8H.

- **Use of All Upper-Case Letters**

The use of all upper-case letters designates the names of states and commands. For example: The receiver can force the SCL line to Low for force the transmitter into a WAIT state. The bus is considered BUSY after the Start condition. A START command triggers the processing of the initialization sequence.

- **Use of Initial Upper-Case Letters**

Initial upper-case letters designate settings, modes, and conditions in general text. For example: The Slave receiver leaves the data line High. In Transmit mode, the byte is sent most significant bit first. The Master can generate a Stop condition to abort the transfer.



- Register Access Abbreviations

Register access is designation by the following abbreviations:

Designation	Description
R	Read Only
R/W	Read/Write
W	Write Only
–	Unspecified or indeterminate

- Use of Fewer Bits Than in a Register Field

When a register field is comprised of multiple bits, a value for the field may be stated as a single number. For example: The reset value for an 8-bit field may be described as 0 when the register contains 8 bits that each have the value 0.

Precharacterization Product

The product represented by this document is newly introduced and ZiLOG has not completed the full characterization of the product. The document states what ZiLOG knows about this product at this time, but additional features or non-conformance with some aspects of the document may be found, either by ZiLOG or its customers in the course of further application and characterization work. In addition, ZiLOG cautions that delivery may be uncertain at times, due to start-up yield issues.

Copyright and Disclaimer

©2001 by ZiLOG, Inc. All rights reserved. Information in this publication concerning the devices, applications, or technology described is intended to suggest possible uses and may be superseded. ZiLOG, INC. DOES NOT ASSUME LIABILITY FOR OR PROVIDE A REPRESENTATION OF ACCURACY OF THE INFORMATION, DEVICES, OR TECHNOLOGY DESCRIBED IN THIS DOCUMENT. ZiLOG ALSO DOES NOT ASSUME LIABILITY FOR INTELLECTUAL PROPERTY INFRINGEMENT RELATED IN ANY MANNER TO USE OF INFORMATION, DEVICES, OR TECHNOLOGY DESCRIBED HEREIN OR OTHERWISE. Except with the express written approval of ZiLOG, use of information, devices, or technology as critical components of life support systems is not authorized. No licenses are conveyed, implicitly or otherwise, by this document under any intellectual property rights.

ZiLOG, Inc.
910 East Hamilton Avenue, Suite 110
Campbell, CA 95008
Telephone (408) 558-8500
FAX 408 558-8300

Internet: [HTTP://WWW.ZILOG.COM](http://www.ZILOG.COM)



Architectural Overview

The Z80S183/Z80L183 is a general-purpose integrated microprocessor. It includes the Z180 processor, 32 bits of general purpose I/O, an Analog-to-Digital converter with eight multiplexed inputs, a Programmable Output Generator, a Digital-to-Analog converter, a Watch-Dog Timer, two ASCII channels, two timers, a CSI/O channel, a Real Time Clock, 2KB of on-chip RAM, and 1KByte of on-chip ROM. It is packaged in a 100-pin VQFP.

The Z80S183/Z80L183 includes the following features:

- Code-compatible with Z80 & Z180
- On-chip wait state generator
- Two enhanced UART channels (ASCIs)
- Two 16-bit counters
- Three interrupt request inputs, two with optional edge-triggering
- Real time clock
- Two on-chip oscillators
- DC-to-30MHz operating frequency @ 5.0V
- DC-to-20MHz operating frequency @ 3.3V
- Clock divide by 2X or 1X
- Fully static CMOS design with low-power STANDBY mode
- 2 KB of on-chip RAM
- 1 KB of on-chip ROM
- Eight 10-bit A/D channels
- One 10-bit D/A
- 32 bits of general-purpose I/O
- Programmable Output Generator (POG)
- Watch-Dog Timer (WDT)
- Clocked Serial I/O Interface (CSI/O)
- ZiLOG Debug Interface (ZDI)
- Power-down logic
- ASCII Tx complete output
- Economical 100-pin VQFP



- Interrupts on ports A and D

Block Diagram and Overview

Figure 1 illustrates the block diagram for the Z80S183/Z80L183. In addition to a Z8S180-compatible processor, it includes the following modules:

- 32 Bits of General Purpose I/O.
- Four 8-bit ports are selectively multiplexed with on-chip peripheral functions (ASCIs, CSI/O, PRT, POG), and are individually programmable as inputs or outputs. Each I/O pin can source and sink 15mA.
- Programmable Output Generator.
- An engine that is independent of the processor, that can drive programmable waveforms onto 8 digital outputs, as well as initiating A/D and D/A conversions.
- Two ASCI Channels.
- Asynchronous serial channels with baud rate generators, modem control, and status.
- Two 16-bit Timers.
- Down-counters with interrupt capability.
- CSI/O.
- Clocked serial I/O can be used for serial memory or peripheral interface.
- Watch-Dog Timer.
- This circuit helps detect code runaway and helps minimize its negative effects. A range of time-out values is available. The $\overline{\text{RESET}}$ pin can be forced Low at the terminal count of the Watch-Dog Timer.
- Eight Channel Analog-To-Digital Converter.
- A 10-bit converter with eight multiplexed inputs.
- Digital to Analog Converter.
- 10-bit resolution.
- 2KB of On-Chip RAM.
- Used for stack and other read/write operations.

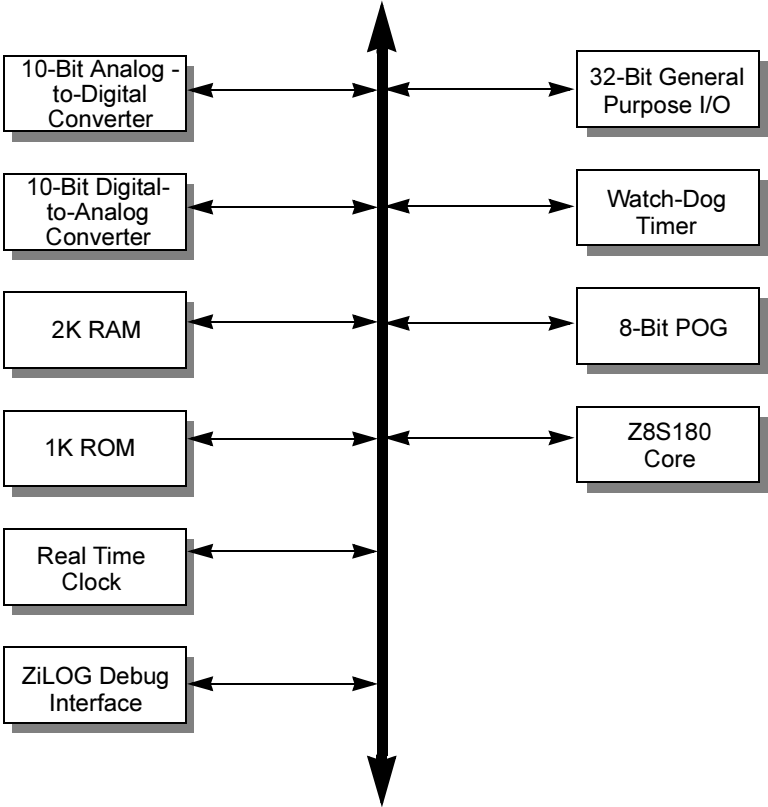


Figure 1. Z80S183/Z80L183 Block Diagram



Pin Descriptions

Figure 2 illustrates the Z80S183/Z80L183 pinout. Table 2 describes the processor and device pins. Table 2 describes the Asynchronous Serial Communications Interface (ASCI) and Clocked Serial I/O (CSI/O) pins. Table 3 describes the Port and Programmable Output Generator (POG) pins. Table 4 describes the analog pins.

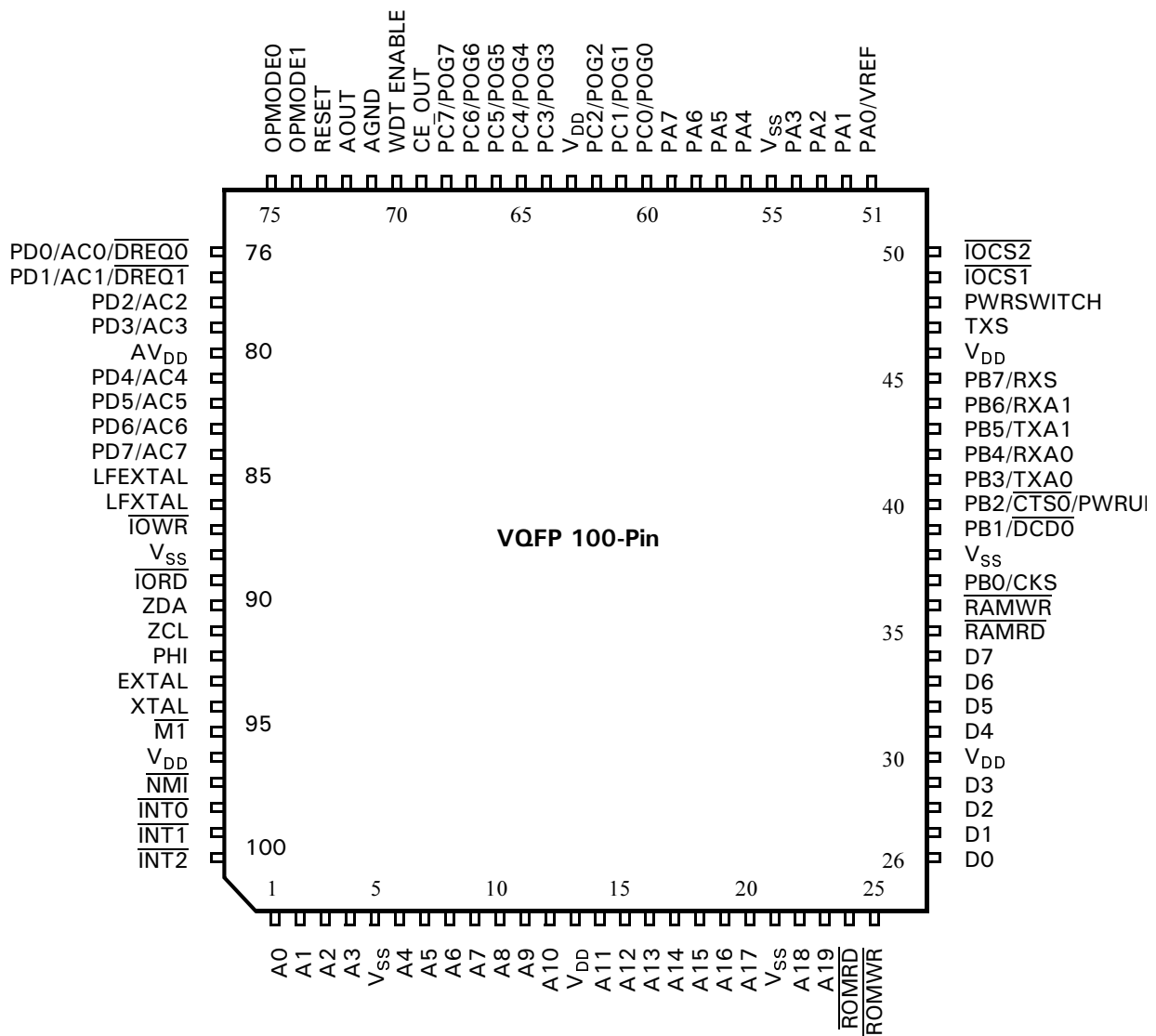


Figure 2. Z80S183/Z80L183 Pin Description



Table 1. Processor and Device Pin Descriptions

Symbol	Pin #	Function	Type	Description
A19–0	1–4, 6–12, 14–20, 22–23	Address Bus	Bidirectional, 3-state	These lines select a location in memory or I/O space to be read or written. The Z80S183/Z80L183 does not drive these lines during Reset nor external bus acknowledge cycles. Drive is optional during LOW-POWER modes.
CE_OUT	69	Chip Enable Out	Open drain output	An open-drain output, with no internal pull-up. Can be used to enable an external RAM, as described in “Using the Power Control Register” on page 33.
D7–0	26–29, 31–34	Data Bus	Bidirectional, 3-state	These lines transfer information to and from I/O and memory devices. The Z80S183/Z80L183 drives these lines only during write cycles.
EXTAL	93	Oscillator or Clock In	Input	This pin can be connected to a crystal or to an external clock. When a crystal is used, this signal is not a logic level.
INT0	98	Interrupt Request 0	Input, active Low	This signal can be driven Low in an open-drain fashion by external I/O devices. The processor responds to this request at the end of the <u>current instruction cycle</u> if it is enabled, and the <u>NMI</u> and <u>BUSREQ</u> signals are inactive. This pin can only be used in Z80/180 Mode 1, in which the processor acknowledges this request by interrupting to location 0038H.
INT1–2	99, 100	Interrupt Requests 1–2	Inputs, active Low or edge-triggered	These signals are generated by external devices. The processor acknowledges a request on one of these lines at the end of the <u>current instruction cycle</u> , so long as the <u>NMI</u> , <u>BUSREQ</u> , and <u>INT0</u> signals are inactive. The processor acknowledges one of these requests with an internal cycle, in which a fixed vector corresponding to one of the pins is used to select an interrupt service routine. These pins may be programmed for active Low level, rising or falling <u>edge interrupts</u> . The state of the external <u>INT1</u> and <u>INT2</u> pins can be read in the Interrupt Edge Register.
IOCS1–2	49, 50	I/O Chip Selects 1–2	Outputs, active Low	When Bit 2 of the System Control register (SCR) is 1, IOCS1 goes Low for accesses to I/O addresses 0080–87H, and IOCS2 goes Low for accesses to 0088–8FH.



Table 1. Processor and Device Pin Descriptions (Continued)

Symbol	Pin #	Function	Type	Description															
IORD	89	I/O Read	Output, active Low, 3-state	IORD Low indicates that the Z80S183/Z80L183 is reading data from a location in I/O space. The addressed I/O device uses this signal to gate data onto the processor data bus. The Z80S183/Z80L183 does not drive this line during Reset, nor during bus acknowledge cycles.															
IOWR	87	I/O Write	Output, active Low, 3-state	IOWR indicates that Bits D7–0 hold valid data to be stored at the addressed I/O location. The Z80S183/Z80L183 does not drive this line during Reset, nor during bus acknowledge cycles.															
LFExtal	85	Low-Frequency Crystal or Clock	Input	A low-frequency crystal or line frequency input can be connected to this pin, for use by the real time clock. A low-frequency crystal can be also used with the FLL for a system clock.															
LFXTAL	86	Low Frequency Crystal	Output	A low-frequency crystal can be connected to this pin, for use by the Real Time Clock or as the system clock.															
M1	95	Machine Cycle 1	Output, active Low	Together with $\overline{\text{ROMRD}}$ or $\overline{\text{RAMRD}}$, $\overline{\text{M1}}$ Low indicates that the current cycle is the fetch cycle of an instruction execution.															
NMI	97	Nonmaskable Interrupt	Input, falling-edge active	$\overline{\text{NMI}}$ has a higher priority than $\overline{\text{INT0}}$ and is always recognized at the end of an instruction, regardless of the state of the interrupt enable flip-flops. This signal forces processor execution to location 0066H. This input includes a Schmitt trigger to allow RC rise times.															
OPMODE0-1	74–75	Operating Mode Select 1, 0	Inputs	These pins select the basic operating mode of the Z80S183/Z80L183. A rising edge on OPMODE1 makes the Z80S183/Z80L183 generate a Power On Reset (POR), and subsequently enter Boot mode. <table border="0" style="margin-left: 20px;"> <tr> <td>OPMODE1</td> <td>OPMODE0</td> <td>Operating Mode</td> </tr> <tr> <td>L</td> <td>L</td> <td>Normal</td> </tr> <tr> <td>L</td> <td>H</td> <td>Reserved</td> </tr> <tr> <td>H</td> <td>L</td> <td>$\overline{\text{Internal ROM}}$ enabled</td> </tr> <tr> <td>H</td> <td>H</td> <td>$\overline{\text{BUSREQ}}$ is generated</td> </tr> </table>	OPMODE1	OPMODE0	Operating Mode	L	L	Normal	L	H	Reserved	H	L	$\overline{\text{Internal ROM}}$ enabled	H	H	$\overline{\text{BUSREQ}}$ is generated
OPMODE1	OPMODE0	Operating Mode																	
L	L	Normal																	
L	H	Reserved																	
H	L	$\overline{\text{Internal ROM}}$ enabled																	
H	H	$\overline{\text{BUSREQ}}$ is generated																	
PHI	92	System Clock	Output	This output is the Z80S183/Z80L183's master clock, and is provided for use by external logic. The frequency of this clock may be equal to or half of the crystal or input clock frequency, depending on an internal register bit.															



Table 1. Processor and Device Pin Descriptions (Continued)

Symbol	Pin #	Function	Type	Description
PWRSWITCH	48	Power Switch	Output	This pin is a positive logic output controlled by Bit 5 of the Power Control register. Bit 5 resets to 0, so this pin goes Low at any Reset, including one initiated by a rising edge on PWRUP or OPMOD1. See “Using the Power Control Register” on page 33.
PWRUP	40	Power Up	Input	When Bit 6 is 1 in the Power Control Register, a rising edge on PB2/CTS0/PWRUP resets the part, as described in “Using the Power Control Register” on page 33.
RAMRD	35	RAM Read	Output, active Low, 3-state	RAMRD Low indicates that the processor reads data from a memory location in the address range of external RAM. The Z80S183/Z80L183 does not drive this line during Reset, nor during bus acknowledgment.
RAMWR	36	RAM write	Output, active Low, 3-state	RAMWR Low indicates D7–D0 hold data to be stored at a memory location in the address range of external RAM. The Z80S183/Z80L183 does not drive this line during Reset, nor during bus acknowledgement.
RESET	73	Master Reset	Input/Output, active Low	This signal initializes the Z80S183/Z80L183 and other devices in the system. This input must be Low for a minimum of six system clock cycles, and is held Low until the clock is stable. $\overline{\text{RESET}}$ can be programmed as an output, allowing Z80S183/Z80L183 to reset external devices. The Power On Reset and Watch-Dog Timer (if enabled) blocks perform a global reset by forcing $\overline{\text{RESET}}$ Low. This input includes a Schmitt trigger to allow RC rise times.
ROMRD	24	ROM Read	Output, active Low, 3-state	ROMRD Low indicates that the processor wants to read data from a memory location in the address range of external ROM/Flash. The Z80S183/Z80L183 does not drive this line during reset, nor during bus acknowledge cycles.
ROMWR	25	ROM Write	Output, active Low, 3-state	ROMWR Low indicates that D7–0 hold a byte to be stored at the addressed memory location in the address range of external Flash memory. The Z80S183/Z80L183 does not drive this line during Reset, nor during bus acknowledge cycles.



Table 1. Processor and Device Pin Descriptions (Continued)

Symbol	Pin #	Function	Type	Description
V _{DD}	13, 30, 46, 63, 96	Power Supply		These pins carry power to the device. They must be tied to the same voltage externally.
V _{SS}	5, 21, 38, 55, 88	Ground		These pins are the ground references for the device. They must be tied to the same voltage externally.
WDT Enable	70	Watch-Dog Timer Enable	Input	When this pin is High, the Watch-Dog Timer cannot be disabled by software nor by Reset. When this pin is Low at power-up, these three events occur: – A Power On Reset disables the Watch-Dog Timer. – A WDT Reset does not change the status of the WDT. – Software can enable or disable it as needed.
XTAL	94	Crystal	Input/Output	Crystal oscillator connection. This pin is left open if an external clock is used instead of a crystal. This pin does not carry a logic level. (See “DC Characteristics” on page 183.)
ZCL	91	ZDI Clock	Input	The clock for the ZiLOG Debugging Interface. This input includes a Schmitt trigger.
ZDA	90	ZDI Data	Input/output, open drain	Data for the ZiLOG Debugging Interface. This input includes a Schmitt trigger.

Table 2. UART and CSI/O Pin Descriptions

Symbol	Pin #	Function	Type	Description
CTS0	40	Clear To Send 0	Input, active Low	Transmit control signal for ASCI channel 0.
DCD0	39	Data Carrier Detect 0	Input, active Low	Receive control signal for ASCI channel 0.
RXA0–1	42, 44	Receive Data 0, 1	Inputs	ASCI Receive data.
RXS	45	CSI/O Receive Data	Input	Receive data for the CSI/O channel.
TXA0–1	41, 43	Transmit Data 0, 1	Outputs	ASCI Transmit data.
TXS	47	CSI/O Transmit Data	Output	Transmit data from the CSI/O channel.



Table 3. Port and POG Pin Descriptions

Symbol	Pin #	Function	Type	Description
PA7–0	51–54, 56–59	Port A	Input/outputs	These pins can be configured as inputs or outputs, with or without level-sensitive, active Low interrupt request capability, on a bit-by-bit basis.
PB7–0	37, 39–45	Port B	Input/outputs	These pins can be configured as port inputs or outputs, or ASCII or CSI/O signals, on a bit-by-bit basis.
PC7–0	60–62, 64–68	Port C	Input/outputs	These pins can be configured as port inputs or outputs, or Programmable Output Generator outputs, on a bit-by-bit basis. Also, PC0 can be used as a 50 or 60 Hz time base for the real time Clock.
PD7–0	76–79, 81–84	Port D	Input/outputs	These pins can be configured as inputs or outputs, with or without level-sensitive, active Low interrupt request capability, or as inputs to the A/D converter, on a bit-by-bit basis. PD0 and PD1 can also act as DREQ0 and DREQ1 respectively.

Table 4. Analog Pin Descriptions

Symbol	Pin #	Function	Type	Description
AC7–0	76–79, 81–84	Analog Channels	Inputs	Inputs to the Analog to Digital converter.
AGND	71	Analog Ground		Reference ground for the analog circuitry.
AOUT	72	Analog Output	Output	The output of the Digital to Analog converter.
AV _{DD}	80	Analog Power		Power for the analog circuitry.
VREF	51	External Analog Reference	Input	External analog reference voltage, multiplexed with PA0.



Operational Description

This section describes, using text, tables, and figures, how the various parts of the Z80S183/Z80L183 operate. This description is presented from the processor outward to the peripherals. In the latter parts of this section, refer to the corresponding section of “I/O Registers” on page 80 that presents the Z80S183/Z80L183’s I/O registers. Cross-reference links are included in both sections to aid these references.

Processor Description

The Z80S183/Z80L183 is an 8-bit microprocessor that performs certain 16-bit operations. In both data sizes, the processor includes an accumulator. Register A is the accumulator for 8-bit operations, and the HL register pair is the accumulator for 16-bit operations.

Processor Program Registers

In addition to register A, there are six more 8-bit registers named B, C, D, E, H, and L that can also be operated on as 16-bit register pairs BC, DE, and HL. Flag register F completes the basic register bank.

Two of these basic register banks are included in all Z80 and Z180 processors. High-speed exchange between these banks can be used by a program internally, or one bank can be allocated to the mainline program and the other to interrupt service routines.

Finally, two Index registers IX and IY allow ‘base and displacement’ addressing in memory. IX and IY are not included in the register banks on the Z80 and Z180; there is only one copy of each.

Memory Management Unit)

To the 16-bit, 64 KB memory addressing capability of the Z80, all Z180 processors add a Memory Management Unit (MMU) that expands the addressing capability to 20 bits (1 MB). With the MMU, the 64 KB logical addressing space can be divided into one to three areas of programmable size and location in the 1-MB physical memory space.

I/O Space

A separate I/O space includes on-chip and off-chip peripheral devices. On the Z80, I/O space included 8-bit addresses and 256 bytes. All Z180 processors feature an expanded I/O space with 16-bit addresses and 64 KB. The Z80S183/Z80L183 includes an extensive set of on-chip peripherals in I/O space that can be augmented by external peripherals.



Processor Control Registers

In addition to the data-oriented registers described above, the Z80S183/Z80L183 processor includes several other control registers. Unlike the registers in I/O space, which are described in Section 4, these control registers have no addresses, but are used implicitly in certain processor operations.

Program Counter (PC)

This 16-bit register tracks program execution by the processor that automatically increments PC while fetching instructions. The processor stores PC on the stack when it executes a `CALL` or `RST` instruction, or an interrupt or `TRAP` occurs. The processor loads PC with a new value when it executes a `JUMP`, `CALL`, `RST`, or `RET` instruction, and when an interrupt, Trap, or Reset occurs. PC resets to 0000.

Stack Pointer (SP)

The processor decrements this 16-bit register by 2, and stores a 16-bit value in memory at this updated address, when it executes a `PUSH`, `CALL`, or `RST` instruction, and when an interrupt or Trap occurs. The processor fetches a 16-bit value from memory at the address in SP, and then increments SP by 2, when it executes a `POP`, `RET`, `RETI`, or `RETN` instruction. Software can store the value in SP in memory, load SP from memory or another register, or load it with a constant/immediate value. Further, software can add or subtract the value in SP to or from another register, and can increment or decrement SP. Finally, software can exchange the 16-bit value in memory, to which SP currently points, with the contents of a 16-bit register. SP resets to 0000B.

Flags (F)

The processor includes two Flag registers each containing six bits, named Zero (Z), Carry (CF), Sign (S), Parity or Overflow (P/V), Half-Carry (HC), and Add/Subtract (N). Certain flags are automatically updated as part of executing certain instructions. Subsequent instructions can then use the flags, either as an operand (`ADC`, `SBC`, `DAA`), or to determine whether to perform a `JUMP`, `CALL`, or `RET` operation. The flags can be saved on the stack with a `PUSH` instruction, or restored from the stack with a `POP` instruction. The two sets of flag registers are paired with the two (A) accumulators; the current pair is toggled by the `EX AF, AF'` instruction.

Interrupt High Address (I)

The contents of this register are used as the eight high-order address bits, when the processor fetches the address of an interrupt service routine from memory, for an interrupt from the `INT1` or `INT2` pin, or from an on-chip peripheral. The I register points to a table of interrupt service routine addresses that starts at a 256-byte boundary in the 64 KB logical address space. The I register resets to 0, and can be read or written by the dedicated instructions `LD A, I` and `LD I, A`.



R Counter (R)

On the Z8018x family processors, this register contains a count of executed fetch cycles. R resets to 0, and can be read or written by the dedicated instructions `LD A, R` and `LD R, A`.

Observing Read Data from On-Chip Devices

Bit 7 of the Output Control Register (OCR, illustrated on page 89) determines whether the Z80S183/Z80L183 drives data from on-chip ROM, RAM, and I/O registers, onto the D7–D0 pins for debugging and monitoring purposes. When this bit is 0, as it is after a reset, the D7–D0 pins remain in high-impedance state during read cycles from on-chip devices, saving power.

When software sets this bit to 1 during device initialization, the Z80S183/Z80L183 drives read data from on-chip devices onto D7–D0, allowing it to be captured by debugging instruments such as logic analyzers.

Illegal Instruction Traps

Like most processors, the defined instruction set for the Z8018x family does not fully cover all possible sequences of binary values. The Op Code maps, in the section, “Op Code Map” on page 175, include numerous blank cells. These cells represent Op Code sequences for which no operation is defined, and are commonly called *illegal* instructions.

When a Z80S183/Z80L183 or other Z8018x processor fetches one of these sequences, it performs a Trap sequence as follows:

1. The Trap bit is set to 1 when an undefined Op Code is fetched.
2. The UFO bit (ITC Bit 6) toggles to indicate the starting address of the undefined Op Code in the event that the instruction is two or three bytes long. This action is necessary because the Trap may occur on either the second or third byte of Op Code.

When the UFO bit is set to 0 when a Trap interrupt occurs, the first undefined Op Code must be interrupted as the stacked PC-1. When UFO is 1, the first undefined Op Code address is stacked PC-2.

3. The processor decrements the Stack Pointer (SP) by 2 and stores the 16-bit logical address from PC, in memory at the new SP address. This address points to the last byte of the illegal Op Code sequence.
4. The processor then clears PC and resumes execution at logical address 0000.

Trap Handling

The code at logical address 0000B can optionally store the value of SP in memory, and then set SP to an area of memory dedicated to its private stack.



In all cases, the trap-handling routine stores as many registers among AF, BC, DE, HL, IX, and IY as it may use, by pushing them onto the stack. A general-purpose routine stores all of these registers, those in the alternate set, the value of I, and the state of the Interrupt Enable flag.

Next, the Trap-handling code distinguishes among the four events that can bring execution to address 0000B:

- A Reset
- A Trap
- An `RST 0` instruction
- A program error, such as a `JUMP` to a null pointer

The code detects a Trap by reading the Interrupt/Trap Control register (ITC) and checking Bit 7 (Trap). When Bit 7 is 1, a Trap has occurred, and the code handles it as follows:

1. Clears the Trap bit by writing a 0 to Bit 7 of the ITC
2. Fetches the PC value stored on the stack
3. Examines Bit 6 of the ITC (UFO).
4. Decrements the PC value by 1, if the UFO bit is 0; otherwise, decrements it by 2, so that it points to the start of the illegal instruction.

The next action of the trap handling routine depends on the application and its stage of development.

Extending the Instruction Set

Core software can use illegal instructions as extensions to the Z8018x instruction set. To accomplish this, the trap handler must fetch and examine each illegal instruction. When an illegal instruction is an extension, the trap handler performs the extended operation that the instruction indicates. It then advances the stacked PC value over the instruction, restores the saved register values, and returns to the next instruction.

Error Message vs. Restart

Except for these extended instructions, the trap handling software can perform either of the following actions:

- Output an error message and wait for someone to examine the situation and restart the application
- Attempt to restart the application immediately

The former course is more common in the debugging/development stages of an application, while the latter may be more appropriate in the production/deploy-



ment stage. In the latter case, software may log the event for future readout, using an external storage medium or just in memory.

Device and Version ID Registers

Three registers (described on page 85), allow software to determine if it is operating on a Z80S183/Z80L183, as well as the device version. These registers are a mandatory feature of the ZDI interface that is described in “ZiLOG Debug Interface” on page 198, and are also available in I/O space.

I/O addresses 003BH and 003CH read as 01 and 00 respectively, indicating that the Z80S183/Z80L183 is one of the first devices to incorporate a ZDI interface. I/O address 003DH reads as 00 for revision AB, 01 for revision BA, and will feature higher values on future revisions.

Interrupts

ZiLOG Z80 and Z180 processors have a rich legacy of sophisticated interrupt capabilities. Because of the lack of an I/O Request signal on the Z80S183/Z80L183, its interrupt subsystem is substantially simpler and easier to describe than those of other 8018x devices.

The following topics, which are significant for other 8018x processors, do not apply to the Z80S183/Z80L183:

- $\overline{\text{INT0}}$ Mode 0 and 2 interrupts
- Interrupt acknowledge cycles
- Interrupt daisy chains
- Interrupt Pending and Interrupt Under Service bits
- RETI instructions

Interrupt Resources in the Z80S183/Z80L183

IEF1 and IEF2

These bits are internal to the processor and are only affected and manipulated by certain specific events:

- A Reset clears IEF1 and IEF2
- An EI instruction sets IEF1 and IEF2
- A DI instruction clears IEF1 and IEF2
- An NMI sequence copies IEF1 to IEF2, then clears IEF1
- A maskable interrupt clears IEF1 and IEF2



- An `LD A, I` or `LD A, R` instruction copies IEF2 to the P/V flag
- An `RETN` instruction copies IEF2 to IEF1

When IEF1 is 1, `RESET` and `BUSREQ` condition on the OPMODE pins are both High, and no falling edge has occurred on `NMI`, the Z80S183/Z80L183 checks for maskable interrupt requests from external pins and on-chip peripherals, as it completes each instruction, or each instruction iteration for `HALT`, the block I/O instructions, block move instructions, and block scan instructions.

The I Register

The Z80S183/Z80L183 uses the contents of this register as A15–8 of the logical address for fetching interrupt service routine addresses from memory, in response to interrupt requests on `INT1` and `INT2`, and from internal peripherals.

See “Interrupt Registers” that starts on page 92 for other registers associated with interrupts.

The IL Register

The Z80S183/Z80L183 uses bits 7-5 of this register as A7–5 of the logical address for fetching interrupt service routine addresses from memory, in response to interrupt requests on `INT1` and `INT2`, and from internal peripherals.

The Interrupt/Trap Control Register (ITC)

Bits 2-0 of the ITC are individual Enable bits for the `INT2`, `INT1`, and `INT0` pins, respectively. They reset to 001B, so that requests on `INT0` can be enabled by an `EI` instruction after Reset.

Interrupt Edge Register (IER)

By reading this register, software detects the current state of the `INT2` and `INT1` pins, and whether an edge has been detected on each. Other bits in the IER select whether each of these pins is low-level sensitive, or rising- and/or falling-edge sensitive.

Nonmaskable Interrupt

The Z80S183/Z80L183 latches falling edges on the `NMI` pin. A falling edge clears the DME bit in the DMA Status register (DSTAT), disabling the on-chip DMA channels. Only a Low on `RESET` or on `BUSREQ` takes precedence over `NMI`. Unless `RESET` or `BUSREQ` is Low, the Z80S183/Z80L183 checks for a falling edge on `NMI` as it completes each instruction (each instruction iteration of `HALT`, the block I/O instructions, block move instructions, and block scan instructions), and performs an `NMI` sequence if a falling edge has occurred.

`BUSREQ` is a conditional state of the OPMODE0 and OPMODE1 pins.



An `NMI` sequence includes 4 steps:

1. The processor copies the state of the `IEF1` bit to `IEF2`.
2. It clears `IEF1` to prevent maskable interrupts.
3. It decrements `SP` by 2, and stores the logical address in the `PC` in memory at the new address in `SP`. For most interrupts, this value is the address of the instruction the processor would have executed next, had no interrupt occurred. When the processor was stopped by `HALT` or `SLP`, this value is the address of the next instruction. In the event of an incomplete block transfer, block scan, or block I/O instruction, this value is the address of the instruction.
4. The processor loads `0066H` into `PC`, and resumes execution from that logical address.

NMI Handling

`NMI` routines fall into two categories, based on whether the external hardware that drives `NMI` is capable of producing another falling edge on the pin, before the `NMI` service routine has completed its execution and returned to the interrupted process. The case when the `NMI` is not capable of producing another falling edge is called *Single Edge Guaranteed*. The case when the `NMI` can produce another falling edge is called *Repeated Edge Possible*. Debug monitors, which may display the state of the interrupt process, fall into the *Repeated Edge* category.

Single Edge Guaranteed

An `NMI` routine in this category is similar to other interrupt service routines. This routine has the option of storing the contents of `SP` in memory and loading `SP` with the address of a memory area that is dedicated for the stack. In any case, this routine stores as many of the registers as it may use during its execution.

Repeated Edge Possible

An `NMI` routine in this category starts with a `PUSH AF` instruction, then `LOAD A` from a dedicated location in memory that indicates whether the interrupted process is the `NMI` routine. When this location indicates that the process is the `NMI` routine, it immediately performs a `POP AF` and then a `RETN` instruction, to return to its former execution.

When the *in NMI* location is cleared, software sets it to 1. Then, if the `NMI` routine performs either of the following:

- Places a `DI` instruction in a *Save The Registers* routine that it shares with other means of entry
- Displays the `I` register or the interrupt-enable state of the interrupted process, and allows a user/programmer to change these (in essence, a debug monitor)



it performs `LD A, I` and `PUSH AF` instructions. This stores the I register at the address in SP plus one, and the interrupt enabled state (IEF2) in the P/V flag and in Bit 2 of the memory location pointed to by SP.

When the NMI routine uses a common *Save The Registers* subroutine that it shares with other entry points, the save subroutine can perform a `DI` instruction to prevent interruption by maskable interrupts.

The NMI routine has the option to store the SP value in a dedicated location in memory, and load SP with the address of a dedicated NMI stack area.

In any case, the NMI routine must `PUSH` as many other registers as it uses. A debug monitor typically performs `PUSH` operations on all registers in both banks, so that it can display them.

Reenabling The DMA Channels

In an NMI service routine in an application that uses the DMA channels, software next reads the DSTAT register and reenables any DMA operation that was in progress, as described in the section “NMI and DME” on page 47.

Exiting The NMI Routine

On completion of its processing, an NMI routine restores the saved registers. When the routine used its own stack area, it then restores the SP value of the interrupted process. When the routine sets an in NMI memory location on the way in, it clears this location to 0.

NMI routines that did not save the I register and IEF2 state at the start, can conclude with `POP AF` and `RETN` instructions. `RETN` copies the state of IEF2 back into IEF1, restoring the interrupt enable state of the interrupted process.

NMI routines that saved I and IEF2 at the start, conclude with a `POP AF` for the saved I register and IEF2 bit. Then an `LD I, A`, followed by a `JP V` to a `POP AF, EI, RET` sequence. The `JP` is followed by `LD I, A`, `POP AF`, and `RET` instructions.

INT0 Mode 1

The Z80S183/Z80L183 can only handle interrupts requested on the `INT0` pin in Mode 1. All Z80S183/Z80L183 applications that enable interrupts and do not tie `INT0` High, must include an `IM 1` instruction before the first `EI` instruction.

The Z80S183/Z80L183 performs an `INT0` interrupt sequence at the end of an instruction (each instruction iteration for `HALT`, the block I/O instructions, block move instructions, and block scan instructions), if all of the following are true:

- `INT0` is Low
- Bit 0 of the Interrupt/Trap Control register is 1 to enable `INT0`



- The IEF1 bit is set to 1 to enable interrupts in general
- $\overline{\text{RESET}}$ and $\overline{\text{BUSREQ}}$ are both High, and a negative edge on $\overline{\text{NMI}}$ has not been detected.

► **Note:** $\overline{\text{BUSREQ}}$ is a conditional state of the OPMODE0 and OPMODE1 pins.

When all of these conditions occur simultaneously, the Z80S183/Z80L183 responds as follows:

1. It clears $\overline{\text{IEF1}}$ and $\overline{\text{IEF2}}$ to prevent further interrupts.
2. It decrements SP by 2, and stores the contents of PC in memory at the new address in SP. This value is typically the address of the instruction the processor would have executed next, if no interrupt had occurred. When the processor is stopped by `HALT` or `SLP`, this value is the address of the next instruction. In the event of an incomplete block transfer, block scan, or block I/O instruction, this value is the address of the instruction.
3. It loads `0038H` into PC, and resumes execution from that logical address.

Interrupt Handling

Any Interrupt Service Routine (ISR) has the initial option of saving the contents of SP in memory, and loading SP with the address of a memory area that is dedicated to its stack. Most interrupt service routines do not use this option.

An `INT0` ISR must save the contents of the registers it uses, using `PUSH` and/or `EX AF,AF'` and `EXX` instructions.

When the application includes a mechanism for allowing nested interrupts, the ISR can begin as specified by that mechanism, leading to an `IE` instruction that allows the ISR to be interrupted by other interrupts. Most applications do not allow for nested interrupts.

The ISR next reads status registers from each device that can request an interrupt on `INT0`, to identify the cause of the interrupt. The ISR must process each interrupting device according to this status, and the device and application requirements.

Many ISRs read data from interrupting device(s), or write data to interrupting device(s). In addition, the ISRs can write registers in these devices, to modify its mode, status, or operation.

When interrupt processing is complete, if nested interrupts were allowed, the ISR ends as specified by the nesting mechanism. When nested interrupts were not allowed, the ISR restores the saved registers and concludes with `EI` and `RET` instructions.



- **Note:** The Z80 and Z80180 instruction sets include an `RETI` instruction that is used for servicing Z80 peripherals. Since the Z80S183/Z80L183 includes no such peripherals, nor does it allow them to be connected externally, there is no reason to conclude a Z80S183/Z80L183 ISR with an `RETI`. `RET` is both shorter and faster than `RETI`, and fills the same function.

$\overline{\text{INT1}}$ and $\overline{\text{INT2}}$

The Z80S183/Z80L183 performs an $\overline{\text{INT1}}$ or $\overline{\text{INT2}}$ interrupt sequence at the end of an instruction (each instruction iteration for `HALT`, the block I/O instructions, block move instructions, and block scan instructions), if all of the following are true:

- $\overline{\text{INT1}}$ and/or $\overline{\text{INT2}}$ meets the condition specified for it in the Interrupt Edge Control register (low level, rising edge, falling edge),
- Bit 2 or 1 of the Interrupt/Trap Control register (ITC) is 1 to enable this pin (if both pins are enabled and both pins meet the specified condition, $\overline{\text{INT1}}$ takes precedence over $\overline{\text{INT2}}$),
- IEF1 is 1, to enable interrupts in general,
- $\overline{\text{INT0}}$ is High or Bit 0 of the ITC is 0,
- $\overline{\text{RESET}}$ and $\overline{\text{BUSREQ}}$ are High, and
- A negative edge on $\overline{\text{NMI}}$ has not been detected.

- **Note:** $\overline{\text{BUSREQ}}$ is a conditional state of the `OPMODE0` and `OPMODE1` pins.

When all of these conditions occur simultaneously, the Z80S183/Z80L183 responds as follows:

1. It clears IEF1 and IEF2 to prevent further interrupts.
2. It decrements SP by 2, and stores the contents of PC in memory at the new address in SP. Typically, this value is the address of the instruction the processor would have executed next, if no interrupt had occurred. When the processor was stopped by `HALT` or `SLP`, this value is the address of the next instruction. In the event of an incomplete block transfer, block scan, or block I/O instruction, this value is the address of the instruction.
3. Next, the processor forms a logical memory address using the contents of the I register as A15–8, Bits 7–5 of the IL register as A7–5, and 0 as A4–0 for $\overline{\text{INT1}}$ or 2 in A4–0 for $\overline{\text{INT2}}$.



4. Finally, the processor fetches a 16-bit logical address from memory at that logical address, loads it into PC, and resumes instruction execution from there.

INT1–2 Handling

All of the considerations noted for $\overline{\text{INT0}}$ ISRs in “Interrupt Handling” on page 18, also apply to ISRs for $\overline{\text{INT1}}$ and $\overline{\text{INT2}}$. One additional step is required when the pin is edge-triggered: read the INT2-1 Interrupt Edge Register (IECR), and write the value (including 1 in Bit 5 or 4) back to the IECR to clear the edge-detection logic.

On-Chip Interrupts

The Z80S183/Z80L183 performs an interrupt sequence for an on-chip device at the end of an instruction (each instruction iteration for $\overline{\text{HALT}}$, the block I/O instructions, block move instructions, and block scan instructions), if all of the following are true:

- An interrupting condition has occurred in the device
- That condition is interrupt-enabled in the device’s registers
- IEF1 is 1, to enable interrupts in general
- No higher-priority internal device is requesting an interrupt (see Table 5 below for the relative priorities of internal devices)
- Neither $\overline{\text{INT1}}$ nor $\overline{\text{INT2}}$ is interrupting
- $\overline{\text{INT0}}$ is High or Bit 0 of the ITC is 0
- $\overline{\text{RESET}}$ and $\overline{\text{BUSREQ}}$ are both High
- A negative edge on $\overline{\text{NMI}}$ has not been detected.

► **Note:** $\overline{\text{BUSREQ}}$ is a conditional state of the OPMODE0 and OPMODE1 pins.

When all of these conditions occur simultaneously, the Z80S183/Z80L183 responds as follows:

1. It clears IEF1 and IEF2 to prevent further interrupts.
2. It decrements SP by 2, and stores the contents of PC in memory at the new address in SP. Typically, this value is the address of the instruction the processor would have executed next, if no interrupt had occurred. When the processor was stopped by a $\overline{\text{HALT}}$ or $\overline{\text{SLP}}$ instruction, this value is the address of the next instruction. For an incomplete block transfer, block scan, or block I/O instruction, this value is the address of the instruction.



3. Next, the processor forms a logical memory address using the contents of the I register as A15–8, Bits 7–5 of the IL register as A7–5, and the value corresponding to the interrupting device as A4–0.
4. Finally, the processor fetches a 16-bit logical address from memory at that logical address, loads it into PC, and resumes instruction execution from there.

On-Chip Interrupt Handling

The only difference between handling an on-chip interrupt, and the considerations noted for $\overline{\text{INT0}}$ ISRs in “Interrupt Handling” on page 18, is that the ISR for an on-chip device never needs to differentiate among several devices connected to an $\overline{\text{INT}}$ pin, only among interrupt sources within the device.

Table 5. Interrupt Offsets and Priorities

Device	Priority	A4–0 Offset
INT1 pin	highest	0
INT2 pin		2
PRT0		4
PRT1		6
DMA0		8
DMA1		10 = 0AH
CSI/O		12 = 0CH
ASCI0		14 = 0EH
ASCI1		16 = 10H
Programmable Output Generator (POG)		18 = 12H
Port A		20 = 14H
Port D		22 = 16H
A/D Converter		24 = 18H
Real Time Clock (RTC)		26 = 1AH
Reserved		28 = 1CH
ZiLOG Debug Interface (ZDI)	lowest	30 = 1EH

NOTE: Devices are ordered identically with respect to interrupt priority and offset value



Memory

Z8018x family processors include a 64 KB logical memory space in which software operates, and a 1 MB physical memory address space in which on-chip and external memory reside. The Memory Management Unit (MMU) translates 16-bit logical addresses to 20-bit physical addresses dynamically, as part of each memory access.

Memory Structure

On the Z80S183/Z80L183, memory is divided into four categories:

- 1 KB of on-chip ROM
- 2 KB of on-chip RAM
- External ROM or Flash memory using on-chip decoding
- External RAM using on-chip decoding

Table 30 on page 91 describes the System Configuration Register (SCR) that includes bits that enable or disable each of these four memory categories. Software designers must be cautious when programming this register, to not disable the memory in which the current code sequence resides.

On-chip ROM can be enabled or disabled at Reset time, by the state of the `OPMODE1–0` pins. These pins control the initial state of the on-chip ROM Enable bit in the SCR. When on-chip ROM is enabled, it occupies physical addresses `00000–003FFH`.

The last 256 bytes of on-chip RAM are always accessible to the Programmable Output Generator (POG) module. When processor access to on-chip RAM is enabled, another bit in the SCR controls whether A19–16 are included in address decoding for on-chip RAM.

The on-chip address decoder for external ROM or Flash memory decodes from physical address `00000` through a programmable upper limit. When external ROM is enabled, memory accesses at addresses below the upper limit, drive the `ROMRD` or `ROMWR` pin Low. (Among the capabilities of the `ROMWR` pin are programming of Flash memories.)

The on-chip address decoder for external RAM decodes between programmable lower and upper limits. When external RAM is enabled, memory accesses at addresses between these two limits, drive the `RAMRD` or `RAMWR` pin Low.

When software programs the Memory Chip Select Logic and System Configuration Register so that some addresses do not match either the ROM or RAM chip selection, accesses to these addresses do not appear on the external bus. Avoid this possibility by programming the active chip selects to cover the entire memory address space.



Addressing Modes

Instructions can specify a memory address in several ways. Z80S183/Z80L183 addressing modes include:

Relative Addressing

JR and DJNZ instructions include a signed 8-bit displacement that specifies a range of addresses -126 to $+129$ from the Op Code, to which program control can be transferred.

Direct Addressing

In this mode, instructions include a 16-bit logical address.

Register Indirect Addressing

In this mode, the address is taken from one of the register pairs BC, DE, or HL.

Indexed Addressing

In this mode, instructions include an 8-bit signed displacement from the address in an index register IX or IY.

Other contexts in which memory is accessed include instruction fetching, interrupts, and DMA operations.

Memory Management Unit (MMU)

The MMU translates the 16-bit addresses used by software, called *logical* addresses, into 20-bit *physical* addresses, as part of all memory accesses performed by the processor. The MMU has no effect on accesses performed by the DMA channels that include 20-bit address registers. It also has no effect on addresses in I/O space that always have A19–16 0.

The MMU resets to a state in which it has no effect on addresses in processor cycles, passing A15–0 through without change and keeping A19–16 0. When an application needs 64 KB of memory or less, it ignores the MMU.

Even when the MMU has been programmed to perform active address transactions, it passes A11 0 from the logical to the physical address. The MMU manages memory in 4 KB blocks.

The section titled “MMU Registers” on page 94, describes the registers associated with the MMU.

MMU Operation

The MMU compares Bits 15–12 of each logical address to two 4-bit fields in its Common/Base Address Register (CBAR), in an unsigned manner.

When Bits 15–12 of a logical address are less than the value in Bits 3–0 of the CBAR, the MMU considers the address to be in Common Area 0. For these



addresses, it passes Bits 15–12 to the A15-12 pins unchanged, and sets pins A19–16 to 0.

When Bits 15–12 of a logical address are greater than or equal to the value in Bits 3–0 of the CBAR, but are less than the value in Bits 7–4 of the CBAR, the MMU considers the address to be in the Bank Area. For such addresses, it adds the value in its 8-bit Bank Base Register (BBR) to Bits 15–12 of the logical address, and outputs the 8-bit sum on pins A19–12.

When Bits 15–12 of a logical address are greater than or equal to the value in Bits 7–4 of the CBAR, the MMU considers the address to be in Common Area 1. For such addresses, it adds the value in its 8-bit Common Base Register (CBR) to Bits 15–12 of the logical address, and outputs the 8-bit sum on A19–12.

The value in Bits 7–4 of the CBAR must never be less than the value in Bits 3–0 of the CBAR.

MMU Configurations

In the general case, the MMU divides the 64 KB logical memory space into three parts, with Common Area 0 located at the start of the 1 MB physical address space, and the Bank Area and Common Area 1 relocatable to other parts of the physical address space. These three parts are under control of the Bank Base Register and Common Base Register, respectively.

Certain combinations of values in the CBAR result in the logical address space being divided into fewer active areas:

- When the CBAR contains 0, all logical addresses fall into Common Area 1, and are relocated to a contiguous 64 KB area starting at the address in the CBR times 4096.
- When CBAR3–0 are 0 but CBAR7–4 are non-zero, the Bank Area and Common Area 1 are active. Logical addresses less than $(CBAR7-4) * 4096$ are relocated by the Bank Base Register, while other addresses are related by the Common Base Register.
- When $CBAR7-4$ and $CBAR3-0$ are equal and not 0, Common Area 0 and Common Area 1 are active. Logical addresses less than $(CBAR3-0) * 4096$ are not relocated, and map to the start of physical memory. Other addresses are relocated by the Common Base Register.

The MMU After Reset

Because the CBAR resets to 11110000B, logical addresses 0000–FFFFH are in the Bank Area and F000–FFFFH are in Common Area 1 after Reset. But since the BBR and CBR both reset to 0, the MMU passes all logical addresses through without change, with A19–16 all 0.



On-Chip ROM

Bit 7 in the System Configuration Register (page 91) controls whether physical addresses 00000–003FFH access on-chip ROM or external memory. A 1 in this bit enables on-chip ROM. At reset, this bit is set to 1 if the `OPMOD1` pin is High and the `OPMOD2` pin is Low. Otherwise, this bit is cleared to 0.

On-Chip RAM

Bits 6–5 in the System Configuration Register control processor access to on-chip RAM. When Bit 6 is 0, on-chip RAM is disabled. When Bits 6–5 are 10, on-chip RAM does not decode Bits 19–16 of physical addresses, and responds to all physical addresses with A15–11 all 1: `xF800` through `xFFFFH`. When Bits 6–5 are 11B, on-chip RAM responds to physical addresses with A19–11 all 1: addresses `FF800–FFFFFFH`.

The Programmable Output Generator (POG) can always read the last 256 bytes of on-chip RAM, regardless of Bits 6–5 in the SCR.

External ROM/Flash Decoding

Bit 4 of the System Configuration Register enables or disables an on-chip address decoder for external ROM or Flash memory. When this bit is 1, memory accesses at physical addresses less than the upper limit programmed in the ROM Boundary Register (`ROMBR`, page 97), drive the `ROMRD` or `ROMWR` pin Low. (The `ROMWR` pin can be used to program Flash memories.)

When SCR Bit 4 is 1, `ROMRD` or `ROMWR` goes Low for addresses with A19–12 less than or equal to the contents of `ROMBR`, that is, for addresses less than $(ROMBR+1)*4096$.

External RAM Decoding

Bit 3 of the System Configuration Register (page 91) enables or disables an on-chip address decoder for external RAM. When this bit is 1, memory accesses at physical addresses between the lower limit programmed in the RAM Lower Bound Register (`RAMLBR`), and the upper limit programmed in the RAM Upper Bound Register (`RAMUBR`), drive the `RAMRD` or `RAMWR` pin Low. These registers are described on page 98.

When SCR Bit 3 is 1, `RAMRD` or `RAMWR` goes Low for addresses with A19–12 greater than or equal to the contents of `RAMLBR`, and less than or equal to the contents of `RAMUBR`, that is, for addresses A in the range

$(RAMLBR)*4096 < A < (RAMUBR+1)*4096$



Wait State Generators

The Z80S183/Z80L183 includes two registers that control automatic insertion of Wait States into memory and I/O accesses.

The DMA/Wait Control register (DCNTL) is shown on page 121, and is present on all 8018x family members. DCNTL is one of the DMA registers, but the Wait States that it controls apply to processor cycles as well as to those generated by the DMA channels.

Bits 7–6 select the number of wait states for all memory accesses.

Bits 5–4 select the number of wait states for I/O accesses other than those to 180 registers. The Z80S183/Z80L183 interprets both fields as a binary number of wait states:

Bit 5	Bit 4	Wait State
0	0	0 Wait States
0	1	1 Wait State
1	0	2 Wait States
1	1	3 Wait States

The Wait State Generator Control register (WSGCR) is described on page 96, and is unique to the Z80S183/Z80L183.

Bits 7–6 control the number of Wait States for memory accesses in the $\overline{ROMRD}/\overline{ROMWR}$ address range.

Bits 5–4 control the number of Wait States for memory accesses in the $\overline{RAMRD}/\overline{RAMWR}$ address range.

Bits 3–2 control the number of Wait States for other memory accesses, but these cycles do not appear on the external bus.

The Z80S183/Z80L183 interprets these fields as follows:

Bit 3	Bit 2	Wait State
0	0	0 Wait States
0	1	1 Wait State
1	0	2 Wait States
1	1	4 Wait States



No DRAM Refresh

ZiLOG's Z80 and Z8018x families have traditionally included dynamic RAM refresh logic. This logic is identical on all Z8018x devices including the Z80S183/Z80L183, but the Z80S183/Z80L183 does not have a `RFSH` pin with which to signal refresh cycles, nor a Refresh Control Register.

Input/Output

The Z80S183/Z80L183 includes an I/O space that is distinct from memory space. I/O space is accessed by means of `IN` and `OUT` instructions rather than `LD`, `PUSH`, `POP`, and other instructions that access memory space. The MMU passes addresses in I/O space through without change; such addresses always have A19–16 all 0.

I/O Instructions

The original Z80 featured a 256-byte I/O space. The following instructions are specific to the Z80's 256-byte I/O space, and should not be used on the Z80S183/Z80L183 except to access external I/O devices that do not decode A15–8:

```
OUT  (port), A
IND
INDR
INI
INIR
OTDR
OTIR
OUTD
OUTI
```

The following instructions ensure that A15–8 are all 0, and can be used to access the Z80S183/Z80L183's on-chip I/O registers, as well as external devices that decode A15–8 as all 0:

```
IN0  r, (port)
OUT0 (port), r
OTDM
OTDMR
OTIM
OTIMR
```

The following instructions drive A15–0 from the BC register pair, and can be used to access the full 64 Kbyte I/O space:

```
IN   r, (C)
OUT  (C), r
```



The following instruction can access the entire 64 Kbyte I/O space, by pre-loading the MS 8 bits of the address into A. (This step is unnecessary for external devices that do not decode A15-8.)

```
IN    A, (port)
```

Relocating the 80180 Registers

The section, “Registers Summary” on page 80, describes how the Z80S183/Z80L183’s I/O registers are divided into 80180-registers and Z80S183/Z80L183-specific registers. The latter registers are always located in the range 0040–007FH. After a reset, the 80180 Registers are located in the range 0000–003FH, but bits 7–6 of the I/O Control Register (page 88) allow software to relocate the 80180 Registers to higher addresses:

IOCR 7–6	180 Register Addresses
00	0000–003FH
01	Reserved, do not program
10	0080–00BFH
11	00C0–00FFH

Relocating the 180 registers is included to ease porting of Z80 applications to the Z8018x family.



Caution: Use this facility with caution because certain tools may assume that the 80180 Registers are located in the 0000–003FH range. Those tools need to be reconfigured (reassembled, recompiled) to allow for relocated 180 Registers.

Write Enable/Lock for Critical Registers

Some registers are protected from inadvertent modification by software. Writing a 0BH to the Watch-Dog Timer Command Register (WDTCR, page 124) sets Bit 0 of the Watch-Dog Timer Master register to 1 (WDTMR, page 123) and enables writing to these registers. Writing any other value to WDTCR clears Bit 0 of the WDTMR to 0 and prevents writing to these registers.

The Write Enable state has no effect on reading the registers protected by this mechanism that include.

- System Configuration register (SCR, page 91)
- Power Control register (PCR, page 90)



- Port A-D Data Direction registers (DDRA–D, pages 100–108)
- All Real Time Clock registers (pages 131–137)

I/O Chip Selects

When Bit 2 in the System Control Register (SCR) is 1, the Z80S183/Z80L183 drives the $\overline{\text{IOCS1}}$ pin for accesses to I/O addresses 0080–87H, and drives the $\overline{\text{IOCS2}}$ pin Low for accesses to 0088–8FH. When SCR Bit 2 is 0, $\overline{\text{IOCS1}}$ and $\overline{\text{IOCS2}}$ remain High at all times.

I/O Waits

Bits 5–4 of the DMA/Wait Control Register can be used to insert Wait States into I/O cycles with the Z80S183/Z80L183-specific registers at addresses 0040–007FH, and into I/O cycles with external devices. This field is interpreted as a binary number of wait states:

Bit 5	Bit 4	Wait State
0	0	0 Wait States
0	1	1 Wait State
1	0	2 Wait States
1	1	3 Wait States

$\overline{\text{IORD}}$ Timing

Bit 5 in the Operating Mode Control Register (OMCR, shown on page 87) controls the timing of the $\overline{\text{IORD}}$ signal when software reads from an external I/O device. When this bit is 1, as it is after a reset, the Z80S183/Z80L183 drives $\overline{\text{IORD}}$ Low from the falling edge of PHI in the T1 clock cycle. When this bit is 0, it drives $\overline{\text{IORD}}$ Low one-half clock cycle later, from the rising edge of PHI at the start of T2. Both cases are illustrated in Figure 3.

- **Note:** On other Z8018x family members, Bits 7 and 6 in the OMCR control how the M1 signal affects Z80 peripheral devices. Because the Z80S183/Z80L183 does not have an IORQ pin, it cannot be used with Z80 peripherals, and OMCR Bits 7–6 do not matter.

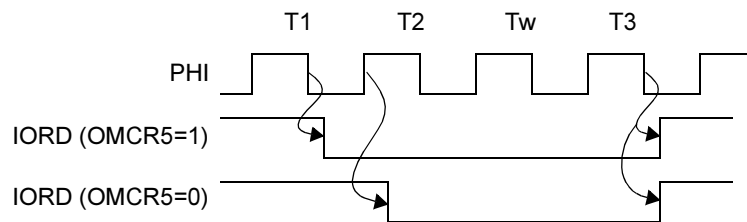


Figure 3. $\overline{\text{IORD}}$ Timing

Clock Circuits

The Z80S183/Z80L183 can be clocked in any of three ways:

- By an external TTL- or CMOS-level clock on the `EXTAL` pin
- By a crystal connected to its `XTAL` and `EXTAL` pins
- By a low-frequency crystal (typically 32.768 KHz) connected to its `LFXTAL` and `LFEXTAL` pins

An external clock signal must be free of overshoot or ringing, must make continuous, monotonic, and rapid transitions in both directions, and must meet the minimum High and Low times specified in “AC Characteristics” on page 188.

Clock Selection

Bits 1–0 of the System Configuration Register, which is shown on page 91, select the source of the main device clock (`PHI`) between the `XTAL/EXTAL` pins and the `LFXTAL/LFEXTAL` pins, and in the latter case, a multiplier for the clock:

SCR 1–0	PHI source
00	XTAL/EXTAL
01	LFXTAL/LFEXTAL
10	LFXTAL/LFEXTAL times 1004
11	LFXTAL/LFEXTAL times 502

Because these bits reset to 00, an application that requires `LFXTAL` and `LFEXTAL` must start up using `XTAL` and `EXTAL`. The circuit in Figure 6 includes a connection that satisfies this need.

Divide-by-2 vs. Direct Option

Regardless of the source of `PHI`, Bit 7 of the CPU Control Register (CCR, described on page 84) controls whether the Z80S183/Z80L183 uses the signal selected by Bits 1–0 of the SCR directly as `PHI`, or whether it divides the signal by 2 to obtain `PHI`.

When CCR Bit 7 is 0, as it is after a reset, the part divides the selected signal by 2. This mode insulates the part against an asymmetric waveform on the selected signal. When CCR Bit 7 is 1, the Z80S183/Z80L183 uses the selected signal directly. In this case, if an external clock is connected to `EXTAL`, the clock must meet the minimum High and Low times specified in “AC Characteristics” on page 188.

Circuits

When using a crystal connected to `XTAL` and `EXTAL`, locate the crystal as close as possible to the pins. This placement minimizes the trace lengths between the crystal, the pins, and the two capacitors shown in Figure 4, which illustrates the connection of a fundamental mode crystal up to and including 20 MHz. C1 and C2 are 20–30 pF, with 22 pF a typical value.

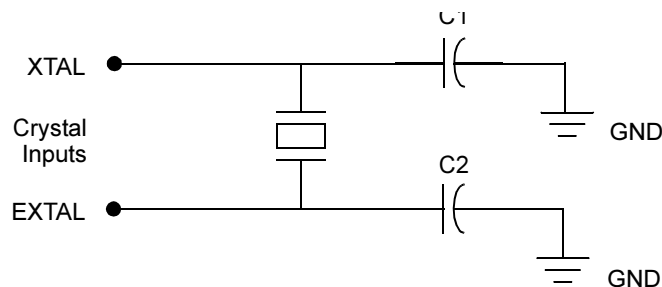


Figure 4. Fundamental Mode Crystal Circuit \leq 20 MHz

For frequencies above 20 MHz, use a third-overtone crystal and include an LC tank circuit to filter the fundamental frequency, as shown in Figure 5. Again, it is essential to minimize trace lengths by locating all of the components as close as possible to the `XTAL` and `EXTAL` pins.

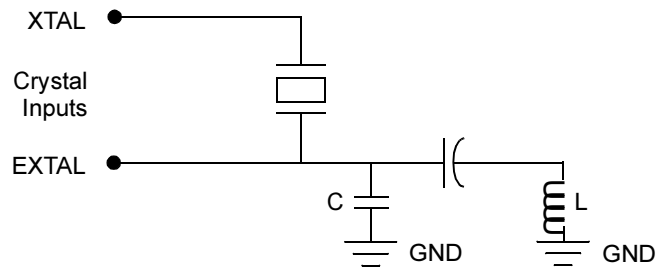


Figure 5. Third-Overtone Crystal > 20 MHz

A low-frequency crystal can be connected between the `LFEXTAL` and `LFEXTAL` pins without any other components (see Figure 6). When the LF crystal is used as the clock source for the Real Time Clock, it must be exactly 32.768 KHz.

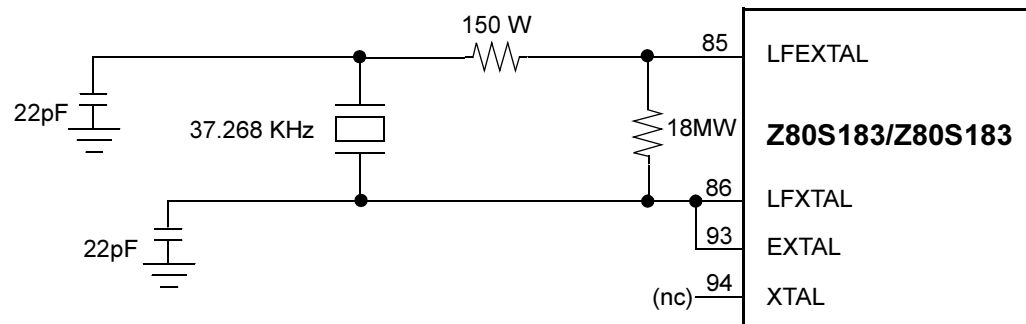


Figure 6. Low-Frequency Crystal Circuit

Crystal Specifications

The following specifications apply to fundamental mode crystals up to 20 MHz:

- Fundamental, parallel type (AT cut recommended)
- Load capacitance: $C_L = C_1 = C_2 = 20\text{--}30$ pF (22 pF typical)
- Equivalent Resistance $R_S \leq 60$ ohms
- $C_{IN} = C_{OUT} = 15\text{--}22$ pF

Reduced Oscillator Drive Option

Bit 6 in the Clock Control Register, described on page 83, controls the gain of the `XTAL/EXTAL` oscillator. When Bit 6 is 0, as it is after a reset, a crystal connected to `XTAL` and `EXTAL` is driven strongly, to guarantee that oscillation always starts. This drive is suitable for traditional crystals packaged in HC-49-type packages, but



may be too powerful for crystals packaged for miniaturized applications such as PCMCIA.

To reduce the gain of the oscillator, write a 1 to Bit 6 of the Clock Control Register. This action reduces the drive to about 25% of normal mode, and reduces the maximum oscillator frequency from 33 to 20 MHz.

Reset Conditions

The effects of Reset on each of the registers in I/O space is described in Tables 18–131 in the section describing “I/O Registers” on page 80. Among processor registers, the following registers and state bits are cleared to 0: PC, SP, I, IEF1, IEF2, R, and F. The following are not changed by Reset: A, B, C, D, E, H, L, IX, and IY.

The Z80S183/Z80L183 resets itself on power-up. When power is applied, the device detects power rising. When the oscillator starts, the Power On Reset circuitry holds the Z80S183/Z80L183 in reset for 2^{16} clock cycles, driving $\overline{\text{RESET}}$ Low to provide a reset to external peripherals. This Power On Reset sequence also occurs in response to a rising edge on OPMOD1 pin. When Bit 6 of the Power Control Register (PCR) is 1, a reset is generated in response to a rising edge on PB2/CTS0/PWRUP .

Another possible source of Reset is the Watch-Dog Timer (WDT). See “Watch-Dog Timer” on page 48, for more information on the WDT.

Power Management

The Z80S183/Z80L183’s low-power modes are controlled by the Standby and Idle/Quick bits in the CPU Control Register (page 84), the IOSTOP bit in the I/O Control Register (page 88), and execution of SLP and HALT instructions.

The section titled “LOW-POWER Modes” on page 34 describes the low-power modes.

Using the Power Control Register

The Power Control Register (PCR , page 90) is unique to the Z80S183/Z80L183, and offers additional power control options to the board designer and programmer.

CE_OUT

This pin can be connected to the $\overline{\text{CE}}$ or $\overline{\text{CS}}$ pin(s) of external RAM, and to an external pullup resistor. The Z80S183/Z80L183 drives this pin Low when Bit 7 of the Power Control Register is 1. Software sets this bit before trying to access external RAM. When PCR Bit 7 is 0, the Z80S183/Z80L183 does not drive $\overline{\text{CE_OUT}}$, and



the external resistor pulls it High, which helps safeguard the RAM against modification. Software clears PCR Bit 7 to 0 before entering a LOW-POWER mode.

The RAM and the external pullup can be powered from a supply that is active when the Z80S183/Z80L183 is not powered, for example, from standby power or from a battery.

PB2/CTS0/PWRUP

This pin can be connected to a rising-edge-active *wake up* signal from external logic. To use this feature, software sets Bit 6 of the Power Control Register to 1 before entering a LOW-POWER mode. When PCR Bit 6 is 1, a rising edge on PB2/CTS0/PWRUP causes a Reset that is identical to a Power On Reset. This reset brings the Z80S183/Z80L183 out of the LOW-POWER mode and into normal operation. When Bit 6 of the PCR is 0, PB2/CTS0/PWRUP cannot cause a reset, and can be used for other purposes.

A rising edge on the OPMOD1 pin also causes a Power On Reset. Assuming that OPMOD1 remains High, the device executes code from on-chip ROM after the Reset. After a Power On Reset caused by the PWRUP pin, execution starts in on-chip ROM or external memory, depending on the state of OPMOD1.

PWRSWTCH

This pin can be connected to a Low-active power switch that controls power to external devices (for example, a P-channel FET). It is a direct positive-logic output controlled by Bit 5 of the Power Control Register, which resets to 0, making PWR-SWTCH Low, which in turn applies power to the external devices. Before entering a LOW-POWER mode, software can write a 1 to Bit 5 of the PCR, making PWRSWTCH High and removing power from the external devices.

Tristate A19-0, $\overline{\text{RAMRD}}$, $\overline{\text{RAMWR}}$, $\overline{\text{ROMRD}}$, $\overline{\text{ROMWR}}$, $\overline{\text{IORD}}$, $\overline{\text{IOWR}}$, $\overline{\text{IOCS1-2}}$,
TXS

When Bit 4 of the Power Control Register is 1, these pins are 3-stated when the Z80S183/Z80L183 is in a LOW-POWER mode. This action completes the PWR-SWTCH power control mechanism, in that it keeps external memories and peripherals from drawing power from these signals. PCR Bit 4 resets to 0. To use this facility, software sets PCR Bits 5 and 4 to 1 before entering a LOW-POWER mode.

LOW-POWER Modes

The IOSTOP bit in the I/O Control Register (page 88) controls operation of the ASCIs, PRTs, and CSI/O. When this bit is 0, these peripherals operate normally. When this bit is 1, they are disabled, reducing power use.

The Standby and Idle/Quick bits in the CPU Control Register (page 84) control what mode the Z80S183/Z80L183 enters when it executes an SLP instruction.



When the application uses the XTAL/EXTAL oscillator and Standby is 1, an *SLP* instruction stops the oscillator. This mode uses less power than any other mode, but requires time to restart the oscillator in response to a reset, an interrupt request, or optionally a bus request.

When Standby is 1, the Idle/Quick bit controls the number of *PHI* clocks the device waits after reenabling the oscillator and before restarting operation (0 selects 2^{17} (128K) clocks, and 1 selects 64 clocks).

When Standby is 0, the oscillator runs for the duration of the *SLP* instruction, but clocking is blocked to most of the Z80S183/Z80L183. The Idle/Quick bit controls whether the oscillator output is driven onto the *PHI* pin. A 1 in Idle/Quick disables clocking on *PHI*.

When Standby is 1, the BREXT bit, Bit 5 in the CPU Control Register (page 84), controls whether the Z80S183/Z80L183 restarts the oscillator in response to a Low on *BUSREQ*, with a 1 enabling this response.

► **Note:** *BUSREQ* is a conditional state of the *OPMODE0* and *OPMODE1* pins.

Table 6 summarizes the interaction of these various bits and states, including the conditions that make the Z80S183/Z80L183 leave each LOW-POWER mode and resume normal operation.

Table 6. Low-Power Modes

Instruction	Standby	Idle/Quick	I/OSTOP	Mode: Operation
other than HALT or SLP	X	X	0	NORMAL: The processor fetches instructions and executes them, possibly sharing the bus with on-chip DMAs and external masters. On-chip peripherals operate under software control.
other than HALT or SLP	X	X	1	I/O STOP: The processor, MMU, DMAs, and external masters operate normally, but the ASCIs, PRTs, and <i>CSI/O_o</i> are disabled to reduce power consumption. All the ASCIs, PRTs, and <i>CSI/O_o</i> can do is generate an interrupt combinatorially. Software can switch the Z80S183/Z80L183 between NORMAL and I/O STOP mode as appropriate
HALT	X	X	0	HALT: The processor continually fetches the Op Code following the Halt, but does not execute it, possibly sharing the bus with on-chip DMAs and external masters. Halt mode reverts to Normal mode if: <ul style="list-style-type: none"> – RESET or NMI is Low, – INT0 is Low and enabled, or – An enabled interrupt is requested from an ASCI, PRT, <i>CSI/O_o</i>, DMA or INT21.



Table 6. Low-Power Modes (Continued)

Instruction	Standby	Idle/Quick	I/O STOP	Mode: Operation
HALT	X	X	1	HALT and I/O STOP: Similar to HALT mode except that the ASCIs, PRTs, and CSI/O are disabled.
SLP	0	0	0	SLEEP: Clocking is blocked to the processor and DMAs, and, refresh logic, so that bus activity is they are not generated active on the bus. The bus can be granted to external masters. I/O operates except for DMA. SLEEP mode reverts to Normal mode under the same conditions as for HALT mode, except that the DMAs cannot interrupt.
SLP	0	0	1	SYSTEM STOP: The oscillator continues running and generating PHI, but clocking is blocked to most of the chip. Bus granting can occur. SYSTEM STOP mode reverts to Normal mode if: <ul style="list-style-type: none"> – RESET or NMI is Low, – INT2–0 is Low – An enabled interrupt is requested by an on-chip peripheral that can generate an interrupt combinatorially.
SLP	0	1	1	IDLE: The oscillator continues running but PHI is blocked, as is clocking to most of the chip. Bus granting can occur if the BREXT bit (CCR5) is 1. IDLE mode can revert to NORMAL mode under the same circumstances as from SYSTEM STOP mode.
SLP	1	0	1	STANDBY: The XTAL/EXTAL oscillator is stopped. This mode does not apply to applications that use LFXTAL/ LFEXTAL. Bus granting can occur if the BREXT bit (CCR5) is 1, in which case the device reactivates the oscillator, waits for 2^{17} (128K) clocks, grants the bus, and deactivates the oscillator again after the bus request is negated. STANDBY mode can revert to NORMAL mode under the same circumstances as from System Stop mode. When one of these stimuli occur while the Z80S183/Z80L183 is waiting for 128K clocks before responding to an enabled bus request, or while the bus is granted, it re-enters Normal mode when the bus request is negated. Otherwise, the Z80S183/Z80L183 reactivates the oscillator and wait for 2^{17} (128K) clocks before commencing normal operation.
SLP	1	1	1	STANDBY WITH QUICK RECOVERY: Similar to STANDBY mode, except that the Z80S183/Z80L183 waits only 64 clocks after enabling the oscillator, before granting the bus or resuming normal operation.



In SLEEP, SYSTEM STOP, IDLE, or either STANDBY mode, if the Z80S183/Z80L183 exits the mode because of $\overline{\text{NMI}}$ or an enabled interrupt with the IEF1 flag 1, the device resumes operation by performing the interrupt, with the return address as the instruction after the SLP instruction. When the device exits the LOW-POWER mode because of an individually-enabled interrupt request, but IEF1 is 0, the Z80S183/Z80L183 resumes by executing the instruction after the SLP.

Reduced Drive/Low Noise Features

Reduced drive is available on many of the outputs of the Z80S183/Z80L183. These options reduce power consumption for applications that do not need the full drive and slew rate capability provided in normal mode. Even more importantly for some applications, invoking these features results in less noise induced onto power and ground.

The following register bits govern the drive strength on various output pins. Each of these bits resets to 0, which selects normal/full drive strength for the outputs. To save power and reduce noise for outputs that do not need the maximum drive and slew rate, software sets the associated bit to 1 during device initialization. This action reduces the drive to about 25% of full strength.

Table 7. Reduced Drive/Low Noise Control Bits

Register	Page	Bit	Output Pins
CPU Control Register (CCR)	84	4	PHI
		1	$\overline{\text{IORD}}$, $\overline{\text{IOWR}}$
		0	A19–0, D7–0
Output Control Register (OCR)	89	3	PA7–0
		2	PB7–0
		1	PC7–0
		0	PD7–0

I/O Ports

The Z80S183/Z80L183 includes four 8-bit I/O ports called A through D. All four ports feature the same basic capabilities. The ports are controlled by three registers for each port: a Data Register, a Data Direction Register, and an Output Control Register.

The ports differ primarily in interrupt capability and in pin-multiplexing with other functions, controlled by an Alternate Function Select (AFS) Register for each port.



The next two sections describe the common characteristics shared by all the ports, then the unique capabilities controlled by the AFS register for each port

The section titled, “I/O Port Registers” on page 99, describes the registers associated with the I/O ports.

Data Registers

Writing to a Data Register affects the data that is driven onto pins that are designated as outputs in the Data Direction and Output Control Registers. Reading from the Data Register returns the states of the pins, for both inputs and outputs. The output latches cannot be read separately.

Data Direction Registers and Output Control Registers

These registers determine which pins in each port are inputs and which are outputs, and for outputs, select one of three output modes. The following table shows the four possible states for each pin:

DDR	OCR	FUNCTION
0	0	Totem pole output (active pullup)
0	1	Open-drain output (no internal pullup)
1	0	Input
1	1	Open-drain output with internal pullup resistor

The totem pole outputs actively drive both High and Low. The classic open-drain output only drives Low, and relies on an external pull-up resistor to ensure a High voltage when no open-drain driver is driving Low. (This external pull-up also avoids excessive current draw by the Z80S183/Z80L183’s receiver and any other CMOS receivers that may be connected to the signal. The 11B state is similar but connects an internal pull-up resistor of about 15K Ohms, eliminating the need for an external pullup.

All four DDRs reset to all 1s and all four OCRs reset to all 0s, so Reset configures all port pins as inputs.

The Data Direction Registers can only be written if the Register Write Enable bit is 1 in the WDT registers.

Port A Alternate Function Select (AFSA)

This register controls interrupts from port A. AFSA resets to all zeroes, disabling all interrupts from port A. Setting any of these bits to 1 enables the corresponding pin to interrupt. When an interrupt is requested by the port and interrupts are



enabled, the Z80S183/Z80L183 fetches the address of the Interrupt Service Routine (ISR) from memory at address (I : IL : 20). The ISR reads the Data Register to determine which pin(s) caused the interrupt. Pins selected for interrupts are level-sensitive and active Low. Regardless of how this register is programmed, software sets DDRA for each port pin. Setting a pin as an output, and enabling interrupt for it, allows software to force an interrupt.

Port B Alternate Function Select (AFSB)

This register controls alternate functions for the port B pins. AFSB resets to all 0s, so that all of the pins are assigned to port B. Setting a bit to 1 selects the following alternate function for the pin:

PB0: CKS
PB1: DCD0
PB2: CTS0 or PWRUP
PB3: TXA0
PB4: RXA0
PB5: TXA1
PB6: RXA1
PB7: RXS

Selecting the alternate function for a pin disables any control of the pin by the DDRB register, but the corresponding bit in OCRB must be 0.

Port B Weak Latch Disable Feature

Most of the inputs on the Z80S183/Z80L183 have weak latch circuits to reduce power consumption if an input is not driven by an external device. A weak latch can come up in either state at Power On, and thereafter is easily over-driven by an external driver, or for bidirectional pins like the Port pins, by an internal driver. Typically, the only effect of weak latches is to prevent an input voltage from floating in the threshold region that makes the receiver circuit draw high current.

For the $PB7-0$ pins only, the weak latches can be disabled by setting Bit 4 of the Output Control Register to 1, (described on page 89). When this Bit 4 is 0, as it is after a Reset, weak latches are enabled on Port B.

Port C Alternate Function Select (AFSC)

AFSC resets to all 0s, so that all of the pins are assigned to port C. Setting a bit to 1 assigns that pin to the Programmable Output Generator (POG). In this



ALTERNATE FUNCTION mode, the DDRC and OCRC registers determine the output drive on the pin. This feature allows the POG to be used with any of the output modes of the normal port function. To use PC0 as a 50 or 60 Hz time base for the Real Time Clock, leave AFSC Bit 0 at 0, DDRC Bit 0 at 1, and OCRC Bit 0 at 0.

Port D Alternate Function Select (AFSD)

This register controls interrupts from Port D. AFSD resets to all 0, disabling all interrupts from port D. Setting any of these bits to 1 enables the corresponding pin to interrupt. When an interrupt is generated by the port and interrupts are enabled, the Z180 fetches the address of the Interrupt Service Routine (ISR) from memory at (I: IL: 22). The ISR must read the Data Register to determine which pin(s) caused the interrupt. Pins selected for interrupts are level-sensitive and active Low. Regardless of how this register is programmed, software must set DDRD for each port pin. Setting a pin as an output, and enabling interrupt for it, allows software to force an interrupt.

► **Note:** PD0 and PD1 also function as $\overline{\text{DREQ0}}$ and $\overline{\text{DREQ1}}$ respectively. The DMA section describes how to take DMA Requests from these pins, which programmed inputs in this case. To use the A/D capability of Port D, leave the Alternate Function Select Register in PORT mode and set the DDRD and OCRD for input.

Table 8. Register Reference

Register	On Page	Bit	Output Pins
CPU Control Register (CCR)	84	4	PHI
		1	$\overline{\text{IORD}}$, $\overline{\text{IOWR}}$
		0	A19–0, D7–0
Output Control Register (OCR)	89	3	PA7–0
		2	PB7–0
		1	PC7–0
		0	PD7–0

DMA Channels

The Z80S183/Z80L183 includes two DMA channels called DMA0 and DMA1. Both channels can transfer data between memory and a peripheral in I/O space.



In addition, DMA0 can perform memory-to-memory block transfers, and transfers between memory and memory-mapped I/O devices.

Both DMA channels are of the *flowthrough* type, in which each byte transferred requires two bus cycles—the first to read the source and the second to write the destination. As a result, neither memory nor peripherals are subject to any special considerations for bus cycles controlled by the DMA channels, because such cycles are identical to processor bus cycles.

DMA transfer can occur as fast as 6 clocks/byte. At 33 MHz, this speed corresponds to 5.5 MBPS. Destination/output devices require Edge-Sensitive request mode, in which the maximum rate is 9 clocks/byte, or 3.67 MBPS at 33 MHz.

The section, “DMA Registers” on page 109, describes the registers associated with the DMA channels.

DMA Basics

Each channel has two 20-bit address registers and a 16-bit byte count. For DMA0 the address registers are called the Source and Destination Address Registers (SAR and DAR). DMA1’s address registers are called the Memory and I/O Address Registers (MAR and IAR).

Each address register is divided into three Z80S183/Z80L183 I/O registers, called L (Low), H (High), and B.

When a DMA channel is operating, it drives A7–0 from the L register and A15–8 from the H register. For memory addresses (always for MAR), the channel drives A19–16 from the least-significant four bits of the B register. For I/O addresses (always for IAR), the channel uses the least-significant three bits of the B register to select the source of the DMA Request signal that controls data transfer.

Each byte count register is divided into two Z80S183/Z80L183 I/O registers, called L (Low) and H (High).

After programming a DMA channel’s address and byte count registers, software starts the channel by setting the Enable bit in the DSTAT register (DE0 or DE1). When the channel transfers each byte, it decrements the byte count register. When a channel has decremented the byte count to 0, it goes inactive by clearing its Enable bit to 0.

Software can select whether a channel increments or decrements a memory address when it transfers each byte. DMA0 also features an option to keep a memory address fixed. This fixed address option is intended for use with a memory-mapped I/O device that provides a DMA Request signal on the PD0/AC0/DREQ0 pin.



DMA Requests

An external peripheral, which needs a DMA channel to transfer data for it, must provide a DMA request signal to the $\overline{PD0}/\overline{AC0}/\overline{DREQ0}$ pin for DMA0, and/or to the $\overline{PD1}/\overline{AC1}/\overline{DREQ1}$ pin for DMA1. A DMA request can be connected directly to one of these pins if only one external peripheral is serviced by that DMA channel. When more than one external device uses a DMA channel, external selection logic must be included in the application to route the current device's request to the channel's \overline{DREQ} pin.

The otherwise unused Bits 19–16 of the I/O address of a peripheral, select either the external \overline{DREQ} pin or an internal peripheral as the source of each DMA channel's request. For a memory-mapped peripheral (a source or destination of a DMA0 memory-to-memory operation that is programmed to use a fixed address), the $\overline{PD0}/\overline{AC0}/\overline{DREQ0}$ pin is always used as the Request signal.

The DMA request signal indicates when an input or source peripheral has a byte to be transferred to memory, or when an output or destination peripheral needs a byte from memory.

Edge- vs. Level-Sensitive Requests

DMA requests can be programmed to be low-level sensitive or falling-edge sensitive. For an output/destination peripheral, the timing requirements on the DMA Request signal dictate falling-edge mode. An input/source peripheral can use either an edge- or level-sensitive DMA Request.

Figure 7 illustrates the timing of a level-sensitive DMA Request. DMA operation is triggered when the channel samples the DMA request line Low. The channel samples the Request line again, at the rising \overline{PHI} edge that begins the second-last clock cycle of the write cycle to the destination. When the Request line is Low at that time, as it is at the rightmost down-arrow below, the channel continues on to transfer another byte. When the Request is High, as at the leftmost down-arrow below, the DMA channel relinquishes use of the bus (to the processor, the other DMA channel, or an external master) after completing the write cycle.

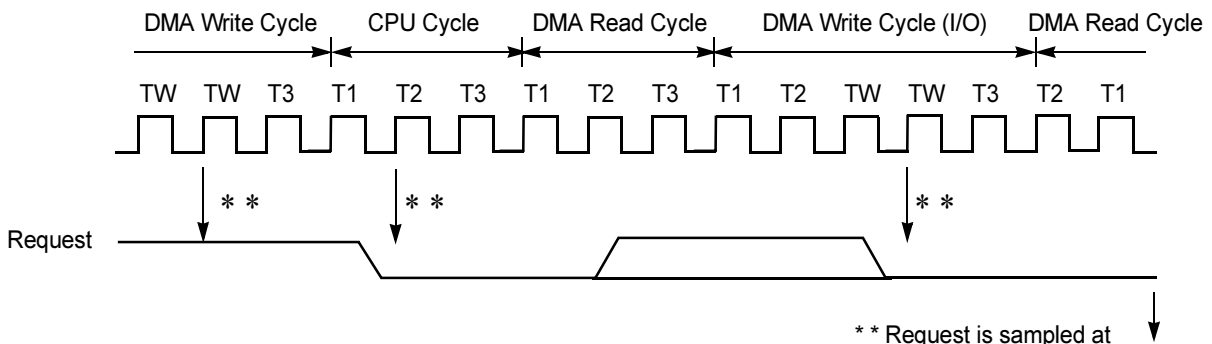




Figure 7. Processor/DMA Operation with Level- Sense Request

Figure 8 illustrates the timing of an edge-sensitive request. At the first down-arrow, the DMA channel writes a byte to the destination. However, a new falling edge has not occurred by the second-to-last rising PHI edge of the cycle. The channel relinquishes the bus to the processor.

By the same sampling point in the subsequent processor cycle, a new falling edge has occurred on the Request line, so the DMA channel assumes control of the bus, and reads and then writes a byte.

At the same point in the DMA write cycle, a new falling edge has not yet occurred, so the channel returns bus control to the processor. The channel does not operate again until the Request line goes High and then Low again, some time after the right edge of Figure 8.

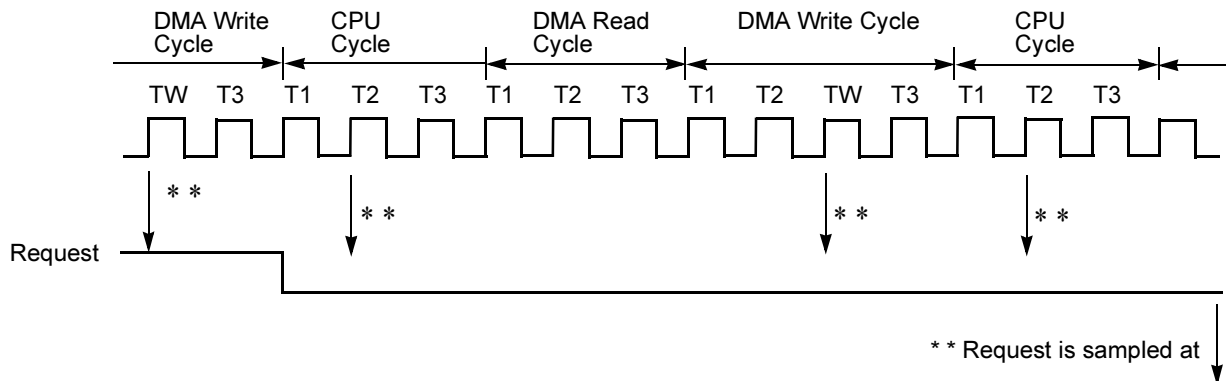


Figure 8. Processor/DMA Operation with Edge-Sense Request

Memory-to-Memory Modes

In a DMA0 memory-to-memory operation, in which both the source and destination are programmed for address incrementing or decrementing, there is no peripheral to supply a request signal to control the transfer. In this case, software can select between two modes of operation by programming MMOD, Bit 1 of the DMA mode register.

When MMOD is 0, the processor and DMA channel alternate bus cycles until the DMA completes the block transfer and decrements the byte count to 0. This sequence is called CYCLE STEAL mode.

When MMOD is 1, the DMA channel performs continuous cycles until the block transfer is complete. The processor can perform no other actions during this time. This sequence is called BURST mode.



DMA Interrupts

Software can enable interrupts from each DMA channel, which then requests an interrupt after decrementing its byte count to 0. When the processor acknowledges this interrupt, it fetches the address of the interrupt service routine from memory at (I : IL : 8) for DMA0, or (I : IL : 10) for DMA1.

When the interrupt service routine does not have another block of data for the DMA channel to transfer, it prevents further interrupts by clearing the interrupt enable bit (DSTAT Bit 2 for DMA0, Bit 3 for DMA1), before it reenables interrupts with an `EI` instruction. When the ISR programs the DMA channel for another transfer, interrupts can be reenabled with an `EI` instruction, after restarting the DMA by writing to DCNTL.

Setting Up a DMA Transfer

Write the Address Registers

For DMA0, this process includes registers SAR0L, SAR0H, SAR0B, DAR0L, DAR0H, and DAR0B. When the source is in I/O space, write SAR0B with a code to select the source of the DMA Request for DMA0, as described in Table 9:

Table 9. SAR0B value for a Source in I/O Space

SAR0B Bits 2–0	DMA Request Source
000	PD0/AC0/DREQ0 pin
001	ASCIO RDRF
010	ASC11 RDRF
011	Reserved, do not program
1xx	Reserved, do not program

When the DMA destination is in I/O space, write DAR0B with a code to select the source of the DMA Request for DMA0, as described in Table 10:



Table 10. DAR0B Value for a Destination in I/O Space

DAR0B Bits 2–0	DMA Request Source
000	PD0/AC0/DREQ0 pin
001	ASCI0 TDRE
010	ASCI1 TDRE
011	Reserved, do not program
1xx	Reserved, do not program

For DMA1, software must write registers MAR1L, MAR1H, MAR1B, IAR1L, IAR1H, and IAR0B. Write IAR1B with a code to select (with the DIM1 bit in the DCNTL) the source of the DMA Request for DMA1, as described in Table 11:

Table 11. IAR1B Value

IAR1B Bits 2–0	DIM1	DMA Request Source
000	X	PD1/AC1/ DREQ1 pin
001	0 (mem→I/O)	ASCI0 TDRE
	1 (I/O→mem)	ASCI0 RDRF
010	0 (mem→I/O)	ASCI1 TDRE
	1 (I/O→mem)	ASCI1 RDRF
011	X	Reserved, do not program
1xx	X	Reserved, do not program

Write the Byte Count Registers

Write the less-significant byte to BCR0L or BCR1L, and the more-significant byte to BCR0H or BCR1H. An all-0 value causes the DMA to transfer 65,536 bytes.

For DMA0, Write the DMA Mode Register

Bits 3–2 select the operating mode for the source, as described in Table 12. Bits 5–4 select the operating mode for the destination, as described in Table 13. For memory-to-memory block transfers, Bit 1 (MMOD) selects between Cycle Steal and Burst modes, as described in “Memory-to-Memory Modes” on page 43.

**Table 12. DMA0 Source Mode**

DMODE 3–2	Mode
00	Increment Memory Address
01	Decrement Memory Address
10	Fixed Memory Address (request on PD0/AC0/DREQ0 pin)
11	Fixed I/O Address

Table 13. DMA0 Destination Mode

DMODE 5–4	Mode
00	Increment Memory Address
01	Decrement Memory Address
10	Fixed Memory Address (request on PD0/AC0/DREQ0 pin)
11	Fixed I/O Address

Write the DCNTL Register

When both DMA channels can be used simultaneously, software reads DCNTL, modifies the bits noted below for the current DMA channel, and writes back the result. Otherwise, software can simply write DCNTL.

Bits 7–4 select the number of waits to insert for Memory and I/O accesses, as described in the section “Wait State Generators” on page 26. For DMA0, Bit 2 selects between edge- and level-sensitivity on the DMA Request. For DMA1, Bit 3 selects between edge- and level-sensitivity, and Bits 1–0 select the operating mode as described in Table 14:

Table 14. DMA1 Operating Mode

DCNTL 1–0	Mode
00	Increment Memory Address → Fixed I/O Address
01	Decrement Memory Address → Fixed I/O Address
10	Fixed I/O Address → Increment Memory Address
11	Fixed I/O Address → Decrement Memory Address



Write the DSTAT Register to Enable the DMA Channel

When both DMA channels can be used simultaneously, software reads DSTAT, modifies the bits noted below for the current DMA channel, and writes back the result. Otherwise, software can simply write DSTAT.

For DMA0, write 110 to Bits 6–4, and write a 1 to Bit 2 if DMA0 interrupts when it has decremented its byte count to 0, or a 0 if not.

For DMA1, write a 1 to Bit 7, 01 to Bits 5–4, and a 1 to Bit 3 if DMA1 interrupts when it has decremented its byte count to 0, or a 0 if not.

NMI and DME

When software writes to DSTAT to enable either DMA channel, this action also sets the DMA Master Enable (DME) bit (Bit 0 in DSTAT). A 1 in this bit enables operation by either or both DMA channels.

To guarantee that a Non Maskable Interrupt (NMI) is handled promptly when it detects $\overline{\text{NMI}}$ Low, the Z80S183/Z80L183 sets DME to 1 to suspend DMA operation.

The NMI service routine reads DSTAT immediately after saving the registers. For each DMA channel, if the DE bit (DSTAT7 or 6) is 1, and the associated device (if any) has not overrun or underrun, the service routine clears that channel's DWE bit (DSTAT5 or 4) to 0. Then, if either DWE bit is 0, the routine writes the result back to DSTAT. This sequence sets DME again and reenables DMA operation.

DMA Channel Completion

While a DMA channel is operating, software can stop it by reading DSTAT, clearing bits 6 and 4 for DMA0, or 7 and 5 for DMA1, and writing the result back to DSTAT.

Otherwise, if software enabled the channel to interrupt when the channel has decremented its byte count to 0, an interrupt is requested.

When software does not enable the DMA channel to interrupt, it can read the Enable bit in DSTAT (Bit 6 for DMA0, Bit 7 for DMA1) to determine whether/when the DMA channel finishes transferring the current block of data. In some applications, software can use status or an interrupt from the associated peripheral device to determine completion of the block transfer.

Handling DMA Interrupts

When the conditions noted in “On-Chip Interrupt Handling” on page 21 are met with respect to a DMA interrupt request, the processor fetches the interrupt service routine (ISR) address from memory at (I : IL : 8) for DMA0 or (I : IL : 10) for DMA1. The ISR performs the following functions, as a minimum:



- Reads the DSTAT to verify that the DE bit is 0 for the DMA channel corresponding to the service routine entry point. When a common ISR is used for both DMAs, the DSTAT value indicates which DMA channel(s) has (have) completed operation.
- Reprograms the channel's registers and restarts it if the channel is to continue operation.
- Clears the DIE bit for the channel, in the DSTAT register, to prevent another interrupt for the same DMA completion.
- Concludes with EI and RET instructions, to return to the interrupted process.

Watch-Dog Timer

The Watch-Dog Timer (WDT) helps protect against unreliable software, power line faults that put the processor into unusual states, and other system-level problems.

When the WDT is enabled, software must periodically reload it, to prevent it from resetting the processor or the entire application. The time period, within which software must reload the WDT, is programmable among 2^{18} , 2^{22} , 2^{25} , or 2^{27} system clocks.

The registers in the WDT are detailed in "Watch-Dog Timer Registers" on page 122.

Several provisions of the WDT enhance its integrity against runaway execution. The WDT can only be reloaded by writing the specific value 4EH to the WDT Command register. The WDT can only be disabled by:

- Setting Bit 1 of the WDT Master register to 1
- Writing the value 40H to the WDT Command register
- Clearing Bit 1 to 0 in the Master register.

Core code at logical address 0000B typically identifies a Reset if the SP contains 0000B. At reset, two bits in the WDT Master register (WDTMR) help identify the cause of the reset. Bit 3 is 1 for a Power On Reset, while Bit 2 is 1 for a WDT Reset. Reading The WDTMR clears these bits for subsequent reads.

Programmable Reload Timers

The Z80S183/Z80L183 includes two Programmable Reload Timers called PRT0 and PRT1. Each includes a 16-bit down-counter that can be read at any time, and a reload value that can be dynamically programmed. Each PRT can interrupt the processor when it counts down to 0 and reloads.

- **Note:** On other 8018x family devices, PRT1 has waveform-generation capability on a pin called TOUT, but on the Z80S183/



Z80L183 this function is superseded by the more capable Programmable Output Generator (POG).

“Programmable Reload Timer (PRT) Registers” on page 125, details the PRT registers. Reset clears both Timer Downcount Enable bits (TDE1, TDE0) in the Timer Control register to 0, which prevents PRT operation.

Starting a PRT

To start a PRT:

1. Write the initial down-count value to the Timer Data Registers (TMDR0L and TMDR0H, or TMDR1L and TMDR1H)
2. Write the second (and possibly constant) down-count value to the Timer Reload Registers (RLDR0L and RLDR0H, or RLDR1L and RLDR1H)
3. Read the Timer Control Register (TCR)
4. Set the appropriate Timer Downcount Enable bit (TDE0 or TDE1) to 1.
5. Set or clear the corresponding Timer Interrupt Enable bit (TIE0 or TIE1) depending on whether an interrupt is desired when the count is decremented to 0.
6. Write the result value back to the TCR.

The read-modify-write procedure of steps 3-6 ensures that starting one PRT does not affect the operation of the other. Applications that only use one PRT can simply write the desired value to the TCR instead.

Stopping a PRT

To stop a running PRT:

1. Read the TCR.
2. Clear the PRT's TDE bit.
3. Write the result value back to the TCR.

A PRT may be stopped when its timing function is no longer needed, or before rewriting the RLDR value as described in the next section.



PRT Operation

While a PRT is running, it decrements the down-counter every 20 PHI clocks. When it counts down to 0, a PRT automatically performs the following actions:

1. Reloads the TMDR from the RLDR.
2. Sets the TIE bit in the TCR to 1.
3. Requests an interrupt if the TIE bit in the TCR is 1.

After reading a TIF bit as 1 in the TCR, software clears it by reading either half of that PRT's TMDR. However, reading a TMDR, without first reading a TIF bit as 1 in the TCR, does not clear the TIF bit.

Software can read a down-counter, from TMDR0L and TMDR0H or TMDR1L and TMDR1H at any time. The PRTs ensure that the two 8-bit values read by IN0 instructions are consistent, provided that software reads TMDR0L or TMDR1L first. Reading one of these registers captures the more-significant byte of the down-counter in a separate 8-bit latch, from which the value is provided when software subsequently reads TMDR0H or TMDR1H.

Writing an RLDR

Software can write a new reload value to RLDR0L and RLDR0H or RLDR1L and RLDR1H, while a PRT is running, but there is no hardware safeguard against the down-counter decrementing to 0 between the two 8-bit OUT0 instructions needed to write the new reload value. When this occurs, the value loaded into the down-counter may be incorrect.

When a new reload value is written in response to a PRT interrupt or to detecting a TIF Bit 1 in the TCR, and the count values are large enough to prevent this problem, software can write the RLDR. Otherwise software must perform the following steps to load an RLDR:

1. Reads the Timer Control Register (TCR).
2. Clears the PRT's TDE bit.
3. Writes the result back to the TCR.
4. Writes the PRT's RLDR (L and H, in either order).
5. Writes the value from step 1 (with the TDE Bit 1) back to the TCR.

Handling PRT Interrupts

When the conditions noted in "On-Chip Interrupt Handling" on page 21 are met with respect to an interrupt request from a PRT, the processor reads the address of the interrupt service routine from memory at address (I : IL : 4) for PRT0, or (I : IL : 6) for PRT1. The PRT ISR performs the following actions:



1. Save as many registers of the interrupted process as it may use (worst case), by means of `PUSH`, `EX AF,AF'`, and/or `EXX` instructions.
2. Read the TCR, verifying that the TIF bit is set to 1.
3. Read the PRT's TMDRL register to clear the TIF bit, preventing another interrupt for the same zero-count.
4. When the RLDR value must be changed for the next down count sequence, the ISR proceeds as described in "Writing an RLDR", described previously.
5. Next, the ISR performs any necessary time-periodic functions in service to the overall application.
6. When these timer functions are completed, the ISR restores the saved registers, and returns to the interrupt process using `EI` and `RET` instructions.

When both PRTs are active and both are started and stopped, either at interrupt or mainline level, the mainline code that reads, modifies, and writes the TCR must protect against conflicts with an ISR for the other PRT. It surrounds the read-modify-write sequence (steps 1–5 in "Writing an RLDR" on page 50) with `DI` and `EI` instructions.

PRTs and Reset

Both TMDRs and both RLDRs reset to `FFFFH`, and the TCR resets to all 0, which inhibits PRT operation until a TDE bit is set.

Real Time Clock

The Real Time Clock module operates like a watch chip, maintaining readable registers ranging from seconds to centuries. An application that uses the RTC must provide it with one of several specific time bases. A 32.768 crystal can be connected to the `LFXTAL` and `LFEXTAL` pins, or a 50- or 60-Hz clock derived from AC power can be connected to the `PC0` pin.

The RTC also includes an alarm function. Programmable registers containing alarm seconds, minutes, and hours are continually compared to the corresponding clock values. When all three registers match, the RTC can interrupt the processor. When a Snooze function is required, it must be implemented by software.

The section titled, "Real Time Clock (RTC) Registers" on page 131, describes the registers in the RTC. All of them are read/write. After software sets these registers, the RTC maintains the time provided there is Power On the V_{DD} pins. Reset has no effect on the RTC.



- ▶ **Note:** The Register Write Enable bit must be set as described on page 28, before any of the RTC registers can be written.

Configuring the RTC

First, software must select the time base for the RTC: a 32.768 KHz crystal on the `EXTAL` and `LFEXTAL` pins, or a 50- or 60-Hz clock on the `PC0` pin, in Bits 4–3 of the RTC Command/Status register. The RTC divides the selected base clock by 32768, 50, or 60 to produce a 1 Hz clock that increments the Seconds register.

Setting the Time and Date

The first step in setting the time and date is to determine them from a user interface or a network or serial link. Next, software must convert the time and date to the BCD format used in the RTC registers. The RTC does not include any hardware support for deriving the day of the week from the other values. Finally, software writes these values to the RTC Seconds, Minutes, Hours, Day of the Week, Date, Month, Year, and Century registers.

- ▶ **Note:** The RTC registers increment in Binary Coded Decimal (BCD) format, and values written to these registers must be encoded in this format. In most of the RTC registers, Bits 7-4 contain a tens digit and Bits 3-0 contain a units digit. Neither field may contain any of the values `1010B` through `1111B`. Most of the RTC registers have further restrictions on the range of values that can be written to them, which are noted later in “RTC Incrementing”.

Writing the RTC Registers

While writing a new time and date into the RTC registers, there is a slight chance that a 1 Hz clock edge that causes a rollover will occur between writes, so that the registers contain the wrong value. To protect against this possibility:

1. Write all of the registers starting with the Seconds register.
2. Read the Seconds register.

When the value from step 2 is less than the value written to the Seconds register in step 1, a rollover occurred and the RTC registers may be wrong: Return to step 1.



Reading the RTC registers

When reading the RTC registers, there is a slight chance that a 1Hz clock edge that causes a rollover will fall between reads, so that the set of values read is wrong. To protect against this possibility:

1. Read all the registers, starting with the Seconds register.
2. Read the Seconds register again.

When the Seconds value from step 2 is less than the Seconds value from step 1, a rollover occurred: return to step 1.

RTC Operation

RTC Incrementing

This section describes the functions of clocks and calendars.

1. The Seconds register rolls over from 59 to 0, at which time the Minutes registers is incremented.
2. The Minutes register rolls over from 59 to 0, at which time the Hours register is incremented.
3. The Hours register rolls over from 23 to 0, at which time the Day of the Week and Date registers are incremented. The RTC is a 24-hour clock.
4. The Day of the Week register rolls over from 7 to 1.
5. The contents of the Month, Year, and Century registers determine how the Date register rolls over. When the Date register rolls over, the Month register is incremented.
 - When the Month is 1, 3, 5, 7, 8, 10, or 12, the Date register rolls over from 31 to 1.
 - When the Month is 4, 6, 9, or 11, the Date register rolls over from 30 to 1.
 - When the Month is 2 and the Year and Century registers indicate a leap year, the Date register rolls over from 29 to 1. Otherwise it rolls over from 28 to 1.
6. The Month Register rolls over from 12 to 1, at which time the Year register is incremented.
7. The Year register rolls over from 99 to 0, at which time the Century register is incremented.

Setting and Polling the Alarm

To set an alarm, write the Alarm Seconds, Alarm Minutes, and Alarm Hours registers. The RTC continually compares these values with those in the Seconds, Minutes, and Hours registers, and sets the Alarm bit (Bit 7) in the RTC Control/Status



register (RTCCS) whenever all of these registers are equal. When the RTC Alarm interrupt is disabled, software can poll Bit 7 in the RTCCS periodically to detect an Alarm.

Handling an Alarm Interrupt

When an interrupt is desired when the RTC sets the Alarm bit, set Bit 6 (IE) in the RTC Control/Status register after writing the three Alarm registers. Thereafter, when the Alarm bit (RTCCS7) is 1 and the conditions in “On-Chip Interrupt Handling” on page 21 have been met with respect to the RTC request, the Z80S183/Z80L183 responds by fetching the RTC interrupt service routine (ISR) address from memory at address (I : IL : 26). Most of this ISR is application-dependent, but as a minimum the ISR performs the following actions:

1. Save as many registers of the interrupted process as it may use, using `PUSH`, `EX AF, AF'`, and/or `EXX` instructions.
2. Check that the Alarm bit (Bit 7) of the RTC Control/Status (RTCCS) register is 1. When Bit 7 is 0, the ISR may log this unknown interrupt, before restoring the saved register values and returning to the interrupted process using `EI` and `RET` instructions.

When a future alarm at a different time is desired, the ISR must reprogram the Alarm registers with that time. When no future Alarm is required, clear the `IE` bit in the value read in step 2. When an Alarm is required at the same time tomorrow, increment the Alarm time by 1 second, and write that value to the Alarm registers. This action prevents a continuing match from setting the Alarm bit immediately.

1. Clear Bit 7 in the value read in step 2, and write it back to RTCCS.
2. Restore the saved registers after application-dependent processing is complete, and return to the interrupted process by means of `EI` and `RET` instructions.

When an Alarm at the same time tomorrow was needed in step 2, when the next RTC Alarm interrupt occurs (1 second later) repeat steps 1–4, decrementing the Alarm registers back to their original value.

Digital/Analog Converter)

The Digital-to-Analog Converter converts 10-bit digital values to analog voltages using a 10-stage resistor ladder. The DAC output is protected against latch-up and can drive output loads.

The `AVDD` and `AGND` pins provide the analog power for both the ADC and DAC modules. To achieve the specified accuracy, the voltages must be within the specified tolerances of `VDD` and `VSS` respectively. For maximum accuracy, isolate and filter `AVDD` and `AGND` from power supply noise.



“Digital-to-Analog Converter (DAC) Registers” on page 137, describes the I/O registers associated with the D/A Converter. These registers include a Data register containing the eight most-significant bits of the digital value, and a Control register (DACCR) that holds the two least-significant bits plus configuration and enable bits.

Reference Voltage Selection

Bits 5–4 of the Control register select the reference voltage, which is multiplied by the binary fraction represented by the digital value to be converted, to obtain the voltage produced on the A_{OUT} pin.

DACCR5–4	Reference Voltage
0X	PA0/VREF pin
10	internal 4.2 V
11	internal 2.6 V

► Notes:

1. The DAC and A/D Converter share the $PA0/V_{REF}$ pin as an external analog reference voltage.
2. The reference voltage selected by Bits 5–4 must be equal to or less than AV_{DD} and V_{DD} .

When the 10-bit binary value in the Data and Control registers is $1000000000B$, and Bits 5–4 are $00B$, the voltage on the A_{OUT} pin is 2.1 volts.

Programming the DAC

To convert a 10-bit value to an analog voltage:

1. Write the eight most-significant bits of the value to the DAC data register.
2. Write the two least-significant bits of the value to Bits 7–6 of the DAC Control register, along with the reference voltage selection in Bits 5–4, and a 1 in Bit 2 to enable analog voltage drive on the A_{OUT} pin.

The voltage on A_{OUT} settles to the programmed value within 1 microsecond after step 2.

Analog/Digital Converter)

The Analog-to-Digital Converter is a 10-bit successive-approximation converter with 8 input pins. Conversion time is $64 \phi_{PHI}$ clocks, or about 1.92 microseconds at



33 MHz. Software determines the completion of a conversion using an interrupt or by polling.

The AV_{DD} and AGND pins provide the analog power for both the ADC and DAC modules. To achieve the specified accuracy, the voltages on these pins must be within the specified tolerances from V_{DD} and GND respectively. For maximum accuracy, isolate and filter AV_{DD} and AGND from power supply noise.

Though the ADC can operate with small analog reference voltages, noise and offset are independent of the reference. Accuracy is maximized for reference voltages close to AV_{DD} and V_{DD} .

“Analog to Digital Converter (ADC) Registers” on page 138, describes the I/O registers associated with the A/D Converter. They include two Control registers, ADCC0 and ADCC1, and a Data register from which the software can read the most-significant eight bits of the digital value when a conversion is complete.

Channel Selection

The ADC can divide the voltage on any of the pins in Port D by the reference voltage, to produce a 10-bit binary fraction. This fraction can be read from the Data register and ADCC1, when the conversion is complete. Bits 2–0 of ADCC1 select the port pin for each conversion:

ADCC1 2–0	Selected Channel
000	PD0/AC0/DREQ0
001	PD1/AC1/DREQ1
010	PD2/AC2
011	PD3/AC3
100	PD4/AC4
101	PD5/AC5
110	PD6/AC6
111	PD7/AC7

Reference Voltage Selection

Bits 1–0 of ADCC0 select the reference voltage by which the voltage on the selected channel is divided, to produce the 10-bit binary fraction.



ADCC0 1–0	Reference Voltage
0X	PA0/VREF pin
10	internal 4.2 V
11	internal 2.6 V

► **Notes:**

1. The D/A Converter and ADC share the PA0/VREF pin as an external analog reference voltage.
2. The reference voltage selected by Bits 1–0 must be less than AV_{DD} and V_{DD} .

Programming the ADC

To convert the voltage on one of the Port D pins to a 10-bit binary fraction:

1. Write ADCC0 Bits 1–0 to select the desired reference voltage, with a 1 in Bit 2 to enable the A/D converter.
2. Write ADCC1 Bits 2–0 to select the desired Port D pin, with a 1 in Bit 3 to start the conversion. Include a 1 in Bit 5 if an interrupt at the end of the conversion is desired. If so, refer to the next section, “Handling an ADC Interrupt”.
3. Read ADCC1 until Bit 4 is 1, indicating polled operation. This operation indicates that the conversion is complete. Because the conversion always takes 64 clocks, 21 NOP instructions can be substituted for reading ADCC1, but NOPs require more memory.
4. Read the ADC Data register to obtain the eight most-significant bits of the result. When all 10 bits of the result are needed, read ADCC1 (Bits 7–6 are the two least-significant bits).

Handling an ADC Interrupt

An interrupt takes at least 18 ϕ_{HI} clocks, plus the overhead of saving and restoring registers, reenabling interrupts, and returning to the interrupted process. Because a complete ADC conversion takes 64 clocks, many Z80S183/Z80L183 applications use polling rather than ADC interrupts, for A/D conversions initiated by the processor.

A/D interrupts are more useful for A/D conversions initiated by the POG module, described in “Programmable Output Generator (POG) Registers” on page 141.



Regardless of the initiator, when the conditions noted in “On-Chip Interrupt Handling” on page 21 are met with respect to an ADC interrupt request, the Z80S183/Z80L183 fetches the address of the ADC interrupt service routine (ISR) from memory at (I : IL : 24). This ISR is application-dependent, but at a minimum it must:

1. Save as many registers of the interrupted process as it may use, using of `PUSH, EX AF, AF'`, and/or `EXX` instructions.
2. Read the Data register into H and ADCC1 into L when all 10 bits are required. When only the most-significant eight bits of the result are required, the ISR reads ADCC1 into A to clear the conversion complete flag and prevent further interrupts for the same conversion, and then read the Data register into A.
3. Process the resulting value. This step is application-dependent.
4. Start another conversion, if desired, as in steps 1–2 of “Programming the ADC” on page 57.
5. Restore the registers using `POP, EX AF, AF'` and/or `EXX` instructions.
6. Return to the interrupted process using `EI` and `RET` instructions.

Sampling and Conversion

During the first 3 PHIPHI clocks of the 64 required for a complete conversion, the ADC samples the voltage on the selected pin. To ensure the accuracy of the conversion, the voltage must remain constant during this time. During the last 61 clocks of the conversion, the pin voltage can change without affecting the result.

Restarting Conversion

An A/D conversion can be started at any time. When a conversion is in progress and a new start command is written to ADCC1, the conversion in progress is aborted and a new conversion is initiated. Software must not change Bits 2–0 of ADCC1 while a conversion is in progress, unless the write that changes these bits also includes a 1 in Bit 3 to start a new conversion.

Saving Power

When the ADC is not needed, a small amount of power can be saved by clearing Bit 2 of ASCC0, shutting down the ADC.

Programmable Output Generator

The Programmable Output Generator (POG) can be used to create multiple complex digital waveforms and trigger A/D and D/A conversions without processor intervention. In addition the POG can generate processor interrupts at selected points during its operation.



The last 256 bytes of on-chip RAM can be read by the POG and can be read and written by the processor. Depending on the value of Bit 5 in the System Control Register, the processor may locate these bytes at addresses `FFF00–FFFFFH` or `xFF00–xFFFFH`, that is, with or without decoding A19–16.

To the POG, this memory area is organized as 64 4-byte entries, each containing:

- A 14- or 16-bit delay value
- A 2-bit entry type
- An 8- or 10-bit data value
- A 6-bit address of the next entry

When the POG fetches an entry from RAM, it stops processing if the next-address field in the entry is zero. Otherwise it loads the entry into internal registers and begins counting down the delay value. When the POG has counted the delay down to zero, it performs the action specified by the rest of the entry. The POG then fetches a new entry using the Next Address value as A7–2 of the memory address.

The section, “Programmable Output Generator (POG) Registers” on page 141, details the I/O registers in the POG that include:

- A Control register that software can use to configure the POG
- An Address/Type register into which the POG fetches control information from each entry
- Timer Low and High registers, into which the POG fetches a 16-bit delay value from each entry, and then counts it down to zero.

Configuring the POG

Bits 1–0 of the Control register select the clock used to count down the delay value in each POG entry, among PHI, PHI/256, PHI/1024, or PHI/4096.

Software must not change these bits while the POG is running. To ensure an accurate delay in the first entry, software set Bits 1–0 to the desired value before setting Bit 7 to enable POG operation.

Bit 6 of the Control register enables or disables interrupts from the POG, if and when it encounters interrupt entries.

Other registers that affect the POG include:

- The AFSC (“Port C Alternate Function Select (AFSC)” on page 39) controls which Port C pins are controlled by the POG.
- The DDRC and OCRC (“Data Direction Registers and Output Control Registers” on page 38) control Port C pin functions.



- The System Configuration Register (SCR, page 91) controls whether the processor as well as the POG can access on-chip RAM, and if so, at what addresses.

Creating POG Entries in On-Chip RAM

Bit 6 of the System Control Register must be 1 to allow the processor to set up POG entries in on-chip RAM. Each entry includes four bytes and starts at an address that is a multiple of 4.

When the processor first enables the POG, the POG always processes the entry at `xFF00-3H` or `FFF00-3H` first.

When a new POG sequence is needed in the future, software can build the next sequence in on-chip RAM while the POG is still running its current sequence, provided that the total length of both sequences is 64 entries or less.

To accomplish this task, software builds the next sequence in those parts of the POG RAM that are not used by the current sequence. Next, software can store the first entry of the next sequence at location `xFF00-3H` or `FFF00-3H`. When the POG has completed its current sequence, software can start the next sequence as described in “Starting and Polling the POG” on page 62.

Digital Data Output Entries

Figure 9 illustrates the format of a POG Digital Data Output entry. The first two bytes contain a delay value, in the units selected by Bits 1–0 of the POG Control register. As with all Z80/180 multi-byte binary values, the least-significant byte is stored first, at the lower address. An all-0 delay value indicates 65,536 clocks. The third byte holds a value that the POG is to output to Port C after the specified delay. Bits 7–2 of the fourth and last byte hold a non-zero address of the next entry, with 00 in Bits 1–0 to identify this entry as a Digital Data entry.

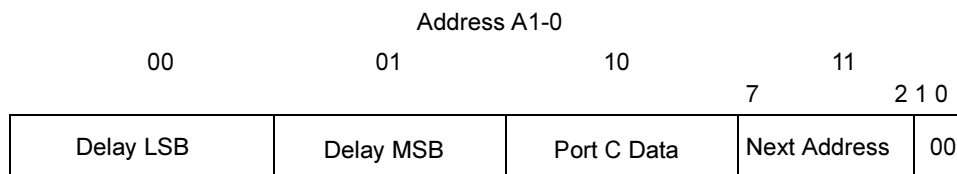


Figure 9. POG Digital Data Output Entry

Analog Data Output Entries

Figure 10 illustrates the format of a POG Analog Data Output entry. The first byte, and Bits 5–0 of its second byte, contain a delay value in the units selected by Bits 1–0 of the POG Control register. As with all Z80/180 multibyte binary values, the least-significant byte is stored first, at the lower address. An all-zero delay value



indicates 65,536 clocks. The third byte holds Bits 9-2, and Bits 7-6 of the second byte contain Bits 1-0, of a 10-bit value that the POG is to output to the D/A Converter after the specified delay. Bits 7-2 of the fourth and last byte hold a non-zero address of the next entry, with 10 in Bits 1-0 identifying this entry as an Analog Data Output entry.

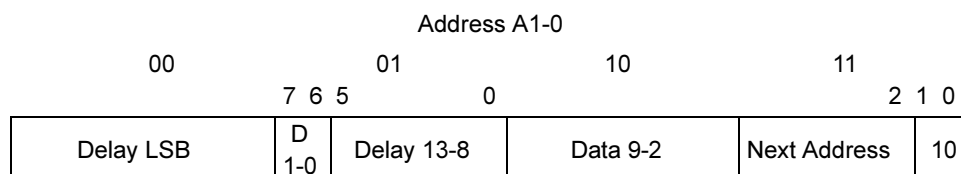


Figure 10. POG Analog Data Output Entry

Analog Data Input Entries

Figure 11 describes the format of a POG Analog Data Input entry. The first two bytes contain a delay value, in the units selected by Bits 1-0 of the POG Control register. As with all Z80/180 multibyte binary values, the least-significant byte is stored first, at the lower address. An all-0 delay value indicates 65,536 clocks. After the specified delay, Bits 2-0 of the third byte hold a channel (port D pin) number, the voltage on which is to be converted to a digital value. Bits 7-2 of the fourth byte contain the non-zero address of the next entry, and 01 in Bits 1-0 identify this entry as an Analog Data Input entry.

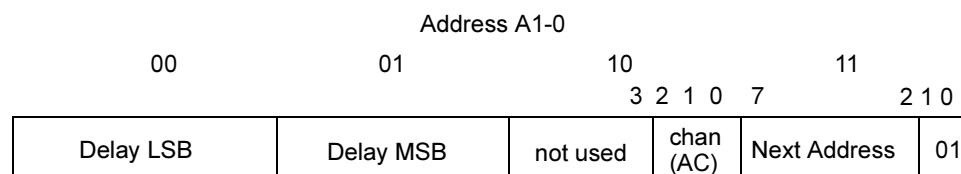


Figure 11. POG Analog Data Input Entry

Interrupt Entries

Figure 12 illustrates the format of a POG Interrupt entry. The first two bytes contain a delay value, in the units selected by Bits 1-0 of the POG Control register. As with all Z80/180 multibyte binary values, the least-significant byte is stored first, at the lower address. An all-0 delay value indicates 65,536 clocks. The third byte of an Interrupt entry is not used. Bits 7-2 of the fourth byte hold the non-zero address of the next entry, with 11 in Bits 1-0 identifying this entry as an Interrupt entry.

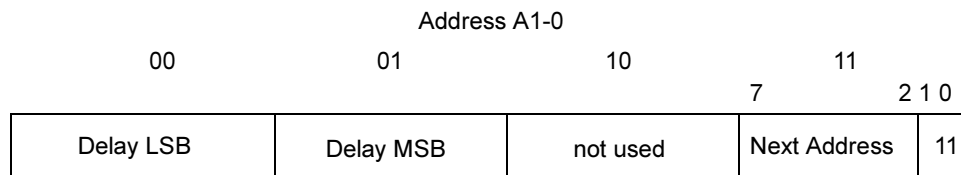


Figure 12. POG Interrupt Entry

End of Sequence Entry

Figure 13 illustrates the format of an entry that identifies the end of a POG sequence. This type of entry is 0 in Bits 7-2 of its fourth byte. The other bits in the entry can be any value. When the POG fetches such an entry, it stops processing immediately, clearing Bit 7 of its Control register.

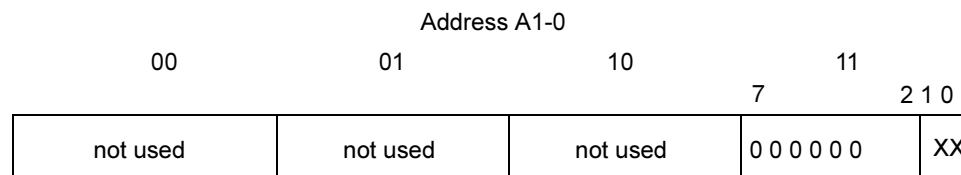


Figure 13. POG End-Of-Sequence Entry

Starting and Polling the POG

After software has built a complete POG sequence in POG RAM, including the first entry in addresses `xFF00-3H` or `FFF00-3H`, and the POG has completed any previous sequence, software proceeds as follows:

1. When a change is required to the clock selection, write the new value to the Control register as a separate step. This action ensures accuracy of the delay associated with the first entry.
2. Write a 1 to Bit 7 of the Control register, maintaining the prior clock selection in Bits 1-0. When the sequence contains one or more Interrupt entries, enable POG interrupts by writing a 1 in Bit 6 of this value.
3. The POG fetches all bits of each entry simultaneously. While the POG runs, the software can track its progress through the sequence by reading the POG Address/Type register.
4. When the Next Address field of an entry is non-zero, the POG counts down the delay value specified in the first two bytes, using the clock selected by Bits 1-0 of the Control register.



- **Note:** For a D/A entry, the POG automatically loads zeroes into the two most-significant bits of the delay counter. D/A entries are limited to a 16,383 clock delay, or 65,536 for an all-zero value.
5. After the POG has counted the delay value down to zero, it performs the action specified by Bits 1-0 of the last byte of the entry:
 - Writes an 8-bit value to Port C.
 - Writes a 10-bit value to the D/A converter.
 - Starts an A/D conversion on a particular channel.
 - Requests an interrupt.
 6. Software can stop POG operation at any time, by clearing Bit 7 of the Control register. Otherwise, when the POG reaches an entry with 0 in its Next Address field, it clears Bit 7 of the Control register and stops. Software polls the Control register to detect when this occurs, or the last active entry in the sequence can be an interrupt entry.

Handling POG Interrupts

When Bit 6 of the POG Control register is 1 and the POG fetches an Interrupt entry, it requests an interrupt. When the conditions noted in “On-Chip Interrupts” on page 20 have been met for this request, the processor fetches the address of the POG interrupt service routine from memory at address (I : IL : 18). The ISR performs the following operations:

1. Save as many registers of the interrupted process as it may use (worst case), using `PUSH`, `EX AF, AF'`, and/or `EXX` instructions.
2. Read the POG Status register and verify that Bit 5 (Interrupt Pending), is 1. If not, the ISR can store logging information in memory if desired, before restoring the registers and using `EI` and `RET` instructions to return to the interrupted process.
3. Clear Bit 5 if IP is 1, in the value read in step 2, and write the result back to the Control register. This action clears the IP bit and prevents further interrupts for the same POG event.
4. Read the Address/Type register, if there is more than one Interrupt entry in the POG sequence, read the Address/Type register to determine which entry caused this interrupt.
5. Reads ADC Control Register 1 and checks the conversion complete bit if this interrupt follows the start of an A/D conversion by the POG. Assuming that the delay in the interrupt entry has guaranteed that the conversion is complete, read the result value from the ADC Result register and, if desired, the two least-significant bits from Control Register 1.



- **Note:** Software can use either an A/D interrupt or a POG interrupt to signal the completion of an A/D conversion initiated by the POG.
1. Other processing is application-dependent. When the interrupt marks the end of a sequence, and another sequence must be run immediately, the ISR can start that sequence as described above.
 2. Restore the saved registers, then use `EI` and `RET` instructions to reenable interrupts and return to the interrupted process.

Async Serial Communications Interfaces

The ASCIs are asynchronous full-duplex UARTs with the following features:

- 7- or 8-bit data
- Odd, even, or no parity
- One or two Tx Stop bits
- Checking for Parity, Framing, and Overrun errors
- Break Generation and Detection
- Choice of two Baud Rate Generators (BRGs)
- Rx and Tx interrupts
- DCD and CTS pins on ASCI0
- Operation with the on-chip DMA channels
- A MULTIPROCESSOR mode with an extra bit designating address vs. data characters

The registers associated with the ASCIs are described in section “Async Serial Communications Interface (ASCI) Registers” on page 144. Control registers A and B (CNTLA0, CNTLA1, CNTLB0, and CNTLB1) and the Extension Control registers (ASEXT0, ASEXT1) are typically written one time each, to configure an ASCI. The Status registers (STAT0 and STAT1) indicate the current state of each ASCI’s Receiver and Transmitter. Under control of this status, software can write bytes to be transmitted to the Transmit Data Registers (TDR0 and TDR1), and read received bytes from the Receiver Data Registers (RDR0 and RDR1).

Basic Clocking

Each ASCI uses the same clock for both transmitting and receiving. Because the Z80S183/Z80L183 does not include `CKA` pins for either channel, clocking for each ASCI must be derived from one of its two baud rate generators (BRG). Further-



more, Bits 2-0 of each CNTLB register must not be left 111, as they are after a reset.

To use the older version of the BRG that is compatible with the original ZiLOG Z80180:

- Clear Bit 3 (BRG Mode) of the Extension Control register, to select the old BRG.
- Write Bit 5 (PS) and Bits 2-0 (SS) in the CNTLB register to select the value by which the old BRG divides the PHI clock to obtain the Basic Clock, as described in Table 15.

Table 15. Old BRG Division Factors

PS (CNTLB5)	SS (CNTLB2-0)	Basic Clock = PHI Divided By
0	000	10
	001	20
	010	40
	011	80
	100	160
	101	320
	110	640
	111	No clock
1	000	30
	001	60
	010	120
	011	240
	100	480
	101	960
	110	1920
	111	No clock

To use the newer BRG that is compatible with the ZiLOG SCC family:

- Set Bit 3 (BRG mode) of the Extension Control register, to select the new BRG.
- Write a 16-bit time constant to the Time Constant Low and High registers. This value is the factor by which the PHI is divided to produce the basic clock, divided by 2, minus 2. The new BRG calculates the basic clock as:

$$\text{basic clock} = \text{PHI} / (2 (\text{TC}+2))$$

Clock Mode

Since neither ASCII has a clock pin on the Z80S183/Z80L183, the 1X ISOCHRONOUS mode that can be used on other 8018x family members, cannot be used on the Z80S183/Z80L183, and Bit 4 (X1 clock) in the Extension Control register must be 0.

When the DR bit (Bit 3) in the CNTLB register is 0, the ASCII divides its basic clock by 16 to obtain the serial bit rate. When DR is 1, the ASCII divides the basic clock by 64.

Async Transmission

Figure 14 illustrates a single asynchronous character on the TXA or RXA pin. When a transmitter is disabled, or when it has completed sending all characters that the software or a DMA channel has provided, the transmitter maintained a High on the TxD pin. This state is also called 1 or Mark.

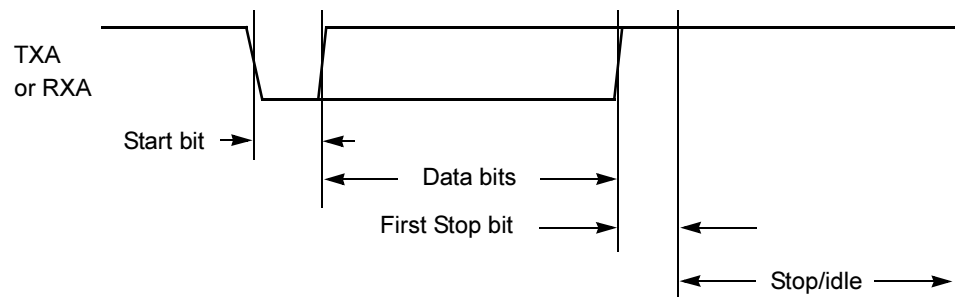


Figure 14. An Asynchronous Character

When software or a DMA channel provides a character to an idle ASCII transmitter:

1. It drives TXA Low on the next falling edge of the basic clock, to begin a start bit, and maintains TXA Low for 16 or 64 basic clocks depending on the value of DR.



2. It switches TXA to the state of the least-significant bit (Bit 0) of the character, and holds that for 16 or 64 clocks.
3. It repeats step 2 for each next-more-significant bit of the character, through the most-significant bit (Bit 6 or 7) of the character, and for a parity or MP bit if one of these is enabled.
4. It drives TXA High (1, Mark) again for a Stop bit, and maintains it High for at least 16 or 64 clocks.
5. It continues this High of another 16 or 64 clocks if Bit 0 of its CNTLA register is 1 to select two Tx Stop bits.

The Tx character is now complete. When software or a DMA channel has provided another character to send, the transmitter begins another Start bit as described above. Otherwise, it maintains a High on TXA High until a character is provided.

Async Reception

The Receiver has a more complex task. When it is first enabled, or after a character has been received the receiver samples the RXA pin on the rising edge of each basic clock.

1. When RXA is High, it remains in this state of waiting for a Start bit.
2. When the receiver samples RXA Low, it counts off half a bit time (8 basic clocks if DR is 0, or 32 basic clocks if DR is 1) then samples RXA again. When RXA is High, the receiver rejects the transient Low state on RXA as not representing a Start bit, and returns to step 1. The RXA pin is sampled again.
3. When RXA is still Low after half a bit time, it validates the Start bit. The receiver then counts off the number of basic clocks in a bit—16 if DR is 0, 64 if it is 1, — and samples RXA for the Least Significant data bit (Bit 0). It continues this routine for each progressively significant data bit (through Bit 6 or 7), and for a Parity or MP bit if either is enabled.

Finally, the receiver counts off 16 or 64 more basic clocks and samples the first Stop bit. When the receiver's basic clock is close to the clock that the transmitter used to send the character, this occurs near the middle of the first Stop bit. When there is no noise or other error on the line, the receiver samples the Stop bit as High/1/Mark. However, if the receiver's and transmitter's clocks were sufficiently different, or if there is noise or an error on the line, the receiver samples the Stop bit as Low/0/Space. This latter situation is called a *framing error*. When a framing error occurs, the receiver sets an error bit that accompanies the character through the receiver FIFO. The receiver then sets the FE bit in the STAT register when the character becomes the oldest one in the FIFO.



The received character is now complete, and the receiver returns to step 1 and samples the line for a new Start bit.

Combined Effect of BRG and Clock Mode

Combining the operation of the BRGs and the division by 16 or 64 performed by the transmitter and receiver, where:

- Serial rate is in bits/second
- PHI is the system clock frequency
- PS is the value written to Bit 5 of CNTLB (0 or 1)
- ^ indicates exponentiation (2 to the power)
- SS is the binary value of Bits 2-0 of CNTLB (0 thru 6)
- DR is Bit 3 of CNTLB (0 or 1)
- TC is the 16-bit value in the ASTCL and ASTCH registers:

Old BRG: $\text{serial rate} = \text{PHI} / ((10 + 20 \cdot \text{PS}) \cdot (2 \wedge \text{SS}) \cdot (16 + 48 \cdot \text{DR}))$

New BRG: $\text{serial rate} = \text{PHI} / (2 \cdot (\text{TC} + 2) \cdot (16 + 48 \cdot \text{DR}))$
 $\text{TC} = (\text{PHI} / (\text{serial rate} \cdot (32 + 96 \cdot \text{DR}))) - 2$

Options

7 or 8 Data Bits

When Bit 2 of CNTLA is 0, the transmitter sends, and the receiver accumulates, 7 data bits per character. When CNTLA2 is 1, the transmitter sends, and the receiver accumulates, 8 data bits per character.

Parity

When Bit 1 of CNTLA is 1, the transmitter accumulates and sends a Parity bit after the data bits, and the receiver samples and checks these bits. When CNTLA1 is 1, a 1 in Bit 4 of CNTLB selects odd parity and 0 in Bit 4 selects even parity. Odd Parity means that a correct character includes an odd number of 1 bits, including the Parity bit. Even Parity means that a correct character includes an even number of 1 bits.

When the receiver samples the Parity bit in the incorrect state for a character, it sets an error bit that accompanies the character through the receiver FIFO. The receiver then sets the PE bit in the STAT register when the character becomes the oldest one in the FIFO.



Transmit Stop Bits.

When Bit 0 of CNTLA is 0, the transmitter sends a minimum of one Stop bit between characters. When CNTLA0 is 1, it sends at least two Stop bits between characters. Selecting two Stop bits has been known to work around timing mismatches between a transmitter and a receiver.

► **Note:** The ASCII receivers on the Z80S183/Z80L183 check only one Stop bit, regardless of Bit 0 of CNTLA. This is also true of ASCII receivers on other current 8018x family members, as well as other UARTs, but on the original Z80180, the ASCIs actually checked two Stop bits if CNTLA0 was 1.

Status

Break Conditions

Break conditions date back to the early days of async communications using Teletypewriters that were functionally half-duplex in that text could only flow in one direction at a time.

When the operator of a receiving Teletype had a condition, or something to say, and wanted to interrupt the data from the other machine, the operator could press a Break key. Pressing this key drove the line to the 0/Space state for several character-times, which switched on a light at the other machine, and stopped its paper tape reader if it had been in use.

A Break is still defined as at least two character times of consecutive zeroes on the line. A receiver detects this as one or more all-0 characters with Framing errors.

Software sends a Break by setting Bit 0 of the Extension Control register. Before doing this, software ensures that any characters previously written to the Transmit Data Register have been sent, by monitoring Bit 0 of the Extension Control register. The duration of a transmitted Break is under software control—clearing the ASEXT Bit to 0 terminates the Break.

While receiving an all-zero character with a Framing error indicates a Break, Bit 1 of the Extension Control register provides more specific break detection. When the receiver detects an all-zero character with a framing error, it sets a Break status bit that accompanies the character through the receiver FIFO. The receiver sets Bit 1 in the ASEXT register to 1 when such a character becomes the oldest one in the FIFO.

After detecting a Break, the receiver does not assemble any further characters until the `RXA` pin returns to High/1/Mark, signalling the end of the Break condition.



Rx Overrun

The ASCIs in the Z80S183/Z80L183 contain 4-character Rx FIFOs between the Rx Shift registers and Receive data registers. When a receiver receives a character and there are already 4 characters in the FIFO, an overrun status bit is set that accompanies the *preceding* character through the FIFO. The receiver then sets the OVRN bit (Bit 6 in the STAT register) to 1 when that character becomes the oldest in the FIFO.

The receiver discards the character that triggers the overrun condition, *and subsequent characters*, until the last good character has come to the top of the FIFO so that OVRN is 1, and software writes a 0 to the EFR bit to clear OVRN.

Receive Status

There are four receive status bits in the STAT register and one in the Extension Control register. RDRF, Bit 7 of STAT, is 1 whenever there is at least one received character in the Rx FIFO. RDRF is cleared:

- When the software or a DMA channel has read all characters out of the Rx FIFO
- By a reset
- In I/O STOP mode
- On ASCI0, when the $\overline{\text{DCD0}}$ pin is autoenabled and is High.

FE, PE, and OVRN in the STAT register are 1 when a character with a framing error or parity error, or the last character before an Rx Overrun, comes to the top of the receive FIFO. Similarly, Bit 1 in the Extension Control register is 1 when a Break character comes to the top of the FIFO.

Any of these bits remain 1 even if the character associated with the condition is read out of the receive FIFO. That is, these bits *latch* an error or exception condition. Reading CNTLA clears all four of these bits, clears Bit 3 (Error Flag Reset, or EFR) to 0, and writes the result back to CNTLA.

This action also allows the receiver to put subsequent characters into the receive FIFO after an Overrun, and if the receiver is handled by a DMA channel, allows the channel to service the receiver again.

Modem Control/Status

The only ASCII modem control or status signals on the Z80S183/Z80L183 are DCD0 and CTS0. The state of the DCD0 pin can be read as Bit 2 of the STAT0 register, and that of CTS0 as Bit 5 of CNTLB0. Both bits read as 1 if the pin is High/inactive.

Bit 6 in the Extension Control register controls whether DCD0 automatically enables and disables the receiver. Bit 5 controls whether CTS0 automatically enables and disables the transmitter.



In each case, if one of these ASEX_T bits is 0, as it is after a reset, then a Low on the pin allows the module to operate. However, a High disables the module. When one of these ASEX_T bits is 1, software reads the state of the pin, but the pin does not enable or disable the transmitter or receiver.

When ASEX_{T0} Bit 6 is 0, a High on DCD₀ forces the status bits RDRF, PE, FE, OVRN, and RxBreak to 0. When DCD₀ goes Low thereafter, the next read of the STAT register still contains a 1 in Bit 2 (DCD₀). Subsequent reads of STAT indicate current status.

When ASEX_{T0} Bit 5 is 0, a High on CTS₀ clears the TDRE bit in STAT. This action prevents software or a DMA channel from putting further Tx data into TDR. As many as three characters (one from the Tx shift register, two from the 2-stage Tx FIFO) can appear on TDA₀ after $\overline{\text{CTS}}_0$ goes High.

DMA Operation

On the Z80S183/Z80L183, data can be transferred to or from either ASCII by either DMA channel. Setup for these operations is covered in the following ASCII and DMA topics:

“Starting a Transmitter” later on this page,
“Starting a Receiver” on page 72,
“Handling ASCII Interrupts” on page 73, and
“Setting Up a DMA Transfer” on page 44.

A DMA channel used with an ASCII transmitter must be programmed to use the appropriate TDRE flag as its DMA request, and must be set up for edge-sensitive DMA request.

A DMA channel used with an ASCII receiver must be programmed to use the appropriate RDRF flag as its DMA request, and is used in either edge- or level-sensitive mode. In this application, software sets both the RIE bit in the STAT register, and Bit 7 of the Extension Control register, enabling ASCII receive interrupts in the event of errors, but not for every received character.

- **Note:** The signal that an ASCII receiver provides as a Request to a DMA channel, is not simply RDRF but rather (RDRF and not PE and not FE and not OVRN and not RxBreak). DMA operation will be suspended if any of these errors or exceptional conditions occurs. This operation is performed so that software can determine the point in the receive data stream at which the error or condition occurred.



Programming Techniques

Starting a Transmitter

Software enables a transmitter at the same time as its associated receiver, or separately, as follows:

1. Writes the CNTLB register to set the clocking and basic options.
2. Writes the Extension Control register to select the BRG mode and, on ASCI0, the mode of the $\overline{\text{CTS0}}$ pin.
3. Sets Bit 0 (TIE) in the STAT register to enable transmit interrupts, otherwise, clear it.
4. Sets Bit 5 to 1 of CNTLA to enable the transmitter.

The TDRE flag is set immediately. When transmit interrupts were enabled in step 3, an interrupt occurs immediately.

- **Note:** When a DMA channel is to provide data to the transmitter, software sets it up whenever transmit data is available, including selecting TDRE as the DMA Request. Edge-sensitivity is required on the DMA request for transmit/output devices. When TDRE is set before the DMA channel is started, device software sets up the DMA to not include the first Tx character, and then writes first character to the TDR, to initialize the ASCI-DMA handshake.

Starting a Receiver

Software enables a receiver at the same time as its associated transmitter, or separately, as follows:

1. Writes the CNTLB register to set the clocking and basic options.
2. Writes the Extension Control register to select the BRG mode and, on ASCI0, the mode of the $\overline{\text{DCD0}}$ pin. When the receiver is to be handled by a DMA channel, set Bit 7 of the Extension Control register to 1 to block the RDRF flag from requesting a receive interrupt.
3. Sets Bit 3 (RIE) in STAT to 1 if receive interrupts are desired, otherwise clear it.
4. Sets up the DMA channel if the receiver is to be handled by a DMA channel. Select the channel, including selecting RDRF as the DMA Request signal.
5. Sets the Bit 6 in CNTLA to enable the receiver.

RDRF is 1 when there is data in the Rx FIFO. When RDRF interrupts are enabled, an interrupt occurs at that time.



Polled Transmission

After starting a transmitter without interrupts enabled, while there is data to send:

1. Read the STAT register (preferably more often than once per character-time) until Bit 1 (TDRE) is 1.
2. Write the next character to be transmitted to the TDR. When there is more data to transmit, return to step 1.

Polled Reception

After starting a receiver without interrupt enabled:

1. Read the STAT register, at least once per character time, until it detects Bit 7 (RDRF).
2. Read a received character from the RDR.
3. Process process the received character, then return to step 1.

Handling ASCII Interrupts

A 1 in Bit 0 (TIE) of an ASCII's STAT register enables transmit interrupts, and a 1 in Bit 3 (RIE) enables receive interrupts. When any of following are true:

- TIE and TDRE are both 1
- RIE is 1 and any of *OV RN*, *PE*, *FE*, or *RxBreak* (ASEXT Bit 1) are 1
- RIE is 1, Bit 7 of the Extension Control register is 0, and RDRF is 1
- RIE is 1, Bit 6 in the Extension Control register is 0, and the *DCDU* pin is High for ASCII0

then an ASCII requests an interrupt from the processor. When the conditions listed in "On-Chip Interrupt Handling" on page 21 are met with respect to this request, the processor fetches the address of the interrupt service routine (ISR) from (I : IL : 14) for ASCII0, or from (I : IL : 16) for ASCII1.

An ASCII ISR that handles both kinds of interrupts must:

1. Save as many registers as it may use, by means of *PUSH*, *EX EX AF*, *AF'*, and/or *EXX* instructions.
2. Read the STAT register for this ASCII.
3. When TIE and TDRE in STAT are both 1:
 - a. If another Transmit character is available, write it to the TDR.
 - b. If not, clear the TIE bit until another Tx character is available.



4. When RIE in STAT is 1 and any of `OV RN`, `PE`, `FE`, or `RxBreak` (ASEXT Bit 1) are 1:
 - a. When Bit 7 of the Extension Control register is 1, indicating that a DMA channel is handling receive data, read the DSTAT register, clear the DE and DWE bits for that DMA channel, and write the result back to DSTAT.
 - b. Read the CNTLA register, clear Bit 3 (EFR) to 0 and write the result back to CNTLA
 - c. Read the associated character from the RDR
 - d. For `PE` or `FE` conditions, applications can discard the character, replace it with a standard error character, or treat it like other characters.
 - e. For an `OV RN` condition (without any other error), most applications process this *last good* character normally, as in step 5. An application may then post an *overrun occurred here* notification in the received-data stream.
 - f. For Break, most applications discard the all-0 character. An application may post a *Break occurred here* notification in the received-data stream. The receiver does not assemble more all-0 characters, but waits for RDA to go High before searching for a new Start bit.
5. When no errors are found in step 4, but RIE is 1, Bit 7 of the Extension Control register is 0, and RDRF is 1, read the next received character from the RDR. Process it; the simplest method is storing it at the next memory location in a buffer.
6. When ASCII0, RIE is 1, Bit 6 in the Extension Control register is 0, and Bit 2 of STAT is 1, carrier has been lost, and the ASCII receiver does nothing until the carrier returns. In this case, either clear `RIE` or set Bit 6 in the Extension Control register, to prevent further interrupts when `DCD0` is High.
7. Optionally, at this point software reads STAT again, and returns to step 3 if RIE and RDRF are both 1, or TIE and TDRE are both 1. This option saves on interrupt overhead.
8. When the ISR disabled the receive DMA channel in step 4a, it restarts the channel.
9. Finally, the ISR must restore the saved registers, and return to the interrupted process by means of `EI` and `RET` instructions.

Multiprocessor Mode

In this mode, the transmitter sends, and the receiver expects, an extra bit between the data and Stop bits, which differentiates address from data characters. Other manufacturers' devices have a similar mode called NINE-BIT mode. To enable this mode for both the transmitter and receiver, set Bit 6 of the CNTLB register as part of initializing the ASCII.



- **Note:** MULTIPROCESSOR mode cannot be used with parity generation and checking.

In MULTIPROCESSOR mode, data is grouped into frames or messages, each preceded by an address character, which differs from data characters in that its extra bit is 1.

To send a frame:

1. Wait, if necessary, for the TDRE bit (Bit 1 of the STAT register) to be 1, indicating that a new Tx character can be written to the TDR. The next two steps can be performed in an ASCII Interrupt Service Routine.
2. Read the CNTLB register, set Bits 7-6 to 11, and write the result back to CNTLB. This action sets up the transmitter to send the first character of the frame with the extra Bit 1.
3. Write the address value for the intended destination device to the TDR.
4. For each data character in the frame, again wait, if necessary, for the TDRE bit (Bit 1 of the STAT register) to be 1. The following two steps can be performed in an ASCII ISR.
5. Read CNTLB, clear Bit 7, and write the result back. These actions cause the transmitter to send the next character with the extra Bit 0.
6. Write the next data character to the TDR. When there are more characters in the frame, return to Step 4.

When Bit 6 of CNTLB is 1, to receive a frame in MULTIPROCESSOR mode:

1. Read CNTLA, set Bit 7, and write the result back to CNTLA. This process conditions the receiver to ignore data characters, that contain a 0 in the extra bit.
2. Wait for the RDRF bit in the STAT register to be 1. The following steps can be done in an ASCII ISR.
3. Read CNTLA and verify that Bit 3 is 1, specifically that the next available character is an address character. If not, read the RDR, discard the data character, and return to step 2.
4. Read the RDR and check whether the value obtained indicates a frame destined for this processor (there may be one or more unique addresses for this node, plus a *broadcast* and/or *group* address). If not, discard the character and return to step 2. The hardware ignores the data characters in the frame.
5. Optionally, store the address character in memory. (The following steps may vary depending on the address.)
6. Read CNTLA, clear Bit 7, and write the result back to CNTLA. This process conditions the receiver to assemble the following data characters.



7. For each data character in the frame, wait for the RDRF bit in the STAT register to be 1. The following steps can be processed in an ASCII interrupt service routine.
8. Read the data character from the RDR and store it in memory. (When frames are not a fixed length, software determines the frame length from its content.) When the frame is not complete, return to step 7.
9. Check the frame for checking or validation information. Most protocols specify that a receiving node ignores a frame that fails checking/validation.
10. Process the frame based on its content. This routine is application-dependent.

Clocked Serial Input/Output Module

The CSI/O allows synchronous communication with serial memories, peripherals, and other processors that include compatible interfaces. The CSI/O is a half-duplex interface that sends or receives 8-bit bytes, but not simultaneously.

The CSI/O includes separate receive and transmit data pins, *RXS* and *TXS*, plus a clock pin, *CKS*, that can be either an input or an output. In either direction, *CKS* switches only during active data characters on the *RXS* and *TXS* pins.

The bit rate for the CSI/O can be up to $\text{PHI}/20$ for an internally-generated clock, and faster with an externally-generated clock.

The CSI/O Control (CNTR) and Data (TRDR) registers are described in section "Clocked Serial I/O (CSI/O) Registers" on page 154.

Clock Selection

After Reset, Bits 2-0 of the CNTR are 111B , which conditions the *CKS* pin to be an input. When this Z80S183/Z80L183 is to provide the clock to the other station(s), write Bits 2-0 with one of the values $000\text{--}110\text{B}$ depicted in Table 16. This value determines the factor by which the CSI/O divides PHI to produce the clock it drives onto *CKS*.



Table 16. CSI/O Clock Rate Selection

CNTR 2-0	CKS Bit Rate
000	PHI/20
001	PHI/40
010	PHI/80
011	PHI/160
100	PHI/320
101	PHI/640
110	PHI/1280
111	Input from external source

► **Note:** Wait at least one bit time after the transmitter clears the TE bit, or the receiver clears the RE bit, before changing the baud rate.

Operation

The clock signal on CKS and the data signals on TXS and RXS feature the same basic relationship whether this Z80S183/Z80L183 is driving or receiving the clock on CKS, and whether it is sending on TXS or receiving on RXS.

Figure 15 illustrates this relationship, along with the state of the flags in the CNTR.

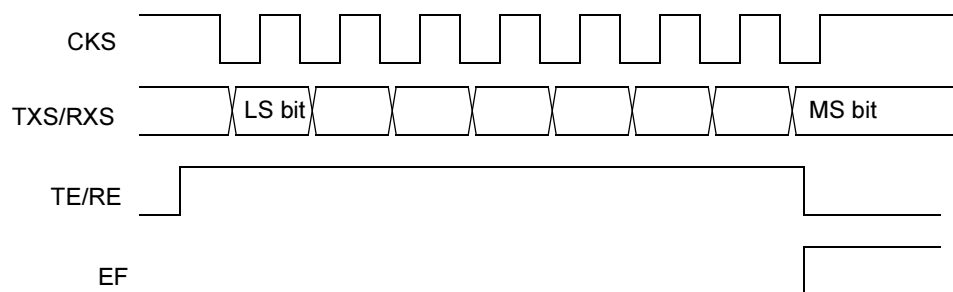


Figure 15. CSI/O Operation

CKS is High between bytes. The CSI/O operates as follows in the four possible cases of clock and data sourcing:



Output Clock, Output Data

After software writes a byte to be transmitted to the TRDR and sets the TE bit in the CNTR, the CSI/O drives CKS Low, and shortly thereafter drives Bit 0 of the byte onto TXS .

Then, it toggles CKS at the selected clock rate, driving each next-more-significant bit from each falling edge on TXS , until it has driven Bit 7 onto TXS . Then the CSI/O clears the TE bit and sets the EF bit in the CNTR. The CSI/O drives CKS High to complete the operation.

Input Clock, Output Data

Software must write the byte to be transmitted to the TRDR, and then set the TE bit in the CNTR, before the external clock source drives the CKS pin Low for the first bit of the byte.

At each falling edge of CKS , CSI/O drives a bit onto TXS , beginning with Bit 0. After driving Bit 7 onto TXS , the CSI/O clears the TE bit and sets the EF bit in the CNTR.

Output Clock, Input Data

After software sets the RE bit in the TRDR, the CSI/O drives CKS Low, and thereafter toggles CKS at the selected clock rate, for a total of eight falling and eight rising edges. At each rising edge on CKS , the CSI/O samples one bit of the byte into the TRDR, starting with Bit 0. After sampling Bit 7, the CSI/O clears the RE bit and sets the EF bit in the CNTR.

Input Clock, Input Data

Software must set the RE bit in the CNTR, before the external clock source drives CKS Low for the first bit of the byte. At each rising edge on CKS , the CSI/O samples one bit of the byte into the TRDR, starting with Bit 0. After sampling Bit 7, the CSI/O clears the RE bit and sets the EF bit in the CNTR.

Transmitting a Byte

Both the TE and RE bits in the CNTR must be 0 before another byte can be sent. At that point, software must:

1. Write the byte to be transmitted into the TRDR.
2. Write a 1 to the TE bit (Bit 4) in the CNTR, with the selected clock control value in Bits 2-0. When no interrupt is necessary when the byte has been sent, write a 0 in Bit 6 (EIE) of this register. Otherwise, write a 1 for the interrupt service routine.



Receiving a Byte

Both the TE and RE bits in the CNTR must be 0 before software can condition the CSI/O to receive another byte. At that point software must:

1. Write a 1 to the RE bit (Bit 5) in the CNTR, with the selected clock control value in Bits 2–0. For polled operation, write a 0 in Bit 6 (EIE) of this value. Otherwise, write a 1 and clear the transmit flag for the Interrupt Service Routine.
2. Read the CNTR (for polled operation) periodically or in a tight loop, until RE is 0 and EF is 1. For interrupt-driven operation, the following step is performed in the interrupt service routine, as described in the next topic.
3. Read the TRDR to acquire the byte and clear the EF flag. When the sending station is to send more data, return to step 1.

Cancelling Transmission or Reception

Software can cancel a byte transmission or reception in progress, by writing 0s to the TE and RE bits. Avoid cancellation when the Z80S183/Z80L183 is sourcing CKS, because this action may hang the remote station's hardware in mid-byte. When operating with an external clock, software may cancel byte transmission or reception after a time-out period expires, indicating that the remote station has nothing more to send, or cannot accept further data.

Handling CSI/O Interrupts

When software sets Bit 6 (EIE) in the CNTR when it starts a transmit or receive operation, the CSI/O requests an interrupt when it completes the operation and sets the EF bit. When the conditions listed in “On-Chip Interrupt Handling” on page 21 are met with respect to this request, the processor responds by fetching the address of the CSI/O interrupt service routine (ISR) from memory at address (I : IL : 12). The ISR then:

1. Saves as many registers as it may use, using `PUSH`, `EX AF`, `AF'`, or `EXX` instructions.
2. Reads the CNTR. When the EF bit is 0, the ISR may log this unknown interrupt, before restoring the registers and returning to the interrupted process using `EI` and `RET` instructions.



Note: If the Transmit flag is cleared, read the TRDR.

1. Process the byte.
 - a. When further reception is necessary, write a 1 to RE as described in step 1 of “Receiving a Byte”, previously.
 - b. When data is to be sent, write the first byte to the TRDR (this action clears the EF flag). Then set TE in the CNTR, as described in steps 1–2 of



“Transmitting a Byte”, previously. Set the Transmit flag for the next interrupt.

2. If the Transmit flag is set:
 - a. Write the next byte to the TRDR (this clears EF).
 - b. Then set TE in the CNTR, as described steps 1-2 of “Transmitting a Byte”, previously.
3. When there is data to be received, perform a dummy read of the TRDR to clear the EF flag, then write a 1 to RE as described in step 1 of “Receiving a Byte”, previously. Clear the Transmit flag.
 - a. When no further data is to be sent or received, perform a dummy read of the TRDR to clear the EF flag.
4. Restore the saved registers and return to the interrupted process using EI and RET instructions.

I/O Registers

“Processor Description” describes the processor registers and the Z80S183/Z80L183’s programming model. This section describes the registers in I/O space that control the operation of the overall device and its on-chip peripherals.

Registers Summary

I/O registers on the Z80S183/Z80L183 are divided into two classes, the 80180 registers and other on-chip registers.

The 80180 registers:

- Are located at addresses between 0000 and 003FH
- Can be relocated to 0080–00BFH or 00C0–00FFH
- Require three cycles per I/O instruction

Other on-chip registers:

- Are located at addresses between 0040 and 007FH, and
- Require four cycles per I/O instruction.

All the on-chip registers on the Z80S183/Z80L183 decode 16-bit I/O addresses and require A15-8 to be all 0. These registers must be accessed using IN0 and OUT0 instructions.

Table 17 includes all on-chip registers in both classes. I/O addresses not described are not used.



Table 17. On-Chip Registers

Register Name	Addr (hex)	Register Name	Addr (hex)
ASC10 Control Register A	00	ASC11 Control Register A	01
ASC10 Control Register B	02	ASC11 Control Register B	03
ASC10 Status Register	04	ASC11 Status Register	05
ASC10 Tx Data Register	06	ASC11 Tx Data Register	07
ASC10 Rx Data Register	08	ASC11 Rx Data Register	09
CSI/O Control Register	0A	CSI/O Data Register	0B
PRT0 Timer Data Register Low	0C	PRT0 Timer Data Register High	0D
PRT0 Timer Reload Register Low	0E	PRT0 Timer Reload Register High	0F
Timer Control Register	10		
ASC10 Extension Control Reg	12	ASC11 Extension Control Reg	13
PRT1 Timer Data Register Low	14	PRT1 Timer Data Register High	15
PRT1 Timer Reload Register Low	16	PRT1 Timer Reload Register High	17
Free Running Counter	18		
ASC10 Time Constant Low	1A	ASC10 Time Constant High	1B
ASC11 Time Constant Low	1C	ASC11 Time Constant High	1D
Clock Control Register	1E	CPU Control Register	1F
DMA0 Source Addr Register L	20	DMA0 Source Addr Register H	21
DMA0 Source Addr Register B	22	DMA0 Dest Addr Register L	23
DMA0 Dest Addr Register H	24	DMA0 Dest Addr Register B	25
DMA0 Byte Count Register L	26	DMA0 Byte Count Register H	27
DMA1 Memory Addr Register L	28	DMA1 Memory Addr Register H	29
DMA1 Memory Addr Register B	2A	DMA1 I/O Addr Register L	2B
DMA1 I/O Addr Register H	2C	DMA1 I/O Addr Register B	2D
DMA1 Byte Count Register L	2E	DMA1 Byte Count Register H	2F
DMA Status Register	30	DMA Mode Register	31
DMA/Wait Control Register	32	Interrupt Vector Low Register	33
Interrupt/Trap Control Register	34	Interrupt Edge Register	35
Refresh Control Register	36		
MMU Common Base Register	38	MMU Bank Base Register	39



Table 17. On-Chip Registers (Continued)

Register Name	Addr (hex)	Register Name	Addr (hex)
MMU Common/Bank Area Register	3A	Device ID Low	3B
Device ID High	3C	Revision ID	3D
Operating Mode Control Register	3E	I/O Control Register	3F
Port A Data Register	40	Port A Data Direction Register	41
Port A Alternate Function Register	42	Port A Output Control Register	43
Port B Data Register	44	Port B Data Direction Register	45
Port B Alternate Function Register	46	Port B Output Control Register	47
Port C Data Register	48	Port C Data Direction Register	49
Port C Alternate Function Register	4A	Port C Output Control Register	4B
Port D Data Register	4C	Port D Data Direction Register	4D
Port D Alternate Function Register	4E	Port D Output Control Register	4F
POG Control Register	60	POG Address/Type Register	61
POG Counter Low	62	POG Counter High	63
WDT Master Register	64	WDT Command Register	65
ADC Control Register 0	66	ADC Control Register 1	67
ADC Result Register	68	DAC Control Register	69
DAC Data Register	6A	WSG Control Register	6B
ROM Boundary Register	6C	RAM Lower Bound Register	6D
RAM Upper Bound Register	6E	RTC Control/Status	6F
RTC Seconds	70	RTC Minutes	71
RTC Hours	72	RTC Day of the Week	73
RTC Date	74	RTC Month	75
RTC Year	76	RTC Century	77
RTC Alarm Seconds	78	RTC Alarm Minutes	79
RTC Alarm Hours	7A	Output Control Register	7D
Power Control Register	7E	System Control Register	7F



Basic Device Registers

In these register tables, the abbreviation 'Resvd' denotes Reserved bits that must not be programmed.

Table 18. Free Running Counter (0018H)

Bit	7	6	5	4	3	2	1	0
Bit/Field	Count							
R/W	R							
Reset	1	1	1	1	1	1	1	1
R = Read W = Write X = Indeterminate								

Bit Position	Bit/Field	R/W	Value	Description
7-0	Count	R		This value is counted down by 1 every 10 PHI clocks, including during I/O STOP mode.

Table 19. Clock Control Register (001EH) CLKCR

Bit	7	6	5	4	3	2	1	0
Bit/Field	Resvd	Low Noise XTAL	Resvd					
R/W	?	R/W	?					
Reset	X	0	X	X	X	X	X	X
R = Read W = Write X = Indeterminate ? = Not Applicable								

Bit Position	Bit/Field	R/W	Value	Description
6	Low Noise XTAL	R/W	1	When this bit is 1, the oscillator operates in a Low Noise mode, in which the gain is reduced and the output drive is reduced to about 30% of normal operation. This mode can be used for PCMCIA applications, in which the crystal would otherwise be driven with too much power. This mode limits the crystal frequency to 20 MHz at $V_{DD}=4.5V$ and 10 MHz at $V_{DD}=3.0V$.



Table 20. CPU Control Register (001FH) CCR

Bit	7	6	5	4	3	2	1	0
Bit/Field	X1 XTAL	Stand-by	BREXT	LNPHI	Idle/Quick	Resvd	LNCTL	LNA/D
R/W	R/W	R/W	R/W	R/W	R/W	?	R/W	R/W
Reset	0	0	0	0	0	X	0	0
R = Read W = Write X = Indeterminate ? = Not Applicable								

Bit Position	Bit/Field	R/W	Value	Description
7	X1 XTAL	R/W	0 1	The crystal frequency is divided by 2. The crystal frequency is used directly.
6,3	Standby, Idle/Quick	R/W	00 01 10 11	SLP instruction enters Sleep or System Stop mode IOSTOP+SLP enters Idle mode IOSTOP+SLP enters Standby mode IOSTOP+SLP enters Quick Recovery Standby mode
5	BREXT	R/W	1	Z80S183/Z80L183 honors Bus Requests in Standby mode
4	LNPHI	R/W	1	PHI Low noise mode: 30% of normal drive
1	LNCTL	R/W	1	IORD and IOWR Low noise mode: 30% of normal drive
0	LNA/D	R/W	1	A19-0/D7-0 Low noise mode: 30% of normal drive



Table 21. Refresh Control Register (0036H) RCR

Bit	7	6	5	4	3	2	1	0
Bit/Field	REFE	REFW	Resvd				Cycle	
R/W	R/W	R/W	?				R/W	
Reset	1	1	X	X	X	X	0	0

Note: R = Read W = Write X = Indeterminate ? = Not Applicable

Bit Position	Bit/Field	R/W	Value	Description
7	REFE	R/W	1	The Z80S183/Z80L183 generates Refresh cycles
6	REFW	R/W	0	2-clock Refresh cycles
			1	3-clock Refresh cycles
1-0	Cycle	R/W	00	Refresh cycle every 10 PHI clocks
			01	Refresh cycle every 20 PHI clocks
			10	Refresh cycle every 40 PHI clocks
			11	Refresh cycle every 80 PHI clocks

Because the Z80S183/Z80L183 has no RFSH pin, always program this register with all 0s.

Table 22. Device ID Low (003BH)

Bit	7	6	5	4	3	2	1	0
Bit/Field	LS byte of Device ID							
R/W	R							
Reset	0	0	0	0	0	0	0	1

R = Read W = Write X = Indeterminate

Bit Position	Bit/Field	R/W	Value	Description
7-0	Device ID LS byte	R/W	01H	LSB of the Device ID value used to identify a Z80S183/Z80L183 via the ZDI interface



Table 23. Device ID High (003CH)

Bit	7	6	5	4	3	2	1	0
Bit/Field	MS byte of Device ID							
R/W								
Reset	0	0	0	0	0	0	0	±0
Note: R = Read W = Write X = Indeterminate								

Bit Position	Bit/Field	R/W	Value	Description
7-0	Device ID MS byte	R/W	00	MSB of the Device ID value used to identify a Z80S183/Z80L183 via the ZDI interface

Table 24. Revision ID (003DH)

Bit	7	6	5	4	3	2	1	0
Bit/Field	Revision ID							
R/W	R							
Reset	0	0	0	0	0	0	0	0
R = Read W = Write X = Indeterminate								

Bit Position	Bit/Field	R/W	Value	Description
7-0	Revision ID	R	00	Identifies revision AB of the Z80S183/
			01	Z80L183. Identifies revision BA.

Table 25. Revision ID (003DH)

Bit	7	6	5	4	3	2	1	0
Bit/Field	Revision ID							
R/W	R							
Reset	0	0	0	0	0	0	0	0
R = Read W = Write X = Indeterminate								

Bit Position	Bit/Field	R/W	Value	Description
7-0	Revision ID	R	00	Identifies the revision of the Z80S183/Z80L183.



Table 26. Operating Mode Control Register (003EH) OMCR

Bit	7	6	5	4	3	2	1	0
Bit/Field	M1E	M1TE	IOC	Reserved				
R/W	R/W	W	R/W	?				
Reset	1	1	1	X	X	X	X	X
R = Read W = Write X = Indeterminate ? = Not Applicable								

Bit Position	Bit/Field	R/W	Value	Description
7	M1E	R/W	0	$\overline{M1}$ is driven Low during refetch of RETI instructions and $\overline{INT0}$ acknowledge cycles (Z80 peripheral compatible).
			1	$\overline{M1}$ is driven Low in all Op Code fetches, $\overline{INT0}$ acknowledge cycles, and first cycle of \overline{NMI} acknowledge.
6	M1TE	W	0	After a 0 is written to this bit, the next Op Code fetch asserts $\overline{M1}$ Low. (Automatically returns to 1 state.)
			1	$\overline{M1E}$ governs operation of $\overline{M1}$
5	IOC	R/W	0	\overline{IORD} is driven Low from rising edge at start of T2 cycle (Z80 compatible)
			1	\overline{IORD} is driven Low from falling edge in T1 cycle (64180 compatible)
4-0	Reserved	?	0	Reserved



Table 27. I/O Control Register (003FH) IOCR

Bit	7	6	5	4	3	2	1	0
Bit/Field	IOA		IOSTP	Reserved				
R/W	R/W		R/W	?				
Reset	0	0	0	X	X	X	X	X
R = Read W = Write X = Indeterminate								

Bit Position	Bit/Field	R/W	Value	Description
7-6	IOA	R/W	00	180 registers are located at 0000-003FH Do not program this value
			01	180 registers are located at 0080-00BFH
			10	180 registers are located at 00C0-00FFH
			11	Do not program this value
5	IOSTP	R/W	0	Normal operation
			1	Clocking is blocked to the ASCIs, PRTs, and CSI/O, disabling these units.



Table 28. Output Control Register (007DH) OCR

Bit	7	6	5	4	3	2	1	0
Bit/Field	ROME	Reserved		Port B Weak Latch Disable	Port A Low Noise	Port B Low Noise	Port C Low Noise	Port D Low Noise
R/W	R/W	?		R/W	R/W	R/W	R/W	R/W
Reset	0	X	X	0	0	0	0	0
R = Read W = Write X = Indeterminate ? = Not applicable								

Bit Position	Bit/Field	R/W	Value	Description
7	ROM Emulator mode	R/W	0	Read data from internal devices does not appear on D7-0. This feature saves power.
			1	Read data from internal devices is driven onto D7-0, for monitoring by an external logic analyzer or other instrumentation.
5	Port B Weak Latch Disable	R/W	0	Weak latches on Port B are enabled, as they are on other pins with input capability. Weak latches save power by preventing floating voltage levels. Weak latches on Port B are disabled, to allow quasi-analog use of these pins.
			1	Weak latches on Port B are disabled, to allow quasi-analog use of these pins.
3-0	Port A-D Low Noise	R/W	1	Drive on the corresponding Port is reduced to 25% of its current capability. This setting saves power and reduces system noise, while slightly increasing switching times.



Table 29. Power Control Register (007EH) PCR

Bit	7	6	5	4	3	2	1	0
Bit/Field	CEOUT	Reset on ↑ of PWRUP	PWR SWCH	LPM Addr Ctrl	Resvd			
R/W	R/W	R/W	R/W	R/W	?			
Reset	0	0	0	0	X	X	X	X

R = Read W = Write X = Indeterminate ? = Not Applicable
This register can only be written if the Register Write Enable bit (WDTMR 0) is 1.

Bit Position	Bit/Field	R/W	Value	Description
7	CEOUT	R/W	0	CEOUT pin is not driven
			1	CEOUT pin is driven Low
6	Reset on ↑ of PWRUP	R/W	0	PWRUP pin cannot Reset
			1	Rising edge on PWRUP Resets the Z80S183/ Z80L183
5	PWR SWCH	R/W		Direct positive-logic output
4	LPM Address Control	R/W	0	LOW-POWER modes do not affect A19-0, RAMRD, RAMWR, ROMRD, ROMWR, IORD, IOWR, IOCS1-2, TXS
			1	These pins are 3-stated in any LOW-POWER mode



Table 30. System Configuration Register (007FH) SCR

Bit	7	6	5	4	3	2	1	0
Bit/Field	Onchip ROM Enable	Onchip RAM Enable	RAM High Enable	ROMCS Enable	RAMCS Enable	IOCS Enable	Clock Select	
R/W	R/W	R/W	R/W	R/W	R/W	R/W	R/W	
Reset	OPMOD 1	1	0	1	0	0	0	0

R = Read W = Write X = Indeterminate
This register can only be written if the Register Write Enable bit (WDTMR 0) is 1.

Bit Position	Bit/Field	R/W	Value	Description
7	On-chip ROM Enable	R/W	0	Addresses 00000–003FFH are off-chip
			1	Addresses 00000–003FFH are in on-chip ROM.
6	On-chip RAM Enable	R/W	0	On-chip RAM is not accessible to the processor
			1	On-chip RAM is accessible to the processor
5	RAM High Enable	R/W	0	On-chip RAM is at xF800–xFFFFFFH; addresses A19-16 are not decoded for on-chip RAM
			1	On-chip RAM is at FF800–FFFFFFH
4	ROMCS Enable	R/W	1	ROMCS pin is enabled/active
3	RAMCS Enable	R/W	1	RAMCS pin is enabled/active
2	IOCS Enable	R/W	1	The IOCS1 and IOCS2 pins are enabled/active
1-0	Clock Select	R/W	00	PHI taken from EXTAL
			01	PHI taken from LFEXTAL
			10	PHI = LFEXTAL times 1004
			11	PHI = LFEXTAL times 502



Interrupt Registers

See the section “Interrupts” on page 14 for more about these registers.

Table 31. Interrupt Vector Low Register (0033H) IL

Bit	7	6	5	4	3	2	1	0
Bit/Field	IL7-5			Resvd				
R/W	R/W			?				
Reset	0	0	0	X	X	X	X	X
R = Read W = Write X = Indeterminate ? = Not Applicable								

Bit Position	Bit/Field	R/W	Value	Description
7-5	IL7-5	R/W		The processor uses these bits as A7-5 (along with the contents of the I register as A15-8) when fetching an interrupt service routine address for INT1-2, ASCI0-1, PRT0-1, DMA0-1, or the CSI/O.

Table 32. Interrupt/Trap Control Register (0034H) ITC

Bit	7	6	5	4	3	2	1	0
Bit/Field	Trap	UFO	IEF1	Resvd		INT2 en	INT1 en	INT0 en
R/W	RW0C	R	R	?		R/W	R/W	R/W
Reset	0	X	0	X		0	0	1
R = Read W = Write X = Indeterminate ? = Not Applicable								

Bit Position	Bit/Field	R/W	Value	Description
7	Trap	RW0C	1	Illegal Instruction Trap. Writing a 0 to this bit clears it; writing a 1 has no effect.
6	UFO	R	0	Inst started at stacked PC-1
			1	Inst started at stacked PC-2
5	IEF1	R		Current state of interrupt enable
2	INT2 en	R/W		INT2 interrupt enable
1	INT1 en	R/W		INT1 interrupt enable
0	INT0 en	R/W		INT0 interrupt enable



Table 33. Int2-1 Interrupt Edge Register (0035H) IECR

Bit	7	6	5	4	3	2	1	0
Bit/Field	INT2	INT1	INT2 Edge	INT1 Edge	INT2 Mode Sel		INT1 Mode Sel	
R/W	R	R	RW1C	RW1C	RW		RW	
Reset	X	X	0	0	0	0	0	0
R = Read W = Write X = Indeterminate								

Bit Position	Bit/Field	R/W	Value	Description
7	INT2	R		INT2 pin state, 0 is Low
6	INT1	R		INT1 pin state, 0 is Low
5	INT2 Edge	RW1C	0 1	R: edge not detected, W: no effect R: edge detected, W: clear this bit
4	INT1 Edge	RW1C	0 1	R: edge not detected, W: no effect R: edge detected, W: clear this bit
3-2	INT2 Mode	RW	00 01 10 11	Low-Level Interrupt Rising Edge Interrupt Falling Edge Interrupt Both Edges Interrupt
1-0	INT1 Mode	RW	00 01 10 11	Low-Level Interrupt Rising Edge Interrupt Falling Edge Interrupt Both Edges Interrupt



MMU Registers

See “Memory Management Unit)” on page 10, for more about these registers.

Table 34. Common Base Register (0038H) CBR

Bit	7	6	5	4	3	2	1	0
Bit/Field	Base of Common Area 1							
R/W	R/W							
Reset	0	0	0	0	0	0	0	0
R = Read W = Write X = Indeterminate								

Bit Position	Bit/Field	R/W	Value	Description
7-0	Common 1 Area Base	R/W		When the comparison of Bits 15-12 of a logical address indicates that the address is in Common Area 1, this value (shifted left 12 bits, times 4096) is added to the logical address to form the physical address.

Table 35. Bank Base Register (0039H) BBR

Bit	7	6	5	4	3	2	1	0
Bit/Field	Base of Bank Area							
R/W	R/W							
Reset	0	0	0	0	0	0	0	0
R = Read W = Write X = Indeterminate								

Bit Position	Bit/Field	R/W	Value	Description
7-0	Bank Area Base	R/W		When the comparison of Bits 15–12 of a logical address indicates that the address is in the Bank Area, this value (shifted left 12 bits, times 4096) is added to the logical address to form the physical address.



Table 36. Common/Bank Area Register c(003AH) CBAR

Bit	7	6	5	4	3	2	1	0
Bit/Field	Bank/Common 1 Boundary				Common 0/Bank Boundary			
R/W	R/W				R/W			
Reset	1	1	1	1	0	0	0	0
R = Read W = Write X = Indeterminate								

Bit Position	Bit/Field	R/W	Value	Description
7-4	Bank/Common 1 Boundary	R/W		When Bits 15–12 of a logical address are greater than or equal to this value, the address is in Common Area 1.
3-0	Common 0/Bank Boundary	R/W		When Bits 15–12 of a logical address are less than this value, the address is in Common Area 0.

When Bits 3-0 of this reg \leq Bits 15-12 of a logical address $<$ Bits 7-4 of this reg, the address is in the Bank Area. Do not program this register so that Bits 3-0 $>$ Bits 7-4. All comparisons are unsigned.



ROM/RAM Chip Select and Wait Registers

See “Memory”, which starts on page 22, for more detail about these registers.

Table 37. Wait State Generator Control Register (006BH) WSGCR

Bit	7	6	5	4	3	2	1	0
Bit/Field	ROM Waits		RAM Waits		Other Waits		Reserved	
R/W	R/W		R/W		R/W		?	
Reset	1	1	1	1	1	1	X	X
R = Read W = Write X = Indeterminate								

Bit Position	Bit/Field	R/W	Value	Description
7-6	ROM Waits	R/W		This field determines how many wait states are inserted for memory addresses that activate $\overline{\text{ROMCS}}$:
			00	No Wait states
			01	1 Wait state
			10	2 Wait states
			11	4 Wait states
5-4	RAM Waits	R/W		This field determines how many wait states are inserted for memory addresses that activate $\overline{\text{RAMCS}}$:
			00	No Wait states
			01	1 Wait state
			10	2 Wait states
			11	4 Wait states
3-2	Other Waits	R/W		This field determines how many wait states are inserted for memory addresses that do not activate either $\overline{\text{ROMCS}}$ nor $\overline{\text{RAMCS}}$. (These cycles do not activate any control signals and thus are not visible.)
				No Wait states
			00	1 Wait state
			01	2 Wait states
			10	4 Wait states
			11	



Table 38. ROM Bound Register (006CH) ROMBR

Bit	7	6	5	4	3	2	1	0
Bit/Field	ROM Upper Bound							
R/W	R/W							
Reset	1	1	1	1	1	1	1	1
R = Read W = Write X = Indeterminate								
Bit Position	Bit/Field	R/W	Value	Description				
7-0	ROM Upper Bound	R/W		When Bit 4 of the System Configuration Register is 1, as it is after a reset, memory accesses at addresses with A19-12 less than or equal to this value, activate ROMRD or ROMWR				

TABLE 1. RAM LOWER BOUND REGISTER (006DH) RAMLBR

Bit	7	6	5	4	3	2	1	0
Bit/Field	RAM lower Bound							
R/W	R/W							
Reset	1	1	1	1	1	1	1	1
R = Read W = Write X = Indeterminate								

Bit Position	Bit/Field	R/W	Value	Description
7-0	RAM lower Bound	R/W		When Bit 3 of the System Configuration Register is 1, memory accesses at addresses with A19-12 greater than or equal to this value, less than or equal to the value in RAMUBR, and greater than the value in ROMBR, activate RAMRD or RAMWR.



Table 39. RAM Upper Boundary Register (006EH) RAMUBR

Bit	7	6	5	4	3	2	1	0
Bit/Field	RAM Upper Bound							
R/W	R/W							
Reset	1	1	1	1	1	1	1	1
R = Read W = Write X = Indeterminate								

Bit Position	Bit/Field	R/W	Value	Description
7-0	RAM lower Bound	R/W		When Bit 3 of the System Configuration Register is 1, memory accesses at addresses with A19–12 greater than or equal to this value, less than or equal to the value in RAMUBR, and greater than the value in ROMBR, activate RAMRD or RAMWR.

Table 40. RAM Upper Bound Register (006EH) RAMUBR

Bit	7	6	5	4	3	2	1	0
Bit/Field	RAM Upper Bound							
R/W	R/W							
Reset	1	1	1	1	1	1	1	1
R = Read W = Write X = Indeterminate								

Bit Position	Bit/Field	R/W	Value	Description
7-0	RAM Upper Bound	R/W		When Bit 3 of the System Configuration Register is 1, as it is after a reset, memory accesses at addresses with A19-12 less than or equal to this value, greater than or equal to the value in RAMLBR, and greater than the value in ROMBR, activate RAMRD or RAMWR.



I/O Port Registers

See “I/O Ports” on page 37, for more about these registers.

Table 41. Port A Data Register (0040H) DRA

Bit	7	6	5	4	3	2	1	0
Bit/Field	PA7	PA6	PA5	PA4	PA3	PA2	PA1	PA0
R/W	R/W	R/W	R/W	R/W	R/W	R/W	R/W	R/W
Reset	X	X	X	X	X	X	X	X

R = Read W = Write X = Indeterminate

Bit Position	Bit/Field	R/W	Value	Description
7-0	PA7-0	R/W		Writing to this register sets the data that is driven onto those pins among PA7-0, that are designated as outputs in the Data Direction and Output Control Registers. Reading from the Data Register returns the state of pins PA7-0, for both inputs and outputs. The output latches cannot be read back separately.



Table 42. Port A Data Direction Register (0041H) DDRA

Bit	7	6	5	4	3	2	1	0
Bit/Field	PA7 dir	PA6 dir	PA5 dir	PA4 dir	PA3 dir	PA2 dir	PA1 dir	PA0 dir
R/W	R/W	R/W	R/W	R/W	R/W	R/W	R/W	R/W
Reset	1	1	1	1	1	1	1	1

R = Read W = Write X = Indeterminate
This register can only be written if the Register Write Enable bit (WDTMR 0) is 1.

Bit Position	Bit/Field	R/W	Value	Description
7-0	PA7-0 dir	R/W		Together with Output Control Register A, these bits determine which pins among PA7-0 are inputs and which are outputs, and for outputs, one of three output modes. The 4 possible settings for each pin are:
			0	With 0 in the corresponding OCR bit, 0 selects totem pole output.
			0	With 1 in the corresponding OCR bit, 0 selects open drain output.
			1	With 0 in the corresponding OCR bit, 1 selects input.
			1	With 1 in the corresponding OCR bit, 1 selects open drain output with an internal pullup resistor.

Table 43. Port A Alternate Function Select Register (0042H) AFSA

Bit	7	6	5	4	3	2	1	0
Bit/Field	PA7 int	PA6 int	PA5 int	PA4 int	PA3 int	PA2 int	PA1 int	PA0 int
R/W	R/W	R/W	R/W	R/W	R/W	R/W	R/W	R/W
Reset	0	0	0	0	0	0	0	0

R = Read W = Write X = Indeterminate

Bit Position	Bit/Field	R/W	Value	Description
7-0	PA7-0 int	R/W		A 1 in one of these bits makes the corresponding pin a Low-active interrupt request line.



Table 44. Port A Output Control Register (0043H) OCRA

Bit	7	6	5	4	3	2	1	0
Bit/Field	PA7 oc	PA6 oc	PA5 oc	PA4 oc	PA3 oc	PA2 oc	PA1 oc	PA0 oc
R/W	R/W	R/W	R/W	R/W	R/W	R/W	R/W	R/W
Reset	0	0	0	0	0	0	0	0
R = Read W = Write X = Indeterminate								

Bit Position	Bit/Field	R/W	Value	Description
7-0	PA7-0 oc	R/W		Together with Data Direction Register A, these bits determine which pins among PA7-0 are inputs and which are outputs, and for outputs, one of three output modes. The four configurations for each pin are described in Table 42.

Table 45. Port B Data Register (0044H) DRB

Bit	7	6	5	4	3	2	1	0
Bit/Field	PB7	PB6	PB5	PB4	PB3	PB2	PB1	PB0
R/W	R/W	R/W	R/W	R/W	R/W	R/W	R/W	R/W
Reset	X	X	X	X	X	X	X	X
R = Read W = Write X = Indeterminate								

Bit Position	Bit/Field	R/W	Value	Description
7-0	PB7-0	R/W		Writing to this register sets the data that is driven onto those pins among PB7-0, that are designated as outputs in the Data Direction and Output Control Registers. Reading from the Data Register returns the state of pins PB7-0, for both inputs and outputs. The output latches cannot be read separately.



Table 46. Port B Data Direction Register (0045H) DDRB

Bit	7	6	5	4	3	2	1	0
Bit/Field	PB7 dir	PB6 dir	PB5 dir	PB4 dir	PB3 dir	PB2 dir	PB1 dir	PB0 dir
R/W	R/W	R/W	R/W	R/W	R/W	R/W	R/W	R/W
Reset	1	1	1	1	1	1	1	1
R = Read W = Write X = Indeterminate This register can only be written if the Register Write Enable bit (WDTMR 0) is 1.								

Bit Position	Bit/Field	R/W	Value	Description
7-0	PB7-0 dir	R/W		Together with Output Control Register B, these bits determine which pins among PB7-0 are inputs and which are outputs, and for outputs, one of three output modes. The four possible settings for each pin are: With 0 in the corresponding OCR bit, 0 selects totem pole output. With 1 in the corresponding OCR bit, 0 selects open drain output. With 0 in the corresponding OCR bit, 1 selects input. With 1 in the corresponding OCR bit, 1 selects open drain output with an internal pullup resistor.



Table 47. Port B Alternate Function Select Register (0046H) AFSB

Bit	7	6	5	4	3	2	1	0
Bit/Field	PB7 alt	PB6 alt	PB5 alt	PB4 alt	PB3 alt	PB2 alt	PB1 alt	PB0 alt
R/W	R/W	R/W	R/W	R/W	R/W	R/W	R/W	R/W
Reset	0	0	0	0	0	0	0	0

R = Read W = Write X = Indeterminate

Bit Position	Bit/Field	R/W	Value	Description
7	PB7 alt	R/W	0	The PB7/RXS pin is PB7
			1	The PB7/RXS pin is RXS
6	PB6 alt	R/W	0	The PB6/RXA1 pin is PB6
			1	The PB6/RXA1 pin is RXA1
5	PB5 alt	R/W	0	The PB5/TXA1 pin is PB5
			1	The PB5/TXA1 pin is TXA1
4	PB4 alt	R/W	0	The PB4/RXA0 pin is PB4
			1	The PB4/RXA0 pin is RXA0
3	PB3 alt	R/W	0	The PB3/TXA0 pin is PB3
			1	The PB3/TXA0 pin is TXA0
2	PB2 alt	R/W	0	The PB2/CTS0/PWRUP pin is PB2
			1	The PB2/CTS0/PWRUP pin is CTS0 or PWRUP
1	PB1 alt	R/W	0	The PB1/DCD0 pin is PB1
			1	The PB1/DCD0 pin is DCD0
0	PB0 alt	R/W	0	The PB0/CKS pin is PB0
			1	The PB0/CKS pin is CKS

A 1 in any of these bits disables control of the pin by the DDRB register, but the corresponding bit in OCRB is 0 in this case.



Table 48. Port B Output Control Register (0047H) OCB

Bit	7	6	5	4	3	2	1	0
Bit/Field	PB7 oc	PB6 oc	PB5 oc	PB4 oc	PB3 oc	PB2 oc	PB1 oc	PB0 oc
R/W	R/W	R/W	R/W	R/W	R/W	R/W	R/W	R/W
Reset	0	0	0	0	0	0	0	0

Note: R = Read W = Write X = Indeterminate

Bit Position	Bit/Field	R/W	Value	Description
7-0	PB7-0 oc	R/W		Together with Data Direction Register B, these bits determine which pins among PB7-0 are inputs and which are outputs, and for outputs, one of three output modes. The four configurations for each pin are described in Table 46.

Table 49. Port C Data Register (0048H) DRC

Bit	7	6	5	4	3	2	1	0
Bit/Field	PC7	PC6	PC5	PC4	PC3	PC2	PC1	PC0
R/W	R/W	R/W	R/W	R/W	R/W	R/W	R/W	R/W
Reset	X	X	X	X	X	X	X	X

R = Read W = Write X = Indeterminate

Bit Position	Bit/Field	R/W	Value	Description
7-0	PC7-0	R/W		Writing to this register sets the data that is driven onto those pins among PC7-0, that are designated as outputs in the Data Direction and Output Control Registers. Reading from the Data Register returns the state of pins PC7-0, for both inputs and outputs. The output latches cannot be read separately.



Table 50. Port C Data Direction Register (0049H) DDRC

Bit	7	6	5	4	3	2	1	0
Bit/Field	PC7 dir	PC6 dir	PC5 dir	PC4 dir	PC3 dir	PC2 dir	PC1 dir	PC0 dir
R/W	R/W	R/W	R/W	R/W	R/W	R/W	R/W	R/W
Reset	1	1	1	1	1	1	1	1
R = Read W = Write X = Indeterminate This register can only be written if the Register Write Enable bit (WDTMR 0) is 1.								

Bit Position	Bit/Field	R/W	Value	Description
7-0	PC7-0 dir	R/W		Together with Output Control Register C, these bits determine which pins among PC7-0 are inputs and which are outputs, and for outputs, one of three output modes. The four possible settings for each pin are: With 0 in the corresponding OCR bit, 0 0 selects totem pole output. With 1 in the corresponding OCR bit, 0 0 selects open drain output. With 0 in the corresponding OCR bit, 1 1 selects input. With 1 in the corresponding OCR bit, 1 1 selects open drain output with an internal pullup resistor.



Table 51. Port C Alternate Function Select Register r(004AH) AFSC

Bit	7	6	5	4	3	2	1	0
Bit/Field	PC7 alt	PC6 alt	PC5 alt	PC4 alt	PC3 alt	PC2 alt	PC1 alt	PC0 alt
R/W	R/W	R/W	R/W	R/W	R/W	R/W	R/W	R/W
Reset	0	0	0	0	0	0	0	0
R = Read W = Write X = Indeterminate								

Bit Position	Bit/Field	R/W	Value	Description
7-0	PC7-0 alt	R/W		Writing a 1 to any of these bits assigns the corresponding pin to the Programmable Output Generator (POG). In this mode the DDRC and OCRC registers still determine the output drive of the port, so that the POG can use any of the port output modes. To use PC0 as a 50 or 60 Hz time base for the Real Time Clock, leave AFSC Bit 0 zero, DDRC Bit 0 one, and OCRC Bit 0 zero.

Table 52. Port C Output Control Register (004BH) OCRC

Bit	7	6	5	4	3	2	1	0
Bit/Field	PC7 oc	PC6 oc	PC5 oc	PC4 oc	PC3 oc	PC2 oc	PC1 oc	PC0 oc
R/W	R/W	R/W	R/W	R/W	R/W	R/W	R/W	R/W
Reset	0	0	0	0	0	0	0	0
R = Read W = Write X = Indeterminate								

Bit Position	Bit/Field	R/W	Value	Description
7-0	PC7-0 oc	R/W		Together with Data Direction Register C, these bits determine which pins among PC7-0 are inputs and which are outputs, and for outputs, one of three output modes. The four configurations for each pin are described in Table 50.



Table 53. Port D Data Register (004CH) DRD

Bit	7	6	5	4	3	2	1	0
Bit/Field	PD7	PD6	PD5	PD4	PD3	PD2	PD1	PD0
R/W	R/W	R/W	R/W	R/W	R/W	R/W	R/W	R/W
Reset	X	X	X	X	X	X	X	X
R = Read W = Write X = Indeterminate								

Bit Position	Bit/Field	R/W	Value	Description
7-0	PD7-0	R/W		Writing to this register sets the data that is driven onto pins among PD7-0, that are designated as outputs in the Data Direction and Output Control Registers. Reading from the Data Register returns the states of pins PD7-0, for both inputs and outputs. There is no way to read back the output latches separately.



Table 54. Port D Data Direction Register (004DH) DDRD

Bit	7	6	5	4	3	2	1	0
Bit/Field	PD7 dir	PD6 dir	PD5 dir	PD4 dir	PD3 dir	PD2 dir	PD1 dir	PD0 dir
R/W	R/W	R/W	R/W	R/W	R/W	R/W	R/W	R/W
Reset	1	1	1	1	1	1	1	1

R = Read W = Write X = Indeterminate
This register can only be written if the Register Write Enable bit (WDTMR 0) is 1.

Bit Position	Bit/Field	R/W	Value	Description
7-0	PD7-0 dir	R/W		Together with Output Control Register D, these bits determine which pins between PD7-0 are inputs and which are outputs, and for outputs, one of three output modes. The four possible settings for each pin are:
			0	With 0 in the corresponding OCR bit, 0 selects totem pole output.
			0	With 1 in the corresponding OCR bit, 0 selects open drain output.
			1	With 0 in the corresponding OCR bit, 1 selects input.
			1	With 1 in the corresponding OCR bit, 1 selects open-drain output with an internal pullup resistor.

Table 55. Port D Alternate Function Select Register (004EH) AFSD

Bit	7	6	5	4	3	2	1	0
Bit/Field	PD7 int	PD6 int	PD5 int	PD4 int	PD3 int	PD2 int	PD1 int	PD0 int
R/W	R/W	R/W	R/W	R/W	R/W	R/W	R/W	R/W
Reset	0	0	0	0	0	0	0	0

R = Read W = Write X = Indeterminate

Bit Position	Bit/Field	R/W	Value	Description
7-0	PD7-0 int	R/W		A 1 in one of these bits makes the corresponding pin a Low-active interrupt request line.



Table 56. Port D Output Control Register (004FH) OCRD

Bit	7	6	5	4	3	2	1	0
Bit/Field	PD7 oc	PD6 oc	PD5 oc	PD4 oc	PD3 oc	PD2 oc	PD1 oc	PD0 oc
R/W	R/W	R/W	R/W	R/W	R/W	R/W	R/W	R/W
Reset	0	0	0	0	0	0	0	0

R = Read W = Write X = Indeterminate

Bit Position	Bit/Field	R/W	Value	Description
7-0	PD7-0 oc	R/W		Together with Data Direction Register D, these bits determine which pins among PD7-0 are inputs and which are outputs, and for outputs, one of three output modes. The four configurations for each pin are described in Table 53.

DMA Registers

See section “DMA Channels” on page 40, for more about these registers.

Table 57. DMA0 Source Address Register Low (0020H) SAR0L

Bit	7	6	5	4	3	2	1	0
Bit/Field	LS byte of DMA0 Source Address							
R/W	R/W							
Reset	X	X	X	X	X	X	X	X

Note: R = Read W = Write X = Indeterminate

Bit Position	Bit/Field	R/W	Value	Description
7-0	DMA0 Source Address LS byte	R/W		LSB of the Source Address for DMA channel 0.



Table 58. DMA0 Source Address Register Low (0020H) SAR0L

Bit	7	6	5	4	3	2	1	0
Bit/Field	LS byte of DMA0 Source Address							
R/W	R/W							
Reset	X	X	X	X	X	X	X	X
R = Read W = Write X = Indeterminate								

Bit Position	Bit/Field	R/W	Value	Description
7-0	DMA0 Source Address LS byte	R/W		LSB of the Source Address for DMA channel 0.

Table 59. DMA0 Source Address Register High (0021H) SAR0H

Bit	7	6	5	4	3	2	1	0
Bit/Field	Middle byte of DMA0 Source Address							
R/W	R/W							
Reset	X	X	X	X	X	X	X	X
R = Read W = Write X = Indeterminate								

Bit Position	Bit/Field	R/W	Value	Description
7-0	DMA0 Source Address middle byte	R/W		Bits 15-8 of the Source Address for DMA channel 0.



Table 60. DMA0 Source Address Register B (0022H) SAR0B

Bit	7	6	5	4	3	2	1	0
Bit/Field	Reserved				MS part of DMA0 Source Addr			
R/W					R/W			
Reset	X	X	X	X	X	X	X	X
R = Read W = Write X = Indeterminate								

Bit Position	Bit/Field	R/W	Value	Description								
3-0	MS part of DMA0 Source Address	R/W		When the Source Mode field in the DMODE register is 11, indicating an I/O source, these bits select which source device handshake line controls data transfer, as follows: <table border="0"> <tr> <td>X000</td> <td>DREQ0 pin</td> </tr> <tr> <td>X001</td> <td>ASC10 RDRF</td> </tr> <tr> <td>X010</td> <td>ASC11 RDRF</td> </tr> <tr> <td>other</td> <td>Reserved, do not program</td> </tr> </table> Otherwise, these bits contain A19-16 of the DMA0 Source address.	X000	DREQ0 pin	X001	ASC10 RDRF	X010	ASC11 RDRF	other	Reserved, do not program
X000	DREQ0 pin											
X001	ASC10 RDRF											
X010	ASC11 RDRF											
other	Reserved, do not program											

Table 61. DMA0 Destination Address Register Low (0023H) DAR0L

Bit	7	6	5	4	3	2	1	0
Bit/Field	LS byte of DMA0 Destination Address							
R/W	R/W							
Reset	X	X	X	X	X	X	X	X
R = Read W = Write X = Indeterminate								

Bit Position	Bit/Field	R/W	Value	Description
7-0	DMA0 Destination Address LS byte	R/W		LSB of the Destination Address for DMA channel 0.



Table 62. DMA0 Destination Address Register High (0024H) DAR0H

Bit	7	6	5	4	3	2	1	0
Bit/Field	Middle byte of DMA0 Destination Address							
R/W	R/W							
Reset	X	X	X	X	X	X	X	X
R = Read W = Write X = Indeterminate								

Bit Position	Bit/Field	R/W	Value	Description
7-0	DMA0 Destination Address middle byte	R/W		Bits 15-8 of the Destination Address for DMA channel 0.

Table 63. DMA0 Destination Address Register B (0025H) DAR0B

Bit	7	6	5	4	3	2	1	0
Bit/Field	Reserved				MS part of DMA0 Destination Address			
R/W					R/W			
Reset	X	X	X	X	X	X	X	X
R = Read W = Write X = Indeterminate								

Bit Position	Bit/Field	R/W	Value	Description
3-0	MS part of DMA0 Destination Address	R/W		When the Dest Mode field in the DMODE register is 11, indicating an I/O destination, these bits select which destination device handshake line controls data transfer, as follows: X000 $\overline{\text{DREQ0}}$ pin X001 ASCI0 TDRE X010 ASCI1 TDRE other Reserved, do not program Otherwise these bits contain A19-16 of the DMA 0 Destination address.



Table 64. DMA0 Byte Count Register Low (0026H) BCR0L

Bit	7	6	5	4	3	2	1	0
Bit/Field	LS byte of DMA0 Byte Count							
R/W	R/W							
Reset	X	X	X	X	X	X	X	X
R = Read W = Write X = Indeterminate								

Bit Position	Bit/Field	R/W	Value	Description
7-0	DMA0 Byte Count LS byte	R/W		LS byte of the Byte Count for DMA channel 0.

Table 65. DMA0 Byte Count Register High (0027H) BCR0H

Bit	7	6	5	4	3	2	1	0
Bit/Field	MS byte of DMA0 Byte Count							
R/W	R/W							
Reset	X	X	X	X	X	X	X	X
R = Read W = Write X = Indeterminate								

Bit Position	Bit/Field	R/W	Value	Description
7-0	DMA0 Byte Count MS byte	R/W		MS byte of the Byte Count for DMA channel 0.

Table 66. DMA1 Memory Address Register Low (0028H) MAR1L

Bit	7	6	5	4	3	2	1	0
Bit/Field	LS byte of DMA1 Memory Address							
R/W	R/W							
Reset	X	X	X	X	X	X	X	X
R = Read W = Write X = Indeterminate								

Bit Position	Bit/Field	R/W	Value	Description
7-0	DMA1 Memory Address LS byte	R/W		LS byte of the Memory Address for DMA channel 1.



Table 67. DMA1 Memory Address Register High (0029H) MAR1H

Bit	7	6	5	4	3	2	1	0
Bit/Field	Middle byte of DMA1 Memory Address							
R/W	R/W							
Reset	X	X	X	X	X	X	X	X
R = Read W = Write X = Indeterminate								

Bit Position	Bit/Field	R/W	Value	Description
7-0	DMA1 Memory Address middle byte	R/W		Bits 15-8 of the Memory Address for DMA channel 1.

Table 68. DMA1 Memory Address Register B (002AH) MAR1B

Bit	7	6	5	4	3	2	1	0
Bit/Field	Reserved				DMA1 Memory Address 19-16			
R/W					R/W			
Reset	X	X	X	X	X	X	X	X
R = Read W = Write X = Indeterminate								

Bit Position	Bit/Field	R/W	Value	Description
3-0	DMA1 Memory Address 19-16	R/W		Bits 19-16 of the DMA1 Memory address.



Table 69. DMA1 I/O Address Register Low (002BH) IAR1L

Bit	7	6	5	4	3	2	1	0
Bit/Field	LS byte of DMA1 I/O Address							
R/W	R/W							
Reset	X	X	X	X	X	X	X	X
R = Read W = Write X = Indeterminate								

Bit Position	Bit/Field	R/W	Value	Description
7-0	DMA1 I/O Address LS byte	R/W		LS byte of the I/O Address for DMA channel 1.

Table 70. DMA1 I/O Address Register High (002CH) IAR1H

Bit	7	6	5	4	3	2	1	0
Bit/Field	MS byte of DMA1 I/O Address							
R/W	R/W							
Reset	X	X	X	X	X	X	X	X
R = Read W = Write X = Indeterminate								

Bit Position	Bit/Field	R/W	Value	Description
7-0	DMA1 I/O Address MS byte	R/W		Bits 15-8 of the I/O Address for DMA channel 1.



Table 71. DMA1 I/O Address Register B (002DH) IAR1B

Bit	7	6	5	4	3	2	1	0
Bit/Field	AltE	AltC	Reserved			DMA1 I/O Handshake Select		
R/W	R/W	R/W	?			R/W		
Reset	X	X	X	X	X	X	X	X
R = Read W = Write X = Indeterminate								

Bit Position	Bit/Field	R/W	Value	Description
7	AltE	R/W	1	Set this bit only when both DMA channels are programmed for the same I/O source or I/O destination. In this case, a channel end condition (byte count = 0) on channel 0 sets Bit 6 (AltC), which then enables channel 1's request and blocks channel 0's. Similarly, a channel end condition on channel 1 clears Bit 6 (AltC), which then enables channel 0's request and blocks channel 1's. To use this feature with external requests, the request from the device must be routed or connected to both the DREQ0 and DREQ1 pins.
6	AltC	R/W		When Bit 7 (AltE) is 0, this bit has no effect. When Bit 7 (AltE) is 1 and this bit is 0, the Request signal selected by Bits 2-0 is not presented to channel 1, but channel 0's Request operates normally. When AltE is 1 and this bit is 1, the Request selected by SAR18-16 or DAR18-16 is not presented to channel 0, but channel 1's request operates normally. This bit can be written to select which channel operates first, but perform this operation only when both channels are stopped (both DE1 and DE0 are 0).



Bit Position	Bit/Field	R/W	Value	Description
2-0	DMA1 I/O Handshake Select	R/W		When bit DIM1 in the DCNTL register is 1, indicating an I/O source, these bits select which source handshake signal controls the transfer.
				$\overline{\text{DREQ1}}$ pin
			000	ASCI0 RDRF
			001	ASCI1 RDRF
			010	Reserved, do not program
			other	
				When DIM1 is 0, indicating an I/O destination, these bits select which destination handshake signal controls the transfer, as follows:
				$\overline{\text{DREQ1}}$ pin
				ASCI0 TDRE
			000	ASCI1 TDRE
			001	Reserved, do not program
			010	
			other	

Table 72. DMA1 Byte Count Register Low (002EH) BCR1L

Bit	7	6	5	4	3	2	1	0
Bit/Field	LS byte of DMA1 Byte Count							
R/W	R/W							
Reset	X	X	X	X	X	X	X	X
R = Read W = Write X = Indeterminate								

Bit Position	Bit/Field	R/W	Value	Description
7-0	DMA1 Byte Count LS byte	R/W		LS byte of the Byte Count for DMA channel 1.



Table 73. DMA1 Byte Count Register High (002FH) BCR1H

Bit	7	6	5	4	3	2	1	0
Bit/Field	MS byte of DMA1 Byte Count							
R/W	R/W							
Reset	X	X	X	X	X	X	X	X
R = Read W = Write X = Indeterminate								

Bit Position	Bit/Field	R/W	Value	Description
7-0	DMA1 Byte Count MS byte	R/W		MS byte of the Byte Count for DMA channel 1.

Table 74. DMA Status Register (0030H) DSTAT

Bit	7	6	5	4	3	2	1	0
Bit/Field	DE1	DE0	DWE1	DWE0	DIE1	DIE0	Reserved	DME
R/W	R/W	R/W	W	W	R/W	R/W	?	R/W
Reset	0	0	X	X	0	0	X	0
R = Read W = Write X = Indeterminate								

Bit Position	Bit/Field	R/W	Value	Description
7	DE1	R/W		DMA channel 1 enable. This bit can only be written when DWE1 is 0 in a write operation. DMA channel 1 clears this bit when it counts its byte count down to 0.
6	DE0	R/W		DMA channel 0 enable. This bit can only be written when DWE0 is 0 in a write operation. DMA channel 0 clears this bit when it counts its byte count down to 0.
5-4	DWE1-0	W	0	Writing a 0 to one of these bits makes the Z80S183/Z80L183 capture the value of the corresponding DE bit.
			1	Writing a 1 to one of these bits does not affect the state of the corresponding DMA channel. These bits always read as 11.



Bit Position	Bit/Field	R/W	Value	Description
3-2	DIE1-0	R/W		Interrupt enable for DMA channels 1-0. When one of these bits is 1, that DMA channel interrupts when it decrements its byte count to 0.
0	DME	R	0	Operations of both DMA channels are disabled. Reset and a nonmaskable interrupt both clear this bit.
			1	Operation of a DMA channel that has its DE Bit 1 is enabled. This bit is set when a 1 is written to a DE bit, and a 0 is written to the corresponding DWE bit in the same write operation.

Table 75. DMA Mode Register (0031H) DMODE

Bit	7	6	5	4	3	2	1	0
Bit/Field	Reserved		DMA0 Dest Mode		DMA0 Source Mode		MMOD	Resvd
R/W	?		R/W		R/W		R/W	?
Reset	X	X	0	0	0	0	0	X
R = Read W = Write X = Indeterminate ? = Not Applicable								
Bit Position	Bit/Field	R/W	Value	Description				
5-4	DMA0 Dest Mode	R/W		This field controls operation of the destination side of DMA channel 0:				
			00	Memory write, address increment				
			01	Memory write, address decrement				
			10	Memory (or memory mapped I/O) write, fixed address				
			11	I/O write, fixed address				



Table 76. DMA Mode Register (0031H) DMODE

Bit	7	6	5	4	3	2	1	0
Bit/Field	Reserved		DMA0 Dest Mode		DMA0 Source Mode		MMOD	Reserved
R/W			R/W		R/W		R/W	
Reset	X	X	0	0	0	0	0	X
R = Read W = Write X = Indeterminate								
Bit Position	Bit/Field	R/W	Value	Description				
5-4	DMA0 Dest Mode	R/W	00 01 10 11	This field controls operation of the destination side of DMA channel 0: Memory write, address increment Memory write, address decrement Memory (or memory mapped I/O) write, fixed address I/O write, fixed address				
3-2	DMA0 Source Mode	R/W	00 01 10 11	This field controls operation of the source side of DMA channel 0: Memory read, address increment Memory read, address decrement Memory (or memory mapped I/O) read, fixed address I/O read, fixed address				
1	MMOD	R/W	0 1	When the Source and Dest Mode fields above are both 0x, indicating memory to memory operation, no device request (that is, $\overline{DREQ0}$) controls data transfer on DMA channel 0. In this case, this bit selects between two modes: 0 Cycle Steal mode: the DMA(s) and processor alternate bus cycles. 1 Burst mode: DMA0 uses the bus continuously to complete the block transfer.				



Table 77. DMA/Wait Control Register (0032H) DCNTL

Bit	7	6	5	4	3	2	1	0
Bit/Field	Memory Waits		I/O Waits		Request Sense 1-0		DMA1 Mode	
R/W	R/W		R/W		R/W		R/W	
Reset	1	1	1	1	0	0	0	0
R = Read W = Write X = Indeterminate								

Bit Position	Bit/Field	R/W	Value	Description
7-6	Memory Waits	R/W		This field controls how many wait states are injected into DMA and processor memory cycles:
			00	None
			01	1
			10	2
			11	3
5-4	I/O Waits	R/W		This field controls how many wait states are injected into DMA and processor I/O cycles:
			00	None
			01	1
			10	2
			11	3
3-2	Request Sense 1-0	R/W		Each of these bits controls how the corresponding DMA channel samples its Request signal (except when DMA 0's Source and Dest Mode fields are both 0x)
			0	Level sense: the DMA samples its Request again during the second cycle for each byte
			1	Edge sense: another falling edge is needed on the Request line before the DMA channel transfers another byte
				See section, which starts on page 42, for timing of both cases.
1-0	DMA1 Mode	R/W		This field controls the direction of both transfer and address stepping on DMA channel 1:
			00	Incrementing Memory addrs to I/O
			01	Decrementing Memory addrs to I/O
			10	I/O to incrementing Memory addrs
			11	I/O to decrementing Memory addrs



Watch-Dog Timer Registers

See “Watch-Dog Timer” on page 48, for more about these registers.

Table 78. Watch-Dog Timer Master Register (0064H) WDTMR

Bit	7	6	5	4	3	2	1	0
Bit/Field	Enable	Period Select		Drive Reset	Power On Reset	WDT Reset	State Change Enable	Reg Write Enable
R/W	R	R/W		R/W	RC	RC	R/W	R
Reset	1	1	1	POR=1	POR=1	WDT	1	1
R = Read W = Write X = Indeterminate								

Bit Position	Bit/Field	R/W	Value	Description
7	WDT Enabled	R		When this read-only bit is 1 the Watch-Dog Timer is enabled.
6-5	Period Select	R/W	00 2^{18} (262,144) PHI clocks 01 2^{22} (4,194,304) PHI clocks 10 2^{25} (33,554,432) PHI clocks 11 2^{27} (134,217,728) PHI clocks	The field selects how long software can leave the Watch-Dog Timer unattended, before it resets the part:
4	Drive Reset	R/W		When this bit is 1, as it is after a Power On Reset, expiration of the WDT drives the Reset pin Low, to reset external devices. WDT expiration resets the Z80S183/Z80L183 regardless of this bit.
3	Power On Reset	RC		A Power On Reset sets this bit. (This includes a POR sequence caused by a rising edge on the OPMOD1 or PWRUP pin.) Reading this register clears this bit.
2	WDT Reset	RC		WDT expiration sets this bit. Reading this register clears it.
1	State Change Enabled	R/W		When this bit is 1, writing 40H to the WDT Command register disables the WDT, and writing B0H to it enables the WDT. Such changes only become effective after this bit is cleared.



Bit Position	Bit/Field	R/W	Value	Description
0	Register Write Enable	R		When this read-only bit is 1, as it is after a reset, the System Configuration Register, port Data Direction Registers, the Power Control Register, and all of the Real Time Clock registers can be written. When this bit is 0, these registers are read-only.

Table 79. Watch-Dog Timer Master Register (0064H) WDTMR

Bit	7	6	5	4	3	2	1	0
Bit/Field	Enable	Period Select		Drive Reset	Power On Reset	WDT Reset	State Change Enable	Reg Write Enable
R/W	R	R/W		R/W	RC	RC	R/W	R
Reset	1	1	1	POR=1	POR=1	WDT	1	1

R = Read W = Write X = Indeterminate

Bit Position	Bit/Field	R/W	Pin Value	Description
7	WDT Enabled	R		When this read-only bit is 1 the Watch- Dog Timer is enabled.
6-5	Period Select	R/W		This field selects how long software can leave the Watch-Dog Timer unattended, before it resets the part: 00 2 ¹⁸ (262,144) PHI clocks 01 2 ²² (4,194,304) PHI clocks 10 2 ²⁵ (33,554,432) PHI clocks 11 2 ²⁷ (134,217,728) PHI clocks
4	Drive Reset	R/W		When this bit is 1, as it is after a Power On Reset, expiration of the WDT drives the <u>RESET</u> pin Low, to reset external devices. WDT expiration resets the Z80S183/ Z80L183 regardless of this bit.
3	Power On Reset	RC		A Power On Reset sets this bit. (This includes a POR sequence caused by a rising edge on the OPMOD1 or PWRUP pin.) Reading this register clears this bit.
2	WDT Reset	RC		WDT expiration sets this bit. Reading this register clears it.



Bit Position	Bit/Field	R/W	Pin Value	Description
1	State Change Enabled	R/W		When this bit is 1, writing 40H to the WDT Command register disables the WDT, and writing 0B0H to it enables the WDT.
0	Register Write Enable	R		When this read-only bit is 1, as it is after a reset, the System Configuration Register, port Data Direction Registers, the Power Control Register, and all of the Real Time Clock registers can be written. When this bit is 0, these registers are read-only.

Table 80. Watch-Dog Timer Command Register (0065H) WDTCR

Bit	7	6	5	4	3	2	1	0
Bit/Field	WDT Command							
R/W	W							
Reset	n/a	n/a	n/a	n/a	n/a	n/a	n/a	n/a
Note: R = Read W = Write X = Indeterminate								

Bit Position	Bit/Field	R/W	Value	Description
7-0	WDT Command	W		Software can write the following values to this register, to affect the status of the WDT and Z80S183/Z80L183: 0BH Set Register Write Enable (WDTMR Bit 0) Disables WDT if WDTMR Bit 1 is 1 40H Reloads/Restarts WDT 4EH Enables WDT if WDTMR Bit 1 is 1 B0H Writing any value other than 0BH to this register clears the Register Write Enable bit.



Programmable Reload Timer (PRT) Registers

See “Programmable Reload Timers” on page 48, for more about these registers.

Table 81. PRT0 Timer Data Register Low (000CH) TMDR0L

Bit	7	6	5	4	3	2	1	0
Bit/Field	LS Byte of PRT0 Counter							
R/W	R/W							
Reset	1	1	1	1	1	1	1	1
R = Read W = Write X = Indeterminate								

Bit Position	Bit/Field	R/W	Value	Description
7-0	LS byte of PRT0 Counter	R/W		The LS 8 bits of the PRT0 down-counter.

Table 82. PRT0 Timer Data Register High (000DH) TMDR0H

Bit	7	6	5	4	3	2	1	0
Bit/Field	MS Byte of PRT0 Counter							
R/W	R/W							
Reset	1	1	1	1	1	1	1	1
R = Read W = Write X = Indeterminate								

Bit Position	Bit/Field	R/W	Value	Description
7-0	MS byte of PRT0 Counter	R/W		The MS 8 bits of the PRT0 down-counter.



Table 83. PRT0 Reload Register Low (000EH) RLDR0L

Bit	7	6	5	4	3	2	1	0
Bit/Field	LS Byte of PRT0 Reload Value							
R/W	R/W							
Reset	1	1	1	1	1	1	1	1
R = Read W = Write X = Indeterminate								

Bit Position	Bit/Field	R/W	Value	Description
7-0	LS byte of PRT0 Reload Value	R/W		The LS 8 bits of the value that is loaded into the PRT0 down-counter, when it is decremented to 0.

Table 84. PRT0 Timer Data Register Low (000CH) TMDR0L

Bit	7	6	5	4	3	2	1	0
Bit/Field	LS Byte of PRT0 Counter							
R/W	R/W							
Reset	1	1	1	1	1	1	1	1
R = Read W = Write X = Indeterminate								

Bit Position	Bit/Field	R/W	Value	Description
7-0	LS byte of PRT0 Counter	R/W		The LS 8 bits of the PRT0 down-counter.

Table 85. PRT0 Timer Data Register High (000DH) TMDR0H

Bit	7	6	5	4	3	2	1	0
Bit/Field	MS Byte of PRT0 Counter							
R/W	R/W							
Reset	1	1	1	1	1	1	1	1
R = Read W = Write X = Indeterminate								

Bit Position	Bit/Field	R/W	Value	Description
7-0	MS byte of PRT0 Counter	R/W		The MS 8 bits of the PRT0 down-counter.



Table 86. PRT0 Reload Register Low (000EH) RLDR0L

Bit	7	6	5	4	3	2	1	0
Bit/Field	LS Byte of PRT0 Reload Value							
R/W	R/W							
Reset	1	1	1	1	1	1	1	1
R = Read W = Write X = Indeterminate								

Bit Position	Bit/Field	R/W	Value	Description
7-0	LS byte of PRT0 Reload Value	R/W		The LS 8 bits of the value that is loaded into the PRT0 down-counter, when it is decremented to 0.

Table 87. PRT0 Reload Register High (000FH) RLDR0H

Bit	7	6	5	4	3	2	1	0
Bit/Field	MS Byte of PRT0 Reload Value							
R/W	R/W							
Reset	1	1	1	1	1	1	1	1
R = Read W = Write X = Indeterminate								

Bit Position	Bit/Field	R/W	Value	Description
7-0	MS byte of PRT0 Reload Value	R/W		The MS 8 bits of the value that is loaded into PRT0's down-counter, when it is decremented to 0.



Table 88. Timer Control Register (0010H) TCR

Bit	7	6	5	4	3	2	1	0
Bit/Field	TIF1	TIF0	TIE1	TIE0	Resvd		TDE1	TDE0
R/W	R	R	R/W	R/W	?		R/W	R/W
Reset	0	0	0	0	X	X	0	0

R = Read W = Write X = Indeterminate ? = Not Applicable

Bit Position	Bit/Field	R/W	Value	Description
7-6	TIF1,0	R		One of these status bits is set when a PRT decrements its down-counter to 0. It is cleared when software has read this register and either byte of the TMDR.
5-4	TIE1,0	R/W		When one of these bits is 1, the corresponding PRT requests an interrupt when its down-counter has counted down to 0 and it has set the TIF bit.
1-0	TDE1,0	R/W	0 1	The corresponding PRT is stopped. The corresponding PRT is running.

Table 89. PRT1 Timer Data Register Low (0014H) TMDR1L

Bit	7	6	5	4	3	2	1	0
Bit/Field	LS Byte of PRT1 Counter							
R/W	R/W							
Reset	1	1	1	1	1	1	1	1

R = Read W = Write X = Indeterminate

Bit Position	Bit/Field	R/W	Value	Description
7-0	LS byte of PRT1 Counter	R/W		The LS 8 bits of PRT1's down-counter.



Table 90. PRT1 Timer Data Register High (0015H) TMDR1H

Bit	7	6	5	4	3	2	1	0
Bit/Field	MS Byte of PRT1 Counter							
R/W	R/W							
Reset	1	1	1	1	1	1	1	1
R = Read W = Write X = Indeterminate								

Bit Position	Bit/Field	R/W	Value	Description
7-0	MS byte of PRT1 Counter	R/W		The MS 8 bits of PRT1's down-counter.

Table 91. PRT1_Reload Register Low (0016H) RLDR1L

Bit	7	6	5	4	3	2	1	0
Bit/Field	LS Byte of PRT1 Reload Value							
R/W	R/W							
Reset	1	1	1	1	1	1	1	1
R = Read W = Write X = Indeterminate								

Bit Position	Bit/Field	R/W	Value	Description
7-0	LS byte of PRT1_Reload Value	R/W		The LS 8 bits of the value that is loaded into PRT1's down-counter, when it is decremented to 0.



Table 92. PRT1 Reload Register High (0017H) RLDR1H

Bit	7	6	5	4	3	2	1	0
Bit/Field	MS Byte of PRT1 Reload Value							
R/W	R/W							
Reset	1	1	1	1	1	1	1	1
R = Read W = Write X = Indeterminate								

Bit Position	Bit/Field	R/W	Value	Description
7-0	MS byte of PRT1 Reload Value	R/W		The MS 8 bits of the value that is loaded into PRT1's down-counter, when it is decremented to 0.



Real Time Clock (RTC) Registers

See the section titled “Real Time Clock” on page 51, for more about these registers.

Table 93. RTC Control/Status Register (006FH) RTCCS

Bit	7	6	5	4	3	2	1	0
Bit/Field	Alarm	IE	Resvd	Clock Select		Resvd		
R/W	R/W	R/W	?	R/W		?		
Reset	0	0	X	0	0	X	X	X

R = Read W = Write X = Indeterminate ? = Not Applicable
This register can only be written if the Register Write Enable bit (WDTMR 0) is 1.

Bit Position	Bit/Field	R/W	Value	Description
7	Alarm	R/W		The RTC sets this bit when the hours, minutes, and seconds registers equal the programmed alarm value. Software can set this bit to 0, but either: – wait a second before doing so or – change the Alarm value before doing so, to prevent the continuing match from resetting Alarm.
6	IE	R/W		When this bit is 1, the RTC requests an interrupt when the Alarm bit is 1. When the service routine for this interrupt clears Alarm by method a) above, it clears this bit during the <i>match second</i> to avoid further interrupts.
4-3	Clock Select	R/W	0x	The RTC takes its clock from the LFXTAL and LFEXTAL pins that must be connected to a 32.768 KHz crystal.
			10	The RTC takes its clock from the PC0 pin that must be programmed as an input and connected to a 60 Hz line frequency.
			11	The RTC takes its clock from the PC0 pin that must be programmed as an input and connected to a 50 Hz line frequency.



Table 94. RTC Seconds Register (0070H) RTCSEC

Bit	7	6	5	4	3	2	1	0
Bit/Field	0	Seconds						
R/W	R	R/W						
Reset	0	NC	NC	NC	NC	NC	NC	NC
R = Read W = Write X = Indeterminate This register can only be written if the Register Write Enable bit (WDTMR 0) is 1.								

Bit Position	Bit/Field	R/W	Value	Description
6-0	Seconds	R/W		Incremented by the RTC once per second. BCD 59H is followed by 0.

Table 95. RTC Minutes Register (0071H) RTCMIN

Bit	7	6	5	4	3	2	1	0
Bit/Field	0	Minutes						
R/W	R	R/W						
Reset	0	NC	NC	NC	NC	NC	NC	NC
R = Read W = Write X = Indeterminate This register can only be written if the Register Write Enable bit (WDTMR 0) is 1.								

Bit Position	Bit/Field	R/W	Value	Description
6-0	Minutes	R/W		Incremented by the RTC when the Seconds register increments from 59H to 0. This BCD register also increments from 59H to 0.



Table 96. RTC Hours Register (0072H) RTCHR

Bit	7	6	5	4	3	2	1	0
Bit/Field	0	0	Hours					
R/W	R	R	R/W					
Reset	NC	NC	NC	NC	NC	NC	NC	NC
R = Read W = Write X = Indeterminate This register can only be written if the Register Write Enable bit (WDTMR 0) is 1.								

Bit Position	Bit/Field	R/W	Value	Description
5-0	Hours	R/W		Incremented by the RTC when the Minutes register increments from 59H to 0. This BCD register increments from 23H to 0.

Table 97. RTC Day of the Week Register (0073H) RTCDAY

Bit	7	6	5	4	3	2	1	0
Bit/Field	0	0	0	0	0	Day		
R/W	R	R	R	R	R	R/W		
Reset	0	0	0	0	0	NC	NC	NC
R = Read W = Write X = Indeterminate This register can only be written if the Register Write Enable bit (WDTMR 0) is 1.								

Bit Position	Bit/Field	R/W	Value	Description
2-0	Day	R/W		Incremented by the RTC when the Hours register increments from 23H to 0. This register increments from 7 to 1.



Table 98. RTC Date Register (0074H) RTCDAT

Bit	7	6	5	4	3	2	1	0
Bit/Field	0	0	Date					
R/W	R	R	R/W					
Reset	0	0	NC	NC	NC	NC	NC	NC

R = Read W = Write X = Indeterminate
This register can only be written if the Register Write Enable bit (WDTMR 0) is 1.

Bit Position	Bit/Field	R/W	Value	Description
5-0	Date	R/W		Incremented by the RTC when the Hours register increments from 23H to 0. This BCD register increments from 28H, 30H, or 31H to 1, depending on the month and (for February) the year and century.

Table 99. RTC Month Register (0075H) RTCMO

Bit	7	6	5	4	3	2	1	0
Bit/Field	0	0	0	Month				
R/W	R	R	R	R/W				
Reset	0	0	0	NC	NC	NC	NC	NC

R = Read W = Write X = Indeterminate
This register can only be written if the Register Write Enable bit (WDTMR 0) is 1.

Bit Position	Bit/Field	R/W	Value	Description
4-0	Month	R/W		Incremented by the RTC when the Date register increments to 1. This BCD register increments from 12H to 1.



Table 100.RTC Year Register (0076H) RTCYR

Bit	7	6	5	4	3	2	1	0
Bit/Field	Year							
R/W	R/W							
Reset	NC	NC	NC	NC	NC	NC	NC	NC
Note: R = Read W = Write X = Indeterminate This register can only be written if the Register Write Enable bit (WDTMR 0) is 1.								

Bit Position	Bit/Field	R/W	Value	Description
7-0	Year	R/W		Incremented by the RTC when the Month register increments from 12H to 1. This BCD register increments from 99H to 0.

Table 101.RTC Century Register (0077H) RTCC

Bit	7	6	5	4	3	2	1	0
Bit/Field	0	0	Century					
R/W	R	R	R/W					
Reset	0	0	NC	NC	NC	NC	NC	NC
R = Read W = Write X = Indeterminate This register can only be written if the Register Write Enable bit (WDTMR 0) is 1.								

Bit Position	Bit/Field	R/W	Value	Description
5-0	Century	R/W		Incremented by the RTC in a BCD fashion, when the Years register increments from 99H to 0.



Table 102.RTC Alarm Seconds Register (0078H) ALARMS

Bit	7	6	5	4	3	2	1	0
Bit/Field	0	Alarm Seconds						
R/W	R	R/W						
Reset	0	NC	NC	NC	NC	NC	NC	NC
R = Read W = Write X = Indeterminate This register can only be written if the Register Write Enable bit (WDTMR 0) is 1.								

Bit Position	Bit/Field	R/W	Value	Description
6-0	Alarm Seconds	R/W		The seconds component of the Alarm time (BCD).

Table 103.RTC Alarm Minutes Register (0079H) ALARMM

Bit	7	6	5	4	3	2	1	0
Bit/Field	0	Minutes						
R/W	R	R/W						
Reset	0	NC	NC	NC	NC	NC	NC	NC
R = Read W = Write X = Indeterminate This register can only be written if the Register Write Enable bit (WDTMR 0) is 1.								

Bit Position	Bit/Field	R/W	Value	Description
6-0	Year	R/W		Incremented by the RTC when the Month register increments from 12 to 1. This register increments from 99 to 0.



Table 104. RTC Alarm Hours Register (007AH) ALARMH

Bit	7	6	5	4	3	2	1	0
Bit/Field	0	0	Alarm Hours					
R/W	R	R	R/W					
Reset	0	0	NC	NC	NC	NC	NC	NC
R = Read W = Write X = Indeterminate This register can only be written if the Register Write Enable bit (WDTMR 0) is 1.								

Bit Position	Bit/Field	R/W	Value	Description
4-0	Alarm Hours	R/W		The hours component of the Alarm time (BCD).

Digital-to-Analog Converter (DAC) Registers

See “Digital/Analog Converter)” on page 54, for more about these registers.

Table 105. DAC Control Register (0069H) DACCR

Bit	7	6	5	4	3	2	1	0
Bit/Field	Data 1-0		Ref Select		Resvd	Output Enable	Resvd	
R/W	R/W		R/W		?	R/W	?	
Reset	X	X	X	X	X	0	X	X
R = Read W = Write X = Indeterminate ? = Not Applicable								

Bit Position	Bit/Field	R/W	Value	Description
7-6	Data 1-0	R/W		This field contains the 2 LS bytes of the 10-bit digital value that the DAC converts to analog.
5-4	Reference Voltage Select	R/W	0X 10 11	DAC reference voltage is PA0 pin Internal 4.2V Internal 2.6V
2	Output Enable	R/W		A 1 in this bit enables the DAC to drive its analog result voltage onto the AOUT pin.



Table 106.DAC Data Register (006AH) DACDR

Bit	7	6	5	4	3	2	1	0
Bit/Field	Data 9-2							
R/W	R/W							
Reset	X	X	X	X	X	X	X	X
R = Read W = Write X = Indeterminate								

Bit Position	Bit/Field	R/W	Value	Description
7-0	Data 9-2	R		Writing to this register sets Bits 9-2 of the digital value the DAC is to convert. With Bits 7-6 of the DACCR, this value is a 10-bit binary fraction of the selected reference voltage. For example, 1000000000B means that the DAC outputs half of the reference voltage. The DAC continuously converts this value, so rewriting this register produces the corresponding voltage on AOUT within the specified conversion time.

Analog to Digital Converter (ADC) Registers

See section “Analog/Digital Converter)” on page 55, for more about these registers.

Table 107.ADC Control Register 0 (0066H) ADCC0

Bit	7	6	5	4	3	2	1	0
Bit/Field	Resvd					Enable	Ref Select	
R/W	?					R/W	R/W	
Reset	X	X	X	X	X	0	0	0
R = Read W = Write X = Indeterminate ? = Not Applicable								

Bit Position	Bit/Field	R/W	Value	Description
2	Enable	R/W		This bit enables the ADC and must be set prior to starting an ADC conversion. When this bit is 0, the ADC powers down.
1-0	Reference Voltage Select	R/W	0x 10 11	ADC Reference voltage is PA0 pin Internal Reference 4.2 V Internal Reference 2.6 V



Table 108. ADC Control Register 1 (0067H) ADCC1

Bit	7	6	5	4	3	2	1	0
Bit/Field	Result 1-0		IE	CC	Start	Channel Select		
R/W	R		R/W	R	W	R/W		
Reset	X	X	0	0	0	0	0	0
R = Read W = Write X = Indeterminate								

Bit Position	Bit/Field	R/W	Value	Description
7-6	Result 1-0	R		When a conversion is completed, these bits hold the LS bits of the digital value
5	IE	R/W		When this bit is 1 when the ADC completes a conversion, an interrupt is requested.
4	Conversion Complete (CC)	R		The ADC sets this bit when it completes a conversion. This bit is cleared when software writes a 1 to the Start bit, to begin a new conversion.
3	Start	W		Writing a 1 to this bit causes the ADC to start a new conversion. When the ADC had a conversion in progress, it is aborted.
2-0	Channel Select	R/W		These bits select which pin is sampled for a conversion.
			000	Pin PD0
			001	Pin PD1
			010	Pin PD2
			011	Pin PD3
			100	Pin PD4
			101	Pin PD5
			110	Pin PD6
			111	Pin PD7



Table 109. ADC Result Register (0068H) ADCRR

Bit	7	6	5	4	3	2	1	0
Bit/Field	Result 9-2							
R/W	R							
Reset	X	X	X	X	X	X	X	X
R = Read W = Write X = Indeterminate								

Bit Position	Bit/Field	R/W	Value	Description
7-0	Result 9-2	R		After the ADC has completed a conversion, this register contains Bits 9-2 of the result digital value. With Bits 7-6 of the ADCC1, this value is a 10-bit binary fraction of the selected reference voltage. For example, 1000000000B means that the voltage on the selected pin was half of the reference voltage.



Programmable Output Generator (POG) Registers

See section “Programmable Output Generator” on page 58, for more about these registers.

Table 110. POG Control Register (0060H) POGCR

Bit	7	6	5	4	3	2	1	0
Bit/Field	Enable	IE	IP	Resvd			Clock Select	
R/W	R/W	R/W	R/W	?			R/W	
Reset	0	0	0	X	X	X	0	0

R = Read W = Write X = Indeterminate ? = Not Applicable

Bit Position	Bit/Field	R/W	Value	Description
7	Enable	R/W		A 1 in this bit enables the POG.
6	IE	R/W		A 1 in this bit allows the POG to request an interrupt when it encounters an entry in its RAM, directing it to do so.
5	IP	R/W		The POG sets this bit when it encounters an “interrupt” entry in its RAM. Interrupt service routines write a 0 to this bit to clear the POG interrupt request.
1-0	Clock Select	R/W		This field determines the POG clock frequency
			00	PHI
			01	PHI/256
			10	PHI/1024
			11	PHI/4096



Table 111.POG Address/Type Register (0061H) POGAT

Bit	7	6	5	4	3	2	1	0
Bit/Field	Next Address						Entry Type	
R/W	R						R	
Reset	X	X	X	X	X	X	X	X
R = Read W = Write X = Indeterminate								

Bit Position	Bit/Field	R/W	Value	Description
7-2	Next Address	R		Software can read the Next Address value from the RAM entry most recently fetched by the POG, in this field.
1-0	Entry Type	R		Software can read the Entry Type value from the RAM entry most recently fetched by the POG, in this field.

Table 112.POG Counter Low (0062H) POGCL

Bit	7	6	5	4	3	2	1	0
Bit/Field	LS Byte of POG Counter							
R/W	R							
Reset	X	X	X	X	X	X	X	X
R = Read W = Write X = Indeterminate								

Bit Position	Bit/Field	R/W	Value	Description
7-0	Counter LS byte	R		Software can read the LS 8 bytes of the current POG Counter value from this register.



Table 113. POG Counter High (0063H) POGCH

Bit	7	6	5	4	3	2	1	0
Bit/Field	MS Byte of POG Counter							
R/W	R							
Reset	X	X	X	X	X	X	X	X
R = Read W = Write X = Indeterminate								

Bit Position	Bit/Field	R/W	Value	Description
7-0	Counter MS byte	R		Software can read the MS 8 bytes of the POG Counter value, at the time that POGCL was last read, from this register.



Async Serial Communications Interface (ASCI) Registers

See section “Clocked Serial Input/Output Module” on page 76, for more detail about these registers.

Table 114.ASCI0 Control Register A (0000H) CNTLA0

Bit	7	6	5	4	3	2	1	0
Bit/Field	MPE	RE	TE	Reserved	MPBR/ EFR	MOD2	MOD1	MOD0
R/W	R/W	R/W	R/W	R/W	R/W	R/W	R/W	R/W
Reset	0	0	0	1	X	0	0	0
R = Read W = Write X = Indeterminate								

Bit Position	Bit/Field	R/W	Value	Description
7	Multi-processor Mode Enable	R/W		When this bit and the MP bit in CNTLB are both 1, only received characters having a 1 in an additional bit between the last data bit and the Stop bit are placed in the Rx FIFO. When either the MP bit or this bit is 0, all received characters are placed in the Rx FIFO.
6	Receive Enable	R/W		A 1 in this bit enables the receiver. Writing a 0 stops reception.
5	Transmit Enable	R/W		A 1 in this bit enables the transmitter. Writing a 0 stops transmission.
4	Reserved	R/W		On other 180 devices this bit controlled the RTS0 output.
3	MP Bit Rcv/ Error Flag Reset	R/W		Reading this bit returns the value of the multiprocessor (MP) bit. Read this register before reading the RDR. Writing a 0 to this bit clears the OVRN, FE, PE, and Break Detect bits. Writing a 1 has no effect.
2	MOD2	R/W	0 1	7 bit data (Tx and Rx) 8 bit data
1	MOD1	R/W	0 1	No parity (Tx and Rx) Parity generated (Tx), checked (Rx)
0	MOD0	R/W	0 1	1 Stop bit transmitted 2 Stop bits transmitted



Table 115.ASCI1 Control Register A (0001H) CNTLA1

Bit	7	6	5	4	3	2	1	0
Bit/Field	MPE	RE	TE	Resvd	MPBR/ EFR	MOD2	MOD1	MOD0
R/W	R/W	R/W	R/W	?	R/W	R/W	R/W	R/W
Reset	0	0	0	X	1	0	0	0

R = Read W = Write X = Indeterminate ? = Not Applicable

All bits in this register are as described in Table 114.

Table 116.ASCI0 Control Register B (0002H) CNTLB0

Bit	7	6	5	4	3	2	1	0
Bit/Field	MPBT	MP	CTS/PS	PEO	DR	Speed Select		
R/W	R/W	R/W	R/W	R/W	R/W	R/W		
Reset	X	0	0	0	0	1	1	1

R = Read W = Write X = Indeterminate

Bit Position	Bit/Field	R/W	Value	Description
7	Multi-Processor Bit Tx	R/W		When the MP bit (Bit 6) is 1, this bit defines the value to send in the MP bit with the next character written to the Transmit Data Register.
6	Multi-processor Mode	R/W		When this bit is 1, the ASCI sends, and expects to receive, an extra bit after the last data bit. The extra bit is 1 in address characters that begin frames and 0 in following data characters.
5	CTS/PS	R/W		Reading this pin returns the state of the CTS pin (0 is Low, 1 is High). For writing, this bit is PS. When Bits 2–0 in this register are not 111 and the BRG Mode bit in the Extension Control register is 0, PS determines whether the PHI clock is prescaled by 10 (for 0) or 30 (for 1) as the first stage in ASCI clocking.
4	Parity Even/Odd	R/W		When MOD1 (CNTLA Bit 1) is 1, this bit selects whether parity is generated and checked as even (for 0) or odd (for 1).
3	DR	R/W	0	The ASCI divides its basic clock by 16 to obtain its bit rate.
			1	The ASCI divides its basic clock by 64 to obtain its bit rate.



Bit Position	Bit/Field	R/W	Value	Description
2-0	Speed Select	R/W	111 (other)	Do not program this value. When the BRG0 Mode bit is 1, the output of the new BRG is the basic clock of the ASCI. When BRG0 Mode is 0, these bits determine what the output of the Prescaler is divided by, to obtain basic clock for the ASCI: used as is Divide by 2 000 Divide by 4 001 Divide by 8 010 Divide by 16 011 Divide by 32 100 Divide by 64 101 The ASCI divides the basic clock by 16 or 64 to 110 obtain the bit rate.

Table 117. ASCI1 Control Register B (0003H) CNTLB1

Bit	7	6	5	4	3	2	1	0
Bit/Field	MPBT	MP	PS	PEO	DR	Speed Select		
R/W	R/W	R/W	R/W	R/W	R/W	R/W		
Reset	X	0	0	0	0	1	1	1

R = Read W = Write X = Indeterminate

All bits in this register are as described in Table 116, except that Bit 5 has no function in write operations on the Z80S183/Z80L183 ASCI1.



Table 118. ASCII Status Register (0004H) STAT0

Bit	7	6	5	4	3	2	1	0
Bit/Field	RDRF	OVRN	PE	FE	RIE	DCD0	TDRE	TIE
R/W	R	R	R	R	R/W	R	R	R/W
Reset	0	0	0	0	0	pin	0	0

R = Read W = Write X = Indeterminate

Bit Position	Bit/Field	R/W	Value	Description
7	RDRF	R		The Z80S183/Z80L183 sets this bit when a character is received. Reading the last received byte from the Rx FIFO clears this bit. See Note below.
6	OVRN	R		This bit is set when the last character received before an Overrun condition comes to the top of the Rx FIFO. It is cleared when a 0 is written to the EFR bit in CNTL0. See Note below.
5	PE	R		This bit is set if parity is enabled, and a character with a Parity Error comes to the top of the Rx FIFO. It is cleared when a 0 is written to the EFR bit in CNTL0. See Note below.
4	FE	R		This bit is set if a character with a Framing Error (one in which the Stop bit was sampled as 0) comes to the top of the Rx FIFO. It is cleared when a 0 is written to the EFR bit in CNTL0. See Note below.
3	RIE	R/W		When this bit is 1, the ASCII requests an interrupt when any of the flags OVRN, PE, FE, or Break Detect is set, or if Bit 7 of the Extension Control register is 0 and RDRF is 1, or if Bit 6 of the Extension Control register is 0 and DCD0 is Low.
2	DCD0	R		This bit is 1 whenever the DCD0 pin is High. When DCD0 goes Low, the next read of this register returns a 1. The next read returns a 0 if DCD0 is still Low.
1	TDRE	R		This bit is cleared when software writes a character to the TDR. It is set when the character leaves the TDR for transmission, by Reset, and in I/O Stop mode. It is cleared if Bit 5 of the Extension Control register is 0 and CTS0 is High.
0	TIE	R/W		When this bit is 1, the ASCII requests an interrupt when TDRE is 1.



Bit
Position Bit/Field R/W Value Description

The RDRF, OVRN, PE, and FE bits are cleared by Reset, during I/O Stop mode, and for ASCI0, if the DCD Disable bit in the Extension Control register is 0 and DCD0 is High.

Table 119. ASCI1 Status Register (0005H) STAT1

Bit	7	6	5	4	3	2	1	0
Bit/Field	RDRF	OVRN	PE	FE	RIE	Reserved	TDRE	TIE
R/W	R	R	R	R	R/W	R	R	R/W
Reset	0	0	0	0	0	pin	0	0
R = Read W = Write X = Indeterminate								

This register is as described in Table 118, except that Bit 2 has no function for Z80S183/Z80L183 ASCI1.

Table 120. ASCI0 Tx Data Register (0006H) TDR0

Bit	7	6	5	4	3	2	1	0
Bit/Field	Character to Tx							
R/W	W							
Reset	X	X	X	X	X	X	X	X
R = Read W = Write X = Indeterminate								

Bit
Position Bit/Field R/W Value Description

7-0 Tx character R/W Software can write a character to be transmitted to this register, when the TDRE flag in STAT0 is 1.



Table 121.ASCI1 Tx Data Register (0007H) TDR1

Bit	7	6	5	4	3	2	1	0
Bit/Field	Character to Tx							
R/W	W							
Reset	X	X	X	X	X	X	X	X
Note: R = Read W = Write X = Indeterminate								

Bit Position	Bit/Field	R/W	Value	Description
7-0	Tx character	R/W		Software can write a character to be transmitted to this register, when the TDRE flag in STAT1 is 1.

Table 122.ASCI0 Rx Data Register (0008H) RDR0

Bit	7	6	5	4	3	2	1	0
Bit/Field	Received Character							
R/W	R							
Reset	X	X	X	X	X	X	X	X
R = Read W = Write X = Indeterminate								

Bit Position	Bit/Field	R/W	Value	Description
7-0	Rx character	R/W		When the RDRF flag in STAT0 is 1, software can read a received character from this register.

Table 123.ASCI1 Rx Data Register (0009H) RDR1

Bit	7	6	5	4	3	2	1	0
Bit/Field	Received Character							
R/W	R							
Reset	X	X	X	X	X	X	X	X
R = Read W = Write X = Indeterminate								

Bit Position	Bit/Field	R/W	Value	Description
7-0	Rx character	R/W		When the RDRF flag in STAT1 is 1, software can read a received character from this register.



Table 124. ASCI0 Extension Control Register (0012H) ASEXT0

Bit	7	6	5	4	3	2	1	0
Bit/Field	RDID	$\overline{\text{DCD0}}$ Disable	$\overline{\text{CTS0}}$ Disable	X1 Clock	BRG Mode	Start IE	Rx Break	Tx Break/ TxEnd
R/W	R/W	R/W	R/W	R/W	R/W	R/W	R	R/W
Reset	0	0	0	0	0	0	0	0
R = Read W = Write X = Indeterminate								

Bit Position	Bit/Field	R/W	Value	Description
7	Rx Data Interrupt Disable	R/W		When RIE (STAT Bit 3) and this bit are both 1, the ASCI requests receive interrupts only when OVRN, PE, or FE is set. When RIE is 1 and this bit is 0, the ASCI also requests interrupts when RDRF is set (for each received character). When RIE is 0, this bit has no effect.
6	$\overline{\text{DCD0}}$ Disable	R/W	0 1	$\overline{\text{DCD0}}$ auto-enables the receiver $\overline{\text{DCD0}}$ has no effect on the receiver
5	$\overline{\text{CTS0}}$ Disable	R/W	0 1	$\overline{\text{CTS0}}$ auto-enables the transmitter $\overline{\text{CTS0}}$ has no effect on the transmitter
4	X1 Clock	R/W	0	Always 0 on the Z80S183/Z80L183.
3	BRG Mode	R/W	0 1	The SS bits in Control Register B determine the factor by which the Prescaler output is divided, to obtain the ASCI's basic clock. The ASCI's basic clock comes from the new BRG.
2	Start IE	R/W		When this bit and RIE are both 1, the ASCI requests an interrupt when the start of a start bit is detected, for auto-bauding. Writing a 0 to this bit clears the interrupt request.
1	RxBreak	R		This bit is 1 if the receiver has detected a Break condition, that is, if all bits in a character, including the Stop bit, are 0. The all-0 character is placed in the Rx FIFO if there is room, but the receiver does not assemble any more characters until the RXA pin has returned High.



Bit Position	Bit/Field	R/W	Value	Description
0	TxBreak/ TxEnd	R/W		Writing a 1 to this bit makes the transmitter drive TXA Low to send a Break condition, until software writes a 0 to this bit. This bit reads as 0 while a character is transmitted, but becomes 1 when the number of Stop bits selected by MOD0 in CNTLA have been sent.

Table 125.ASCI1 Extension Control Register (0013H) ASEXT1

Bit	7	6	5	4	3	2	1	0
Bit/Field	RDID	Resvd		X1 Clock	BRG Mode	Start IE	Rx Break	Tx Break/ TxEnd
R/W	R/W	?		R/W	R/W	R/W	R	R/W
Reset	0	X	X	0	0	0	0	0

R = Read W = Write X = Indeterminate ? = Not Applicable

This register is as described in the previous table, except that Bits 6–5 have no function for Z80S183/Z80L183 ASCI1.

Table 126.ASCI0 Time Constant Low (001AH) ASTC0L

Bit	7	6	5	4	3	2	1	0
Bit/Field	LS Byte of Time Constant							
R/W	R/W							
Reset	X	X	X	X	X	X	X	X

R = Read W = Write X = Indeterminate

Bit Position	Bit/Field	R/W	Value	Description
7–0	LS byte of Time Constant	R/W		The Least Significant 8 bits of the ASCI0 Baud Rate Generator's Time Constant.



Table 127.ASCI0 Time Constant High (001BH) ASTC0H

Bit	7	6	5	4	3	2	1	0
Bit/Field	LS Byte of Time Constant							
R/W	R/W							
Reset	X	X	X	X	X	X	X	X
R = Read W = Write X = Indeterminate								

Bit Position	Bit/Field	R/W	Value	Description
7-0	MS byte of Time Constant	R/W		The Most Significant 8 bits of the ASCI0 Baud Rate Generator's Time Constant.

Table 128.ASCI1 Time Constant Low (001CH) ASTC1L

Bit	7	6	5	4	3	2	1	0
Bit/Field	LS Byte of Time Constant							
R/W	R/W							
Reset	X	X	X	X	X	X	X	X
R = Read W = Write X = Indeterminate								

Bit Position	Bit/Field	R/W	Value	Description
7-0	LS byte of Time Constant	R/W		The Least Significant 8 bits of the ASCI1 Baud Rate Generator's Time Constant.



Table 129.ASCI0 Time Constant High (001DH) ASTC1H

Bit	7	6	5	4	3	2	1	0
Bit/Field	LS Byte of Time Constant							
R/W	R/W							
Reset	X	X	X	X	X	X	X	X
R = Read W = Write X = Indeterminate								

Bit Position	Bit/Field	R/W	Value	Description
7-0	MS byte of Time Constant	R/W		The Most Significant 8 bits of the ASCI1 Baud Rate Generator's Time Constant.



Clocked Serial I/O (CSI/O) Registers

See “Clocked Serial Input/Output Module” on page 76, for more about these registers.

Table 130. CSI/O Control Register (000AH) CNTR

Bit	7	6	5	4	3	2	1	0
Bit/Field	EF	EIE	RE	TE	Resvd	Speed Select (SS)		
R/W	R	R/W	R/W	R/W	?	R/W		
Reset	0	0	0	0	X	1	1	1

R = Read W = Write X = Indeterminate? = Not Applicable

Bit Position	Bit/Field	R/W	Value	Description
7	End Flag (EF)	R		The CSI/O sets this bit to 1 when it finishes sending or receiving a byte. It clears this bit when software reads or writes the TRDR, on Reset, and during I/O Stop mode.
6	End Interrupt Enable (EIE)	R/W		When this bit is 1, the CSI/O requests an interrupt when it completes sending or receiving a byte and sets EF.
5	Receive Enable (RE)	R/W		Write a 1 to this bit to start a CSI/O receive operation. When the SS bits are 111, the CSI/O waits for 8 clock pulses on CKS. Otherwise, it outputs 8 clock pulses on CKS. In either case, it clocks data on RXS into the TRDR at each rising edge on CKS. After capturing the 8th bit, it clears this bit and sets EF.
4	Transmit Enable (TE)	R/W		Write a 1 to this bit to start CSI/O transmission. When the SS bits are 111, the CSI/O waits for 8 clock pulses on CKS. Otherwise, it outputs 8 clock pulses on CKS. In either case, it clocks data from the TRDR onto TXS at each falling edge on CKS. After sending 8 bits, the CSI/O clears this bit and sets EF.



Bit Position	Bit/Field	R/W	Value	Description
2-0	Speed Select (SS)	R/W		When these bits are 111, as they are after a Reset, the CSI/O takes external clocking from the CKS pin. Otherwise, it drives a clock onto CKS, that it derives from PHI as follows:
			000	PHI/20
			001	PHI/40
			010	PHI/80
			011	PHI/160
			100	PHI/320
			101	PHI/640
			110	PHI/1280

Table 131. CSI/O_Data Register (000BH) TRDR

Bit	7	6	5	4	3	2	1	0
Bit/Field	Byte to Send (W) or Received Byte (R)							
R/W	R/W							
Reset	X	X	X	X	X	X	X	X
R = Read W = Write X = Indeterminate								

Bit Position	Bit/Field	R/W	Value	Description
7-0		R/W		Software writes a byte to this register, before setting the TE bit, allowing the CSI/O to send it. Software reads a received byte from this register, after the CSI/O sets the EF bit in response to software setting the RE bit.



Instruction Set

The Z80S183/Z80L183 includes the 80S180 processor that descended from the ZiLOG Z80. The 8-bit data bus and 20-bit address space fit well into a wide variety of mid-range embedded processing applications. This processor provides significantly more computing power than a microcontroller, at a fraction of the system cost of a larger microprocessor.

For details of these instructions see the Z80S183/Z80L183 User Manual, or the Z8S180 or Z80185 User Manuals until the Z80S183/Z80L183 User Manual is available.

Classes of Instructions

Table 132. Load Instruction

Mnemonic	Operands	Instruction
LD	dst,src	Load
POP	dst	Pop
PUSH	src	Push

Table 133. Arithmetic Instructions

Mnemonic	Operands	Instruction
ADC	dst,src	Add with Carry
ADD	dst,src	Add
CP	A,src	Compare
CPD(R)		Block Scan, decrementing (and Repeat)
CPI(R)		Block Scan, incrementing (and Repeat)
DAA		Decimal Adjust Accumulator
DEC	dst	Decrement
INC	dst	Increment
MLT	rr	Multiply
NEG		Negate Accumulator
SBC	dst,src	Subtract with Carry
SUB	A,src	Subtract



Table 134. Logical Instructions

Mnemonic	Operands	Instruction
AND	A,src	Logical AND
CPL		Complement accumulator
OR	A,src	Logical OR
TST	A,src	Test accumulator
XOR	A,src	Logical Exclusive OR

Table 135. Exchange Instructions

Mnemonic	Operands	Instruction
EX	AF,AF'	Exchange Accumulator and Flags
EX	DE,HL	Exchange DE and HL
EX	(SP),rr	Exchange register and top of stack
EXX		Exchange register banks

Table 136. Program Control Instructions

Mnemonic	Operands	Instruction
CALL	cc,dst	Conditional Call
CALL	dst	Call
DJNZ	dst	Decrement and Jump if Non-Zero
JP	cc,dst	Conditional Jump
JP	dst	Jump
JR	cc',dst	Conditional Jump Relative
JR	dst	Jump Relative
RET	cc	Conditional Return
RET		Return



Table 136. Program Control Instructions

Mnemonic	Operands	Instruction
RETI		Return from Interrupt
RETN		Return from Nonmaskable interrupt
RST	dst	Restart

Table 137. Bit Manipulation Instructions

Mnemonic	Operands	Instruction
BIT	n,src	Bit test
RES	n,dst	Reset bit
SET	n,dst	Set bit

Table 138. Block Transfer Instructions

Mnemonic	Operands	Instruction
LDD(R)		Block Move, decrementing (and Repeat)
LDI(R)		Block Move, incrementing (and Repeat)

Table 139. Rotate and Shift Instructions

Mnemonic	Operands	Instruction
RL	dst	Rotate Left
RLA		Rotate Left Accumulator
RLC	dst	Rotate Left Circular
RLCA		Rotate Left Circular Accumulator
RLD		Rotate Left Decimal
RR	dst	Rotate Right
RRA		Rotate Right Accumulator
RRC	dst	Rotate Right Circular
RRCA		Rotate Right Circular Accumulator



Table 139. Rotate and Shift Instructions

Mnemonic	Operands	Instruction
RRD		Rotate Right Decimal
SLA	dst	Shift Left
SRA	dst	Shift Right Arithmetic
SRL	dst	Shift Right Logical

Table 140. Input/Output Instructions

Mnemonic	Operands	Instruction
IN	A, (n)	Input to A from port n
IN	r, (C)	Input to register from port in BC
IN0	r, (n)	Input to r from port n in page 0
IND(R)		Block Input, decrementing (and Repeat)
INI(R)		Block Input, incrementing (and Repeat)
OTDM(R)		Block Output, page 0, decrementing (and Repeat)
OTIM(R)		Block Output, page 0, incrementing (and Repeat)
OUT	(n), A	Output from A to port n
OUT	(C), r	Output from register to port in BC
OUT0	(n), r	Output from register to port n in page 0
OUTD (OTDR)		Block Output, decrementing (and Repeat)
OUTI (OTIR)		Block Output, incrementing (and Repeat)
TSTIO	n	Test port (0,C) under mask

Table 141. Processor Control Instructions

Mnemonic	Operands	Instruction
CCF		Complement Carry Flag
DI		Disable Interrupts
EI		Enable Interrupts
HALT		Halt



Table 141. Processor Control Instructions (Continued)

Mnemonic	Operands	Instruction
IM	0/1/2	Interrupt Mode
NOP		No Operation
SCF		Set Carry Flag
SLP		Sleep

Processor Flags

Table 142 describes the Flag register. Bits in this register are set and cleared by instructions described in the Z80S183/Z80L183 User Manual. Some of the Flags are tested by conditional `JR`, `JP`, `CALL`, and `RET` instructions, and some are used by subsequent instructions such as `ADC`, `SBC`, and `DAA`. Accumulator A can also perform `PUSH` and `POP` instructions on the Flags.

Table 142. Flag Register F

Bit	7	6	5	4	3	2	1	0
Name	S	Z	X	HC	X	P/V	N	CF
Reset	0	0	X	0	X	0	0	0
X = Indeterminate								

Bit/ Field	Bit Position	Description
S	7	Sign Flag
Z	6	Zero Flag
	5	Reserved, do not program
HC	4	Half-carry Flag
	3	Reserved, do not program
P/V	2	Parity or Overflow Flag
N	1	Add/Subtract Flag
CF	0	Carry Flag



Condition Codes

Table 143 summarizes the codes used in the *Flags Affected* columns of the Instruction Summary Table, Table 146, to indicate how each flag is affected by each type of instruction.

Table 143. Flag Settings Definitions

Symbol	Definition
0	Cleared to 10
1	Set to 1
*	Set or cleared according to the result of the operation
–	Unaffected
X	Undefined
V	Set if Overflow or Underflow
P	Set if Parity or result is Even
NZ	Set if the count in B or BC is non-zero

Table 144 summarizes the condition codes that can be used in conditional JP, CALL, and RET instructions in assembly language. A subset of these codes can also be used in JR instructions, which are shorter and faster than JPs.

Table 144. Condition Codes

Mnemonic	Definition	Flag Settings	Valid in JR?
C	Carry	CF = 1	Y
NC	No Carry	CF = 0	Y
Z	0	Z = 1	Y
NZ	Non-Zero	Z = 0	Y
M	Minus	S = 1	N
P	Positive or 0	S = 0	N
PE	Parity Even	P/V = 1	N
PO	Parity Odd	P/V = 0	N
V	Overflow	P/V = 1	N
NV	No Overflow	P/V = 0	N



Notation

Table 145 summarizes other notation used in the subsequent Instruction Summary table.

Table 145.Symbols

Symbol	Definition
(aa)	(mn), (IX±d), (IY±d), (BC), (DE), or (HL).
(BC), (DE), (HL)	The 8-bit contents of memory, at the address pointed to by a register pair.
(IX±d), (IY±d)	The 8-bit content of memory at the address formed by adding the contents of the index register and the signed displacement d in the instruction.
(mn)	The 8-bit content of memory at the direct address mn.
(SP)	The 16-bit contents of memory at the address pointed to by SP, and the next higher address.
±d	Since d is signed, it would be more correct to just write + instead. But we write ± to emphasize that d is signed.
AF	A concatenated with F, with A as the more-significant byte
b	A bit number 0–7
cc	A condition code C, NC, Z, NZ, S, M, PE, PV, V, or NV
cc'	A condition code C, NC, Z, or NZ
d	An 8-bit signed displacement –128 to +127
ee	A 16-bit register BC, DE, HL, SP, IX, or IY
IEF1,2	The processor's two Interrupt Enable Flags. See the "Interrupt Registers" on page 92 section for more detail.
mn	A 16-bit immediate data value or direct address
n	A 8-bit immediate value or port number, 0–255 or 0–FFH
op1–op2	A range of Op Code values, that includes some of the values between the Low and High values. See the Note.
PC	Program Counter
pp	A 16-bit register BC, DE, HL, SP, IX, IY, or AF
r, r'	An 8-bit register A, B, C, D, E, H, or L.
rr	A 16-bit register HL, IX, or IY.
s	An 8-bit register or memory location
SP	Stack Pointer



Table 145. Symbols (Continued)

Symbol	Definition
ss	A 16-bit register BC, DE, HL, or SP.
ss _H , ss _L	The more- and less-significant eight bits of a register pair
tt	A 16-bit register like <i>ss</i> , except that the value that designates HL in the <i>ss</i> encoding, here means <i>same as the destination register HL, IX, or IY.</i>

► **Note:** The symbol – between Op Codes (op1–op2), in the Op Codes column of the Instruction Summary table, indicates all the binary values between the lower and upper limits inclusive, that can be formed by incrementing the set of bits that differ between the lower and upper value.

00–C0 represents 00, 40, 80, and C0, while 40–BF represents all the values in that range.

Assembly Language Syntax

For two-operand instructions, Z80 assembly language syntax puts the destination operand before the source operand.

LD A, (1234) is a Load instruction, while LD (1234), A is a Store instruction.

Past Z80 assemblers allowed the destination operand to be omitted (implicit) if the Op Code mnemonic only allowed one destination operand, for example, AND L instead of AND A, L. Use of these short forms is discouraged because they are a source of possible error (the programmer thinks that the *implicit* destination is other than it really is). For the sake of legacy code, all known Z80 assemblers still accept the short form.



Caution: The assembly language uses C ambiguously, to designate one of the 8-bit registers as well as a condition code to test the Carry flag. This Product Specification uses CF to designate the Carry flag, and HC to designate the Half-Carry flag (as opposed to the 8-bit register H).

Instruction Summary

Table 146 describes each type or class of instruction, using the notation described in the preceding sections. In cases where the Address Mode information can be both Destination (Dest) and Source code, this information spans both the Dest



and Source columns (for example, the DEC instruction). The table is sorted by the assembly language mnemonics.

Table 146. Instruction Summary

Instruction and Operation Dest	Address Mode		Op Code(s) (Hex)	Flags Affected					
	Source			S	Z	HC	P/V	N	CF
ADC A,s A ← A + s + CF	r		88–8F	*	*	*	V	0	*
	n		CE						
	(HL)		8E						
	(IX/Y±d)		DD/FD 8E						
ADC HL,ss HL ← HL+ ss + CF			ED 4A–7A	*	*	*	V	0	*
ADD A,s A ← A + s	r		80–87	*	*	*	V	0	*
	n		C6						
	(HL)		86						
	(IX/Y±d)		DD/FD 86						
ADD rr,tt rr ← rr + tt	HL		09–39	–	–	*	–	0	*
	IX/Y		DD/FD 09–39						
AND A,s A ← A and s	r		A0–A7	*	*	1	P	0	0
	n		E6						
	(HL)		A6						
	(IX/Y±d)		DD/FD A6						
BIT b,m Z ← not (bit b of m)	r		CB 40–7F	X	*	1	X	0	–
	(HL)		CB 46–7E						
	(IX/Y±d)		DD/FD CB d 46–7E						
CALL cc,mn IF cc {SP ← SP – 2 (SP) ← PC PC ← mn}			C4–FC	–	–	–	–	–	–
CALL mn SP ← SP – 2 (SP) ← PC PC ← mn			CD	–	–	–	–	–	–
CCF CF ← not CF			3F	–	–	*	–	0	*



Table 146. Instruction Summary (Continued)

Instruction and Operation	Address Mode		Op Code(s) (Hex)	Flags Affected					
	Dest	Source		S	Z	HC	P/V	N	CF
CP A,s A ← s		r	B8–BF	*	*	*	V	1	*
		n	FE						
		(HL)	BE						
		(IX/Y±d)	DD/FD BE						
CPD A ← (HL) HL ← HL – 1 BC ← BC – 1			ED A9	*	*	*	NZ	1	–
CPDR repeat {A ← (HL) HL ← HL – 1 BC ← BC – 1 } while (not Z and BC!=0)			ED B9	*	*	*	NZ	1	–
CPI A ← (HL) HL ← HL + 1 BC ← BC – 1			ED A1	*	*	*	NZ	1	–
CPIR repeat {A ← (HL) HL ← HL + 1 BC ← BC – 1 } while (not Z and BC!=0)			ED B1	*	*	*	NZ	1	–
CPL A ← not A			2F	–	–	1	–	1	–
DAA A ← decimal adjust (A,F)			27	*	*	*	P	–	*
DEC ee ee ← ee – 1		ss	0B–3B	–	–	–	–	–	–
		IX/Y	DD/FD 2B						
DEC m m ← m – 1		r	05–3D	*	*	*	V	1	–
		(HL)	35						
		(IX/Y±d)	DD/FD 35						
DI IEF1,2 ← 0			F3	–	–	–	–	–	–



Table 146. Instruction Summary (Continued)

Instruction and Operation	Address Mode		Op Code(s) (Hex)	Flags Affected					
	Dest	Source		S	Z	HC	P/V	N	CF
DJNZ d B ← B - 1 if B ≠ 0 {PC ← PC ± d}			10	-	-	-	-	-	-
EI IEF1,2 ← 1			FB	-	-	-	-	-	-
EX AF,AF' AF ↔ AF'			08	*	*	*	*	*	*
EX (SP),rr (SP) ↔ rr	HL		E3	-	-	-	-	-	-
	IX/Y		DD/FD E3						
EXX BC ↔ BC' DE ↔ DE' HL ↔ HL'			D9	-	-	-	-	-	-
HALT			76	-	-	-	-	-	-
IM n			ED 40-58	-	-	-	-	-	-
IN A,(n) A ← (n)			DB	-	-	-	-	-	-
IN r,(C) r ← (BC)			ED 40-78	*	*	0	P	0	-
IN0 r,(n) r ← (0,n)			ED 00-38	*	*	0	P	0	-
INC ee ee ← ee + 1	ss		03-33	-	-	-	-	-	-
	IX/Y		DD/FD 23						
INC m m ← m + 1	r		04-3C	*	*	*	V	0	-
	(HL)		34						
	IX/Y		DD/FD 34						
IND (HL) ← (C) B ← B - 1 HL ← HL - 1			ED AA	X	*	X	X	1	-



Table 146. Instruction Summary (Continued)

Instruction and Operation	Address Mode		Op Code(s) (Hex)	Flags Affected					
	Dest	Source		S	Z	HC	P/V	N	CF
INDR do {(HL) ← (C)} B ← B - 1 HL ← HL - 1 } while B != 0			ED BA	X	1	X	X	1	-
INI (HL) ← (C) B ← B - 1 HL ← HL + 1			ED A2	X	*	X	X	1	-
INIR do {(HL) ← (C)} B ← B - 1 HL ← HL + 1 } while B != 0			ED B2	X	1	X	X	1	-
JP (rr) PC ← rr	(HL)		E9	-	-	-	-	-	-
	(IX/Y)		DD/FD E9						
JP cc,mn if cc {PC ← mn}			C2-FA	-	-	-	-	-	-
JP mn PC ← mn			C3	-	-	-	-	-	-
JR cc',d if cc' {PC ← PC ± d}			10-38	-	-	-	-	-	-
JR d PC ← PC ± d			18	-	-	-	-	-	-
LD (aa),A (aa) ← A	(BC)		02	-	-	-	-	-	-
	(DE)		12						
	(HL)		77						
	(mn)		32						
	(IX/Y±d)		DD/FD 77						
LD (mn),ee (mn) ← ee	HL		22	-	-	-	-	-	-
	ss		ED 43-73						
	IX/Y		DD/FD 22						



Table 146. Instruction Summary (Continued)

Instruction and Operation	Address Mode		Op Code(s) (Hex)	Flags Affected					
	Dest	Source		S	Z	HC	P/V	N	CF
LD A,(aa) A ← (aa)		(BC)	0A	-	-	-	-	-	-
		(DE)	1A						
		(HL)	7E						
		(mn)	3A						
		(IX/Y±d)	DD/FD 7E						
LD A,I A ← I			ED 57	*	*	0	IEF 2	0	-
LD A,R A ← R			ED 5F	*	*	0	IEF 2	0	-
LD ee,mn ee ← mn	ss		01–31	-	-	-	-	-	-
	IX/Y		DD/FD 21						
LD ee,(mn) ee ← (mn)	HL		2A	-	-	-	-	-	-
	ss		ED 4B–7B						
	IX/Y		DD/FD 2A						
LD I,A I ← A			ED 47	-	-	-	-	-	-
LD m,n m ← n	r		06–3E	-	-	-	-	-	-
	(HL)		36						
	(IX/Y±d)		DD/FD 36						
LD m,r m ← r	r'		40–7F	-	-	-	-	-	-
	(HL)		70–77						
	(IX/Y±d)		DD/FD 70–77						
LD R,A R ← A			ED 4F	-	-	-	-	-	-
LD r,s r ← s	r'		40–7F	-	-	-	-	-	-
	n		06–3E						
	(HL)		46–7E						
	(IX/Y±d)		DD/FD 46–7E						
LD SP,rr SP ← rr	HL		F9	-	-	-	-	-	-
	IX/Y		DD/FD F9						



Table 146. Instruction Summary (Continued)

Instruction and Operation	Address Mode		Op Code(s) (Hex)	Flags Affected					
	Dest	Source		S	Z	HC	P/V	N	CF
LDD (DE) ← (HL) DE ← DE - 1 HL ← HL - 1 BC ← BC - 1			ED A8	-	-	0	NZ	0	-
LDDR do {(DE) ← (HL) DE ← DE - 1 HL ← HL - 1 BC ← BC - 1 } while BC != 0			ED B8	-	-	0	0	0	-
LDI (DE) ← (HL) DE ← DE + 1 HL ← HL + 1 BC ← BC - 1			ED A0	-	-	0	NZ	0	-
LDIR do {(DE) ← (HL) DE ← DE + 1 HL ← HL + 1 BC ← BC - 1 } while BC != 0			ED B0	-	-	0	0	0	-
MLT ss ss ← ss _L * ss _H			ED 4C-7C	-	-	-	-	-	-
NEG A ← 0 - A			ED 44	*	*	*	V	1	*
NOP			00	-	-	-	-	-	-
OR A,s A ← A OR s	r		B0-B7	*	*	0	P	0	0
	n		F6						
	(HL)		B6						
	(IX/Y±d)		DD/FD B6						
OTDM (0,C) ← (HL) B ← B - 1 C ← C - 1 HL ← HL - 1			ED 8B	*	*	*	P	*	*



Table 146. Instruction Summary (Continued)

Instruction and Operation Dest	Address Mode		Op Code(s) (Hex)	Flags Affected					
		Source		S	Z	HC	P/V	N	CF
OTDMR do {(0,C) ← (HL)} B ← B - 1 C ← C - 1 HL ← HL - 1 } while B != 0			ED 8B	0	1	0	1	*	0
OTDR do {(C) ← (HL)} B ← B - 1 HL ← HL - 1 } while B != 0			ED BB	X	1	X	X	1	-
OTIM (0,C) ← (HL) B ← B - 1 C ← C + 1 HL ← HL + 1			ED 83	*	*	*	P	*	*
OTIMR do {(0,C) ← (HL)} B ← B - 1 C ← C + 1 HL ← HL + 1 } while B != 0			ED 93	0	1	0	1	*	0
OTIR do {(C) ← (HL)} B ← B - 1 HL ← HL + 1 } while B != 0			ED B3	X	1	X	X	1	-
OUT (C),r (BC) ← r			ED 41-79	-	-	-	-	-	-
OUT (n),A (n) ← A			D3	-	-	-	-	-	-
OUT0 (n),r (0,n) ← r			ED 01-79	-	-	-	-	-	-
OUTD (C) ← (HL) B ← B - 1 HL ← HL - 1			ED AB	X	*	X	X	1	-



Table 146. Instruction Summary (Continued)

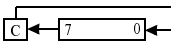
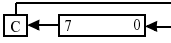
Instruction and Operation	Address Mode		Op Code(s) (Hex)	Flags Affected					
	Dest	Source		S	Z	HC	P/V	N	CF
OUTI (C) ← (HL) B ← B - 1 HL ← HL + 1			ED AB	X	*	X	X	1	-
POP pp pp ← (SP) SP ← SP + 2	qq		C1-F1	(no change unless operand is AF)					
	IX/Y		DD/FD E1						
PUSH pp SP ← SP - 2 (SP) ← pp		qq	C5-F5	-	-	-	-	-	-
		IX/Y	DD/FD E5						
RES b,m m ← m and not (2^b)	r		CB 80-BF	-	-	-	-	-	-
	(HL)		CB 86-BE						
	(IX/Y±d)		DD/FD CB d 86-BE						
RET PC ← (SP) SP ← SP + 2			C9	-	-	-	-	-	-
RET cc if cc {PC ← (SP) SP ← SP + 2}			C0-F8	-	-	-	-	-	-
RETI PC ← (SP) SP ← SP + 2 + recognition by Z80 peripherals			ED 4D	-	-	-	-	-	-
RETN PC ← (SP) SP ← SP + 2 IEF1 ← IEF2			ED 45	-	-	-	-	-	-
RL m  (CF,m) ← rotL(CF,m)	r		CB 10-17	*	*	0	P	0	*
	(HL)		CB 16						
	(IX/Y±d)		DD/FD CB d 16						
RLA  (CF,A) ← rotL(CF,A)			17	-	-	0	-	0	*



Table 146. Instruction Summary (Continued)

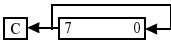
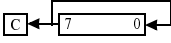
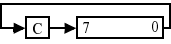
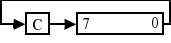
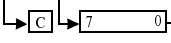
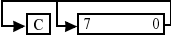
Instruction and Operation	Address Mode		Op Code(s) (Hex)	Flags Affected					
	Dest	Source		S	Z	HC	P/V	N	CF
RLC m 	r		CB 00–07	*	*	0	P	0	*
	(HL)		CB 06						
(CF,m) ← rotL(m)	(IX/Y±d)		DD/FD CB d 06						
RLCA 			07	–	–	0	–	0	*
(CF,A) ← rotL(A)									
RLD tmp ← A[3:0] A[3:0] ← (HL)[7:4] (HL)[7:4] ← (HL)[3:0] (HL)[3:0] ← tmp			ED 6F	*	*	0	P	0	–
RR m 	r		CB 18–1F	*	*	0	P	0	*
	(HL)		CB 1E						
(CF,m) ← rotR(CF,m)	(IX/Y±d)		DD/FD CB d 1E						
RRA 	r		1F	–	–	0	–	0	*
(CF,A) ← rotR(CF,A)									
RRC m 	r		CB 08–0F	*	*	0	P	0	*
	(HL)		CB 0E						
(CF,m) ← rotR(m)	(IX/Y±d)		DD/FD CB d 0E						
RRCA 			0F	–*	–	0	–	0	*
(CF,A) ← rotR(A)									
RRD tmp ← (HL)[3:0] (HL)[3:0] ← (HL)[7:4] (HL)[7:4] ← A[3:0] A[3:0] ← tmp			ED 67	*	*	0	P	0	–
RST p SP ← SP – 2 (SP) ← PC PC ← 0,p note p=0,8,10,18,...38H			C7–FF	*	*	0	P	0	–



Table 146. Instruction Summary (Continued)

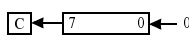
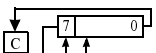
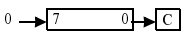
Instruction and Operation	Address Mode		Op Code(s) (Hex)	Flags Affected					
	Dest	Source		S	Z	HC	P/V	N	CF
SBC A,s $A \leftarrow A - s - CF$		r	98–9F	*	*	*	V	1	*
		n	DE						
		(HL)	9E						
		(IX/Y±d)	DD/FD 9E						
SBC HL,ss $HL \leftarrow HL - ss - CF$		r	ED 42–72	*	*	*	V	1	*
SCF $CF \leftarrow 1$			37	–	–	0	–	0	1
SET b,m $m \leftarrow m \text{ or } (2^b)$		r	CB C0–FF	–	–	–	–	–	–
		(HL)	CB C6–FE						
		(IX/Y±d)	DD/FD CB d C6–FE						
SLA m  $(CF,m) \leftarrow m + m$		r	CB 20–27	*	*	0	P	0	*
		(HL)	CB 26						
		(IX/Y±d)	DD/FD CB d 26						
SLP			ED 76	–	–	–	–	–	–
SRA m  $(m,CF) \leftarrow \text{arith_shR}(m)$		r	CB 28–2F	*	*	0	P	0	*
		(HL)	CB 2E						
		(IX/Y±d)	DD/FD CB d 2E						
SRL m  $(m,CF) \leftarrow \text{logic_shR}(m)$		r	CB 38–3F	0	*	0	P	0	*
		(HL)	CB 3E						
		(IX/Y±d)	DD/FD CB d 3E						
SUB A,s $A \leftarrow A - s$		r	90–97	*	*	*	V	1	*
		n	D6						
		(HL)	96						
		(IX/Y±d)	DD/FD 96						
TST A,s $A \text{ AND } s$		r	ED 04–3C	*	*	1	P	0	0
		n	ED 64						
		(HL)	ED 34						
TSTIO n $(0,C) \text{ AND } n$			ED 34	*	*	1	P	0	0



Table 146. Instruction Summary (Continued)

Instruction and Operation	Address Mode		Op Code(s) (Hex)	Flags Affected					
	Dest	Source		S	Z	HC	P/V	N	CF
XOR A,s A ← A XOR s		r	A8–AF	*	*	0	P	0	0
		n	EE						
		(HL)	AE						
		(IX/Y±d)	DD/FD AE						



Op Code Map

Table 147. Op Code Map (First Op Code)

		LOWER NIBBLE (HEX)															
		0	1	2	3	4	5	6	7	8	9	A	B	C	D	E	F
UPPER NIBBLE (HEX)	0	NOP	LD BC,nn	LD (BC),A	INC BC	INC B	DEC B	LD B,n	RLCA	EX AF,AF'	ADD HL,BC	LD A,(BC)	DEC BC	INC C	DEC C	LD C,n	RRCA
	1	DJNZ d	LD DE,nn	LD (DE),A	INC DE	INC D	DEC D	LD D,n	RLA	JR d	ADD HL,DE	LD A,(DE)	DEC DE	INC E	DEC E	LD E,n	RRA
	2	JR NZ,d	LD HL,nn	LD (nn),HL	INC HL	INC H	DEC H	LD H,n	DAA	JR Z,d	ADD HL,HL	LD (HL),nn	DEC HL	INC L	DEC L	LD L,n	CPL
	3	JR NC,d	LD SP,nn	LD (nn),A	INC SP	INC (HL)	DEC (HL)	LD (HL),n	SCF	JR C,d	ADD HL,SP	LD A,(nn)	DEC SP	INC A	DEC A	LD A,n	CCF
	4	LD B,B	LD B,C	LD B,D	LD B,E	LD B,H	LD B,L	LD B,(HL)	LD C,A	LD C,B	LD C,C	LD C,D	LD C,E	LD C,H	LD C,L	LD C,(HL)	LD C,A
	5	LD D,B	LD D,C	LD D,D	LD D,E	LD D,H	LD D,L	LD D,(HL)	LD D,A	LD D,B	LD D,C	LD D,E	LD D,H	LD D,L	LD D,(HL)	LD D,A	LD D,A
	6	LD H,B	LD H,C	LD H,D	LD H,E	LD H,H	LD H,L	LD H,(HL)	LD H,A	LD L,B	LD L,C	LD L,D	LD L,E	LD L,H	LD L,L	LD L,(HL)	LD L,A
	7	LD (HL),B	LD (HL),C	LD (HL),D	LD (HL),E	LD (HL),H	LD (HL),L	HALT	LD (HL),A	LD A,B	LD A,C	LD A,D	LD A,E	LD A,H	LD A,L	LD A,(HL)	LD A,A
	8	ADD A,B	ADD A,C	ADD A,D	ADD A,E	ADD A,H	ADD A,L	ADD A,(HL)	ADC A,A	ADC A,B	ADC A,C	ADC A,D	ADC A,E	ADC A,H	ADC A,L	ADC A,(HL)	ADC A,A
	9	SUB A,B	SUB A,C	SUB A,D	SUB A,E	SUB A,H	SUB A,L	SUB A,(HL)	SUB A,A	SBC A,B	SBC A,C	SBC A,D	SBC A,E	SBC A,H	SBC A,L	SBC A,(HL)	SBC A,A
	A	AND A,B	AND A,C	AND A,D	AND A,E	AND A,H	AND A,L	AND A,(HL)	AND A,A	XOR A,B	XOR A,C	XOR A,D	XOR A,E	XOR A,H	XOR A,L	XOR A,(HL)	XOR A,A
	B	OR A,B	OR A,C	OR A,D	OR A,E	OR A,H	OR A,L	OR A,(HL)	OR A,A	CP A,B	CP A,C	CP A,D	CP A,E	CP A,H	CP A,L	CP A,(HL)	CP A,A
	C	RET NZ	POP BC	JP NZ,nn	JP nn	CALL NZ,nn	PUSH BC	ADD A,n	RST 0	RET Z	RET	JP Z,nn	(Table 1 48)	CALL Z,nn	CALL nn	ADC A,n	RST 8
	D	RET NZ	POP DE	JP NC,nn	OUT (n),A	CALL NC,nn	PUSH DE	SUB A,n	RST 10H	RET C	EXX	JP C,nn	IN A,(n)	CALL C,nn	(Table 1 49)	SBC A,n	RST 18H
	E	RET PO	POP HL	JP PO,nn	EX (SP),HL	CALL PO,nn	PUSH HL	AND A,n	RST 20	RET PE	JP (HL)	JP PE,nn	EX DE,HL	CALL PE,nn	(Table 1 50)	XOR A,n	RST 28H
	F	RET P	POP AF	JP P,nn	DI	CALL P,nn	PUSH AF	OR A,n	RST 30H	RET M	LD SP,HL	JP M,nn	EI	CALL M,nn	(Table 1 51)	CP A,n	RST 38H

Notes:
n = 8-bit data
nn = 16-bit addr or data
d = signed 8-bit displacement

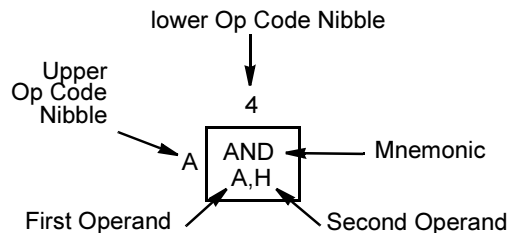




Table 148.Op Code Map (Second Op Code after 0CBH)

		LOWER NIBBLE (HEX)															
		0	1	2	3	4	5	6	7	8	9	A	B	C	D	E	F
UPPER NIBBLE (HEX)	0	RLC B	RLC C	RLC D	RLC E	RLC H	RLC L	RLC (HL)	RLC RRCA	RRC B	RRC C	RRC D	RRC E	RRC H	RRC L	RRC (HL)	RRC A
	1	RL B	RL C	RL D	RL E	RL H	RL L	RL (HL)	RL A	RR B	RR C	RR D	RR E	RR H	RR L	RR (HL)	RR A
	2	SLA B	SLA C	SLA D	SLA E	SLA H	SLA L	SLA (HL)	SLA A	SRA B	SRA C	SRA D	SRA E	SRA H	SRA L	SRA (HL)	SRA A
	3									SRL B	SRL C	SRL D	SRL E	SRL H	SRL L	SRL (HL)	SRL A
	4	BIT 0,B	BIT 0,C	BIT 0,D	BIT 0,E	BIT 0,H	BIT 0,L	BIT 0,(HL)	BIT 0,A	BIT 1,B	BIT 1,C	BIT 1,D	BIT 1,E	BIT 1,H	BIT 1,L	BIT 1,(HL)	BIT 1,A
	5	BIT 2,B	BIT 2,C	BIT 2,D	BIT 2,E	BIT 2,H	BIT 2,L	BIT 2,(HL)	BIT 2,A	BIT 3,B	BIT 3,C	BIT 3,D	BIT 3,E	BIT 3,H	BIT 3,L	BIT 3,(HL)	BIT 3,A
	6	BIT 4,B	BIT 4,C	BIT 4,D	BIT 4,E	BIT 4,H	BIT 4,L	BIT 4,(HL)	BIT 4,A	BIT 5,B	BIT 5,C	BIT 5,D	BIT 5,E	BIT 5,H	BIT 5,L	BIT 5,(HL)	BIT 5,A
	7	BIT 6,B	BIT 6,C	BIT 6,D	BIT 6,E	BIT 6,H	BIT 6,L	BIT 6,(HL)	BIT 6,A	BIT 7,B	BIT 7,C	BIT 7,D	BIT 7,E	BIT 7,H	BIT 7,L	BIT 7,(HL)	BIT 7,A
	8	RES 0,B	RES 0,C	RES 0,D	RES 0,E	RES 0,H	RES 0,L	RES 0,(HL)	RES 0,A	RES 1,B	RES 1,C	RES 1,D	RES 1,E	RES 1,H	RES 1,L	RES 1,(HL)	RES 1,A
	9	RES 2,B	RES 2,C	RES 2,D	RES 2,E	RES 2,H	RES 2,L	RES 2,(HL)	RES 2,A	RES 3,B	RES 3,C	RES 3,D	RES 3,E	RES 3,H	RES 3,L	RES 3,(HL)	RES 3,A
	A	RES 4,B	RES 4,C	RES 4,D	RES 4,E	RES 4,H	RES 4,L	RES 4,(HL)	RES 4,A	RES 5,B	RES 5,C	RES 5,D	RES 5,E	RES 5,H	RES 5,L	RES 5,(HL)	RES 5,A
	B	RES 6,B	RES 6,C	RES 6,D	RES 6,E	RES 6,H	RES 6,L	RES 6,(HL)	RES 6,A	RES 7,B	RES 7,C	RES 7,D	RES 7,E	RES 7,H	RES 7,L	RES 7,(HL)	RES 7,A
	C	SET 0,B	SET 0,C	SET 0,D	SET 0,E	SET 0,H	SET 0,L	SET 0,(HL)	SET 0,A	SET 1,B	SET 1,C	SET 1,D	SET 1,E	SET 1,H	SET 1,L	SET 1,(HL)	SET 1,A
	D	SET 2,B	SET 2,C	SET 2,D	SET 2,E	SET 2,H	SET 2,L	SET 2,(HL)	SET 2,A	SET 3,B	SET 3,C	SET 3,D	SET 3,E	SET 3,H	SET 3,L	SET 3,(HL)	SET 3,A
	E	SET 4,B	SET 4,C	SET 4,D	SET 4,E	SET 4,H	SET 4,L	SET 4,(HL)	SET 4,A	SET 5,B	SET 5,C	SET 5,D	SET 5,E	SET 5,H	SET 5,L	SET 5,(HL)	SET 5,A
	F	SET 6,B	SET 6,C	SET 6,D	SET 6,E	SET 6,H	SET 6,L	SET 6,(HL)	SET 6,A	SET 7,B	SET 7,C	SET 7,D	SET 7,E	SET 7,H	SET 7,L	SET 7,(HL)	SET 7,A

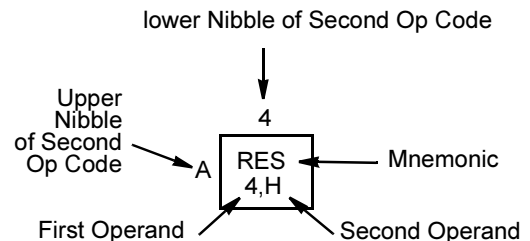




Table 149. Op Code Map (Second Op Code After 0DDH)

		LOWER NIBBLE (HEX)															
		0	1	2	3	4	5	6	7	8	9	A	B	C	D	E	F
UPPER NIBBLE (HEX)	0										ADD IX,BC						
	1										ADD IX,DE						
	2		LD IX,nn	LD (nn),IX	INC IX						ADD IX,IX	LD IX,(nn)	DEC IX				
	3					INC (IX±d)	DEC (IX±d)	LD (IX±d),n			ADD IX,SP						
	4							LD B,(IX±d)								LD C,(IX±d)	
	5							LD D,(IX±d)								LD E,(IX±d)	
	6							LD H,(IX±d)								LD L,(IX±d)	
	7	LD (IX±d),B	LD (IX±d),C	LD (IX±d),D	LD (IX±d),E	LD (IX±d),H	LD (IX±d),L		LD (IX±d),A							LD A,(IX±d)	
	8							ADD A,(IX±d)								ADC A,(IX±d)	
	9							SUB A,(IX±d)								SBC A,(IX±d)	
	A							AND A,(IX±d)								XOR A,(IX±d)	
	B							OR A,(IX±d)								CP A,(IX±d)	
	C												(Table 152)				
	D																
	E		POP IX		EX (SP),IX		PUSH IX				JP (IX)						
	F										LD SP,IX						

Notes:
n = 8-bit data
nn = 16-bit addr or data
d = signed 8-bit displacement

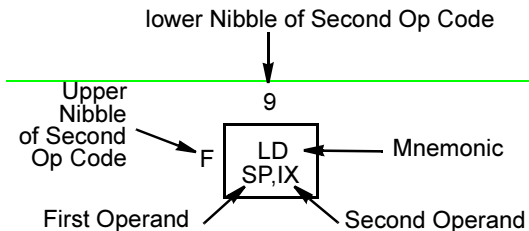




Table 150.Op Code Map (Second Op Code After 0EDH)

		LOWER NIBBLE (HEX)															
		0	1	2	3	4	5	6	7	8	9	A	B	C	D	E	F
UPPER NIBBLE (HEX)	0	IN0 B,(n)	OUT0 (n),B			TST A,B				IN0 C,(n)	OUT0 (n),C			TST A,C			
	1	IN0 D,(n)	OUT0 (n),D			TST A,D				IN0 E,(n)	OUT0 (n),E			TST A,E			
	2	IN0 H,(n)	OUT0 (n),H			TST A,H				IN0 L,(n)	OUT0 (n),L			TST A,L			
	3	IN0 F,(n)				TST A,(HL)				IN0 A,(n)	OUT0 (n),A			TST A,A			
	4	IN B,(C)	OUT (C),B	SBC HL,BC	LD (nn),BC	NEG	RETN	IM 0	LD I,A	IN C,(C)	OUT (C),C	ADC HL,BC	LD BC,(nn)	MLT BC	RETI		LD R,A
	5	IN D,(C)	OUT (C),D	SBC HL,DE	LD (nn),DE			IM 1	LD A,I	IN E,(C)	OUT (C),E	ADC HL,DE	LD DE,(nn)	MLT DE		IM 2	LD A,R
	6	IN H,(C)	OUT (C),H	SBC HL,HL	LD (nn),HL	TST A,n			RRD	IN L,(C)	OUT (C),L	ADC HL,HL	LD HL,(nn)	MLT HL			RLD
	7	IN F,(C)		SBC HL,SP	LD (nn),SP	TSTIO n		SLP		IN A,(C)	OUT (C),A	ADC HL,SP	LD SP,(nn)	MLT SP			
	8				OTIM									OTDM			
	9				OTIMR									OTDM R			
	A	LDI	CPI	INI	OUTI						LDD	CPD	IND	OUTD			
	B	LDIR	CPIR	INIR	OTIR						LDDR	CPDR	INDR	OTDR			
	C																
	D																
	E																
	F																

Notes:
n = 8-bit data
nn = 16-bit addr or data
d = signed 8-bit displacement

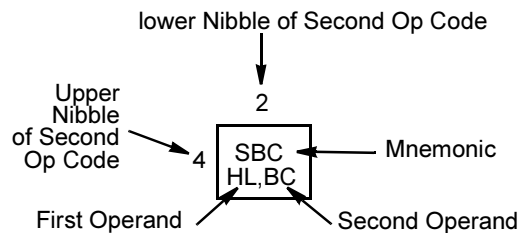




Table 151.Op Code Map (Second Op Code After 0FDH)

		LOWER NIBBLE (HEX)															
		0	1	2	3	4	5	6	7	8	9	A	B	C	D	E	F
UPPER NIBBLE (HEX)	0										ADD IY,BC						
	1										ADD IY,DE						
	2		LD IY,nn	LD (nn),IY	INC IY							ADD IY,IY	LD IY,(nn)	DEC IY			
	3					INC (IY±d)	DEC (IY±d)	LD (IY±d),n				ADD IY,SP					
	4							LD B, (IY±d)									LD C, (IY±d)
	5							LD D, (IY±d)									LD E, (IY±d)
	6							LD H, (IY±d)									LD L, (IY±d)
	7	LD (IY±d),B	LD (IY±d),C	LD (IY±d),D	LD (IY±d),E	LD (IY±d),H	LD (IY±d),L		LD (IY±d),A								LD A, (IY±d)
	8							ADD A, (IY±d)									ADC A, (IY±d)
	9							SUB A, (IY±d)									SBC A, (IY±d)
	A							AND A, (IY±d)									XOR A, (IY±d)
	B							OR A, (IY±d)									CP A, (IY±d)
	C													(Table 153)			
	D																
	E		POP IY		EX (SP),IY		PUSH IY					JP (IY)					
	F											LD SP,IY					
		0	1	2	3	4	5	6	7	8	9	A	B	C	D	E	F

Notes:
n = 8-bit data
nn = 16-bit addr or data
d = signed 8-bit displacement

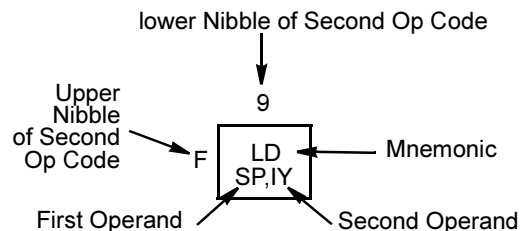




Table 152. Op Code Map (Fourth Byte, after 0DDH, 0CBH, and d)

		LOWER NIBBLE (HEX)																
		0	1	2	3	4	5	6	7	8	9	A	B	C	D	E	F	
UPPER NIBBLE (HEX)	0							RLC (IX±d)									RRC (IX±d)	
	1							RL (IX±d)									RR (IX±d)	
	2							SLA (IX±d)									SRA (IX±d)	
	3																SRL (IX±d)	
	4							BIT 0, (IX±d)									BIT 1, (IX±d)	
	5							BIT 2, (IX±d)									BIT 3, (IX±d)	
	6							BIT 4, (IX±d)									BIT 5, (IX±d)	
	7							BIT 6, (IX±d)									BIT 7, (IX±d)	
	8							RES 0, (IX±d)									RES 1, (IX±d)	
	9							RES 2, (IX±d)									RES 3, (IX±d)	
	A							RES 4, (IX±d)									RES 5, (IX±d)	
	B							RES 6, (IX±d)									RES 7, (IX±d)	
	C							SET 0, (IX±d)									SET 1, (IX±d)	
	D							SET 2, (IX±d)									SET 3, (IX±d)	
	E							SET 4, (IX±d)									SET 5, (IX±d)	
	F							SET 6, (IX±d)									SET 7, (IX±d)	
		0	1	2	3	4	5	6	7	8	9	A	B	C	D	E	F	

Note:
d = signed 8-bit displacement

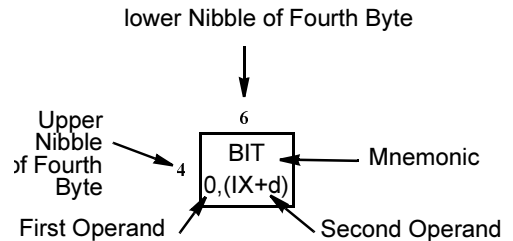
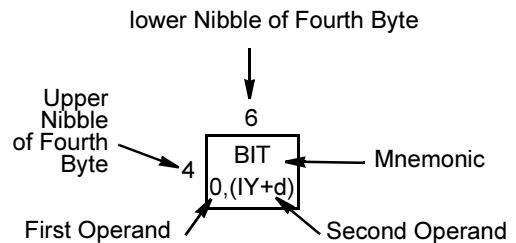




Table 153. Op Code Map (Fourth Byte, after 0FDH, 0CBH, and d)

		LOWER NIBBLE (HEX)																
		0	1	2	3	4	5	6	7	8	9	A	B	C	D	E	F	
UPPER NIBBLE (HEX)	0							RLC (IY±d)									RRC (IY±d)	
	1							RL (IY±d)									RR (IY±d)	
	2							SLA (IY±d)									SRA (IY±d)	
	3																SRL (IY±d)	
	4							BIT 0, (IY±d)									BIT 1, (IY±d)	
	5							BIT 2, (IY±d)									BIT 3, (IY±d)	
	6							BIT 4, (IY±d)									BIT 5, (IY±d)	
	7							BIT 6, (IY±d)									BIT 7, (IY±d)	
	8							RES 0, (IY±d)									RES 1, (IY±d)	
	9							RES 2, (IY±d)									RES 3, (IY±d)	
	A							RES 4, (IY±d)									RES 5, (IY±d)	
	B							RES 6, (IY±d)									RES 7, (IY±d)	
	C							SET 0, (IY±d)									SET 1, (IY±d)	
	D							SET 2, (IY±d)									SET 3, (IY±d)	
	E							SET 4, (IY±d)									SET 5, (IY±d)	
	F							SET 6, (IY±d)									SET 7, (IY±d)	
		0	1	2	3	4	5	6	7	8	9	A	B	C	D	E	F	

Note:
d = signed 8-bit displacement





Electrical Characteristics

Absolute Maximum Ratings

Table 154 summarizes Absolute Maximum Ratings for the Z80S183/Z80L183. Stresses greater than those listed under Absolute Maximum Ratings can cause permanent damage to the device. This rating is a stress rating only. Operation of the device at any condition outside those indicated in the operational sections of these specifications is not implied. Exposure to absolute maximum rating conditions for extended periods may affect device reliability.

Table 154. Absolute Maximum Ratings

Parameter	Min	Max	Units	Notes
Ambient Temperature under Bias	-40	+105	C	1
Storage Temperature	-65	+150	C	
Voltage on any Pin with Respect to V_{SS}	-0.7	$V_{DD} + 0.3$	V	2
Voltage on V_{DD} Pin with Respect to V_{SS}	-0.3	+7	V	
Maximum Current into V_{DD}		320	mA	

Notes:

1. Operating temperature is specified in DC Characteristics
2. This applies to all pins except where noted otherwise. Maximum current through a pin is specified below.

Standard Test Conditions

Unless otherwise noted, the DC and AC characteristics in this document are measured under standard test conditions that include the load circuit illustrated in Figure 16. This circuit closely mimics the loading presented by active devices such as memories and peripheral devices.

All voltages are referenced to the V_{SS} pins (ground, 0V). Positive current flows into the referenced pin.

All AC parameters assume a load capacitance of 100 pF. See “Characteristic Curves” on page 197 for the effect of lesser or greater total capacitance on the timing. AC timing measurements are referenced to the High and low voltage thresholds given in the DC specifications, as indicated in Figures 17 through 25.

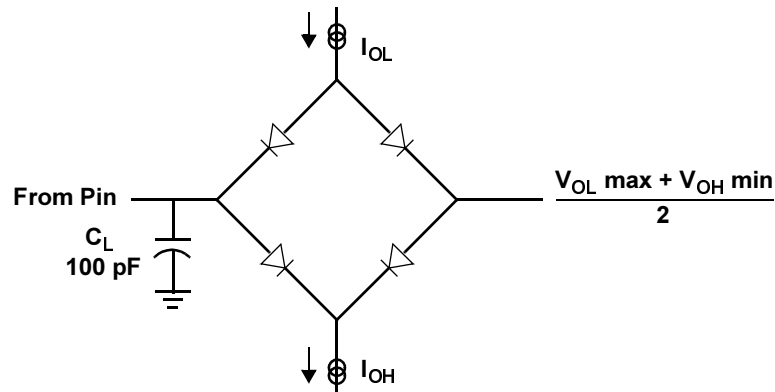


Figure 16. Test Condition Load Circuit

DC Characteristics

Table 155 describes the DC Characteristics of the Z80S183/Z80L183, for temperature ranges $T_A = 0^\circ\text{C}$ to $+70^\circ\text{C}$.

Table 155. DC Characteristics, $T_A = 0^\circ\text{C}$ to $+70^\circ\text{C}$

Symbol	Parameter	Condition	Min	Typ	Max	Units
V_{IH1}	Input High Voltage (RESET, EXTAL, NMI, INT0, INT1, INT2, OPMODE0, OPMODE1, PWRSWITCH, ZDA, ZCL)		$V_{DD}-0.6$		$V_{DD}+0.3$	V
V_{IH2}	Input High Voltage (Except RESET, EXTAL, $\overline{\text{NMI}}$, CKS, INT0, INT1, INT2, OPMODE0, OPMODE1, PWRSWITCH, ZDA, ZCL)		2.0		$V_{DD}+0.3$	V
V_{IH3}	Input High Voltage (CKS)		2.4		$V_{DD}+0.3$	V
V_{IL1}	Input Low Voltage (RESET, EXTAL, NMI, INT0, INT1, INT2, OPMODE0, OPMODE1, PWRSWITCH, ZDA, ZCL)		-0.3		0.4	V
V_{IL2}	Input Low Voltage (except RESET, EXTAL, NMI, INT0, INT1, INT2, OPMODE0, OPMODE1, PWRSWITCH, ZDA, ZCL)		-0.3		0.6	V



Table 155.DC Characteristics, $T_A = 0^\circ\text{C}$ to $+70^\circ\text{C}$ (Continued)

Symbol	Parameter	Condition	Min	Typ	Max	Units
V_{OH}	Output High Voltage	$I_{OH} = -200 \mu\text{A}$	2.4			V
		$I_{OH} = -20 \mu\text{A}$	$V_{DD}-1.2$			
V_{OL}	Output Low Voltage (CE_OUT)	$I_{OL} = 2.2 \text{ mA}$			0.45	V
V_{OL}	Output Low Voltage (all outputs except CE_OUT)	$I_{OL} = 16 \text{ mA}$			0.45	V
I_{IL}	Input Leakage (All inputs except XTAL, EXTAL, LFX TAL, LFEXTAL)	$V_{IN} = 0.5$ to $V_{DD}-0.5$			1.0	μA
I_{OL}	Output Leakage	$V_{IN} = 0.5$ to $V_{DD}-0.5$			1.0	μA
V_{ICR}	Comparator Input Common Mode Voltage Range					
I_{DD}	Supply Current (Normal Operation)	20 MHz $V_{DD} = 5V^1$		55	75	mA
		33 MHz $V_{DD} = 5.5V^1$		90	120	
		20 MHz $V_{DD} = 3.6V^1$		40	60	
I_{DD1}	Standby Current (SLEEP mode)	$V_{DD} = 5V^1$		350	1400	μA
		$V_{DD} = 3.6V^1$		130	250	
		$V_{DD} = 3.0V^1$		40	80	

Note:

1. $V_{IH} > V_{DD} - 1.0V$, $V_{IL} < 0.8V$, no outputs loaded

Table 156.AC Characteristics, $T_A = 0^\circ\text{C}$ to $+70^\circ\text{C}$, $C_L = 100 \text{ pF}$

No	Symbol	Parameter	20 MHz		33 MHz		Units
			Min	Max	Min	Max	
1	f_{OSC}	Crystal Frequency		20		33.33	MHz
2	t_{EXCYC}	External Clock Cycle Time (EXTAL)	50	DC	30	DC	ns
3	t_{EXH}	External Clock High Time (EXTAL)		15		10	ns
4	t_{EXL}	External Clock Low Time (EXTAL)		15		10	ns
5	t_{EXr}	External Clock Rise Time (EXTAL)		10		5	ns
6	t_{EXf}	External Clock Fall Time (EXTAL)		10		5	ns
7	t_{CHW}	PHI High Time	20		12		



Table 156.AC Characteristics, $T_A = 0^\circ\text{C}$ to $+70^\circ\text{C}$, $C_L = 100\text{ pF}$ (Continued)

No	Symbol	Parameter	20 MHz		33 MHz		Units
			Min	Max	Min	Max	
8	t_{CLW}	PHI Low Time	20		12		
9	t_{CYC}	PHI Cycle Time	50	DC	30	DC	ns
10	t_{RES}	$\overline{\text{RESET}}$ Setup to PHI Fall ²	10		8		ns
11	t_{REH}	$\overline{\text{RESET}}$ Hold from PHI Fall ²	5		5		ns
12	t_{Rf}	$\overline{\text{RESET}}$ Fall Time ¹		50		50	ms
13	t_{RL}	$\overline{\text{RESET}}$ Low Time	6		6		t_{CYC}
14	t_{Rr}	$\overline{\text{RESET}}$ Rise Time ¹		50		50	ms
15	t_{fr}	Input Fall Time (except EXTAL, $\overline{\text{RESET}}$) ¹		50		50	ns
16	t_{fr}	Input Rise Time (except EXTAL, $\overline{\text{RESET}}$) ¹		50		50	ns
17	t_{AV}	PHI Rise to Address Valid		15		5	ns
Memory Read							
18	t_{M1L}	PHI Rise to $\overline{M1}$ Fall		15		15	ns
19	t_{ASMR}	Address Valid to ($\overline{\text{ROMRD}}$ or $\overline{\text{RAMRD}}$) Fall	$t_{CHW}-5$		$t_{CHW}-10$		ns
20	t_{MRL}	PHI Fall to ($\overline{\text{ROMRD}}$ or $\overline{\text{RAMRD}}$) Fall		15		15	ns
21	t_{WTS}	$\overline{\text{WAIT}}$ Setup to PHI Fall ²	15		15		ns
22	t_{WTH}	$\overline{\text{WAIT}}$ Hold from PHI Fall ²	5		5		ns
23	t_{MRPL}	($\overline{\text{ROMRD}}$ or $\overline{\text{RAMRD}}$) Width Low	$2t_{CYC}-15$		$2t_{CYC}-10$		ns
24	t_{RDS}	Read Data Setup to PHI Rise ¹	15		15		ns
25	t_{M1H}	PHI Rise to $\overline{M1}$ Rise		15		15	ns
26	t_{RWH}	PHI Fall to ($\overline{\text{ROMRD}}$ or $\overline{\text{RAMRD}}$) Rise		15		15	ns
27	t_{RDH}	Read Data Hold from ($\overline{\text{ROMRD}}$ or $\overline{\text{RAMRD}}$) Rise ¹	0		0		ns
28	t_{MRHAC}	($\overline{\text{ROMRD}}$ or $\overline{\text{RAMRD}}$) Rise to Address Change	$t_{CLW}-10$		$t_{CLW}-10$		ns
Memory Write							
29	t_{ASMW}	Address Valid to ($\overline{\text{ROMWR}}$ or $\overline{\text{RAMWR}}$) Fall	$t_{CYC}-10$		$t_{CYC}-10$		
30	t_{WDV}	PHI Fall to Write Data Valid		20		20	ns
31	t_{MWDS}	Write Data Valid to ($\overline{\text{ROMWR}}$ or $\overline{\text{RAMWR}}$) Fall	$t_{CLW}-15$		$t_{CLW}-15$		ns
32	t_{MRL}	PHI Rise to ($\overline{\text{ROMWR}}$ or $\overline{\text{RAMWR}}$) Fall		15		15	ns



Table 156.AC Characteristics, $T_A = 0^\circ\text{C}$ to $+70^\circ\text{C}$, $C_L = 100\text{ pF}$ (Continued)

No	Symbol	Parameter	20 MHz		33 MHz		Units
			Min	Max	Min	Max	
33	t_{MWPL}	$\overline{\text{ROMWR}}$ or $\overline{\text{RAMWR}}$ Width Low	t_{CYC+} t_{CHW-10}		t_{CYC+} t_{CHW-10}		ns
34	t_{WRH}	PHI Fall to $\overline{\text{ROMWR}}$ or $\overline{\text{RAMWR}}$ Rise		15		15	ns
35	t_{WDH}	$\overline{\text{ROMWR}}$ or $\overline{\text{RAMWR}}$ Rise to Write Data Change	t_{CLW-20}		t_{CLW-12}		ns
36	t_{WDZ}	PHI Rise to Write Data Float		10		10	ns
37	t_{MWHAC}	$\overline{\text{ROMWR}}$ or $\overline{\text{RAMWR}}$ Rise to Address Change	t_{CLW-20}		t_{CLW-12}		ns
I/O Read							
38	t_{ASIR}	Address Valid to $\overline{\text{IORD}}$ Fall ($\overline{\text{IOC}}=1$)	t_{CHW-10}		t_{CHW-10}		
39		Address Valid to $\overline{\text{IORD}}$ Fall ($\overline{\text{IOC}}=0$)	t_{CYC-10}		t_{CYC-10}		
40	t_{IRL}	PHI Fall to $\overline{\text{IORD}}$ Fall ($\overline{\text{IOC}}=1$)		15		15	ns
41		PHI Rise to $\overline{\text{IORD}}$ Fall ($\overline{\text{IOC}}=0$)		15		15	ns
42	t_{IRPL}	$\overline{\text{IORD}}$ Width Low ($\overline{\text{IOC}}=1$)	$3t_{CYC-}$ 15		$3t_{CYC-}$ 10		
43		$\overline{\text{IORD}}$ Width Low ($\overline{\text{IOC}}=0$)	$2t_{CYC+}$ t_{CHW-15}		$2t_{CYC+}$ t_{CHW-10}		
44	t_{RWH}	PHI Fall to $\overline{\text{IORD}}$ Rise		15		15	ns
45	t_{RDH}	Read Data Hold from $\overline{\text{IORD}}$ Rise ¹	0		0		ns
46	t_{IRHAC}	$\overline{\text{IORD}}$ Rise to Address Change	t_{CLW-20}		t_{CLW-12}		ns
I/O Write							
47	t_{ASOW}	Address Valid to $\overline{\text{IOWR}}$ Fall	t_{CYC-10}		t_{CYC-10}		
48	t_{OWDS}	Write Data Valid to $\overline{\text{IOWR}}$ Fall	t_{CLW-10}		t_{CLW-10}		
49	t_{WRL}	PHI Rise to $\overline{\text{IOWR}}$ Fall		15		15	ns
50	t_{OWPL}	$\overline{\text{IOWR}}$ Width Low	$2t_{CYC+}$ t_{CHW-15}		$2t_{CYC+}$ t_{CHW-10}		ns
51	t_{WRH}	PHI Fall to $\overline{\text{IOWR}}$ Rise		15		15	ns
52	t_{WDH}	$\overline{\text{IOWR}}$ Rise to Write Data Change	t_{CLW-20}		t_{CLW-12}		ns
53	t_{OWHAC}	$\overline{\text{IOWR}}$ Rise to Address Change	t_{CLW-20}		t_{CLW-12}		ns
Bus Exchange Timing							
54	t_{BRS}	$\overline{\text{BUSREQ}}$ Setup to PHI Fall ²	10		10		ns



Table 156.AC Characteristics, $T_A = 0^\circ\text{C}$ to $+70^\circ\text{C}$, $C_L = 100\text{ pF}$ (Continued)

No	Symbol	Parameter	20 MHz		33 MHz		Units
			Min	Max	Min	Max	
55	t_{BRH}	$\overline{\text{BUSREQ}}$ Hold after PHI Fall ²	10		10		ns
56	t_{RLAL}	$\overline{\text{BUSREQ}}$ Low to $\overline{\text{BUSACK}}$ Low	t_{CYC} $+t_{CLW}$		t_{CYC} $+t_{CLW}$		
57	t_{BAL}	PHI Rise to $\overline{\text{BUSACK}}$ Fall		15		15	ns
58	t_{BZ}	PHI Rise to Bus Float		10		10	ns
59	t_{RHAH}	$\overline{\text{BUSREQ}}$ High to $\overline{\text{BUSACK}}$ High	1	2	1	2	t_{CYC}
60	t_{BAH}	PHI Fall to $\overline{\text{BUSACK}}$ Rise		15		15	ns
61	t_{BV}	PHI Rise to Bus Valid		30		20	ns
Interrupt Timing							
62	t_{INTS}	$\overline{\text{INT0}}$ Setup to PHI Fall ²	15		15		ns
63	t_{INTH}	$\overline{\text{INT0}}$ Hold after PHI Fall ²	5		5		ns
64	t_{INTS}	$\overline{\text{INT1-2}}$ Setup to PHI Fall (level sense) ²	15		15		ns
65	t_{INTH}	$\overline{\text{INT1-2}}$ Hold after PHI Fall (level sense) ²	5		5		ns
66	t_{INTL}	$\overline{\text{INT1-2}}$ Pulse Width (edge sense) ¹	15		15		ns
67	t_{NMIL}	$\overline{\text{NMI}}$ Width low ¹	35		25		ns
DMA Timing							
68	t_{DRQS}	$\overline{\text{DREQ0-1}}$ Setup to PHI Rise (level sense) ²	15		15		ns
69	t_{DRQH}	$\overline{\text{DREQ0-1}}$ Hold from PHI Rise (level sense) ²	5		5		ns
70	t_{DRQL}	$\overline{\text{DREQ0-1}}$ Low Width (edge sense) ¹	t_{CYC}		t_{CYC}		
71	t_{DRQH}	$\overline{\text{DREQ0-1}}$ High Width (edge sense) ¹	t_{CYC}		t_{CYC}		



Table 156.AC Characteristics, $T_A = 0^\circ\text{C}$ to $+70^\circ\text{C}$, $C_L = 100\text{ pF}$ (Continued)

No	Symbol	Parameter	20 MHz		33 MHz		Units
			Min	Max	Min	Max	
CSI/O Timing							
72	t_{STDI}	CKS Low to TXS Valid		10		10	ns
73	t_{SRSI}	RXS Valid to CKS high ¹	15		15		ns
74	t_{SRHI}	CKS High to RXS Invalid ¹	5		5		ns

These timing requirements must be met to assure correct device operation.

These Setup and Hold times must be met to guarantee recognition at the clock edge in question. If they are not met with respect to a clock edge, the Z80S183/Z80L183 may or may not recognize the new state of the signal at that edge. If it does not, and the signal remains in the same state, the Z80S183/Z80L183 recognizes the new state 1 clock period later.

AC Characteristics

Table 156 describes the AC Characteristics of the Z80S183/Z80L183 for the temperature range of $T_A = 0^\circ\text{C}$ to $+70^\circ\text{C}$ and for the parameters described in Figures 17 through 25.

Capacitance

The capacitance of each pin on the Z80S183/Z80L183 depends on whether the pin is an input, output, or both. The total capacitance associated with outputs affects their AC characteristics (switching time) as described in “Characteristic Curves” on page 197.

Input	5 pF
Output	10 pF
I/O	15 pF



Timing Diagrams

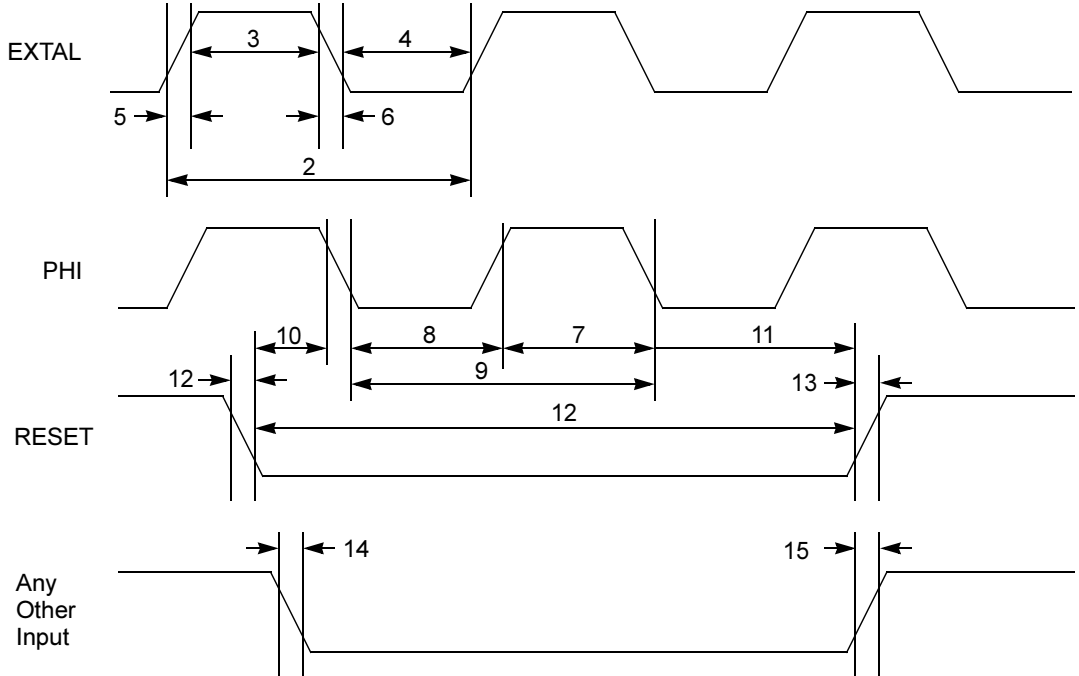


Figure 17. Basic Timing

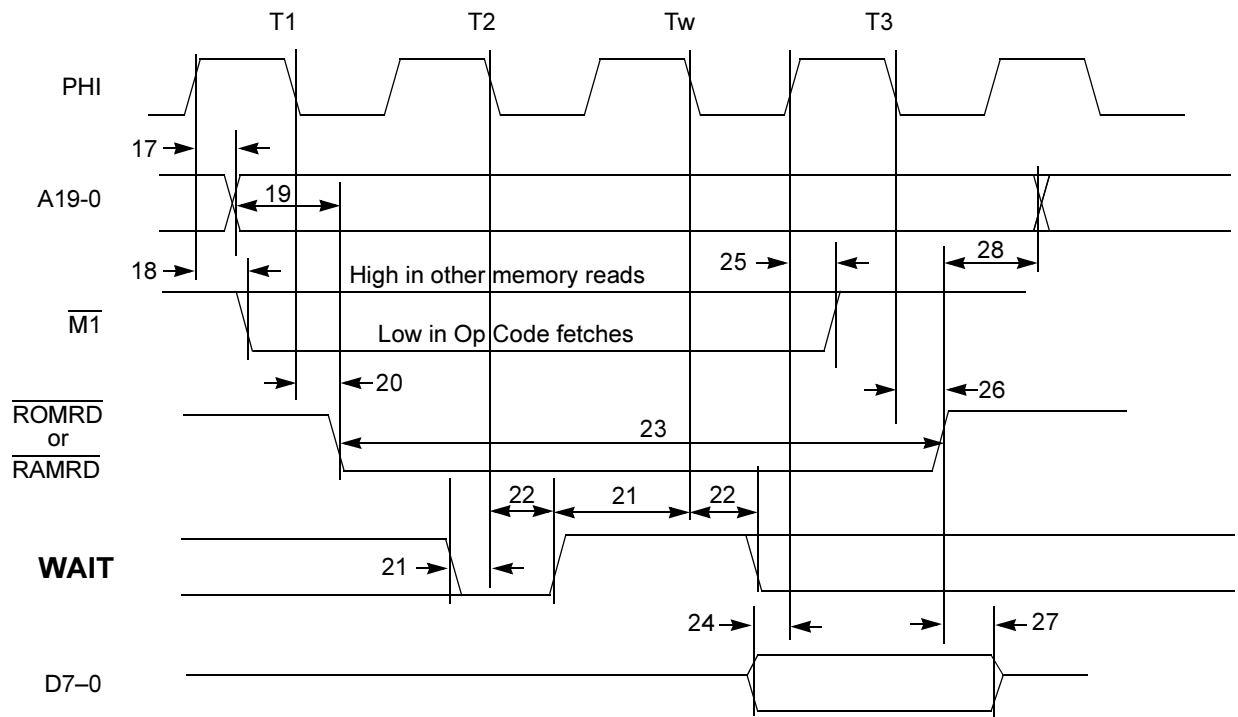


Figure 18. Memory Read Timing (One Wait State)

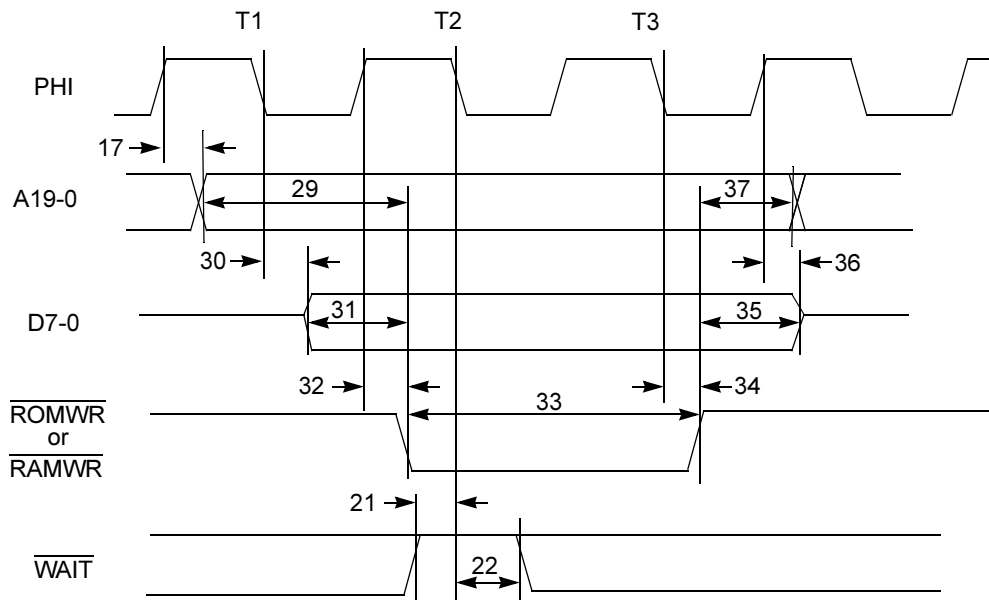


Figure 19. Memory Write Timing (No Wait States)

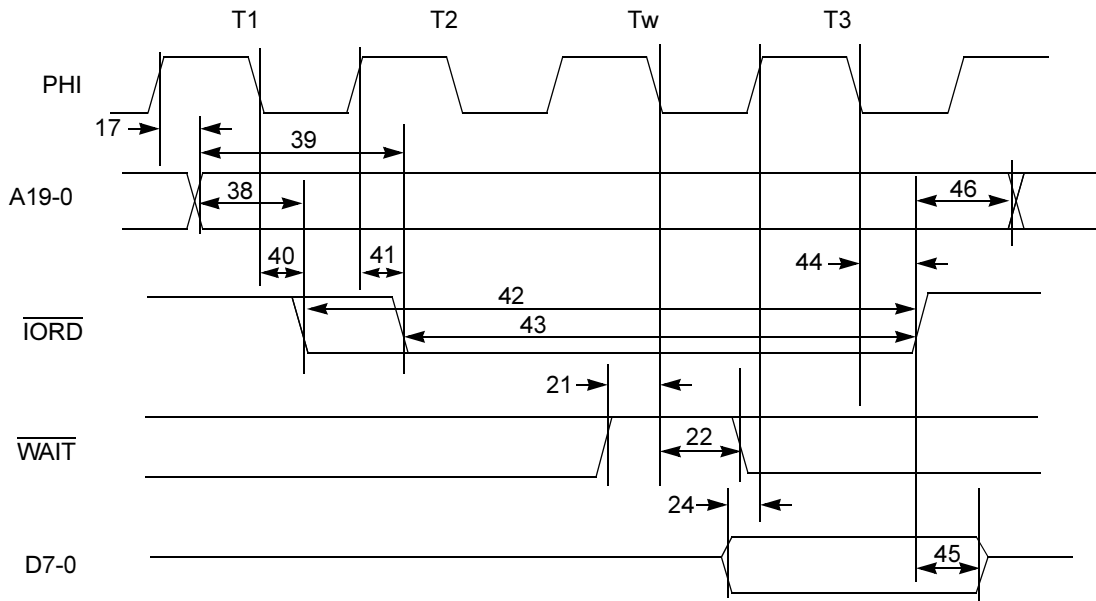


Figure 20. I/O Read Timing (Auto Wait State)

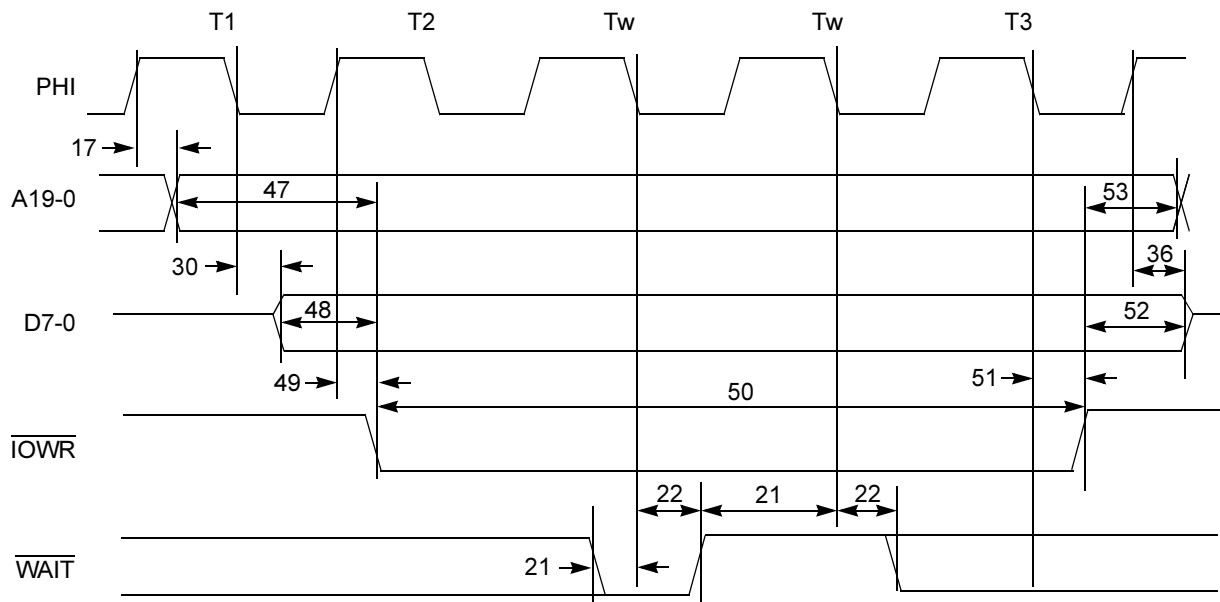
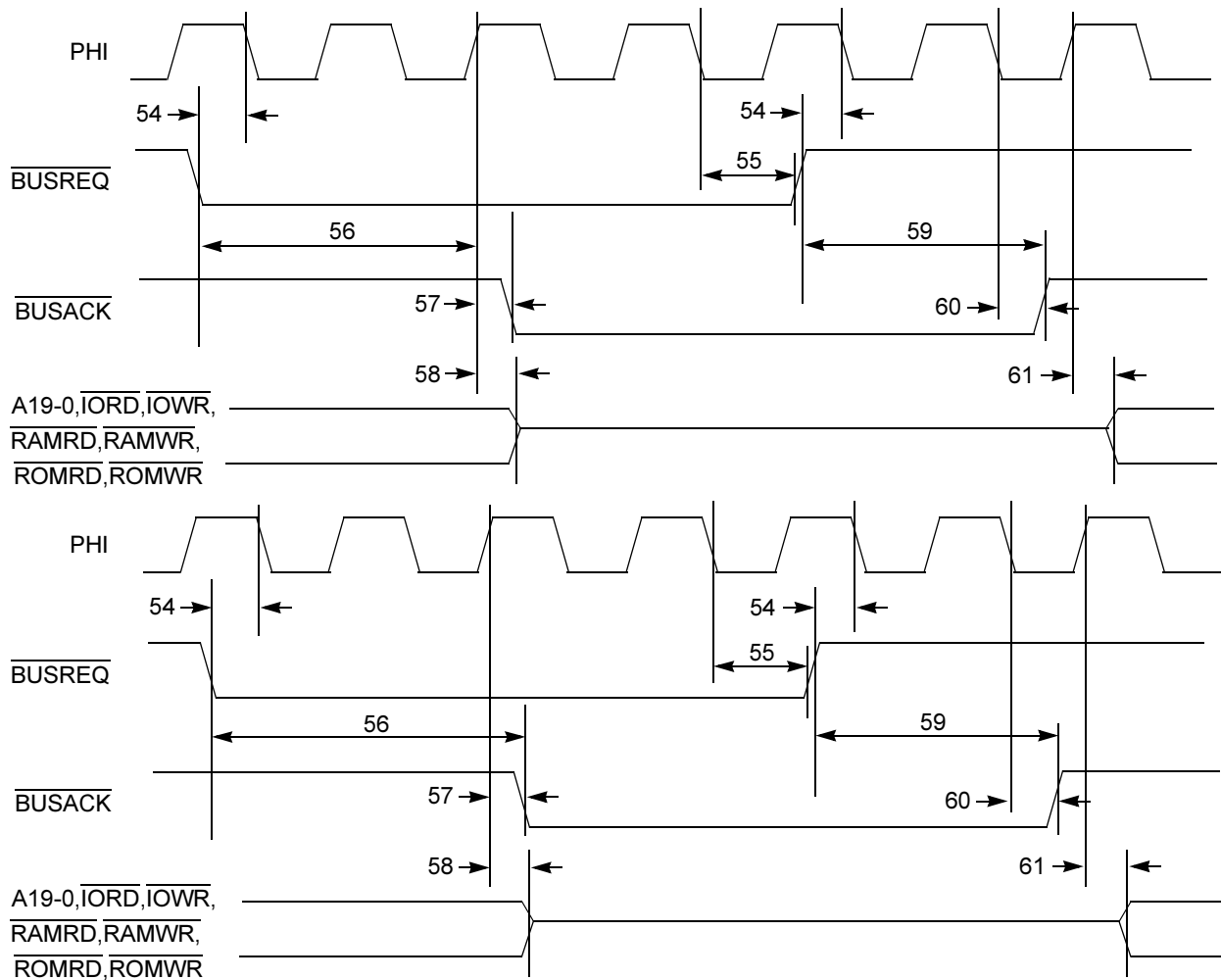


Figure 21. I/O Write Timing (Auto+One Wait State)



Notes:

1. $\overline{\text{BUSREQ}}$ is a conditional state of the OPMODE0 and OPMODE1.
2. $\overline{\text{BUSACK}}$ is strictly shown to indicate when the MPU address and Data Bus have entered their High impedance state.
3. $\overline{\text{BUSACK}}$ is not pinned outside of the Z80S183/Z80L183.

Figure 22. Bus Exchange Timing

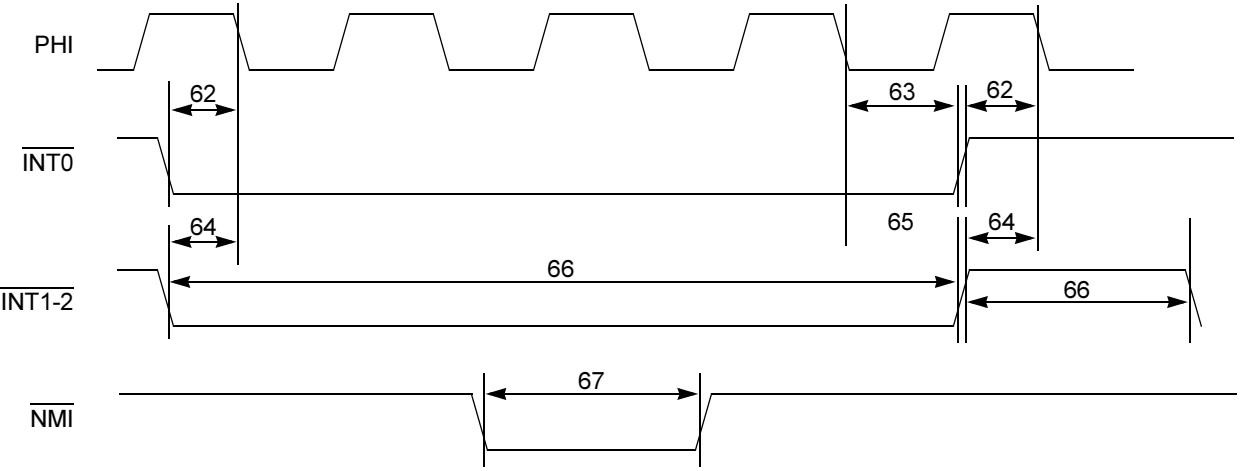


Figure 23. Interrupt Timing

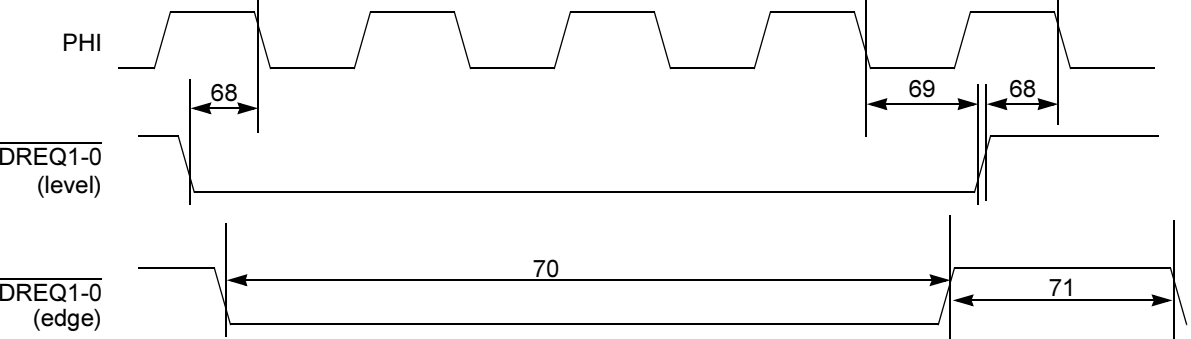


Figure 24. DMA Timing

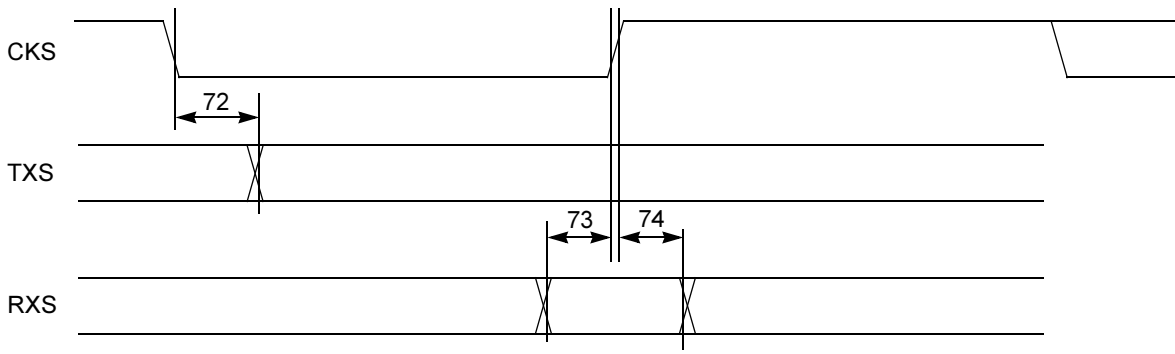


Figure 25. CSI/O Timing



Analog-to-Digital and Digital-to-Analog Specifications

10-Bit Analog-to-Digital Converter

AVDD - AGND = 3.3V \pm 10% or 5.0V \pm 10%, Ta = 0°C to +70°C. Reference voltage is programmable and can be either internal, external or equal to AVDD.

Parameter	Min	Typ	Max	Units
Resolution		10		bit
Conversion Time (PHI = 33 MHz)		2		μ s
Reference Input, Vref	AGND +2V	2.6V	AVDD	V
ADC Analog Input				
Input High Voltage, VIH			Vref	V
Input Low Voltage, VIL	AGND			V
Integral nonlinearity		\pm 4		LSB
Differential Nonlinearity		\pm 0.5		LSB
Accuracy (over temperature)		8		bit
Source Impedance			4	KOhm
Valid Input Signal Range	AGND		AVDD	V



10-Bit Digital-to-Analog Converter

AVDD - AGND = 3.3V ±10% or 5.0V ± 10%, Ta = 0°C to +70°C. Reference voltage is programmable and can be either internal, external or equal to AVDD.

Parameter	Min	Typ	Max	Units
Resolution		10		bit
Conversion Time (PHI = 33 MHz)		1		µs
Reference Input, Vref	AGND +2V	2.6V	AVDD	V
DAC Analog Output				
Output High Voltage, VIH			AVDD	V
Output Low Voltage, VIL	AGND			V
Integral nonlinearity		±4		LSB
Differential Nonlinearity		±0.5		LSB
Monotonicity (over temperature)		8		bit
Load Capacitance			33	pF
Load Impedance	10		4	KOhm
Valid Output Signal Range	AGND		AVDD	V



Characteristic Curves

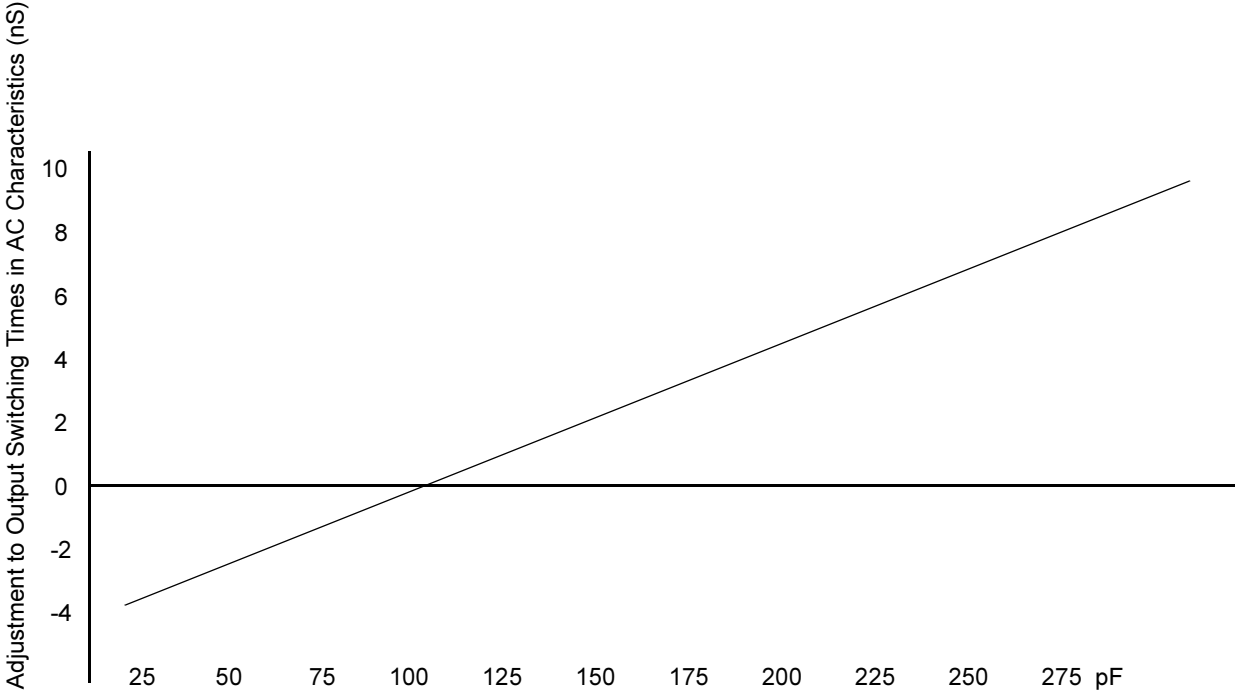


Figure 26. Capacitive Load C_L vs. Switching Time



Application Notes/Development Tools

ZiLOG Debug Interface

The Z80S183/Z80L183 includes this serial interface to allow ZiLOG and Third-party development systems and emulators to control and monitor the processor and other on-chip resources, during application development and debugging. This 2-wire interface is intended to be a standard feature of ZiLOG processors, obviating the need for expensive and cumbersome pods and clip-on emulation equipment.

To use the ZiLOG Developer Studio (ZDS) or equivalent equipment with an application or target board, include a standard right angle, 0.1 in spaced, 0.025 in square post, six pin header on the board (Berg P/N 75867-131 or equivalent). Connect the ZCL and ZDA pins of the Z80S183/Z80L183 to pins 4 and 6 of this header as illustrated in Figure 27, which is a top view.

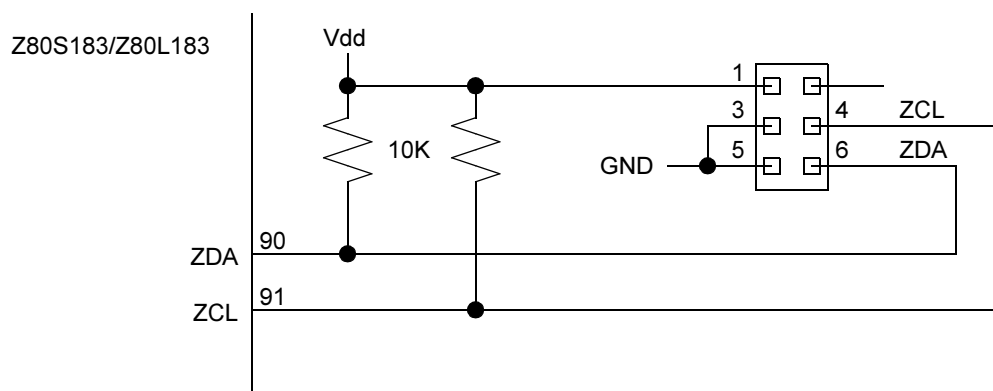


Figure 27. ZDI Connector on Target Board



Part Number Description

ZiLOG part numbers consist of a number of components.

Example:

Part number Z80S183 AZ 033 SCR4567, a Z80S183, 33 MHz, VQFP, 0 to 70 C, Plastic Standard Flow, is made up of the codes described in the following table.

Z	ZiLOG prefix
80S183	Product Number
AZ	Package
033	Speed
S	Temperature
C	Environmental Flow
R	ROM Code

ROM 4567 is a standard part available to all customers.



ROM Code Submission

ROM Code Submission Instructions

Outlook Public Folders: All Public Folders: ZiLOG Corporate:
ROM Submission Forms: Z8S183-4.2.

ZiLOG Z8S183 Code Submission Form

To submit a ROM Code:

1. Complete ROM Code submission form.
2. Send this form and the hex file (in Intel Hex format) as separate attachments in an E-mail to: codes@zilog.com.

Company Name:	Disty/Subcon:	Date:
_____	_____	_____
ZiLOG P/N:	Package Code Legend:	

Checksum	Rev. (input by ZiLOG)	

Company P/N:	File P Input: (input by ZiLOG)	
_____	_____	
Expected Annual volume in Units: _____		
Application:		

SPECIAL INSTRUCTIONS: (Optional)

ZiLOG Sales Office (or your City and Country):

Send ROM Verification to:

Phone:	E-mail:	Fax:
_____	_____	_____

Topmark of Parts

To submit a topmark:

1. Check box for default or custom for the preferred package.
2. On default, '9999' indicates ROM number assigned to part by ZiLOG.



3. When custom topmark is selected, enter characters in the space provided. ZiLOG adds the date code (XXYY BB) as bottom line and align as shown on default topmark.
4. When you do not use all the lines on a custom topmark, you must leave the top line blank.
5. For TM (Trademark) symbol, place lowercase 'tm'. For © (Copyright) symbol, place lowercase 'c' followed by a space.
6. For custom logo, attach BMP, JPEG, or GIF file to this form.
7. To use **ZiLOG** in a custom topmark, type: pZiLOG. The p is a placemark for the ZiLOG name.

Document Information

Change Log

Rev	Date	Purpose	By
00	09/13/99	Original issue	ggamble
01	12/01/99	Add preliminary test data and errata	dzattiero
02	09/28/00	Reformat; minor corrections	ggamble
03	02/28/01	Add ADC and DAC electrical specifications	dzattiero